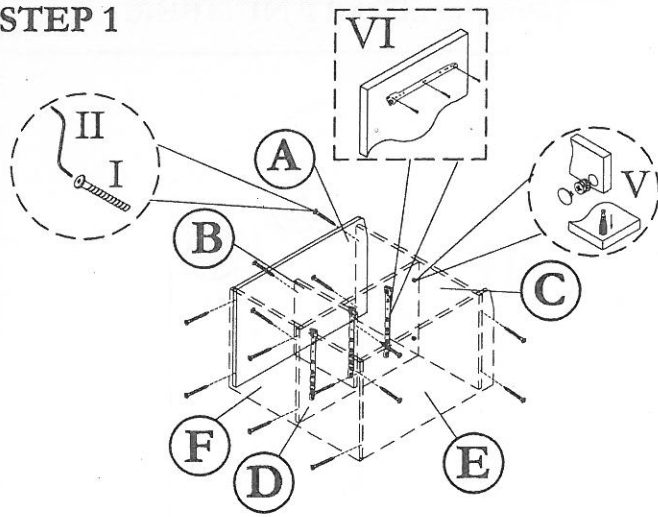
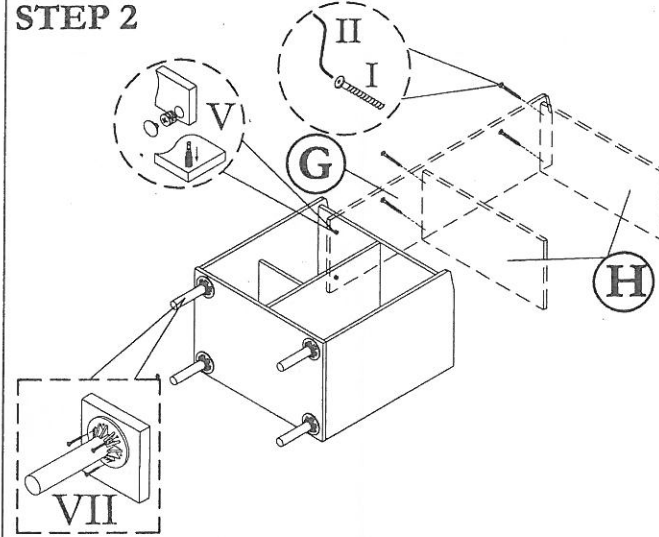


Before you begin, please follow assembly instruction carefully.
Then follow them step by step.

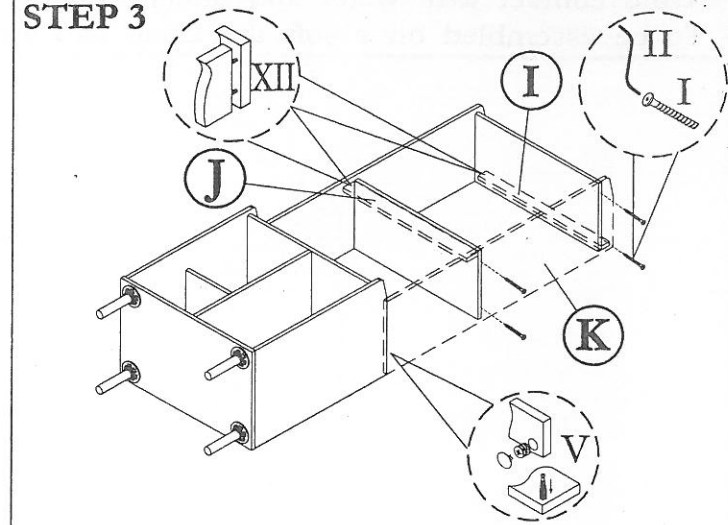
STEP 1



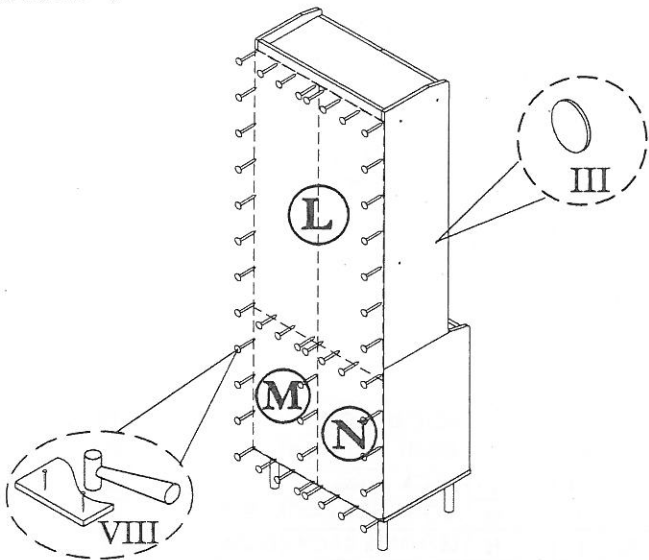
STEP 2



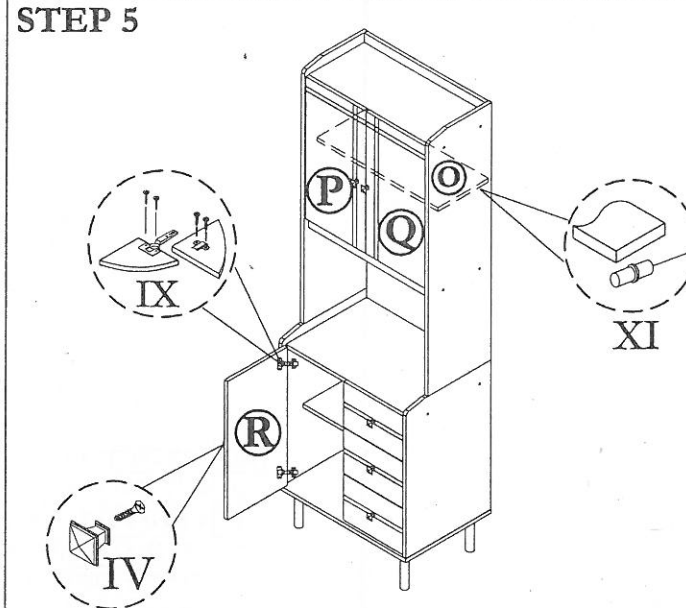
STEP 3



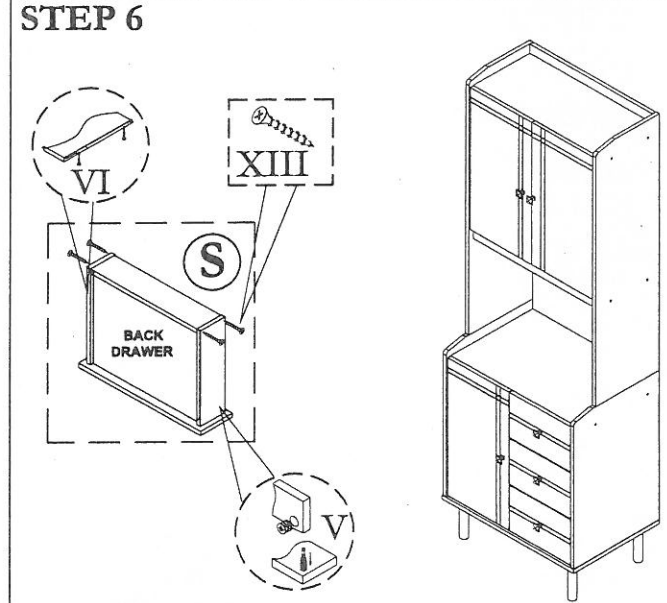
STEP 4



STEP 5



STEP 6



HARDWARE LIST

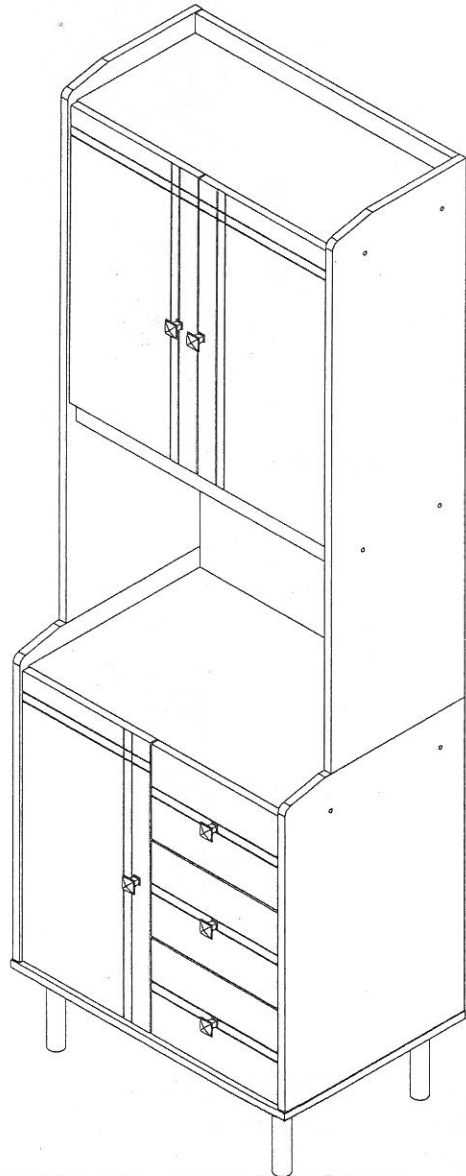
NO	DESCRIPTION	QTY
I	JCBCW SCREW M6.3 x 50	22pcs
II	M4 ALLEN KEY	1pc
III	STICKER	14pcs
IV	HANDLE & SCREW M4 x 22	6sets

V	Q-FIT	18sets
VI	12" DRAWER SLIDER & SCREW M3.5 x 16	3sets
VII	150MM P.LEG & SCREW M3.5 x 16	4sets
VIII	NAIL	60pcs
IX	HINGE (C) & SCREW M3.5 x 16	6sets
X	M8 x 32 CHIPBOARD SCREW	12pcs

XI	SHELF SUPPORT	4pcs
XII	M8 x 30 WOOD DOWEL	6pcs

CAUTION:

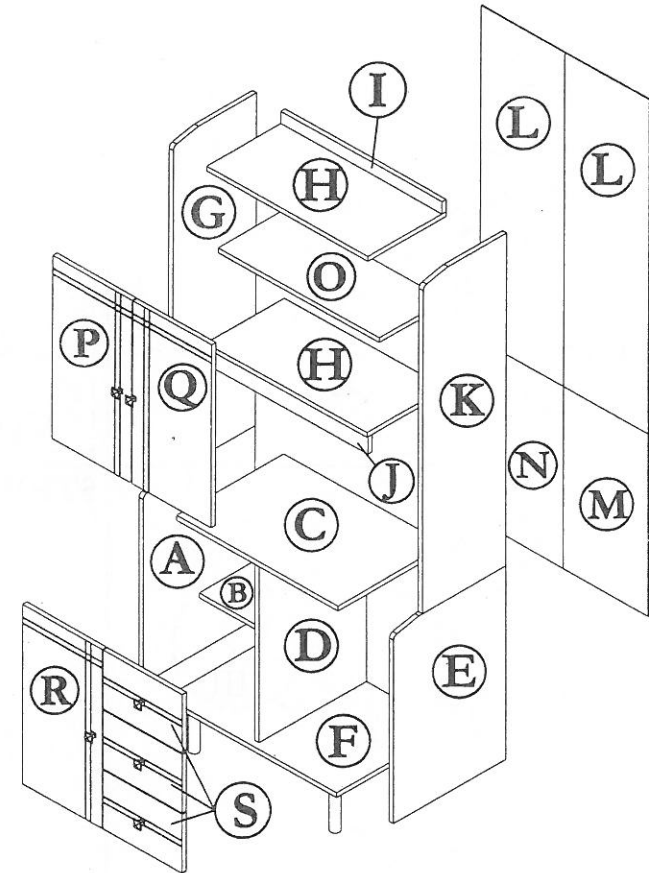
To clean use soft, dry cloth. Do not use detergent or chemicals
Avoid contact with water and direct sunlight.
To be assembled on a soft, dry, clean and smooth surface.



COMPLETE SET

ORDERING REPAIR PARTS

In order to obtain smooth and rapid service when ordering repair parts,
please give full attention to the following of PART NUMBER.



NO	DESCRIPTION	QTY
A	LEFT SIDE (Bottom)	01
B	CENTRE SHELF (Bottom)	01
C	UPPER SHELF (Bottom)	01
D	CENTRE VERTICAL (Bottom)	01
E	RIGHT SIDE (Bottom)	01
F	LOWEST SHELF	01
G	LEFT SIDE (Top)	01
H	SHELF (Top)	02
I	BACK SUPPORT	01
J	SHELF SUPPORT (Top)	01

NO	DESCRIPTION	QTY
K	RIGHT SIDE (Top)	01
L	BACK (Top)	02
M	RIGHT SIDE BACK (Bottom)	01
N	LEFT SIDE BACK (Bottom)	01
O	MOVABLE SHELF	01
P	LEFT SIDE DOOR (Top)	01
Q	RIGHT SIDE DOOR (Top)	01
R	DOOR (Bottom)	01
S	DRAWER FACE	03