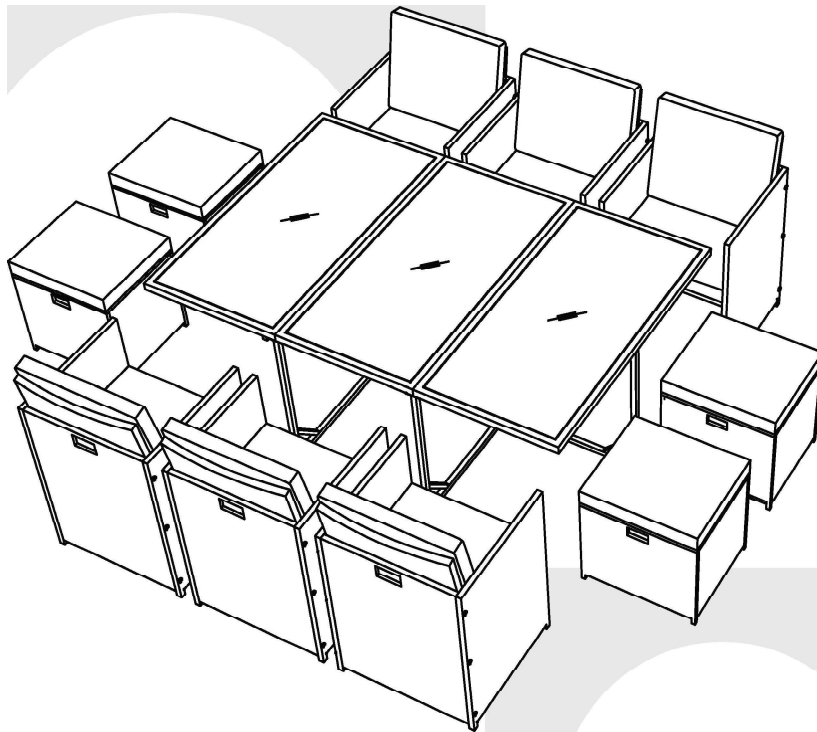


# Installation & Assembly



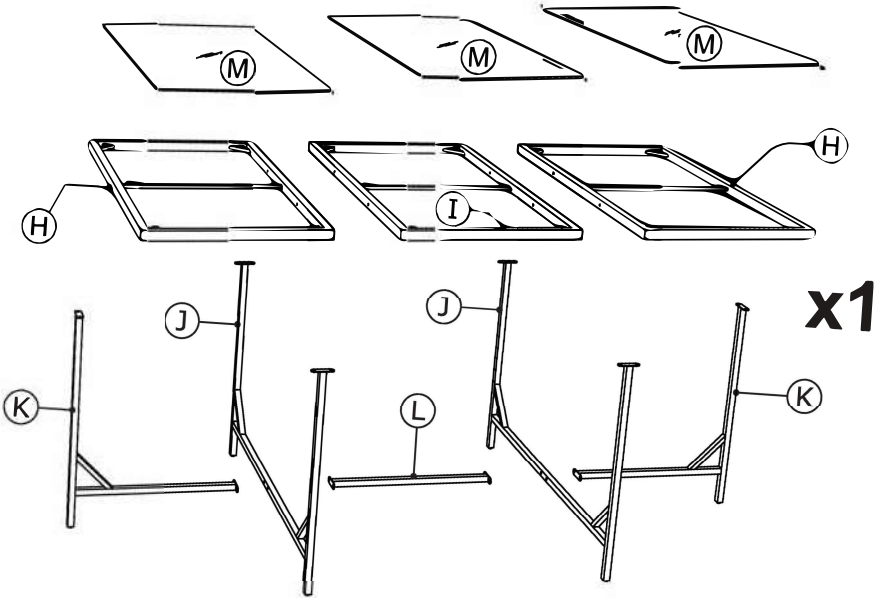
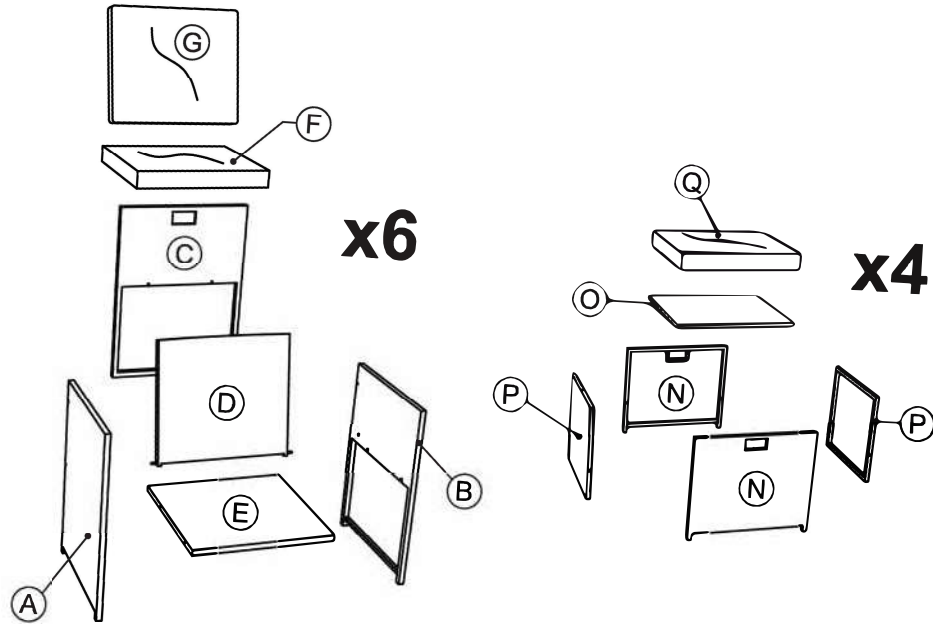
## 11-Piece Patio Furniture Set

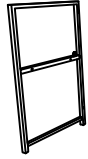
THIS INSTRUCTION BOOKLET CONTAINS **IMPORTANT** SAFETY INFORMATION.  
PLEASE READ AND KEEP FOR FUTURE REFERENCE.



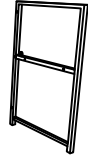
## Before You Start

- ⚠ Please read all instructions carefully.
- ⚠ Retain instructions for future reference.
- ⚠ Separate and count all parts and hardware.
- ⚠ Read through each step carefully and follow the proper order.
- ⚠ We recommend that, where possible, all items are assembled near to the area in which they will be placed in use, to avoid moving the product unnecessarily once assembled.
- ⚠ Always place the product on a flat, steady and stable surface.
- ⚠ Keep all small parts and packaging materials for this product away from babies and children as they potentially pose a serious choking hazard.

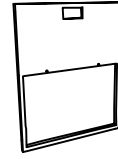




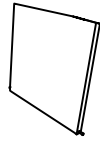
(A) x6



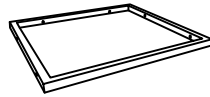
(B) x6



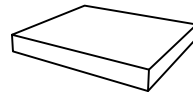
(C) x6



(D) x6



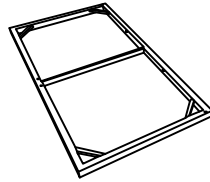
(E) x6



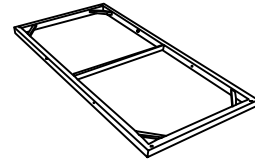
(F) x6



(G) x6



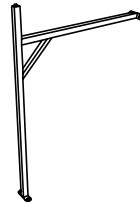
(H) x2



(I) x2



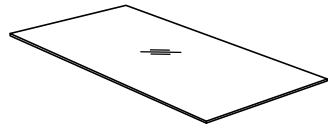
(J) x2



(K) x2

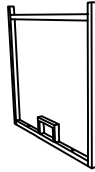


(L) x1



1054x510x5 mm

Ⓜ ×3



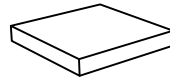
Ⓝ ×8



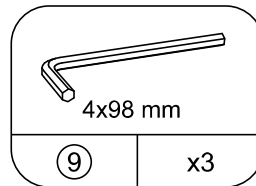
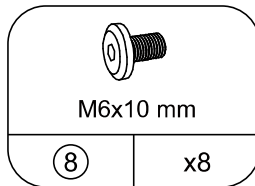
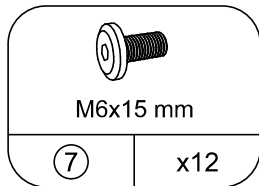
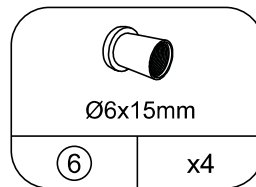
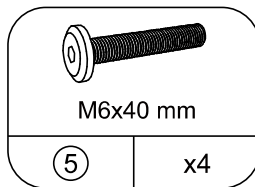
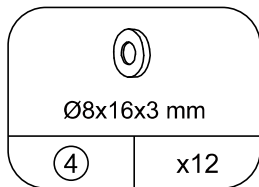
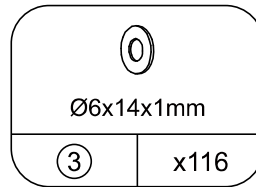
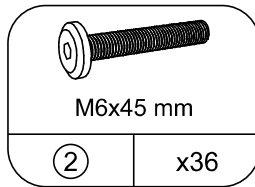
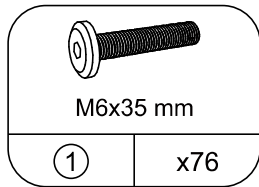
Ⓞ ×4



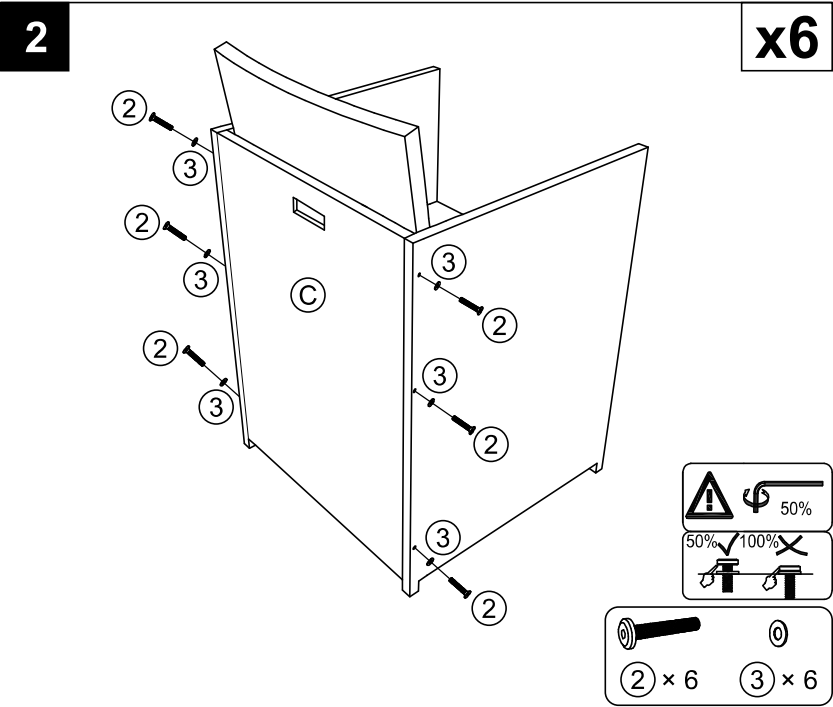
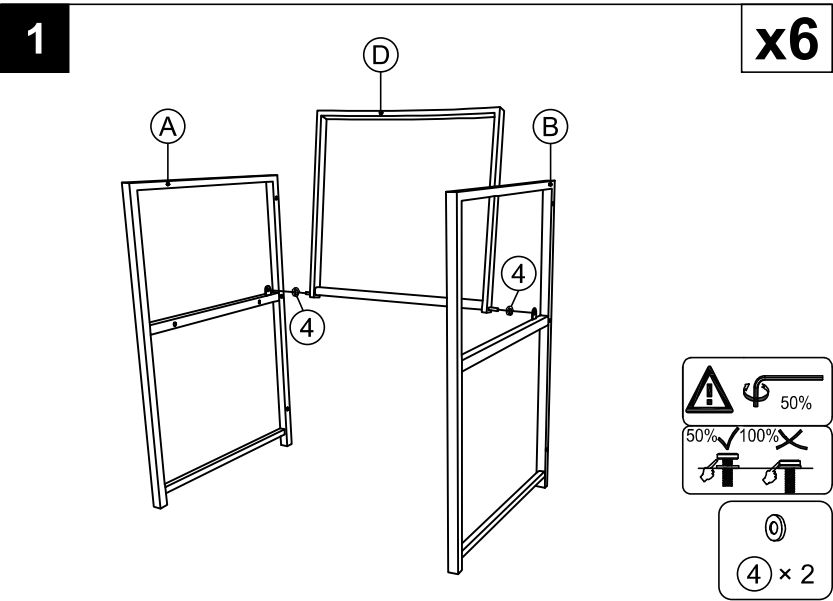
Ⓟ ×8



Ⓠ ×4

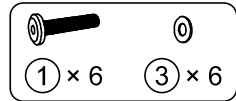
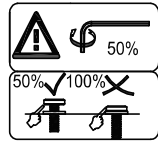
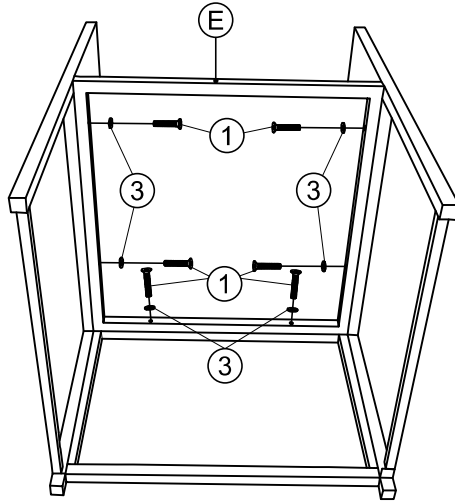


Allen Key



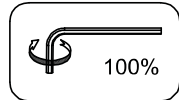
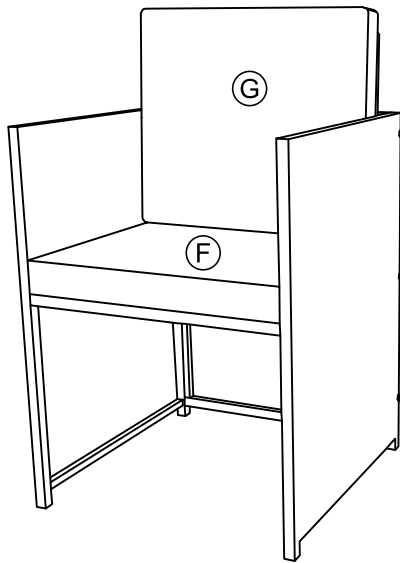
**3**

**x6**

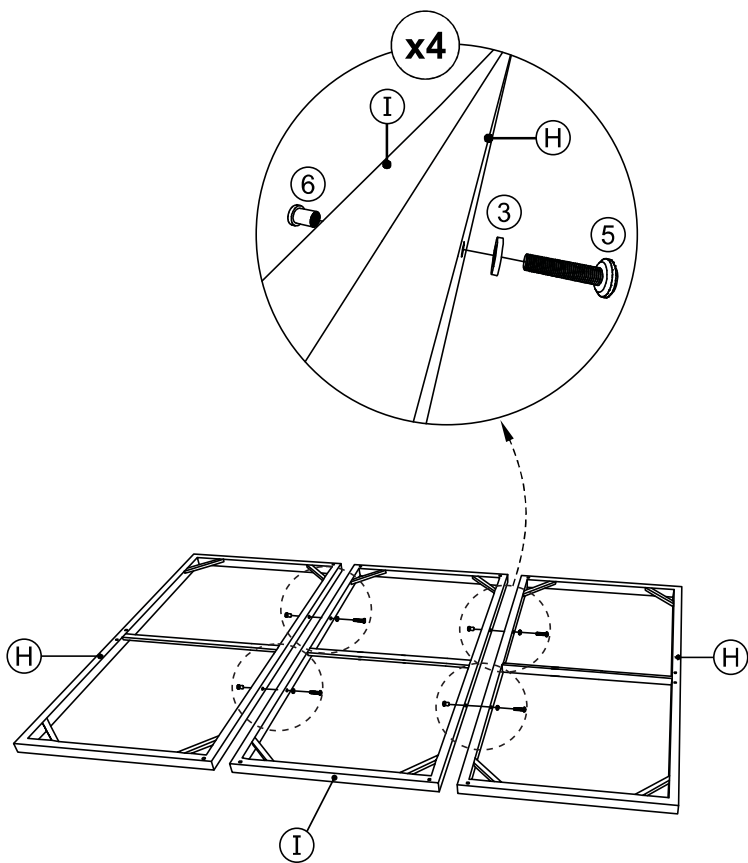


**4**

**x6**



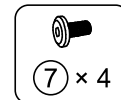
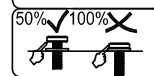
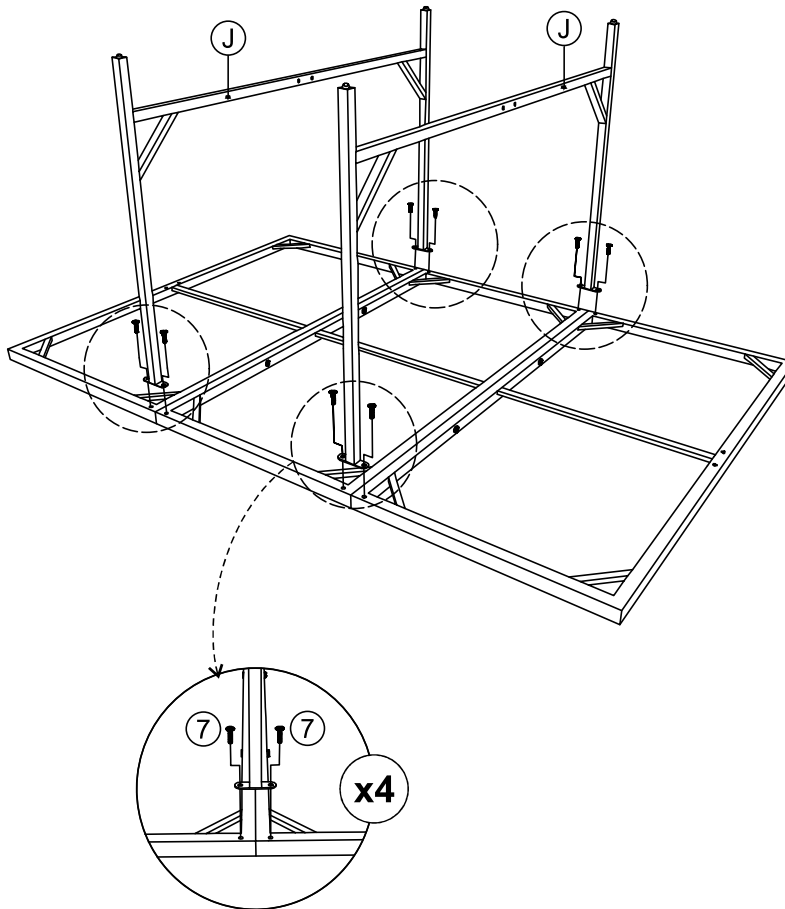
5



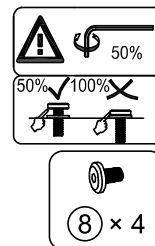
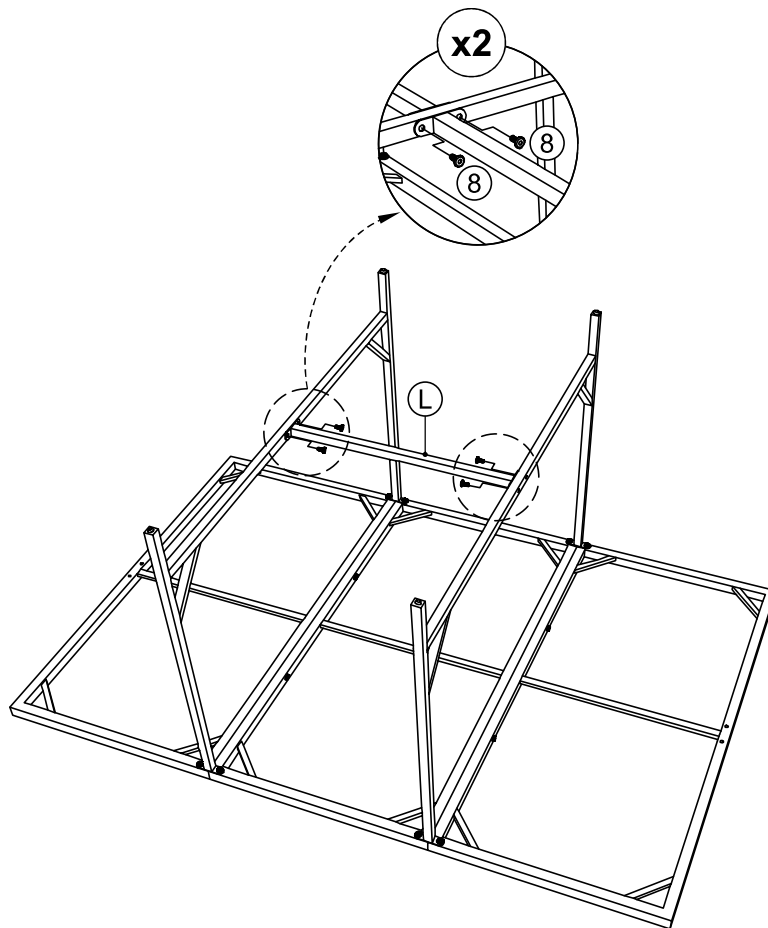
⚠ 50%  
50% ✓ 100% ✗

③ × 4    ⑤ × 4    ⑥ × 4

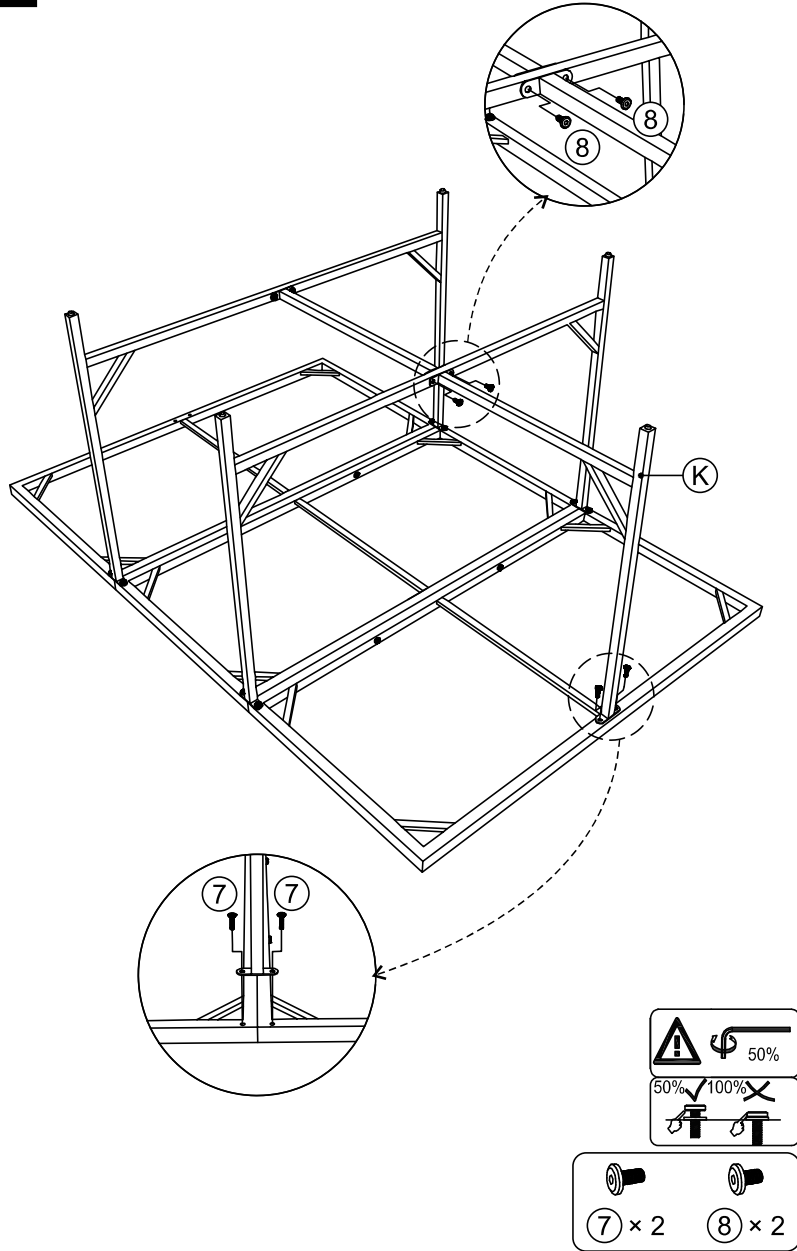
6



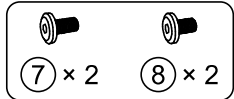
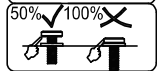
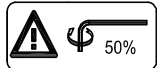
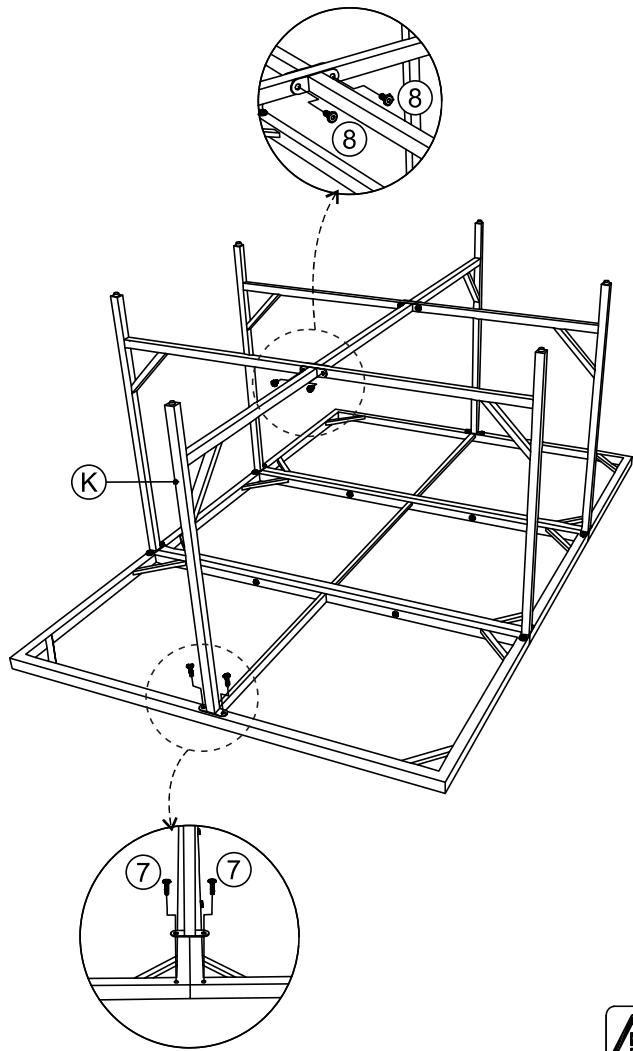
7



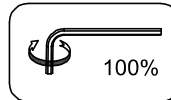
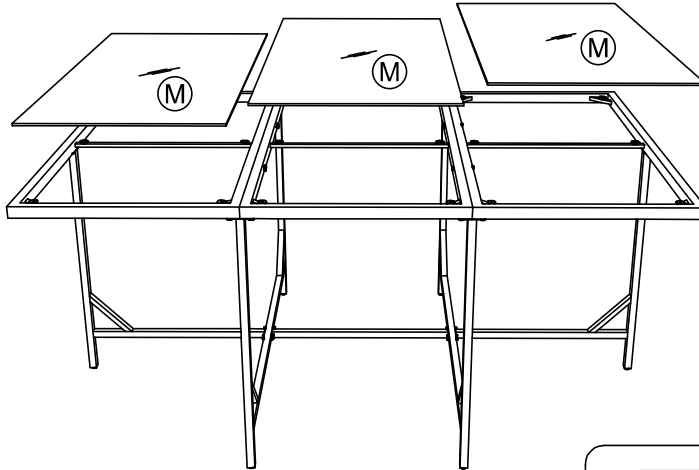
8



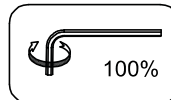
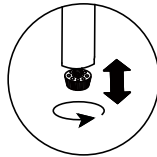
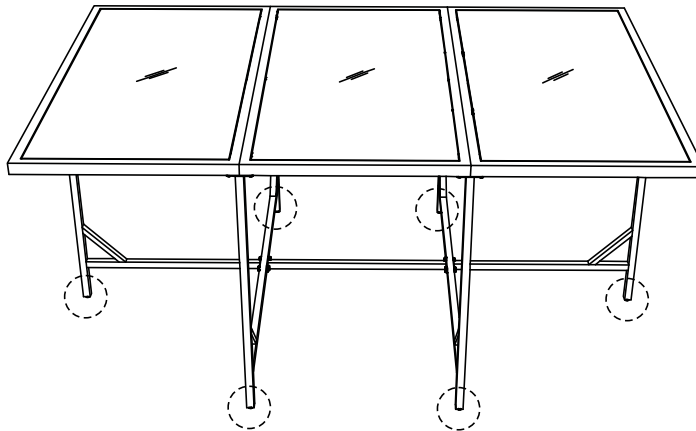
9



10

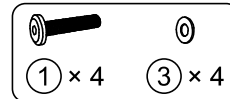
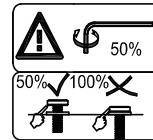
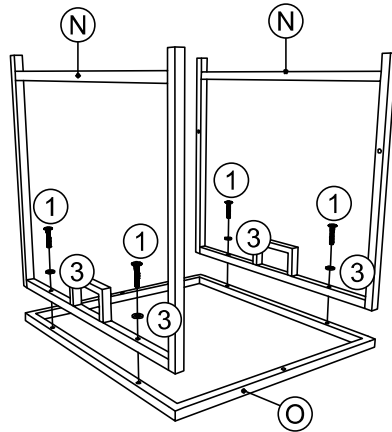


11



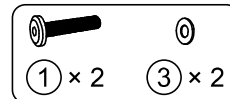
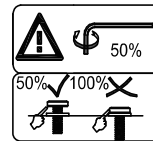
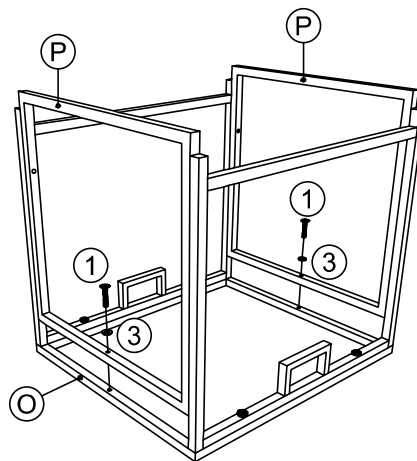
**12**

**x4**



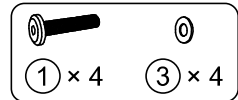
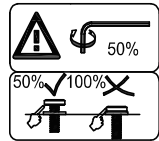
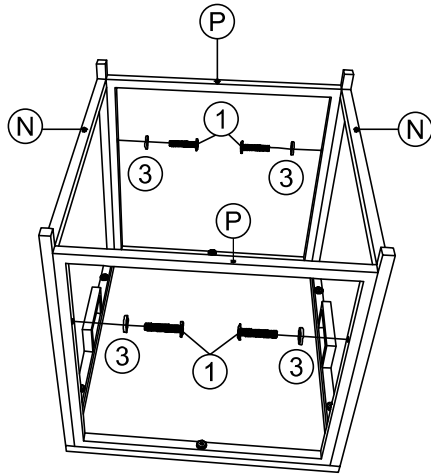
**13**

**x4**



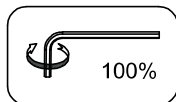
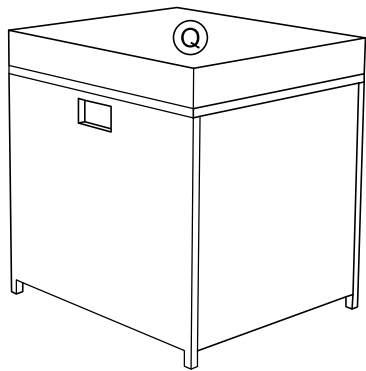
14

x4



15

x4



FINISH

