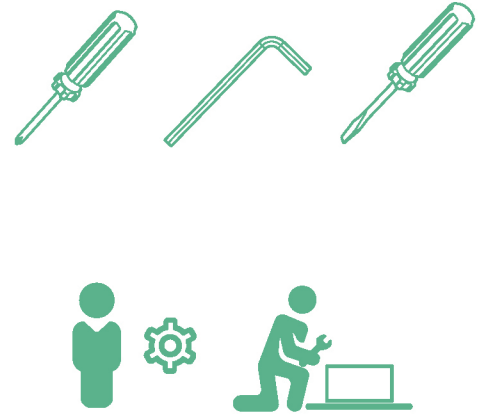
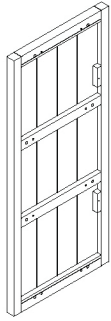


TOOLS:



UNIT:MM
PACKAGE-A

1



1070X457X35

6



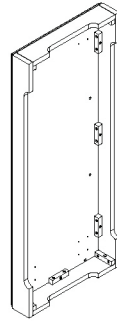
951X40X32

8



951X168X36

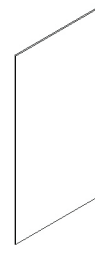
9



1062X435X100

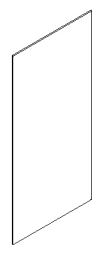
12

X
2



606X290X3

14

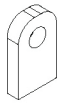


606X317X3

UNIT:MM

16

X
2



100X60X18

17



447X ϕ 25

18

X
3



303X135X27

19

X
3



350X97X12

20

X
3



350X97X12

21

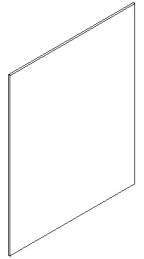
X
3



257X97X12

22

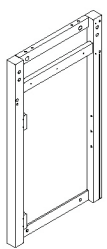
X
3



335X266X3

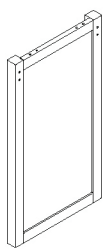
UNIT:MM
PACKAGE-B

2



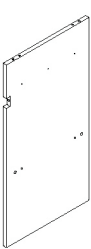
765X417X40

3



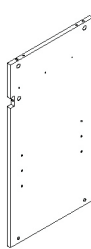
765X417X40

4



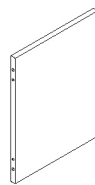
765X397X15

5



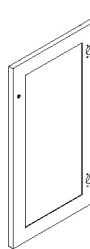
765X397X15

7



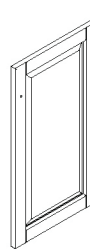
402X307X15

10



580X303X15

11



580X303X15

13

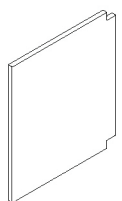
X
2



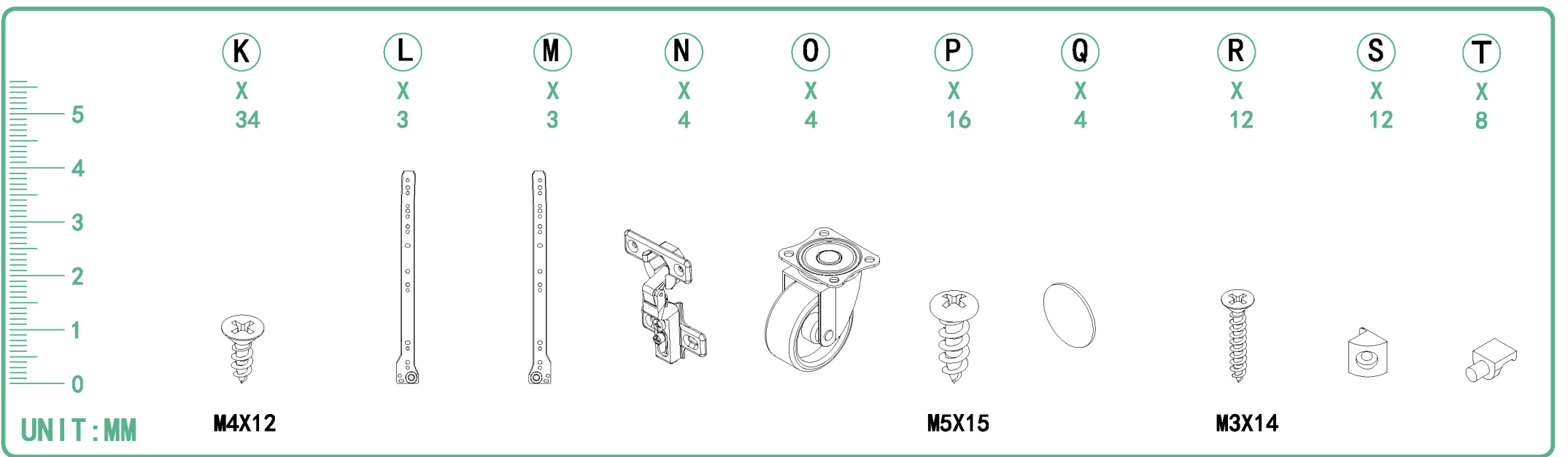
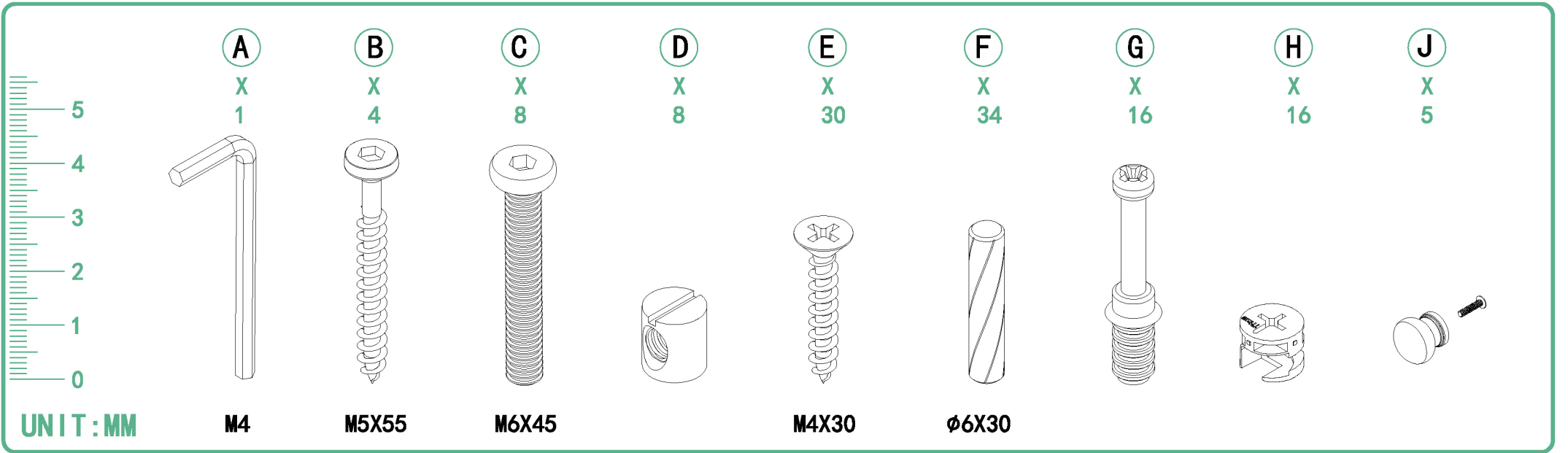
597X40X18

15

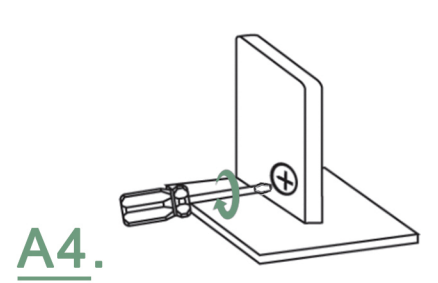
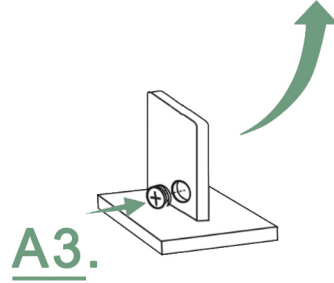
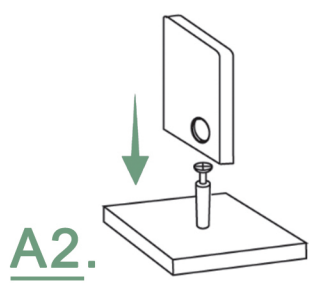
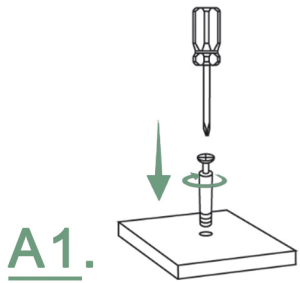
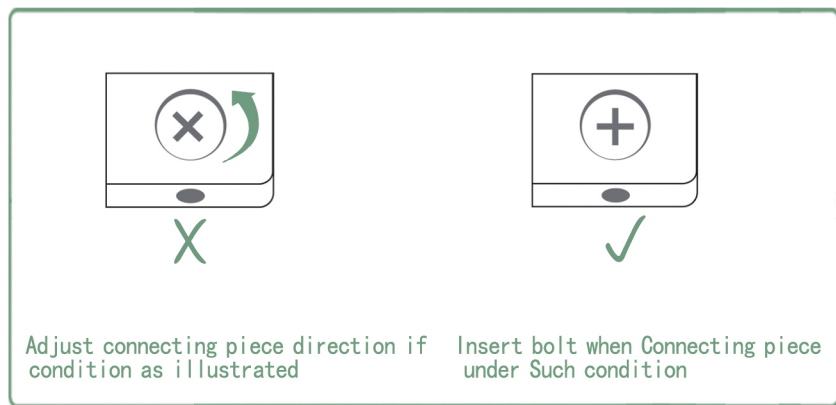
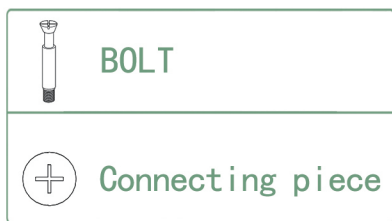
X
2



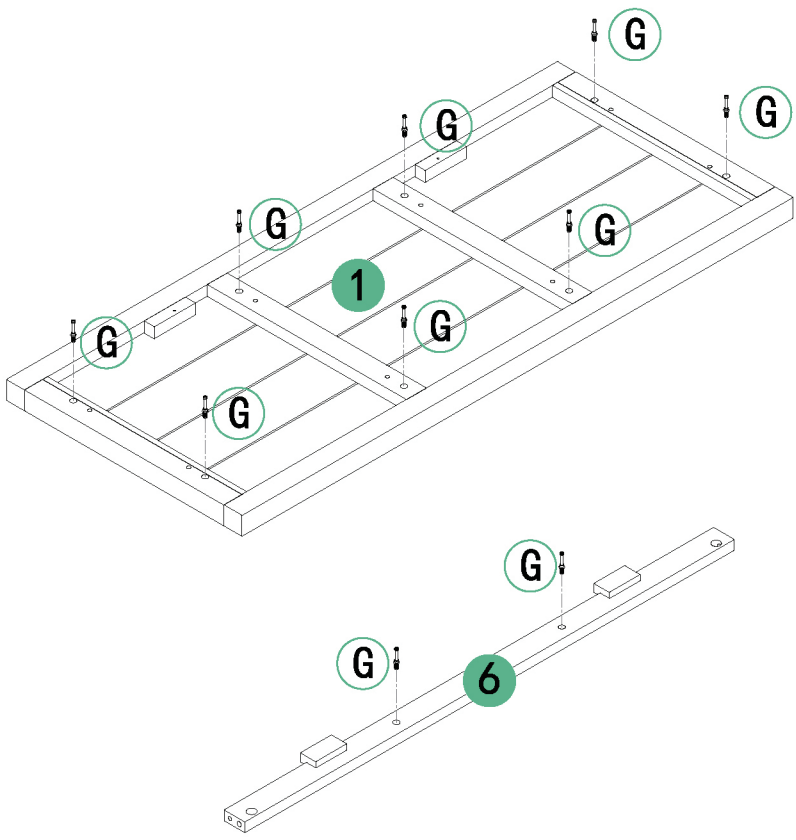
379X334X12



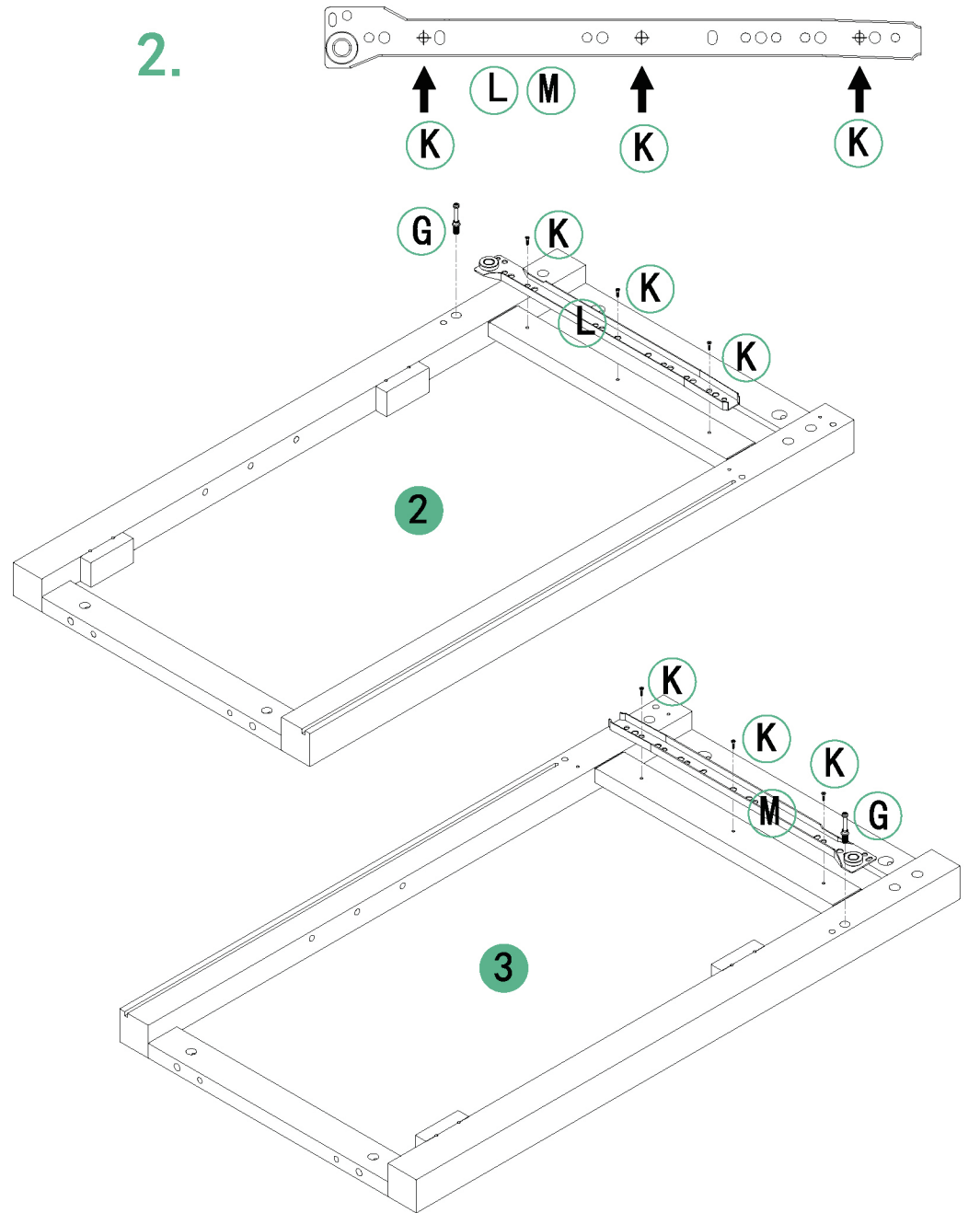
BOLT INSTALLATION AS BELOW:



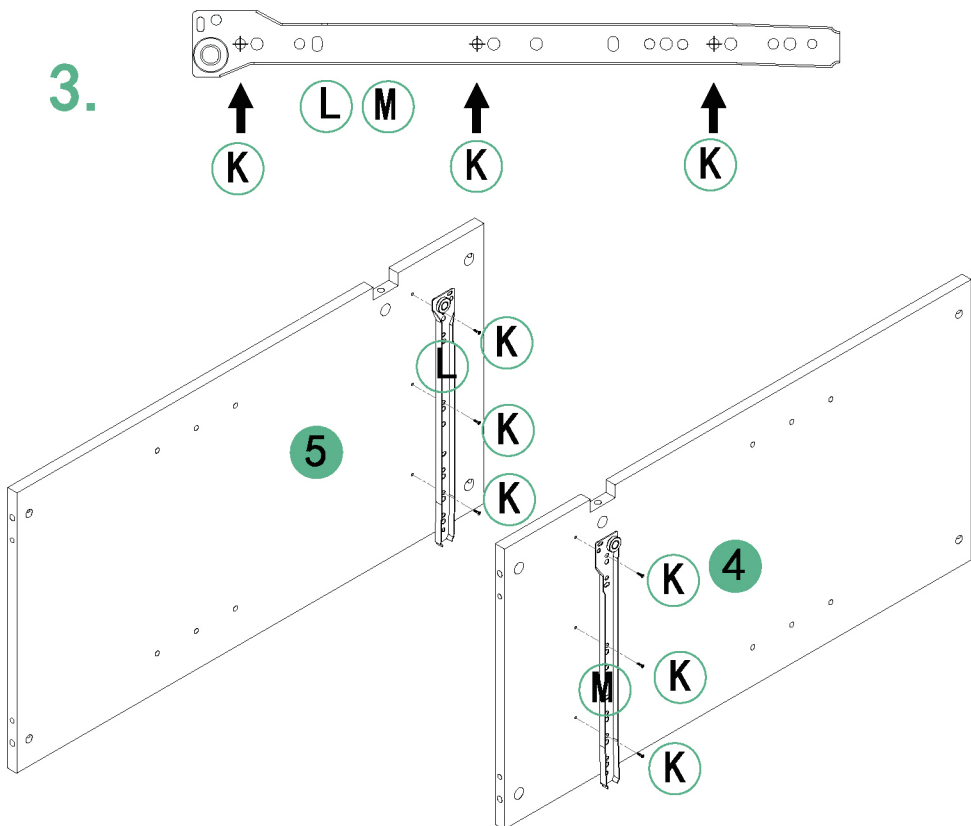
1.



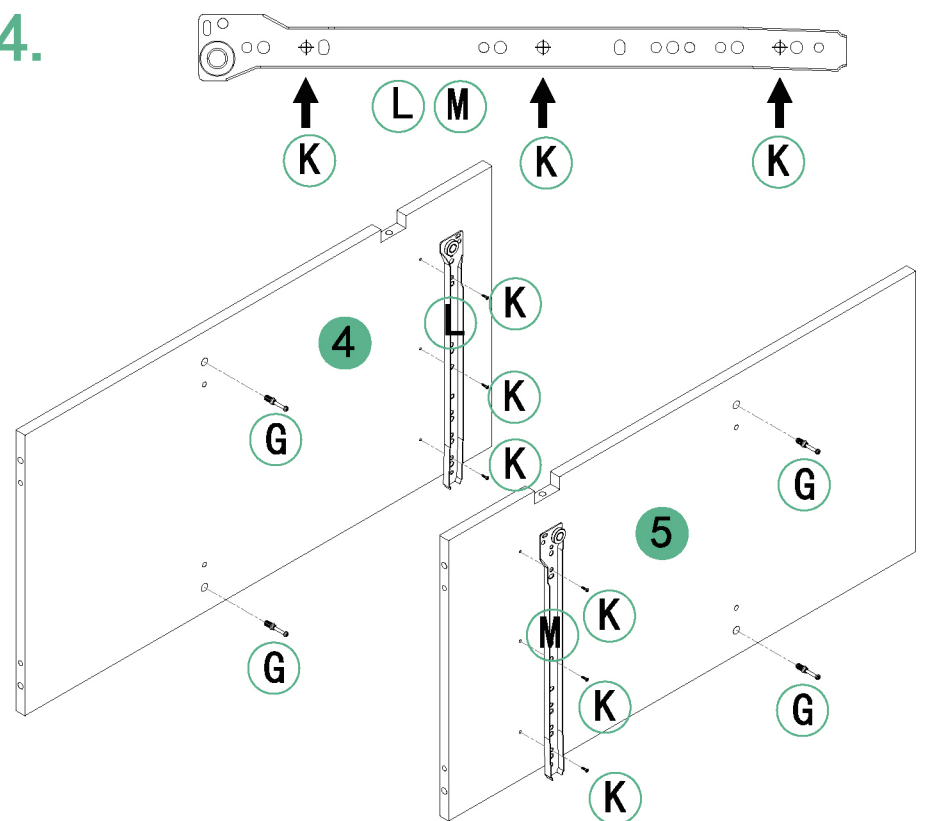
2.



3.

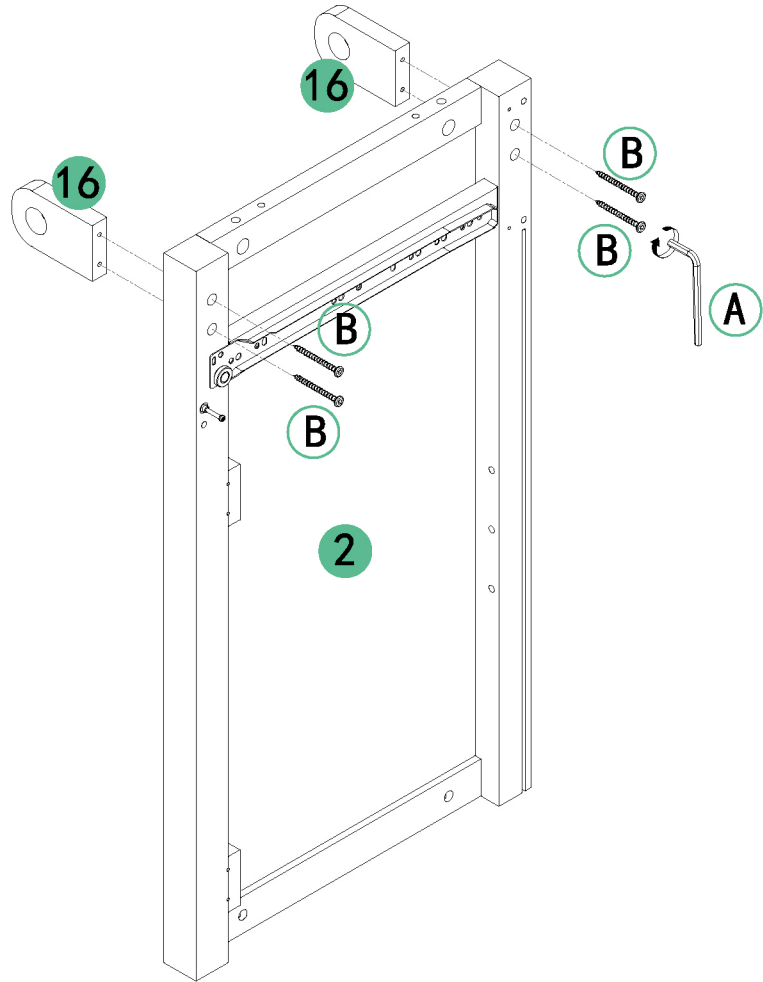


4.

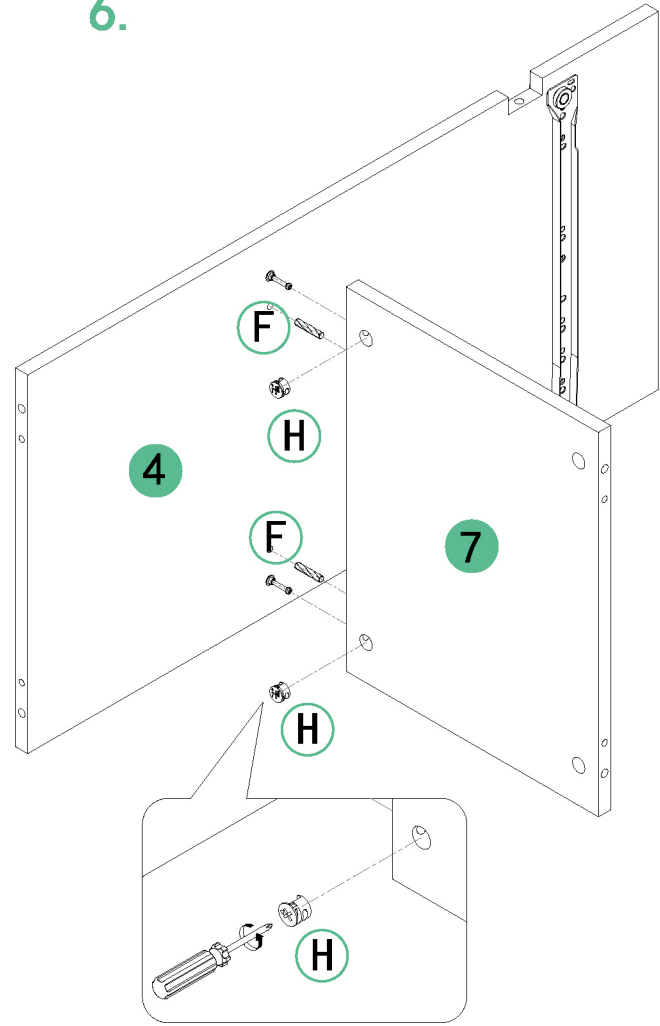


5.

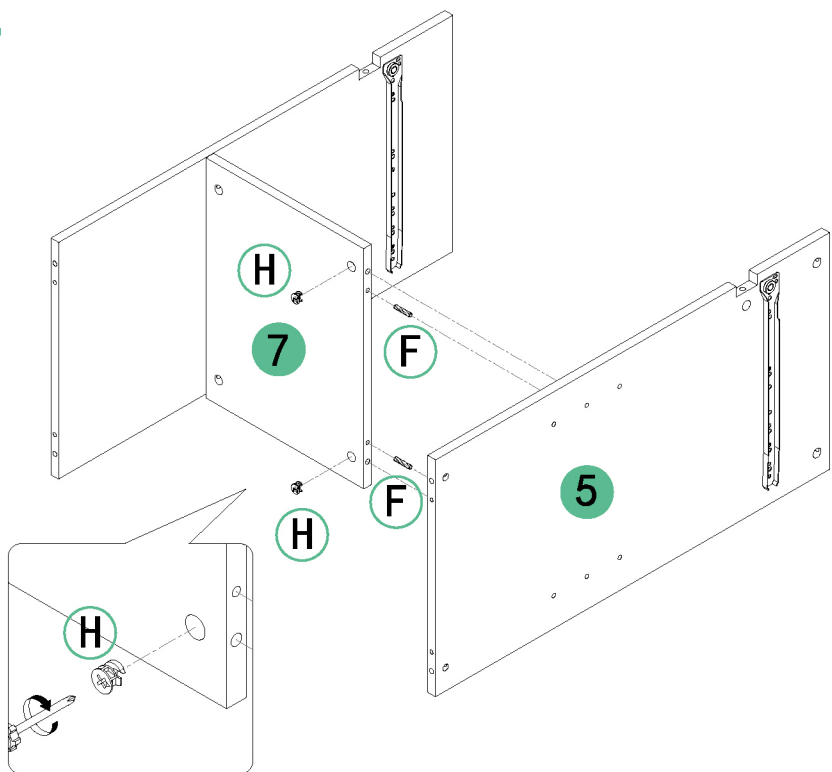
If you want to install the round bar on the left, please install it on part 2.
If you want to install the round bar on the right, please install it on part 3.



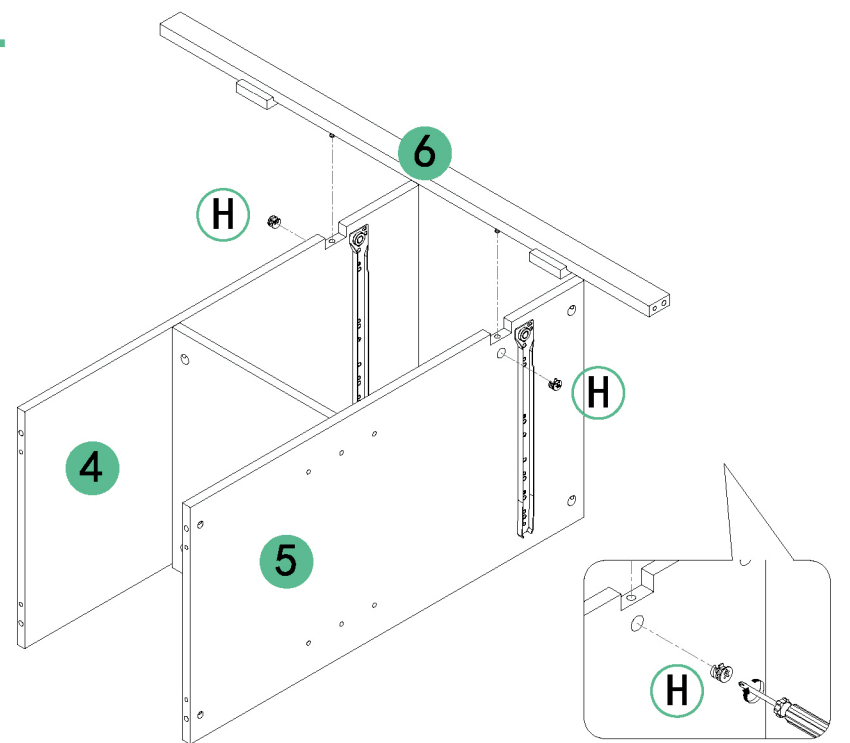
6.



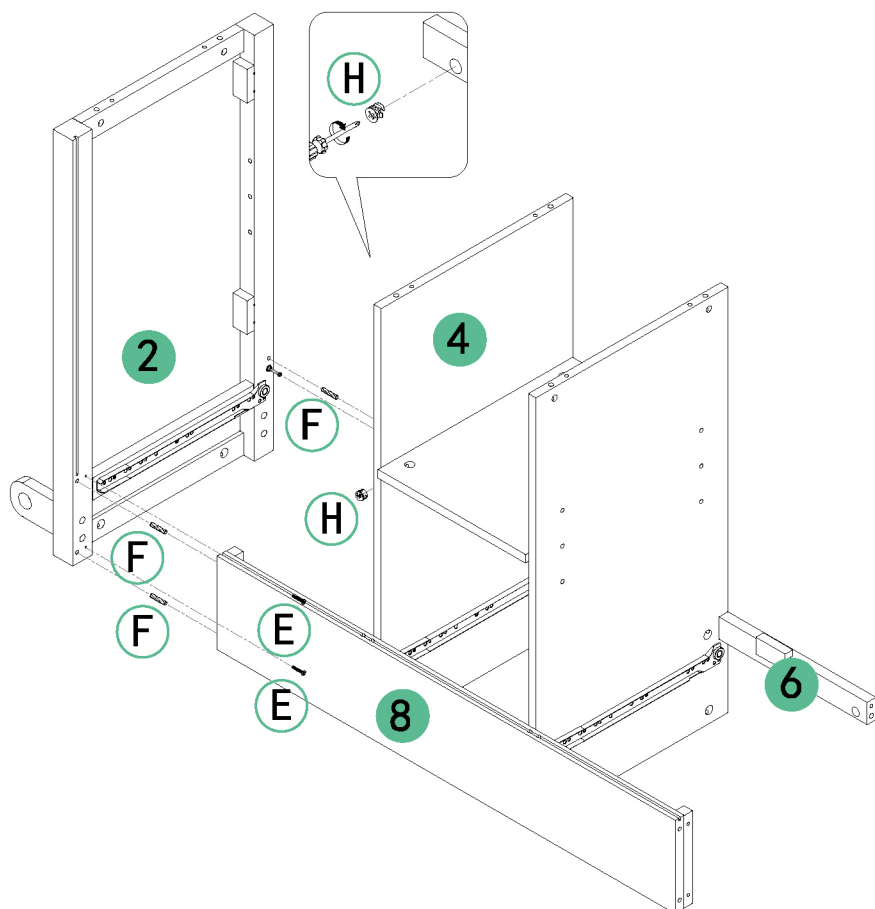
7.



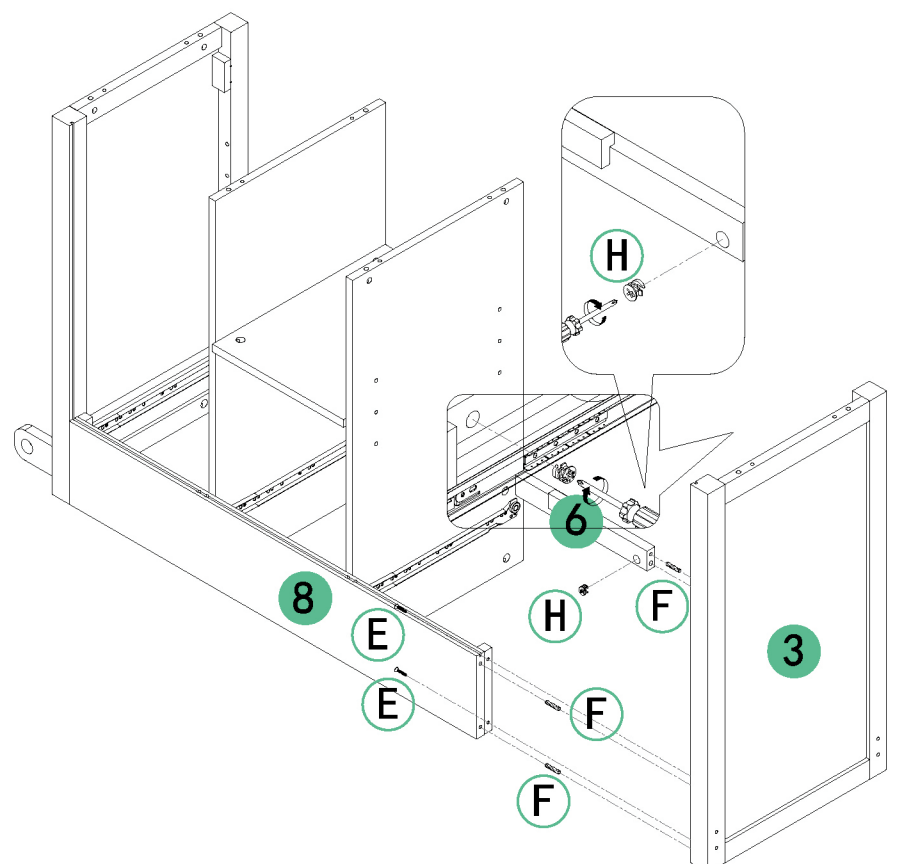
8.



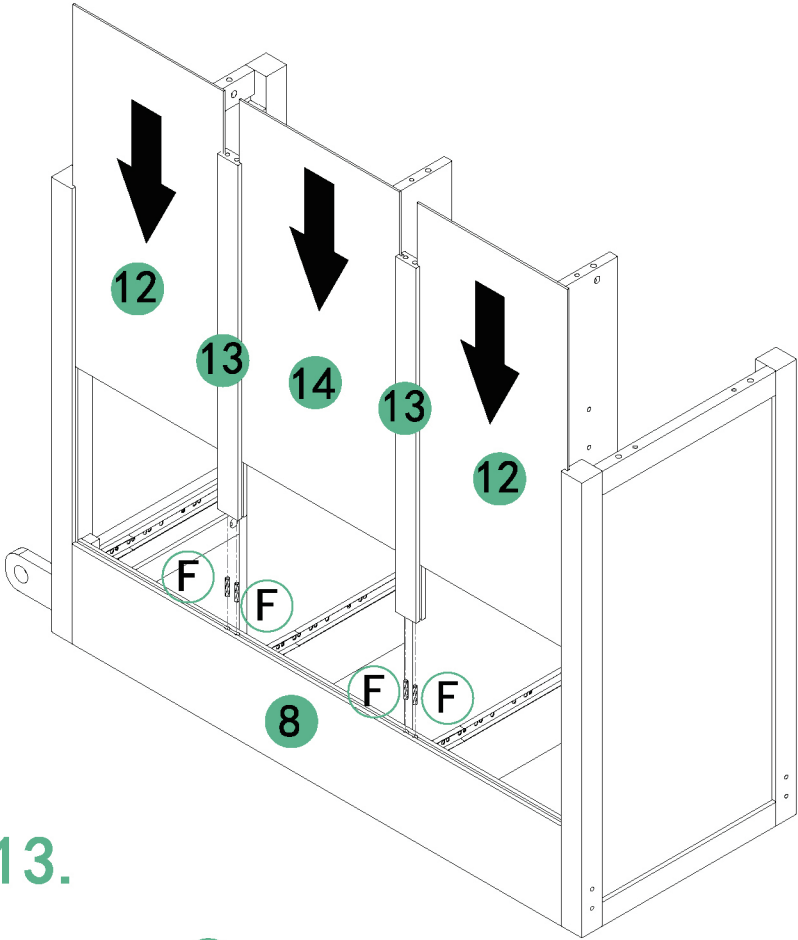
9.



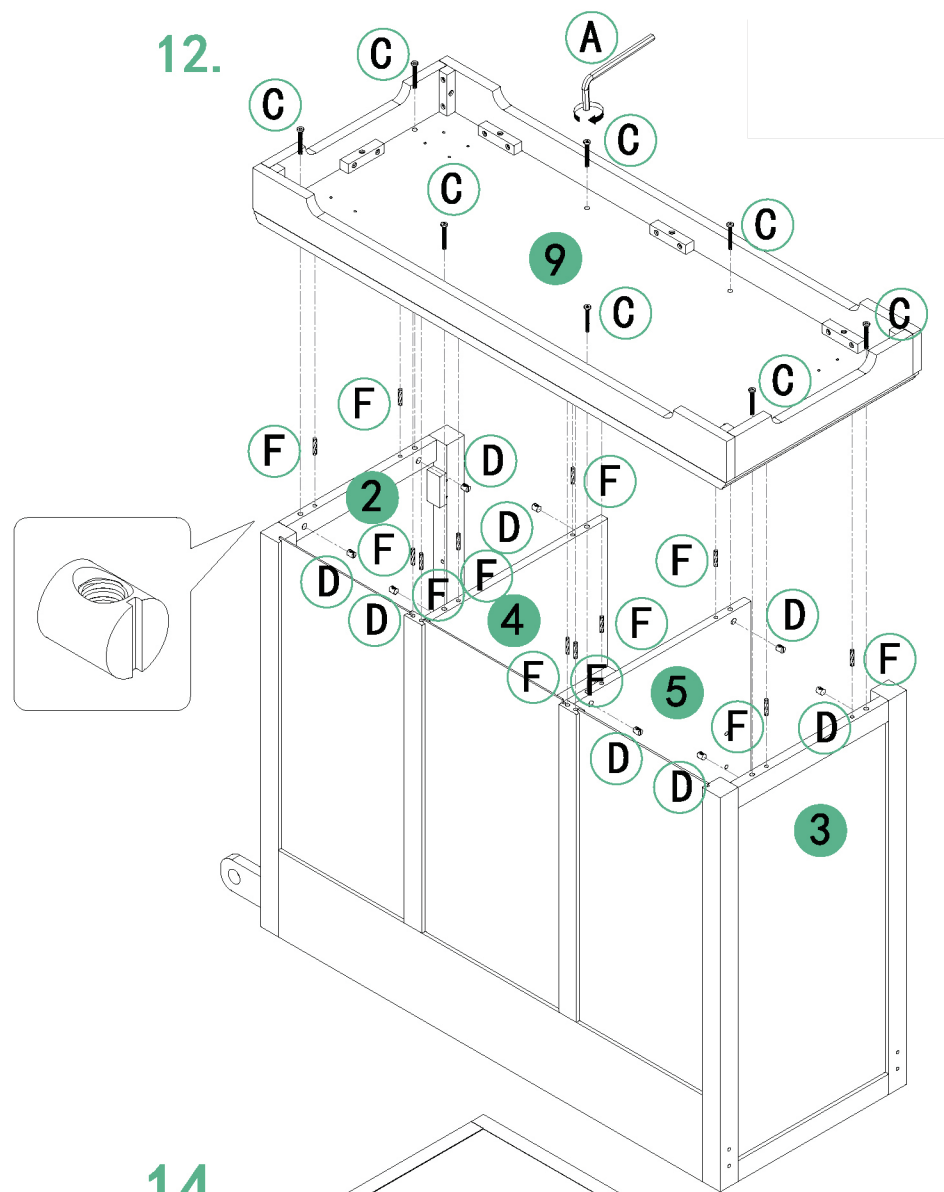
10.



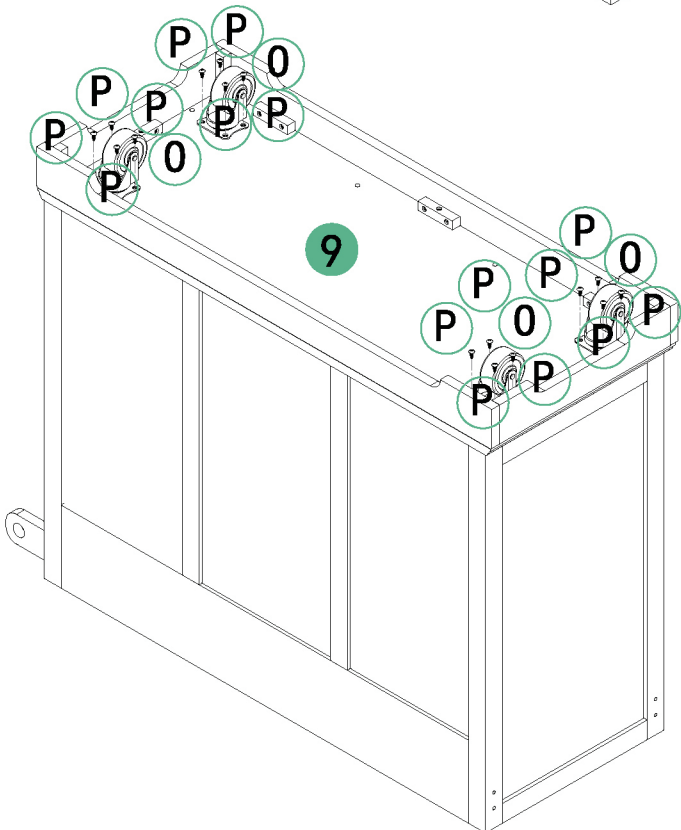
11.



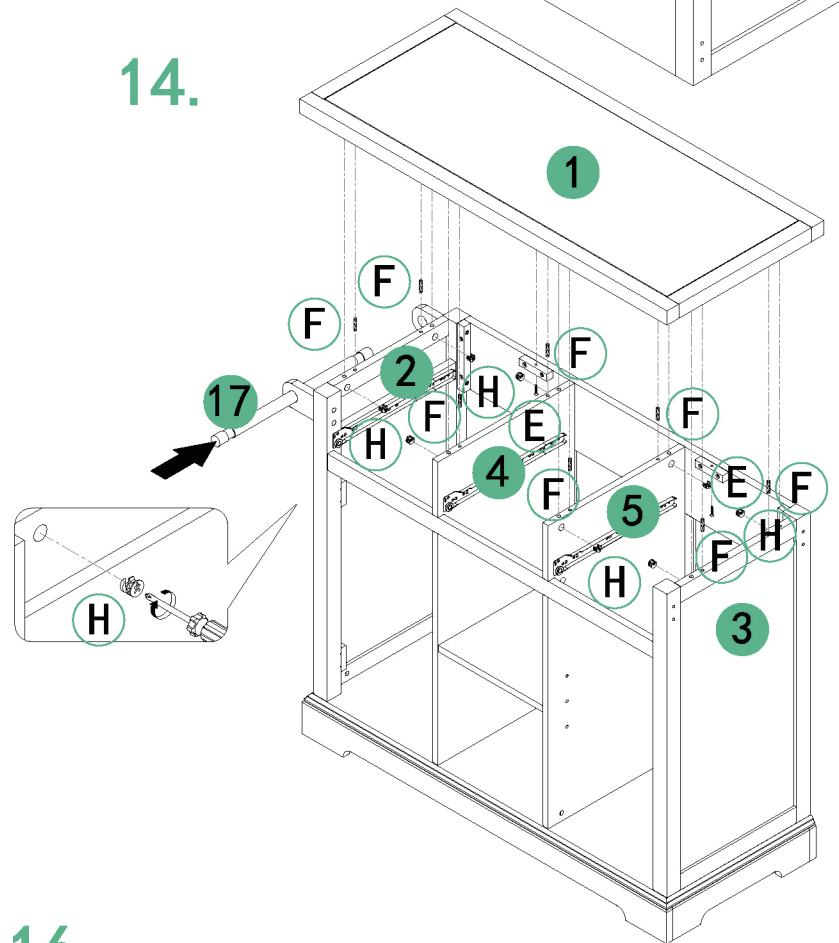
12.



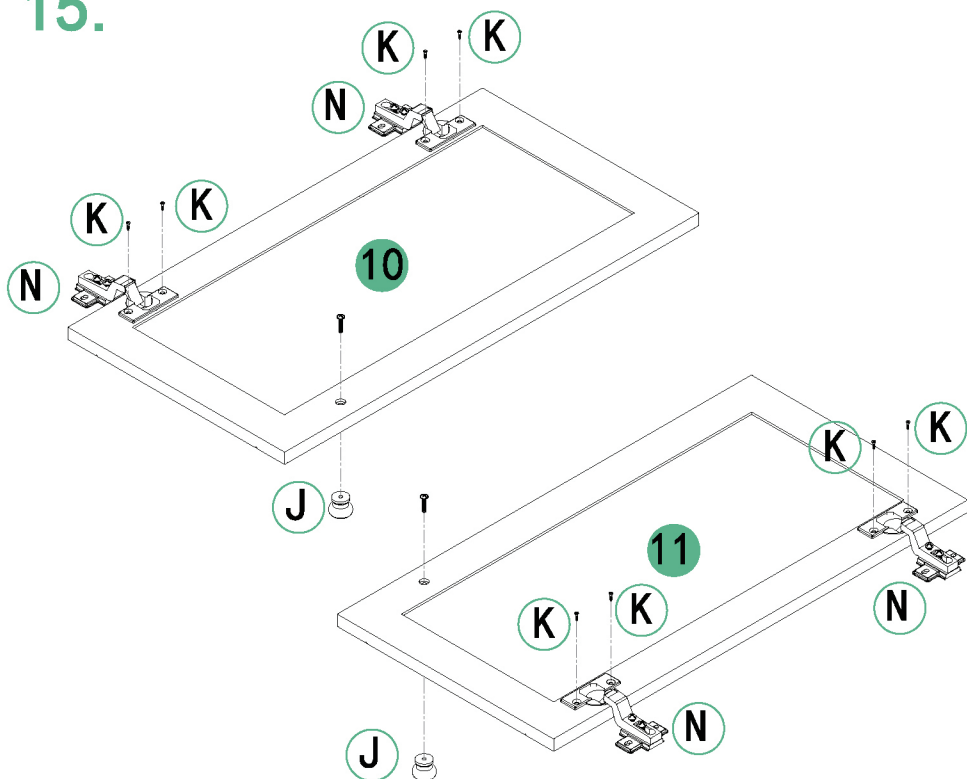
13.



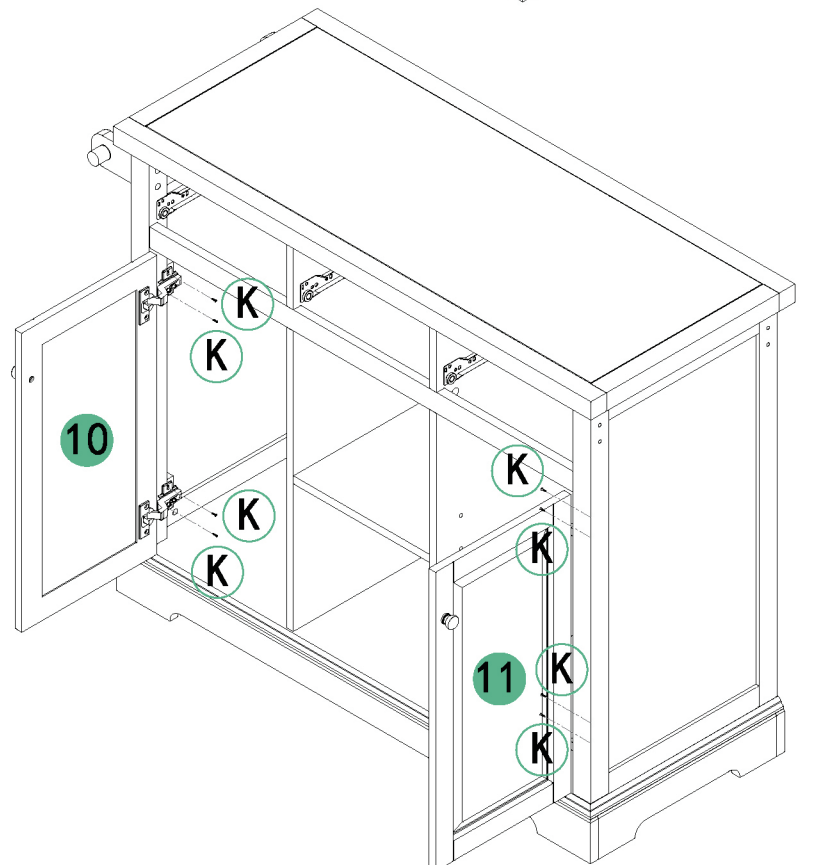
14.



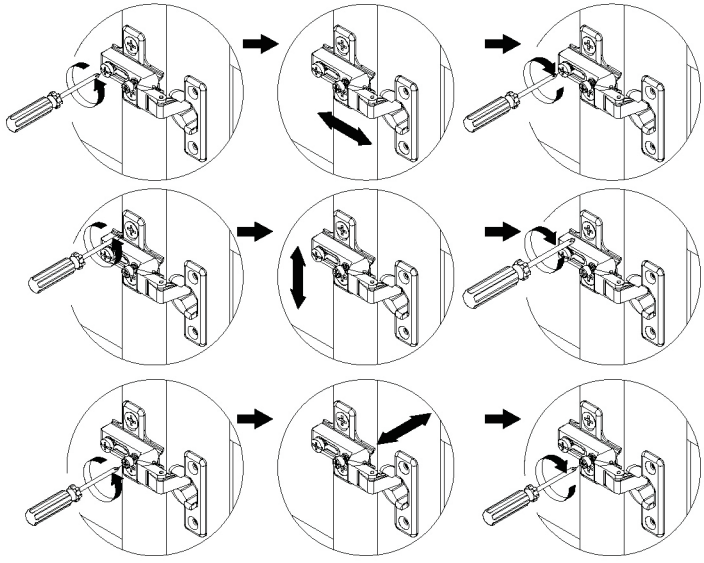
15.



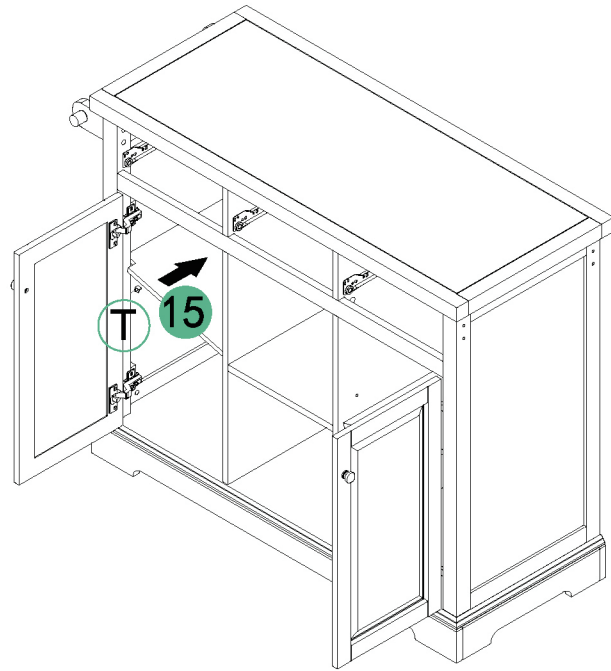
16.



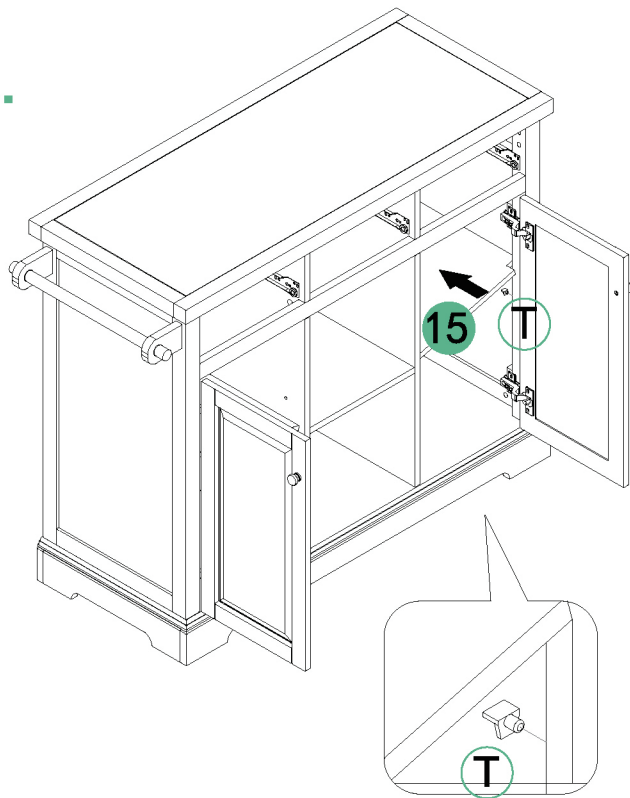
17.



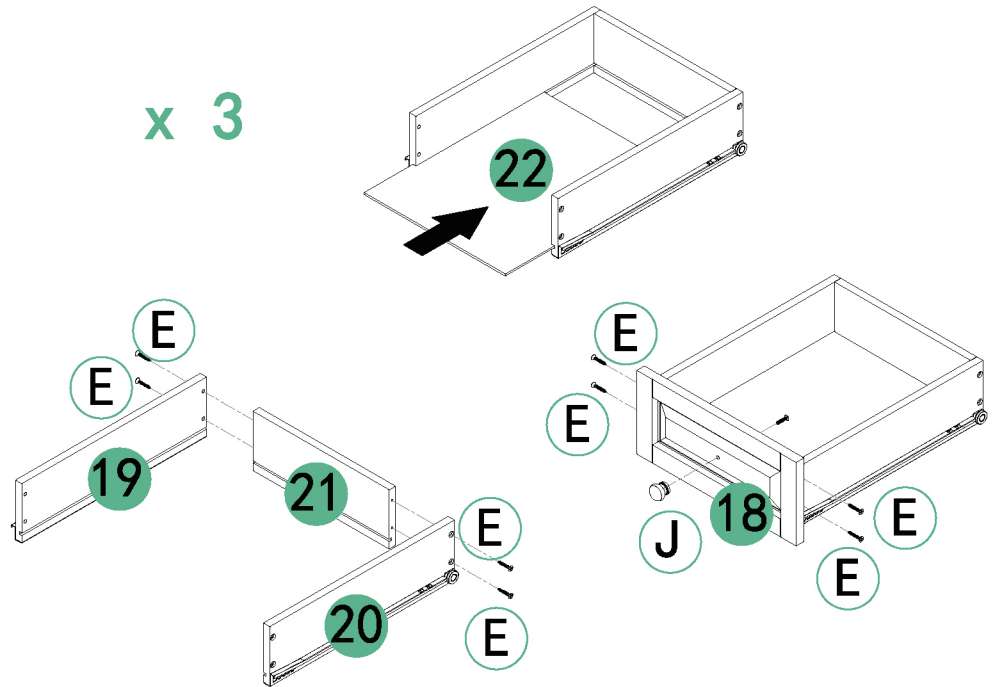
18.



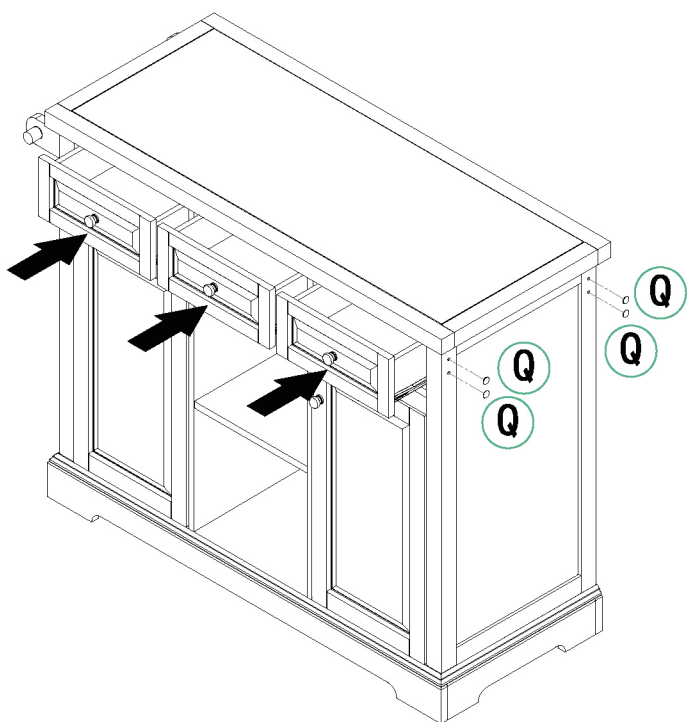
19.



20.



21.



22.

