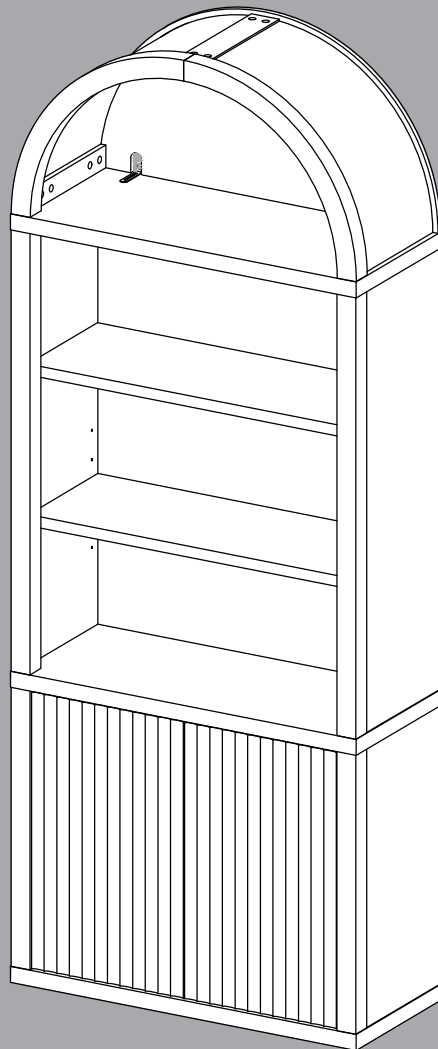


# Installation & Assembly

## Bookcase



# Assembly Instructions

Before beginning the assembly process, please read and save these instructions for reference.

Following these guidelines will ensure a smooth and successful assembly of your product.

## 1. Part Identification:

Carefully separate and identify all the parts included in your package. Confirm that you have all the components listed in the instruction manual. This step will help you avoid any missing or misplaced parts during assembly.

## 2. Work Surface:

To prevent any scratches or damage to the product, assemble it on a soft mat or a similar protective surface. This will provide a cushioned area for the components and protect the surfaces from unwanted marks.

## 3. Step-by-Step Assembly:

Follow the assembly instructions provided, proceeding one step at a time. Take care to understand each step properly before proceeding to the next one. This sequential approach ensures that the assembly is done correctly and minimizes the chance of errors.

## 4. Proper Screw Seating:

When attaching screws and nuts, it is essential not to fully tighten them until all screws are correctly seated. By partially tightening each screw and nut initially, you can ensure that they are aligned properly and fit securely before final tightening.

## 5. Avoid Over-Tightening:

While each screw and nut should be tightened correctly, it is crucial not to over-tighten them. Over-tightening can cause damage to the product or compromise its structural integrity. Use the appropriate amount of force to secure the components without excessive tightening.

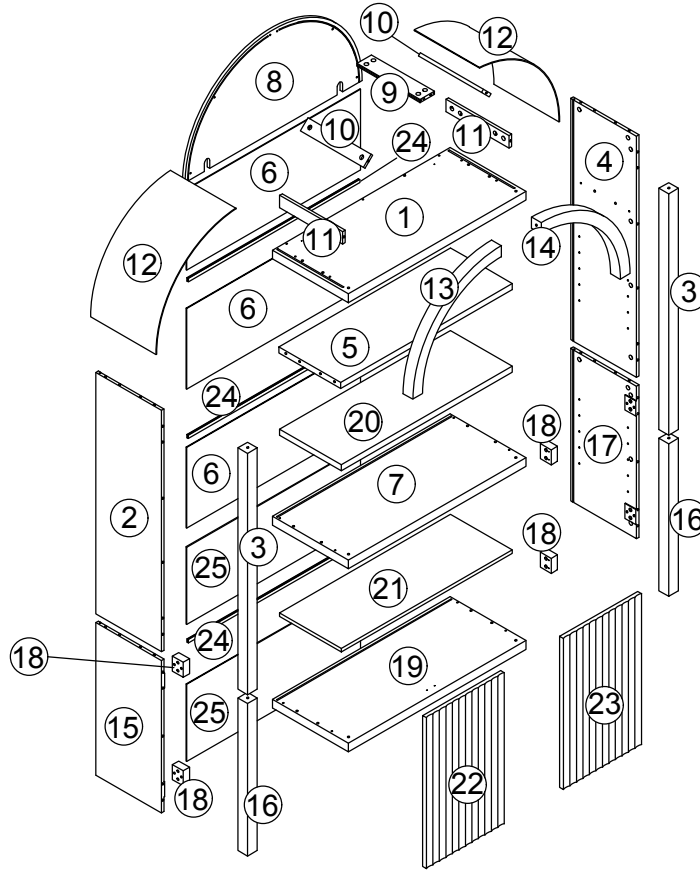
---

## SICOTAS customer help center:

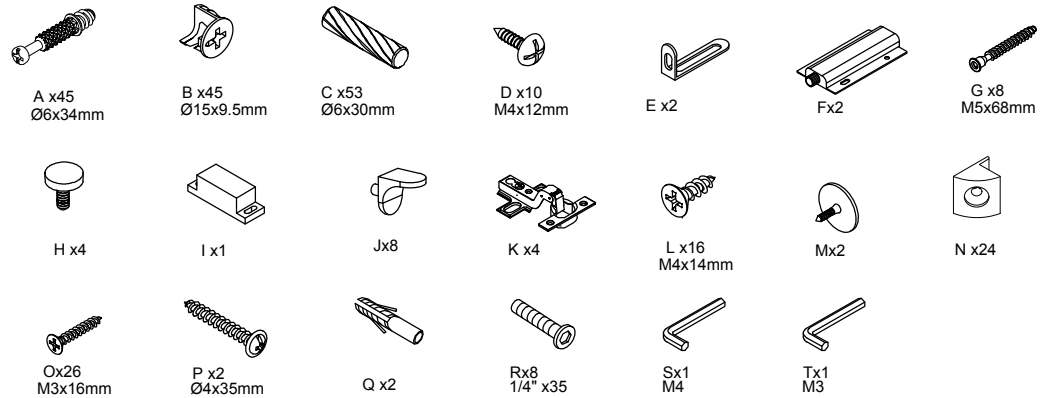
If you encounter any questions or problems during the assembly process, please do not hesitate to contact us.

We strive to provide excellent customer support and will respond to your inquiries within 24 hours. Our team will offer you a suitable solution to address any concerns you may have.

# Parts List

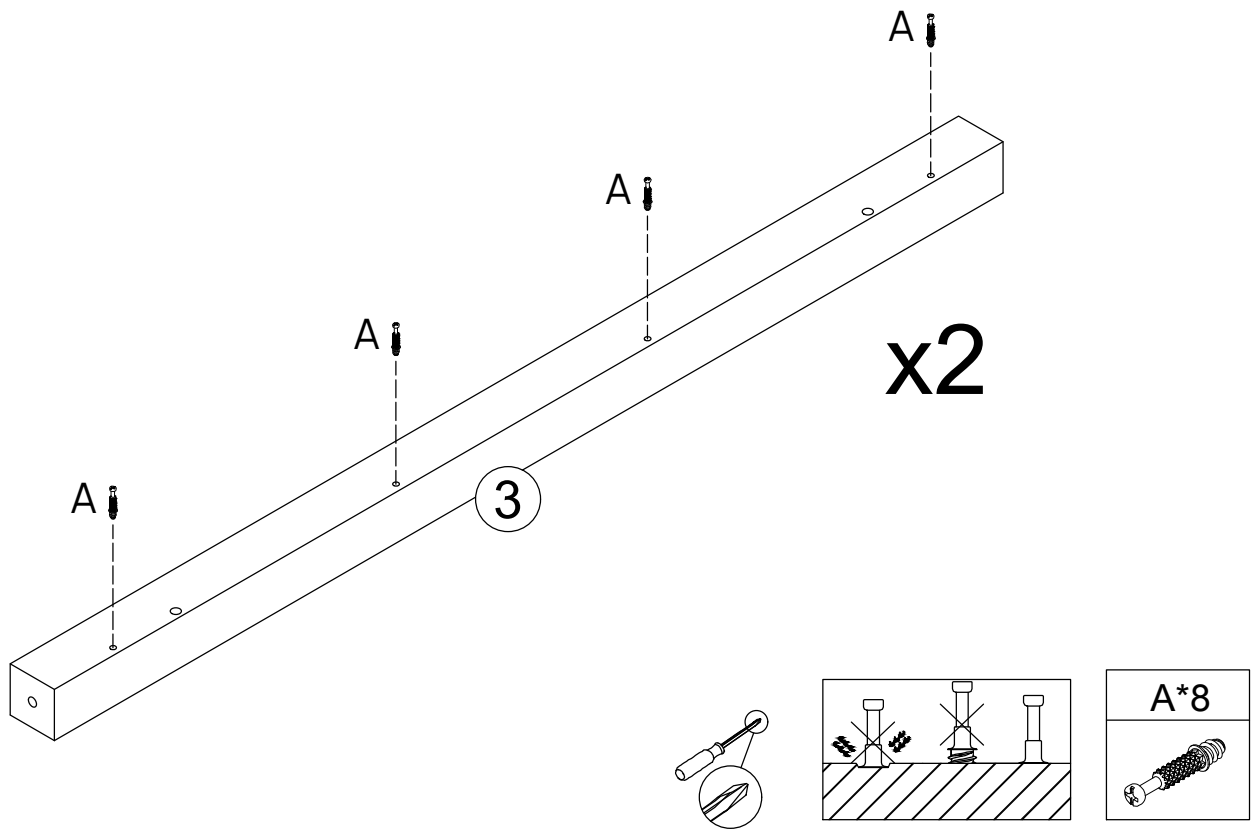


# Hardware List

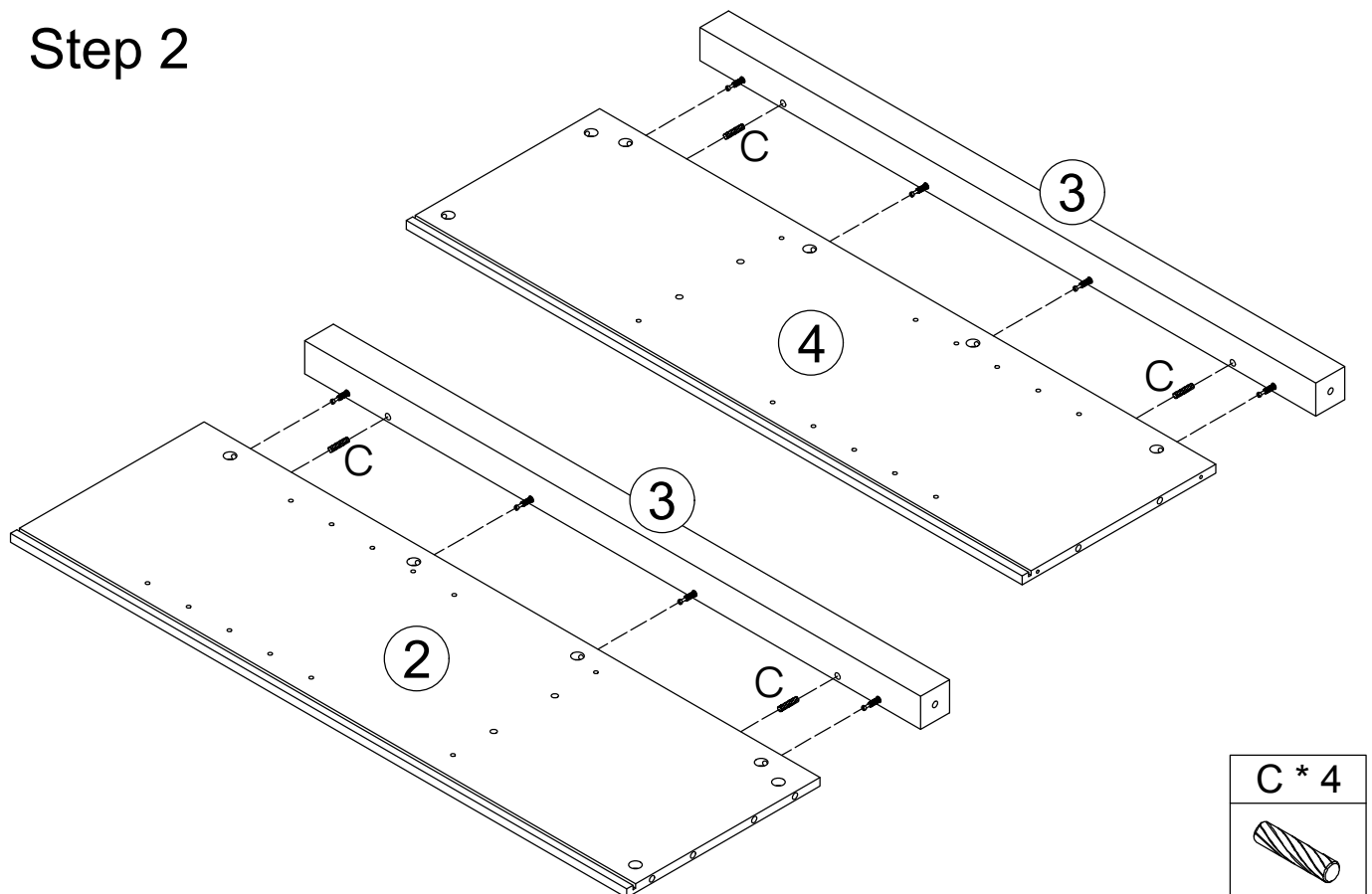


Code	Description	Quantity	Code	Description	Quantity
A	M6*34mm Cam bolt	45+2	L	M4x14mm Screw	16+2
B	Ø15x9.5mm Cam lock	45+2	M	Rebound gasket	2
C	Φ6x30mm Wood dowel	53+2	N	Back clip	24+2
D	M4x12mm Screw	10+2	O	M3x16mm Screw	26+2
E	Anti falling iron sheet	2	P	Ø4x35 self-tapping screw	2
F	Rebound device	2	Q	Plastic expansion screw	2
G	M5x68 Broken tail screw	8+2	R	1/4"x35 hexagonal screw	8+2
H	M8x(Ø30)x20 Adjustable foot	4+1	S	M4 Wrench	1
I	Magnet	1	T	M3 Wrench	1
J	Metal Pin	8+2			
K	Hinge	4			

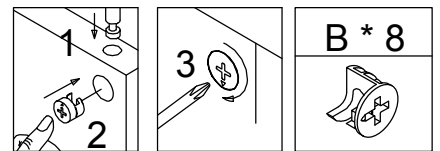
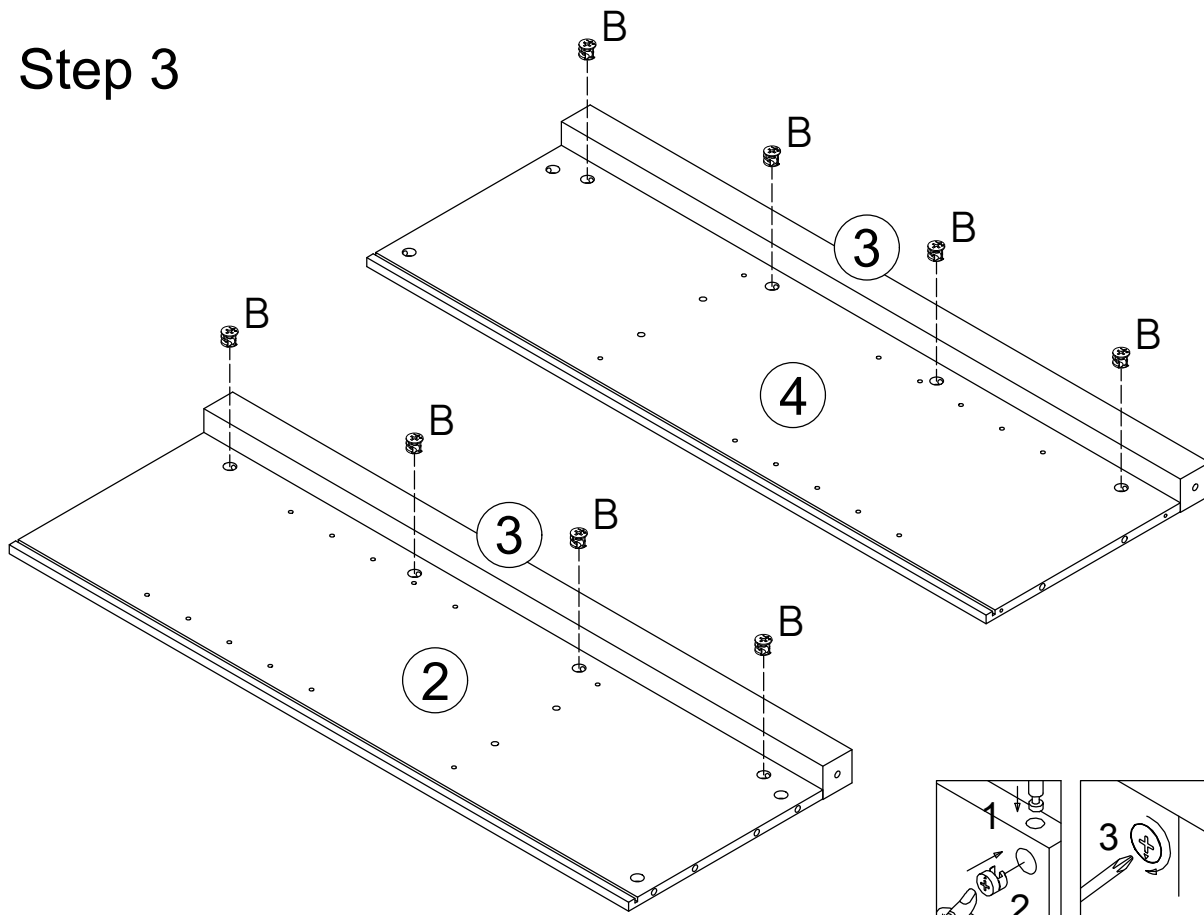
# Step 1



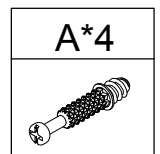
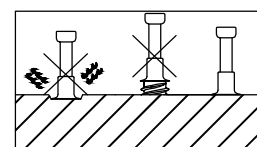
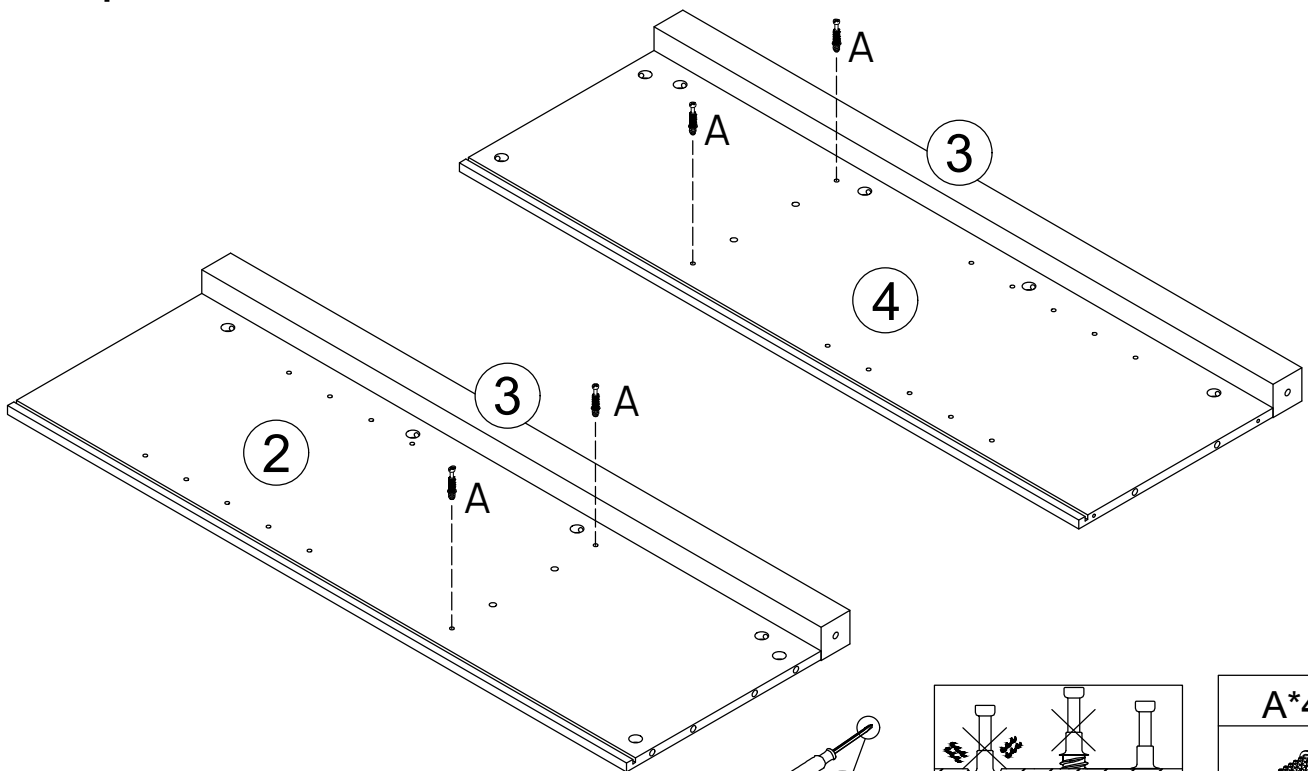
# Step 2



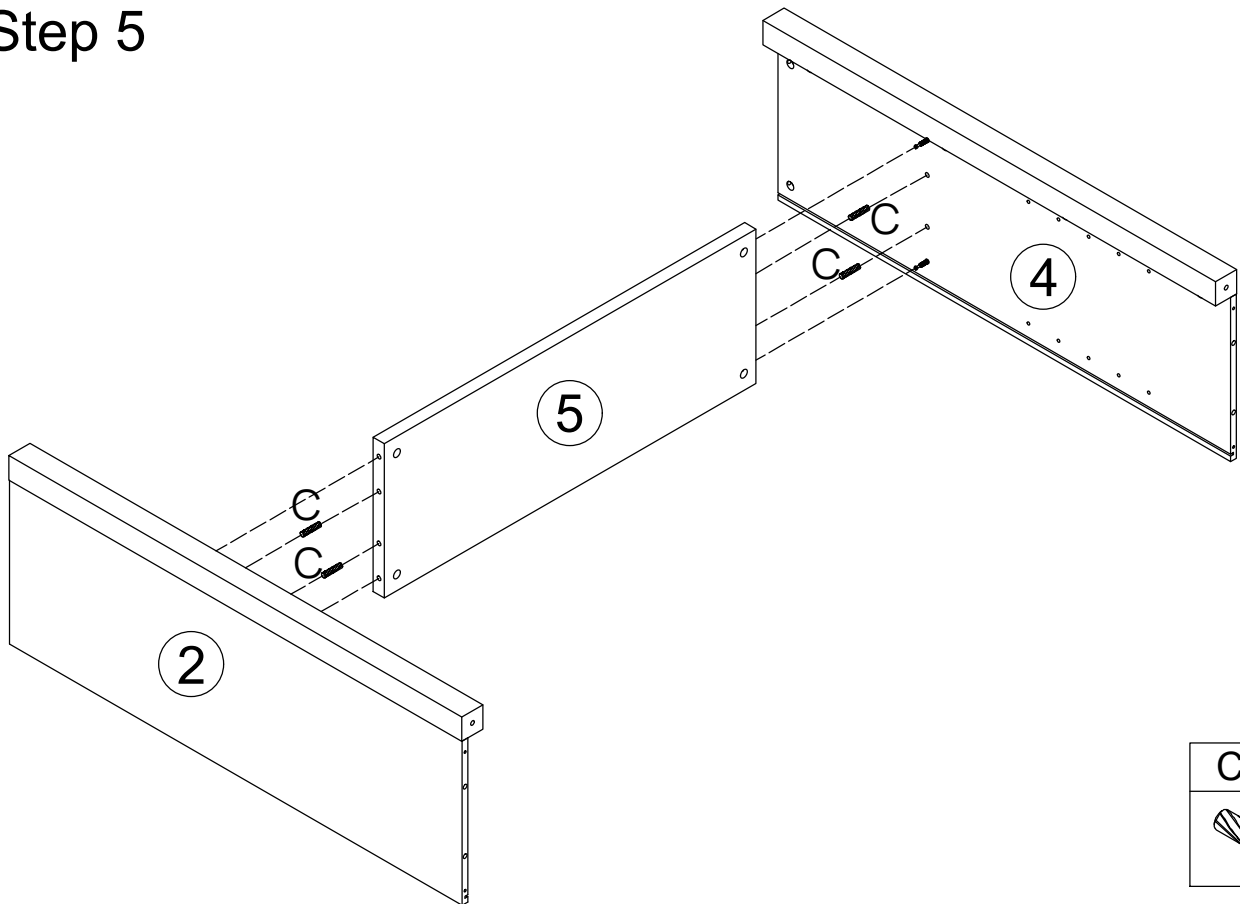
# Step 3



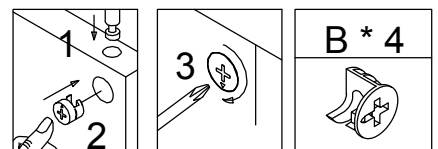
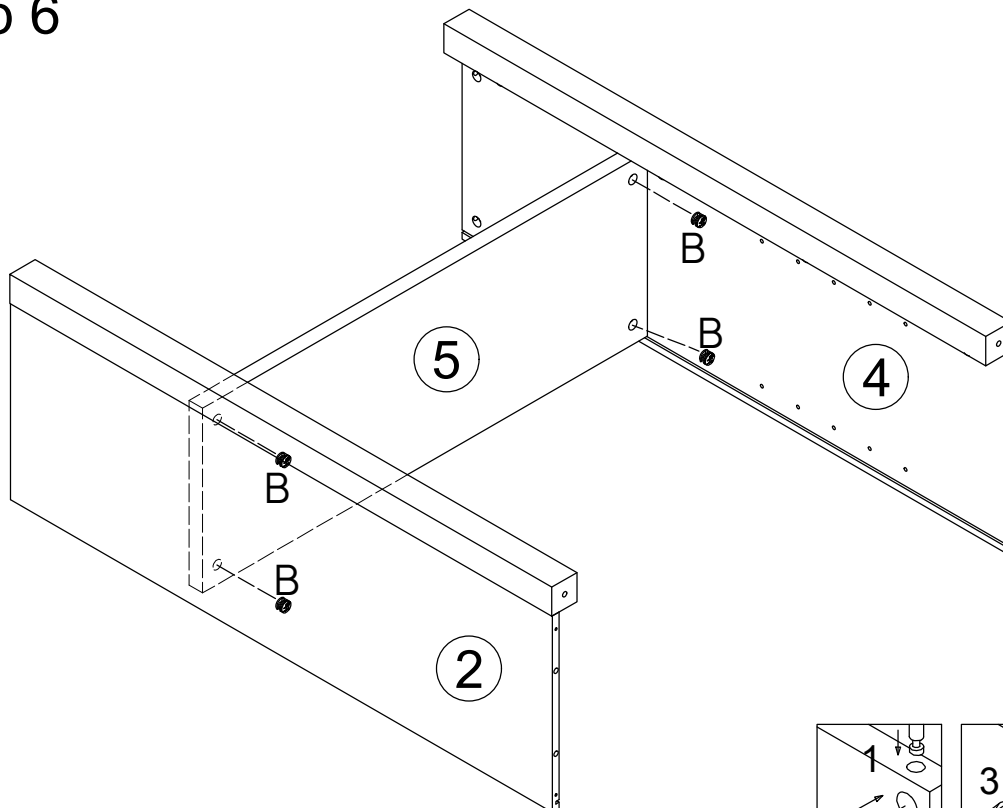
# Step 4



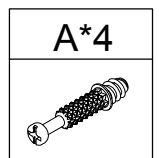
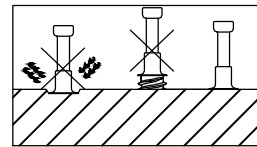
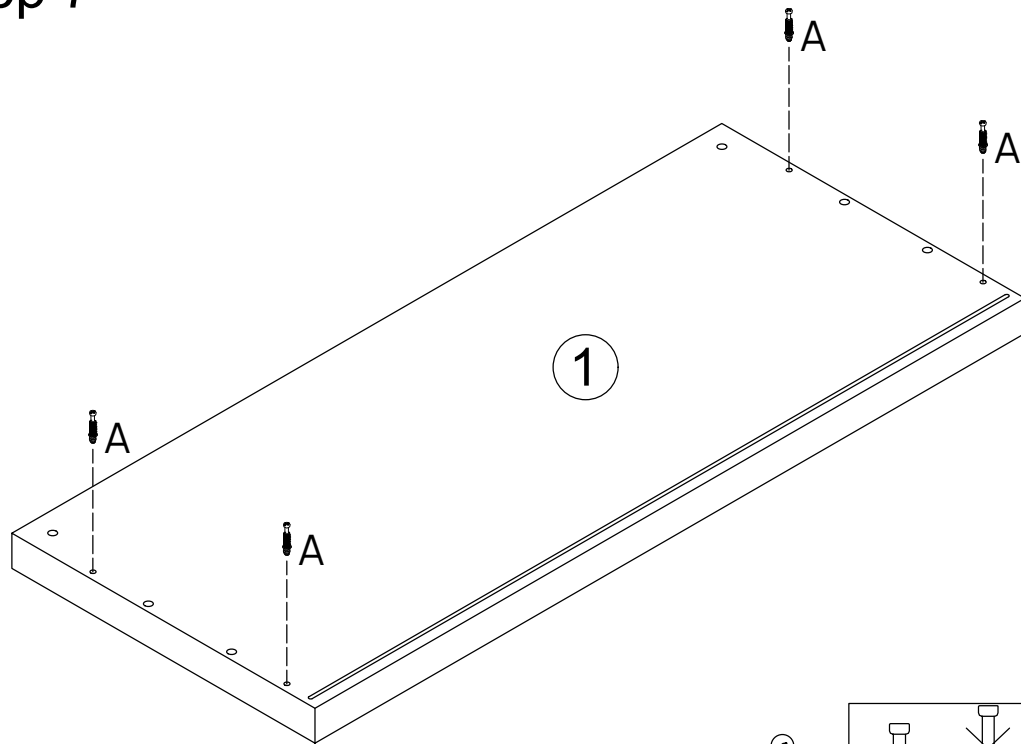
## Step 5



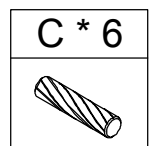
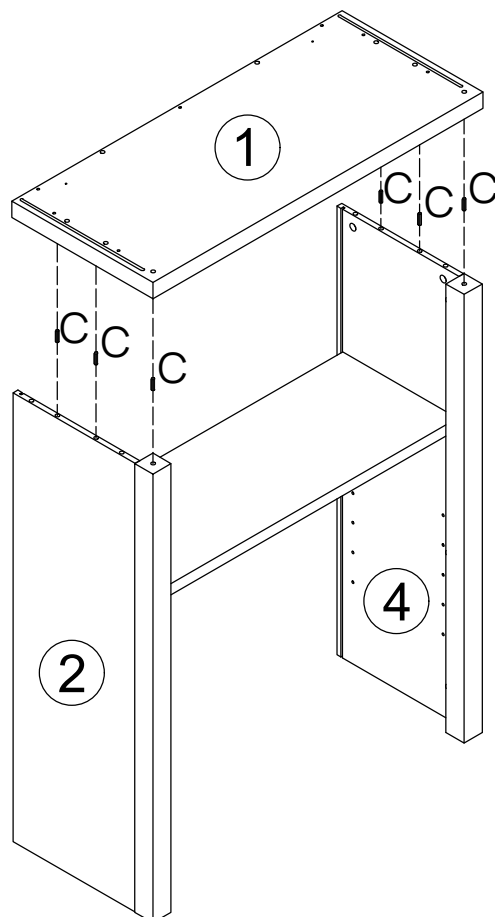
## Step 6



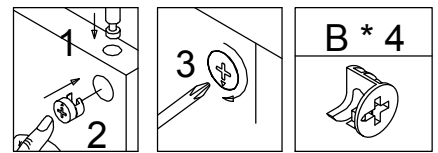
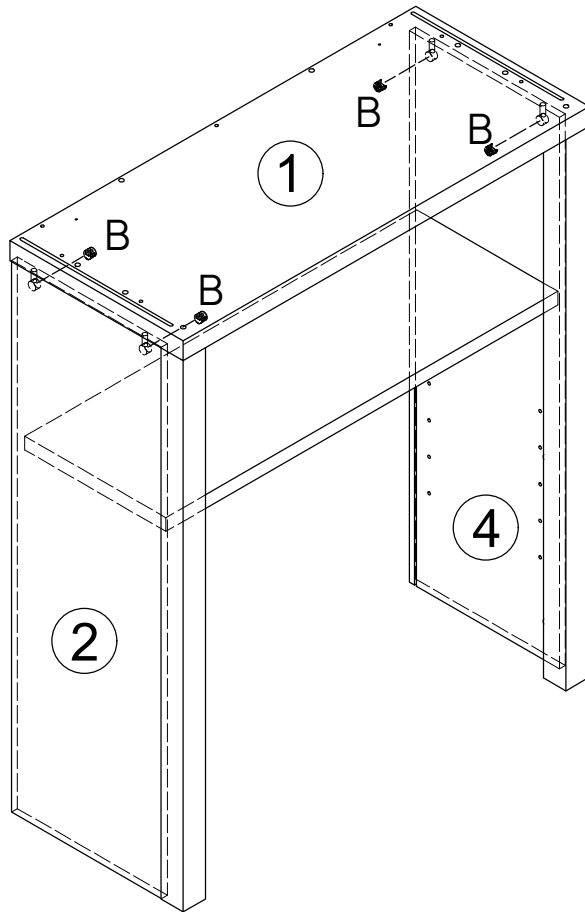
## Step 7



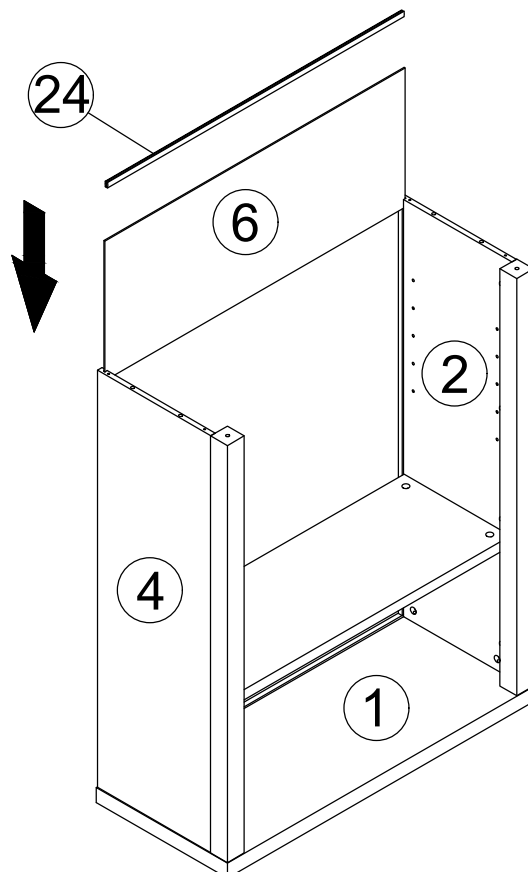
## Step 8



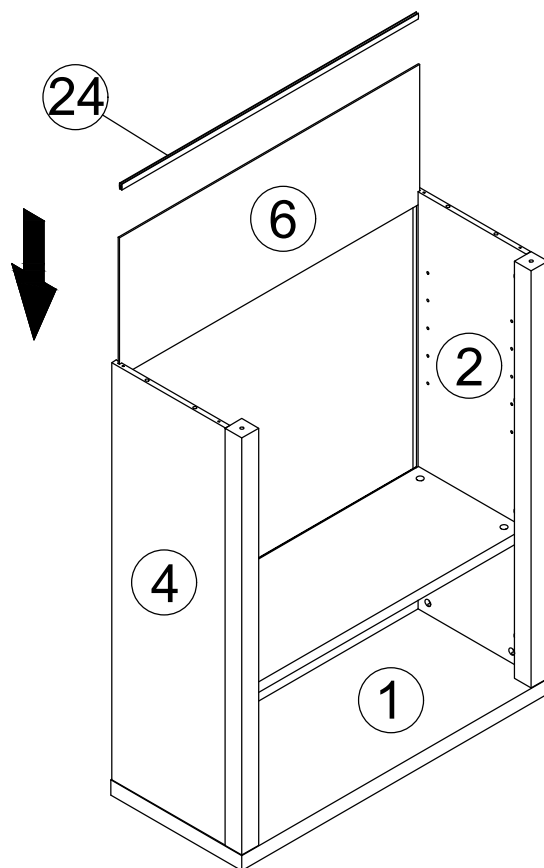
## Step 9



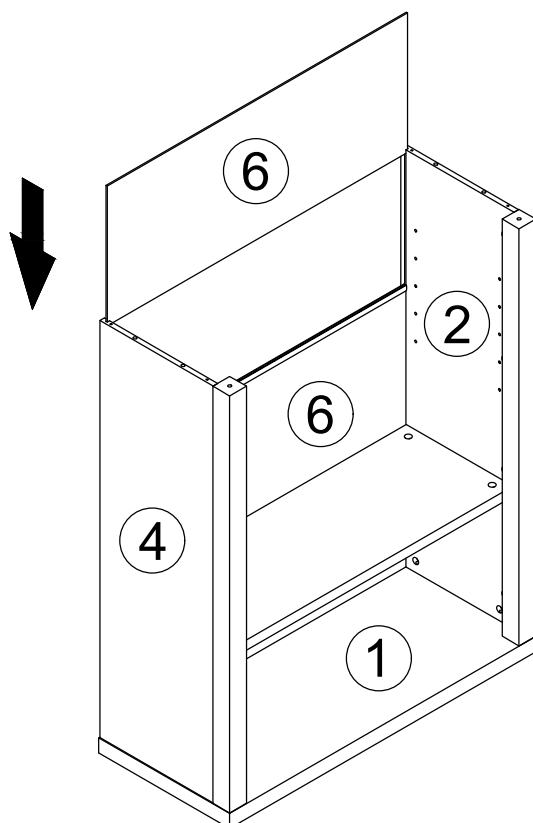
## Step 10



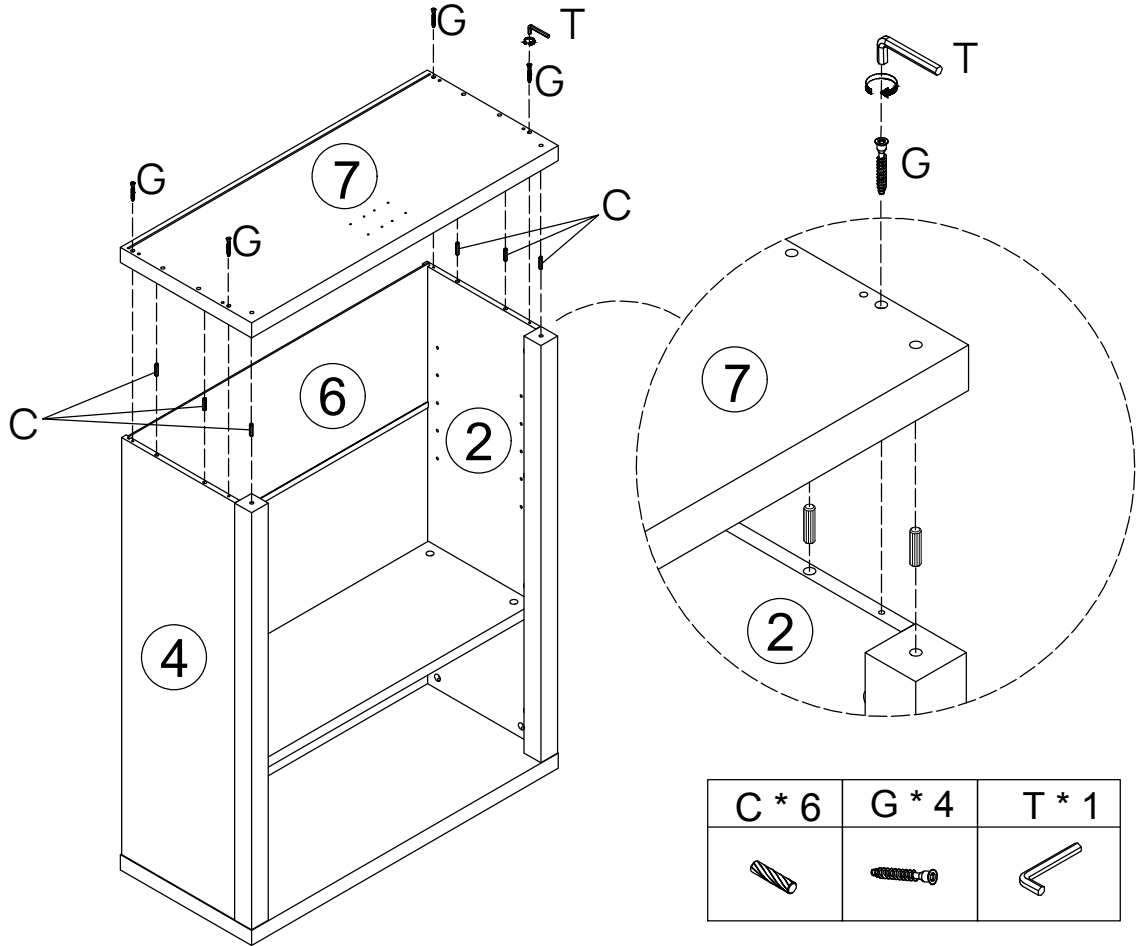
## Step 11



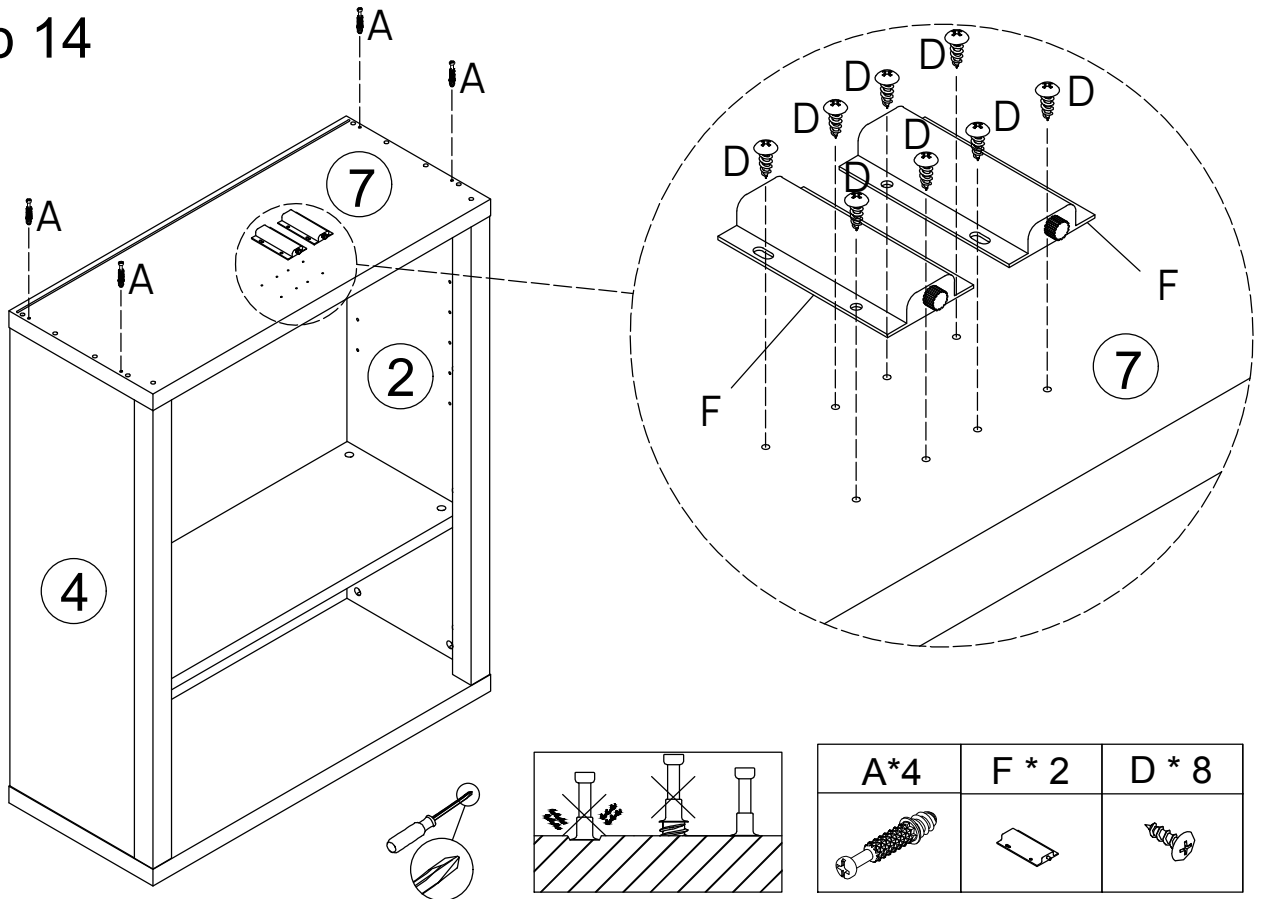
## Step 12



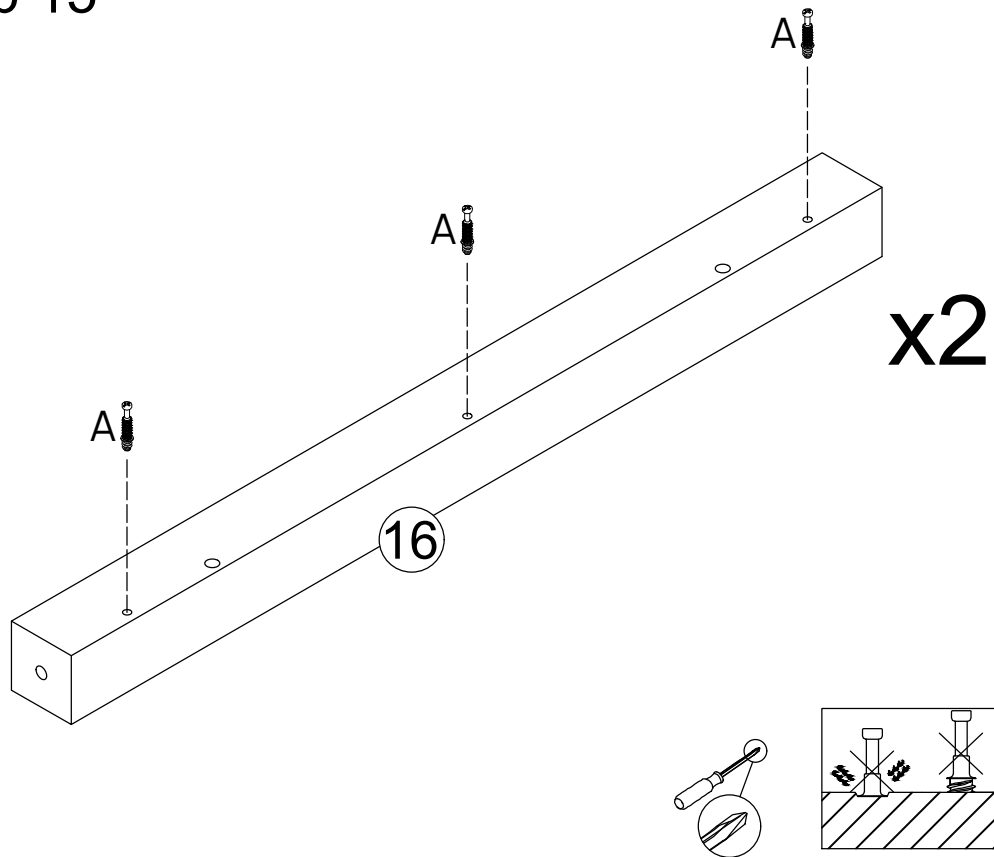
# Step 13



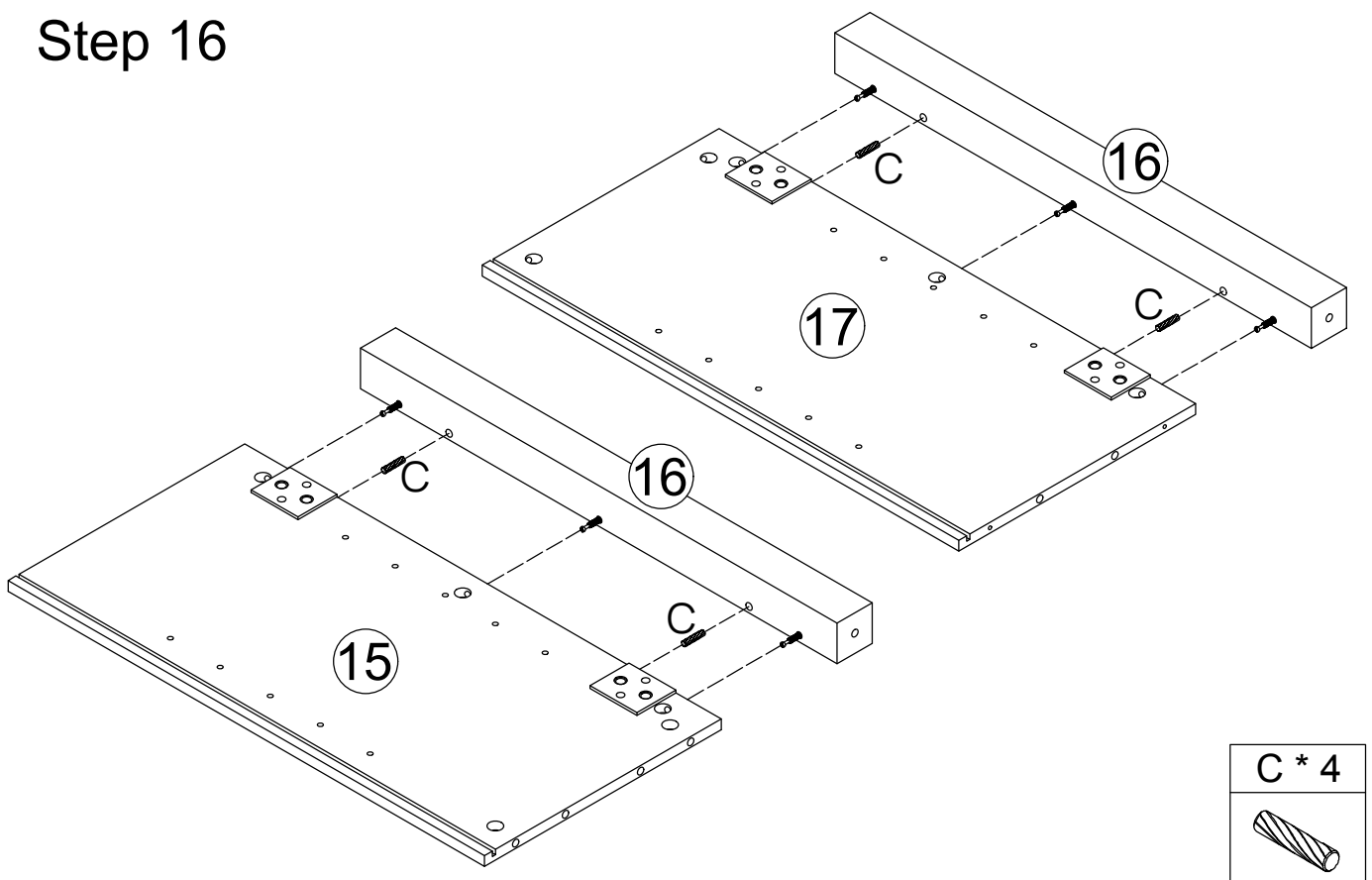
# Step 14



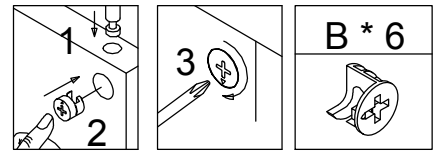
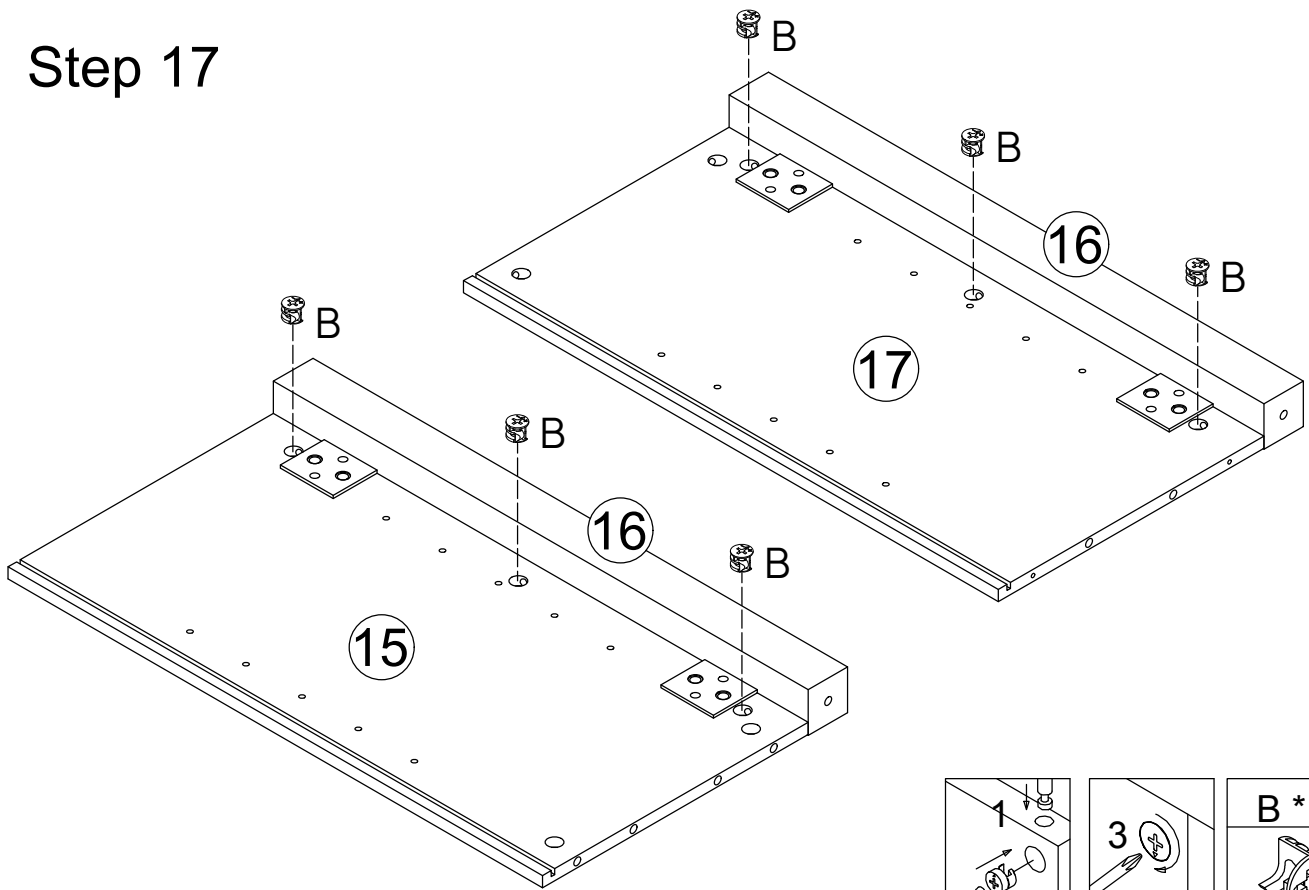
## Step 15



## Step 16

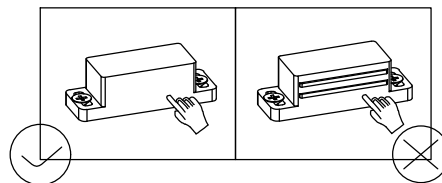
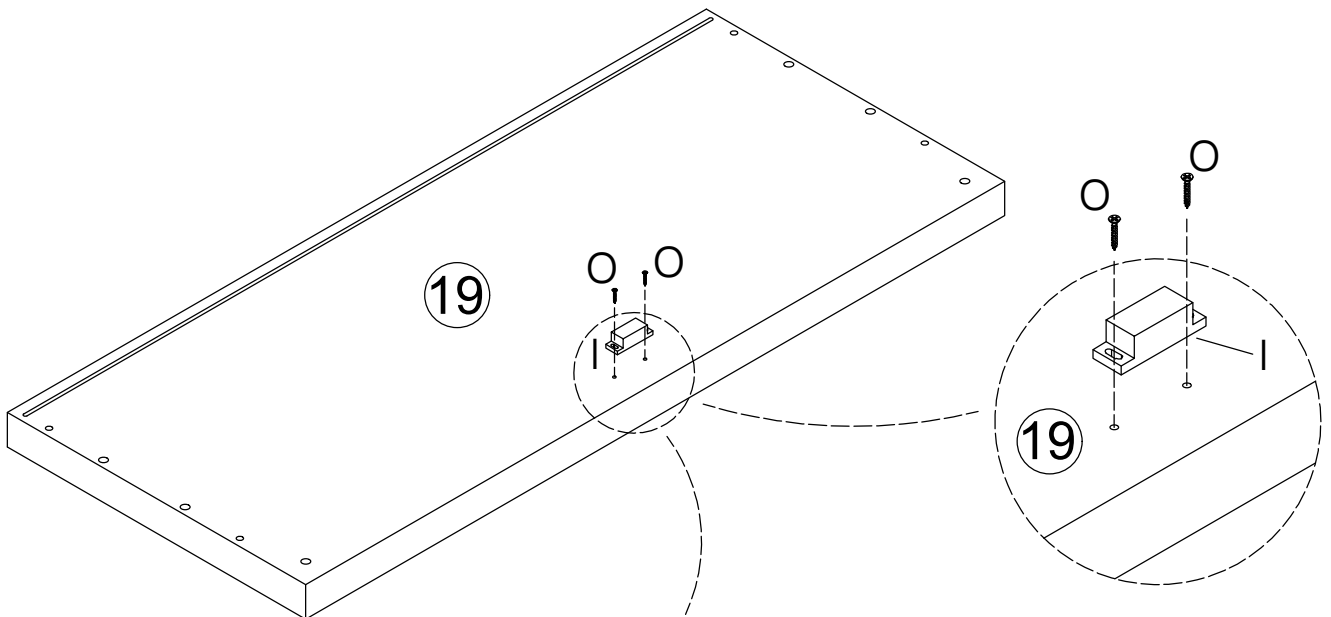


# Step 17



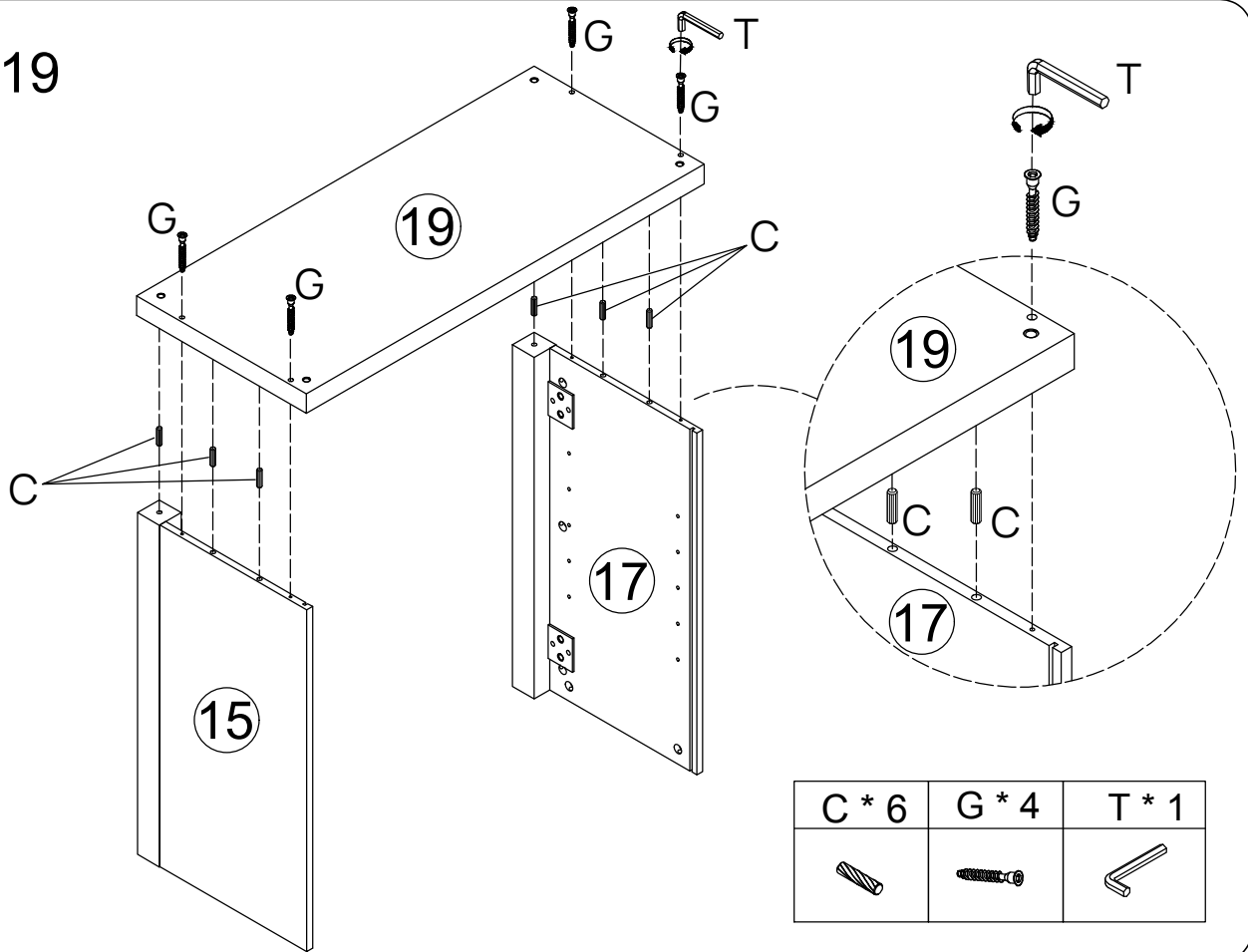
B \* 6

# Step 18

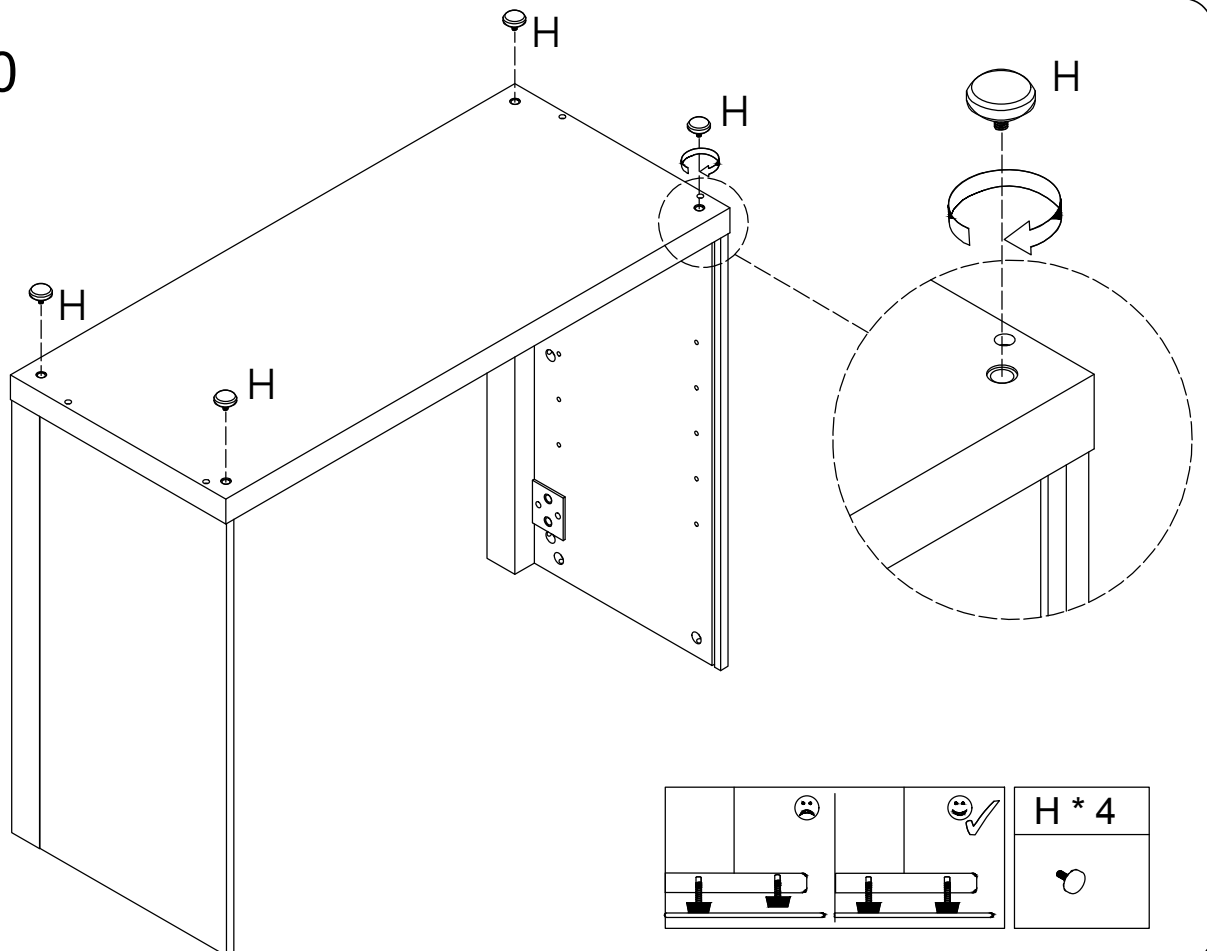


I * 1	O * 2

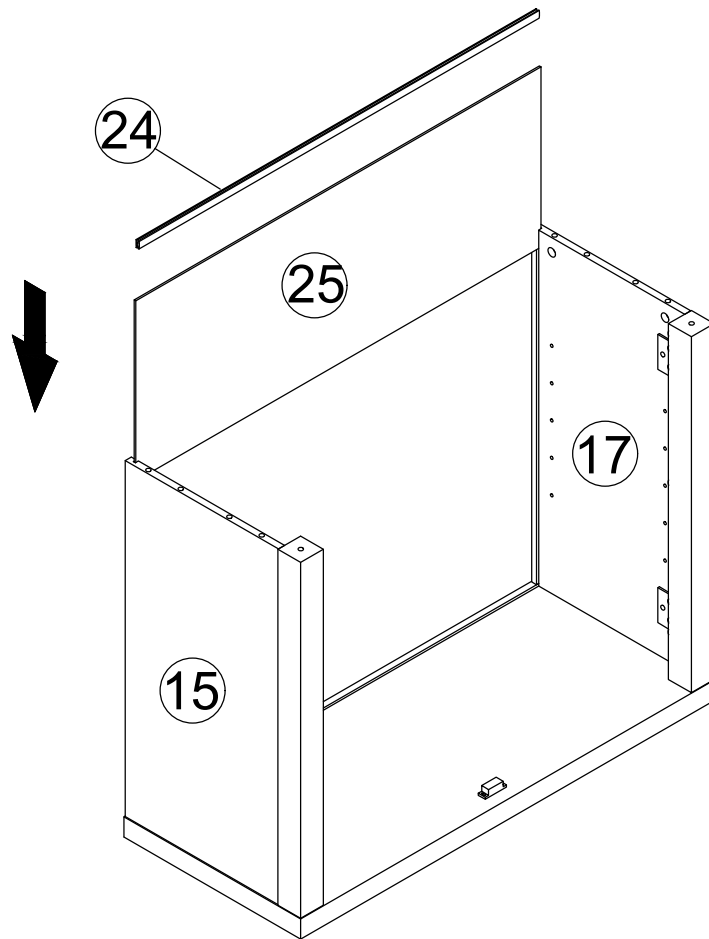
# Step 19



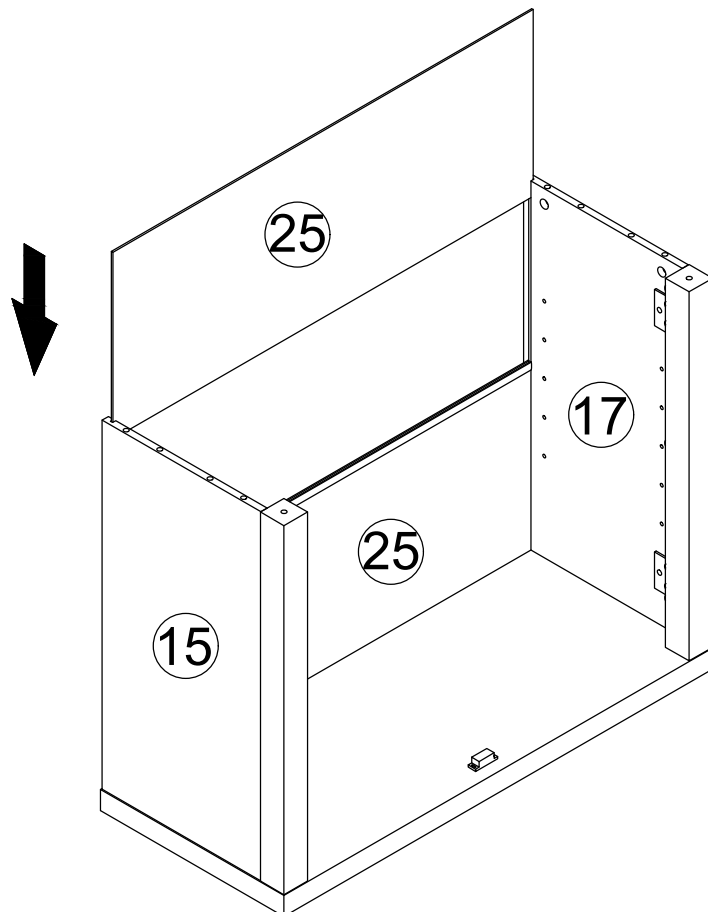
# Step 20



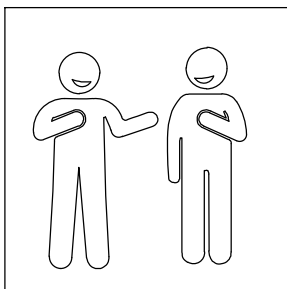
## Step 21



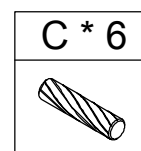
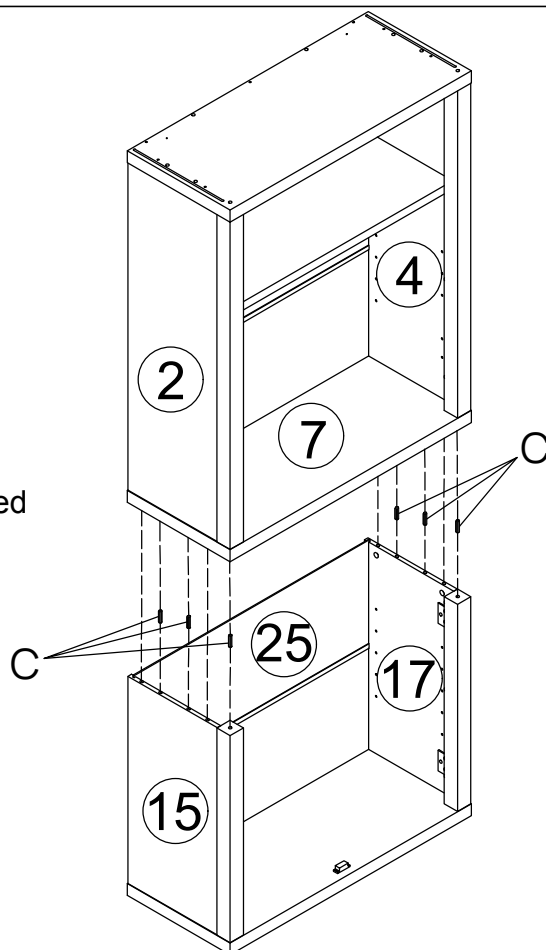
## Step 22



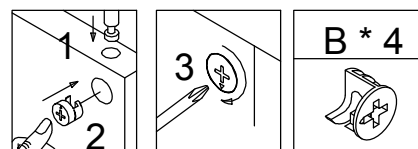
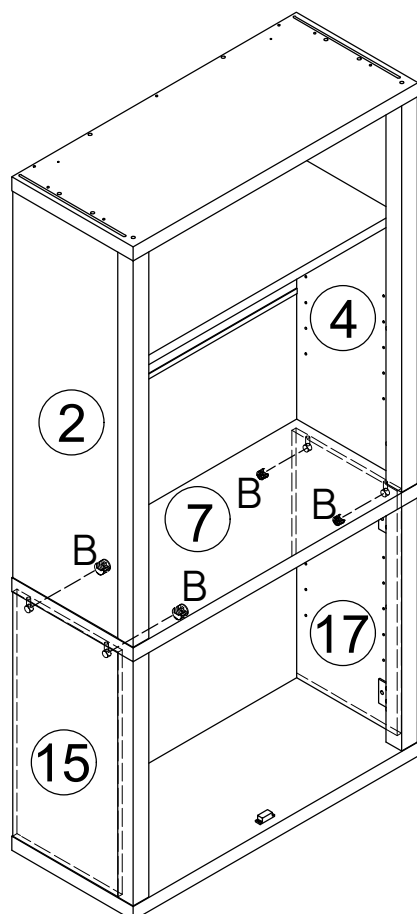
## Step 23



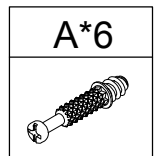
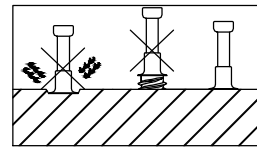
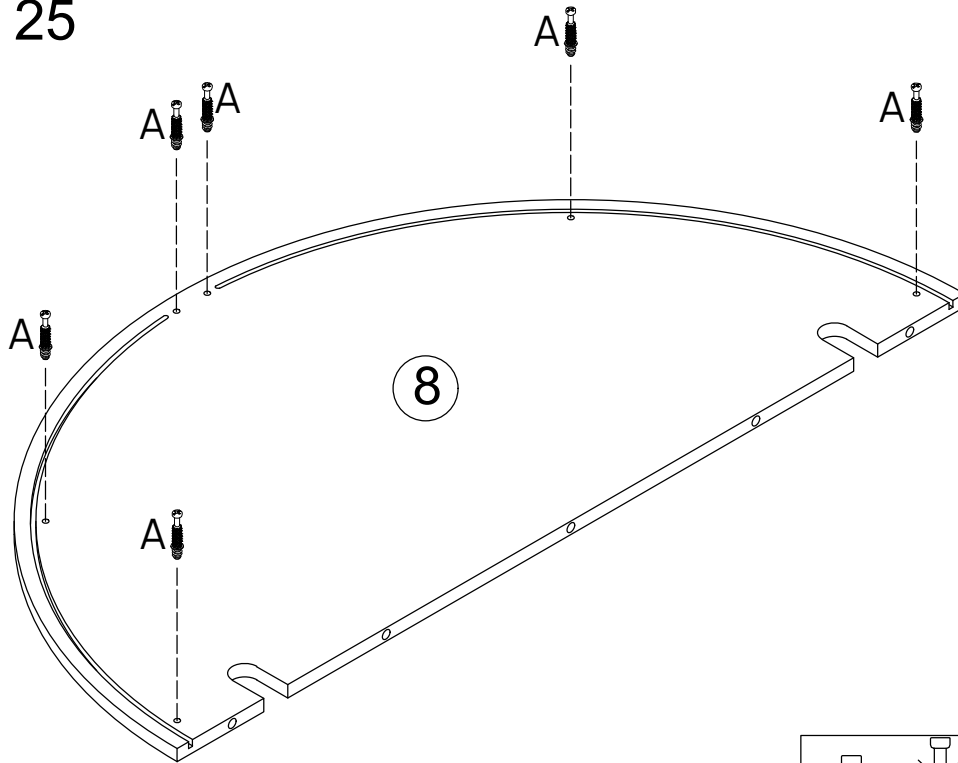
CAUTION : Heavy! You may need assistance with this step.



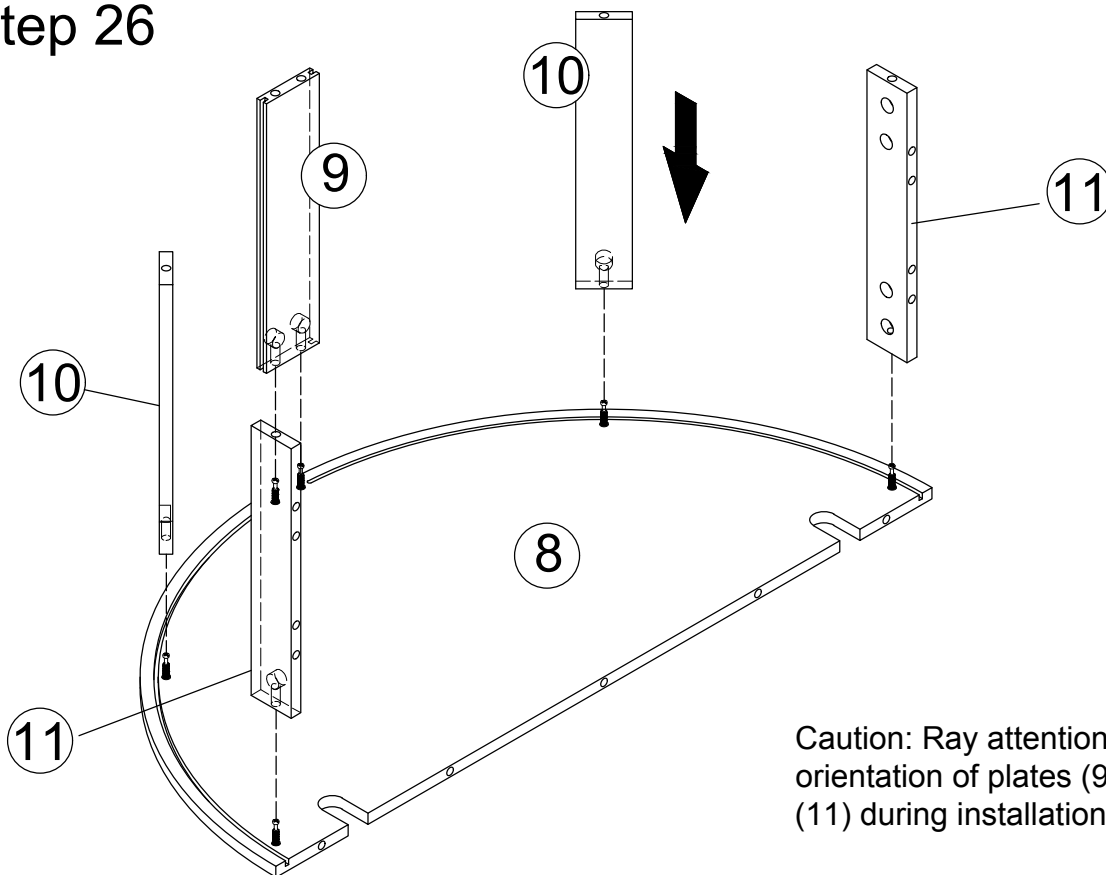
## Step 24



## Step 25

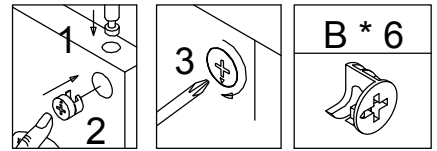
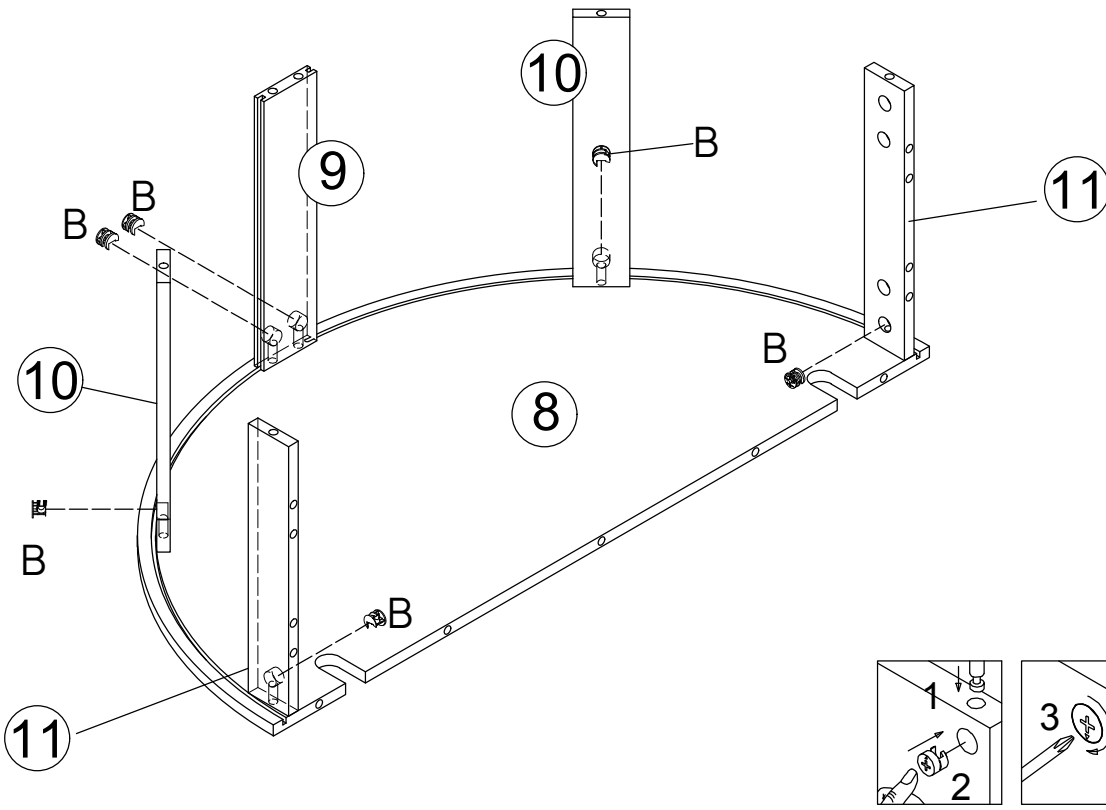


## Step 26

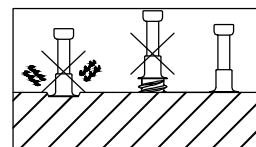
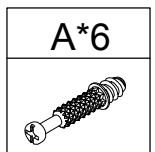
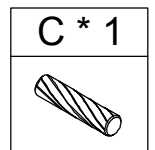
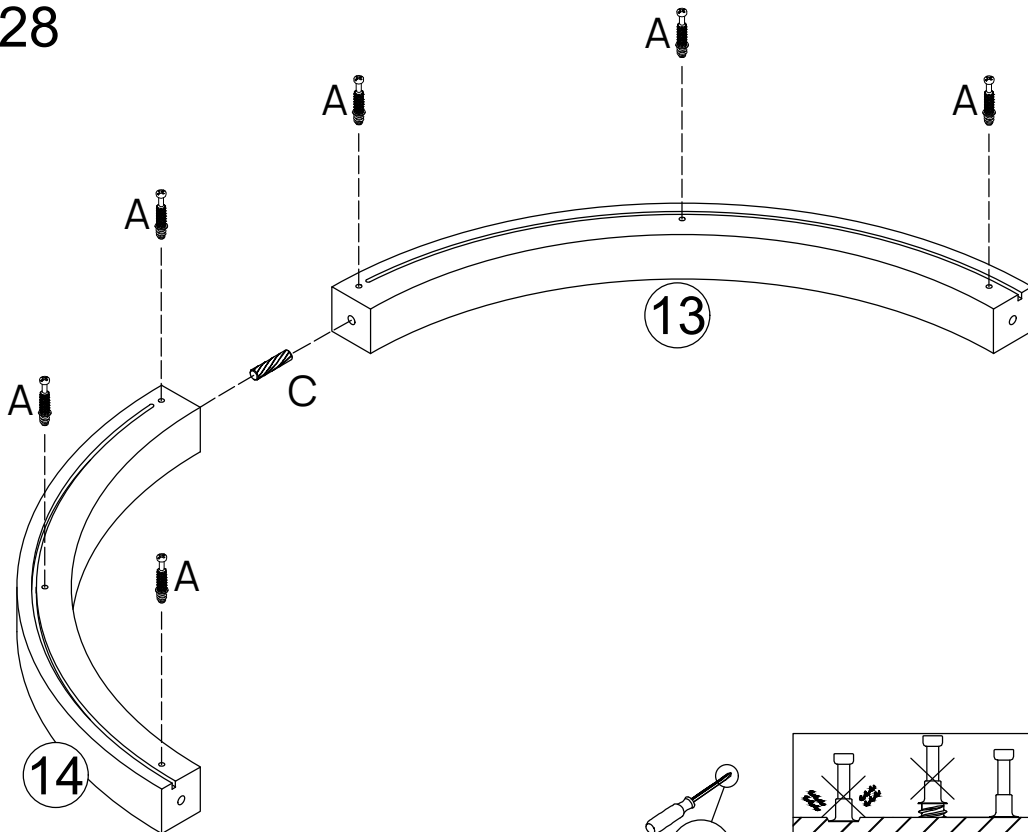


Caution: Pay attention to the orientation of plates (9),(10),and (11) during installation

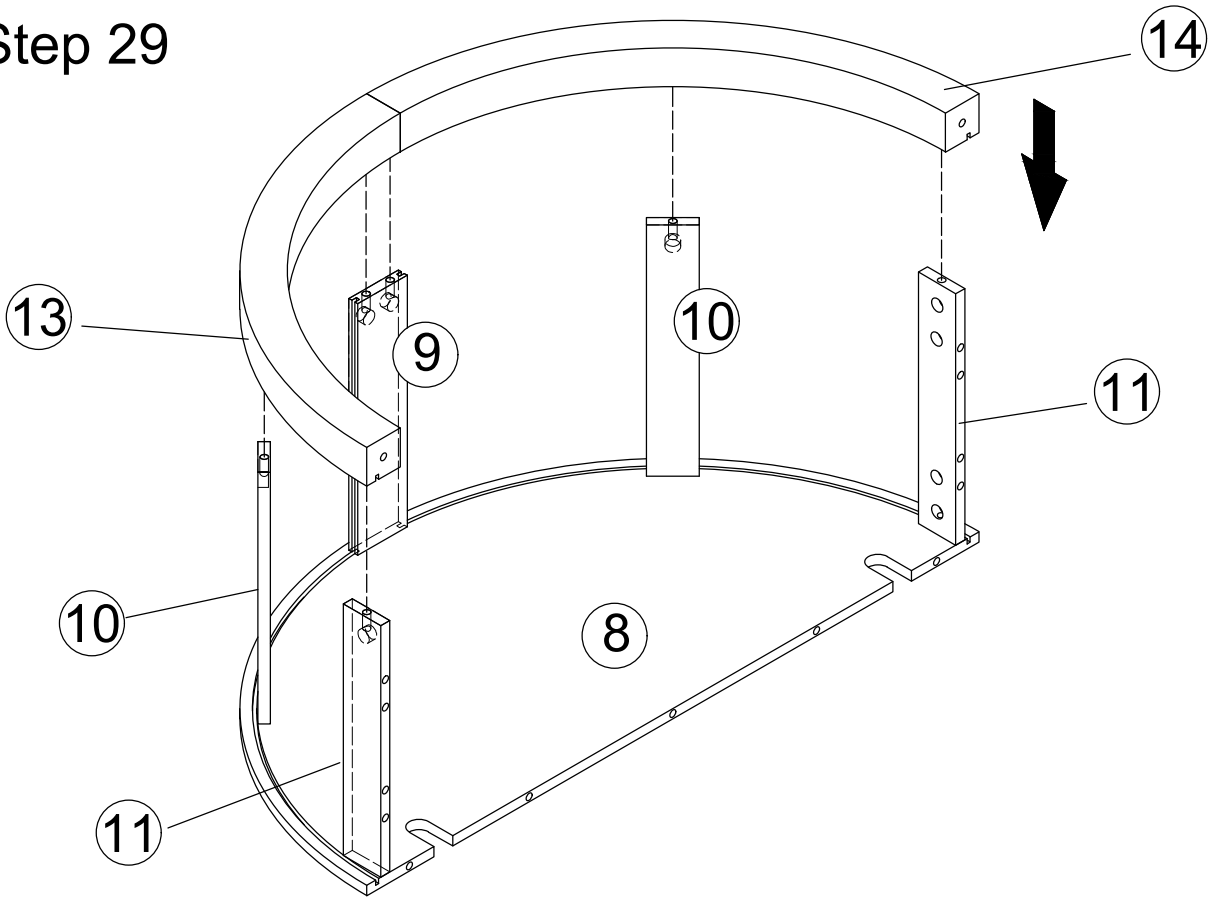
# Step 27



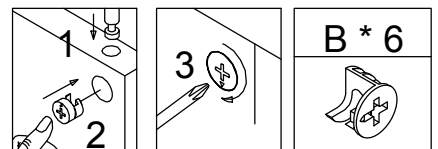
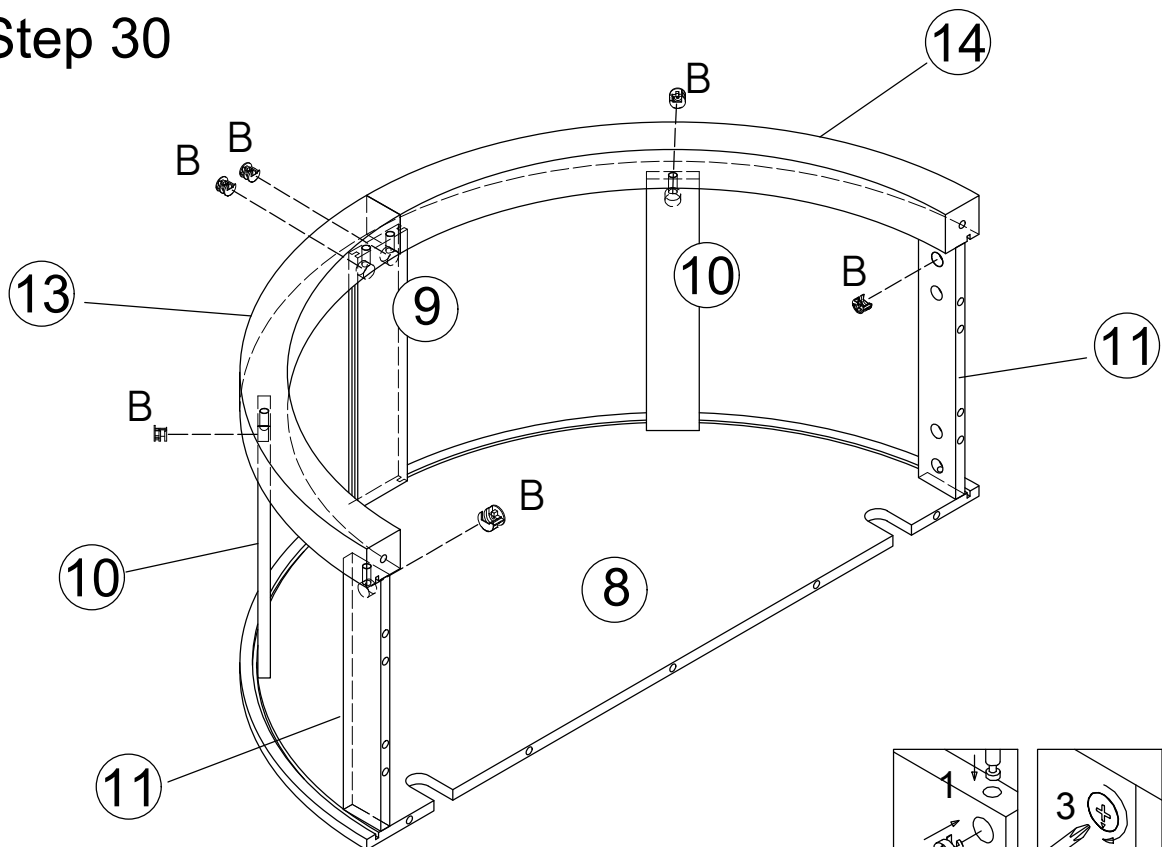
# Step 28



# Step 29

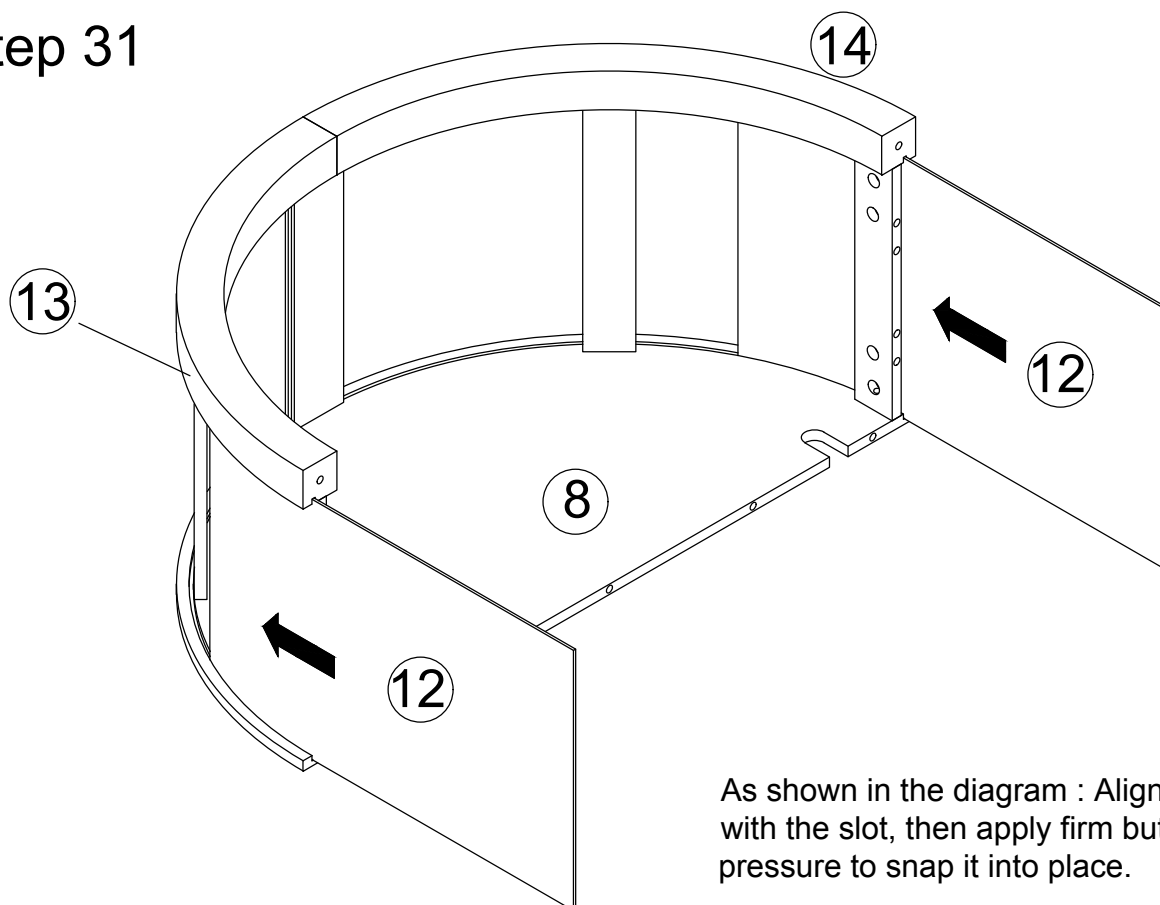


# Step 30

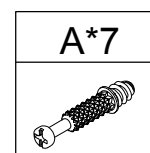
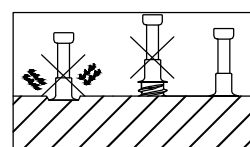
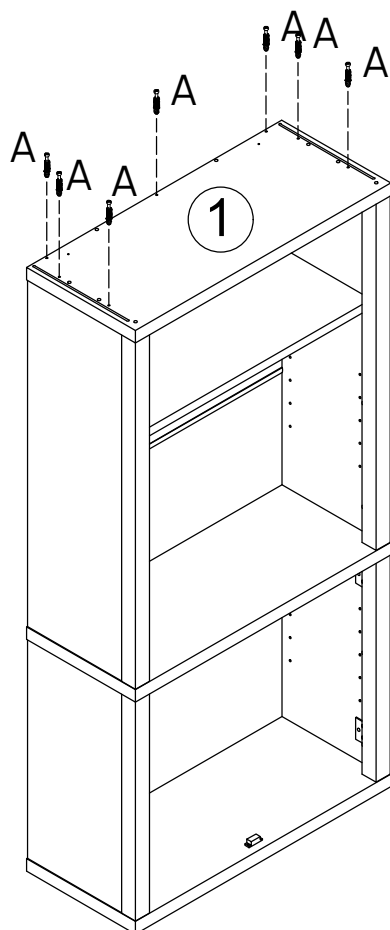


B \* 6

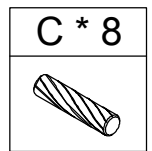
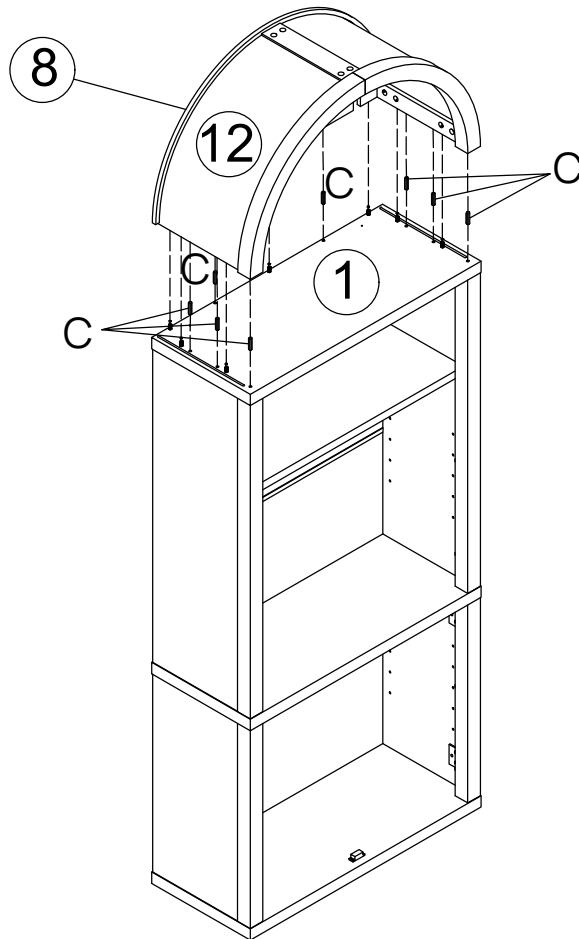
## Step 31



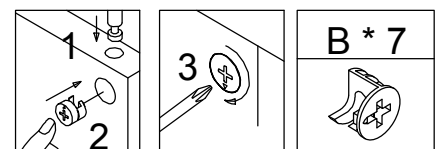
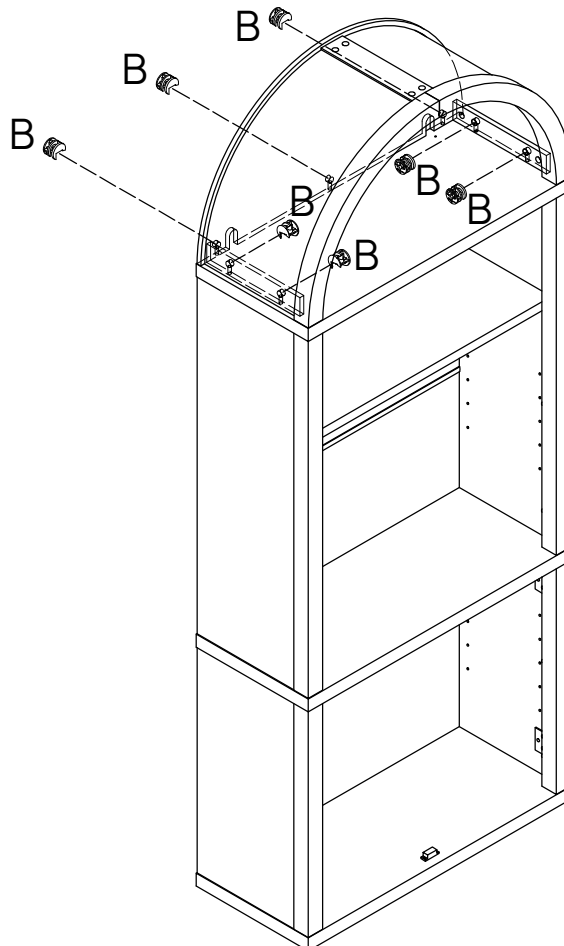
## Step 32



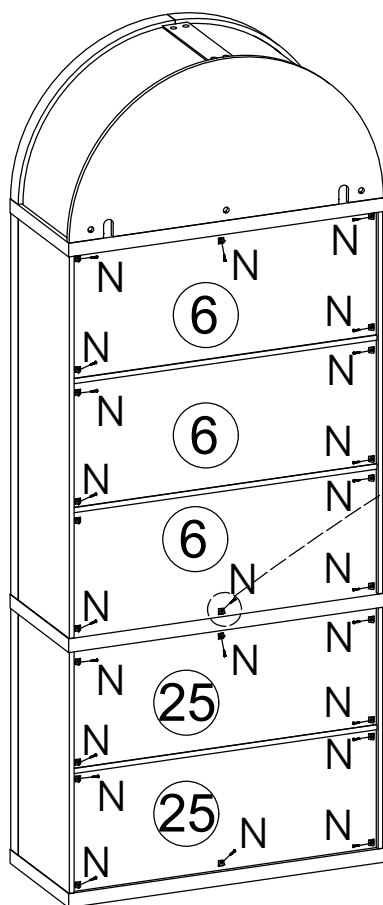
# Step 33



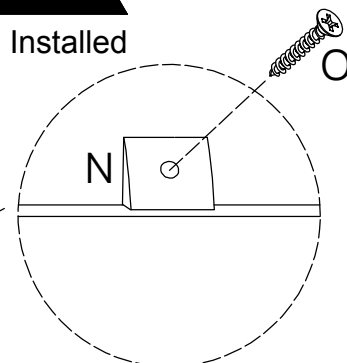
# Step 34

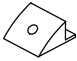



## Step 35

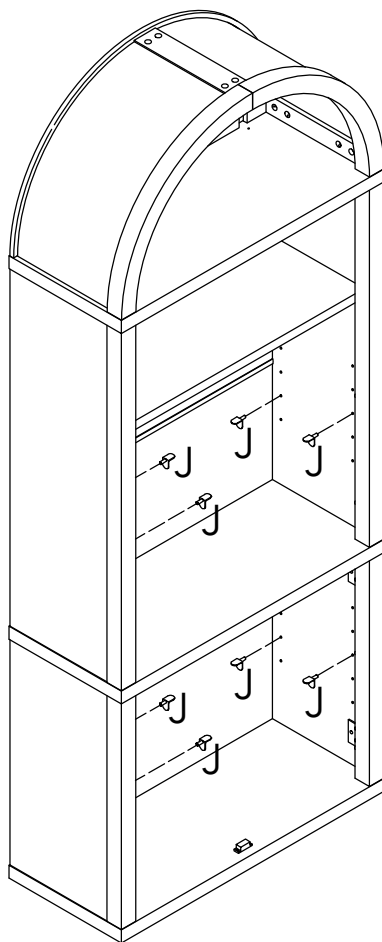



Must Be Installed



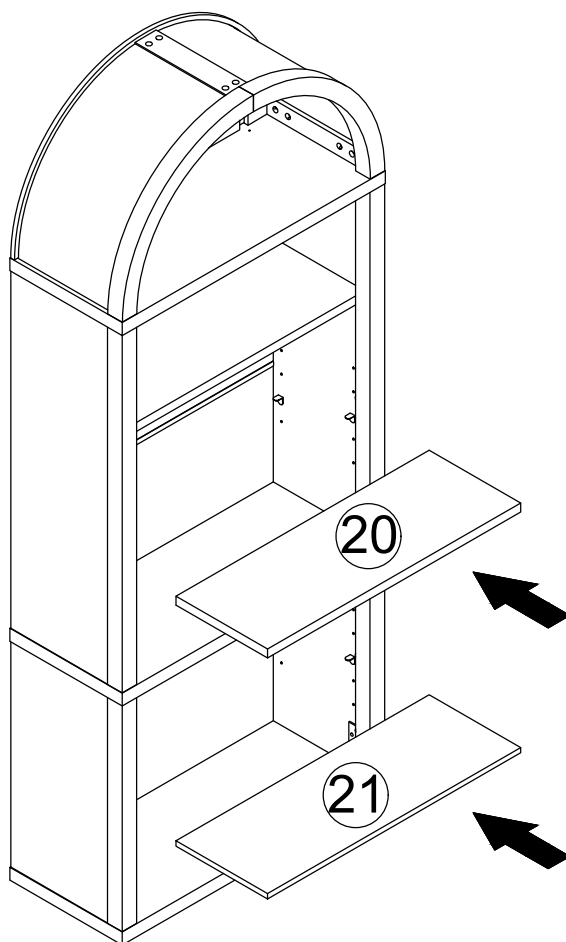
N * 24	O * 24
	

## Step 36

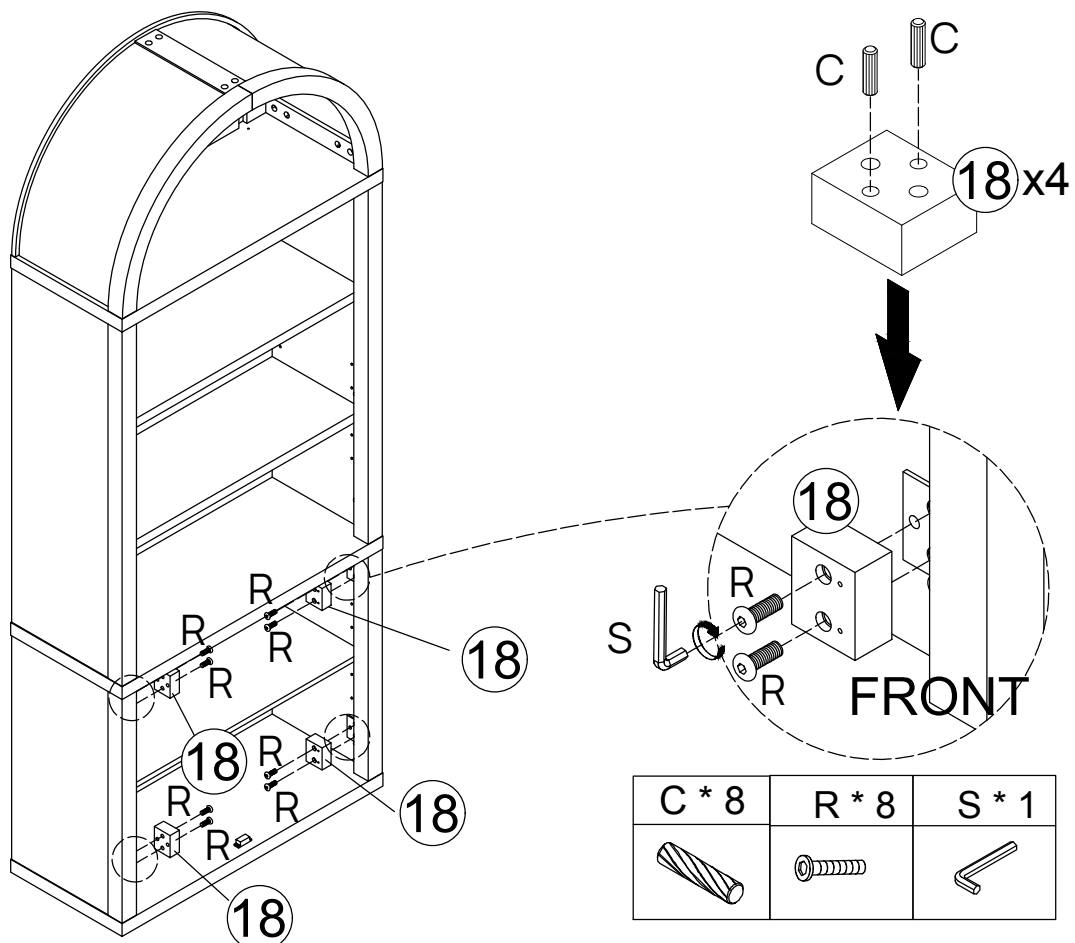


J * 8


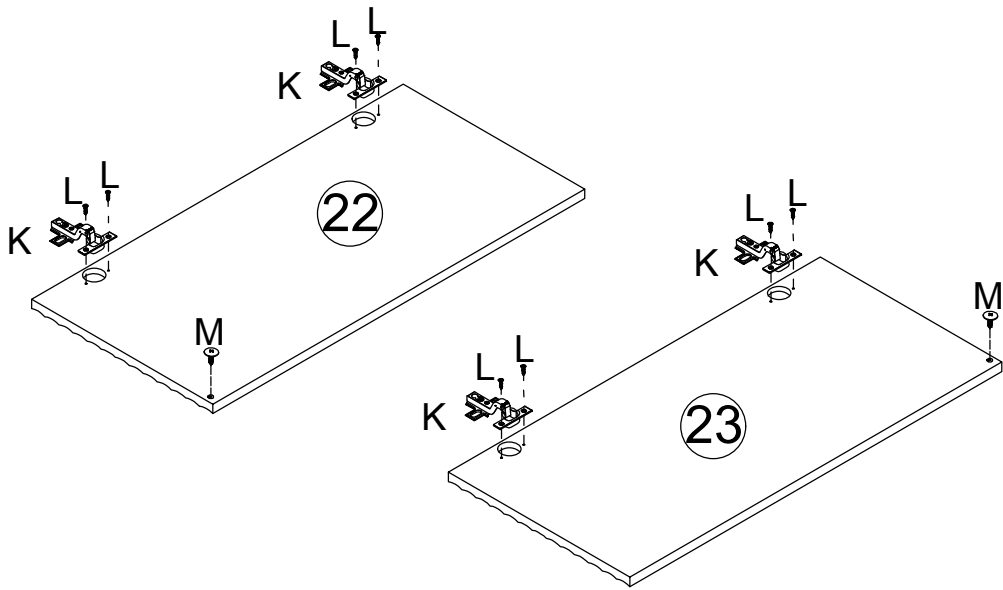
# Step 37



# Step 38

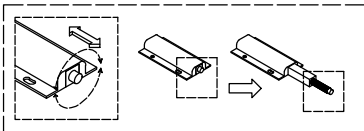


# Step 39

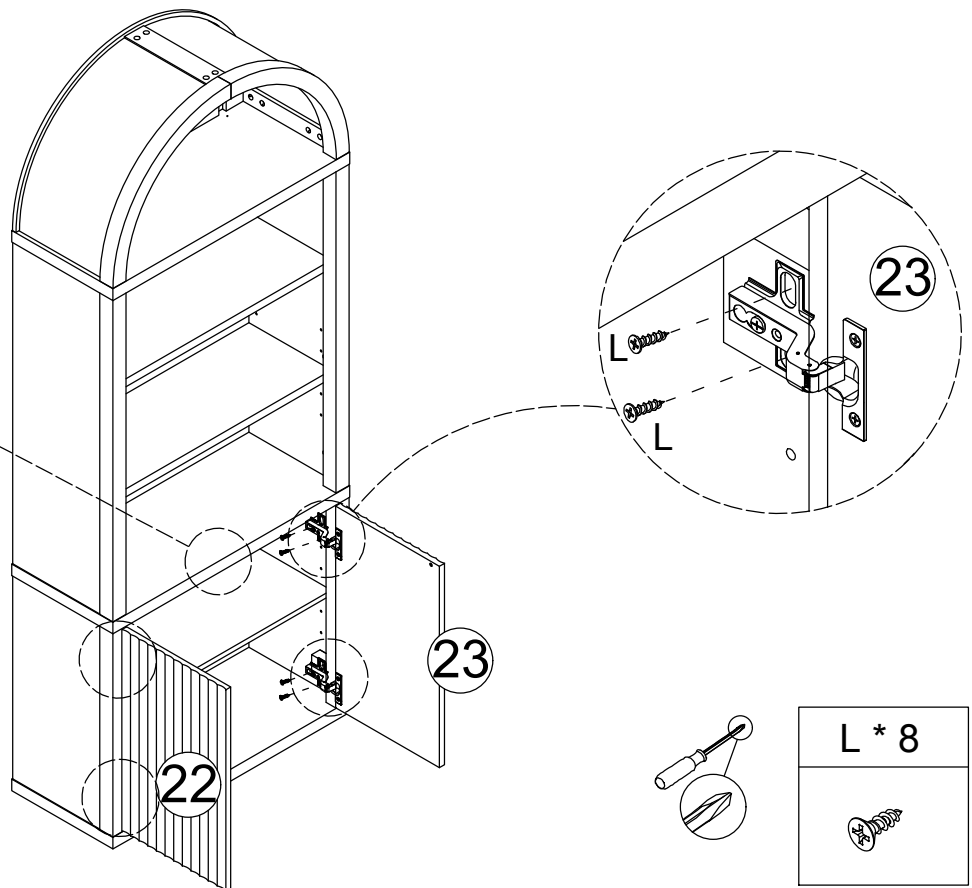


K * 4	L * 8	M * 2

# Step 40



Note: You can adjust the knob of the bouncer to control the bouncing effect.

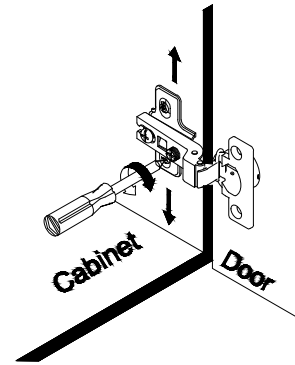
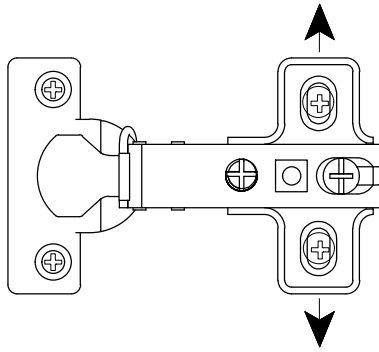
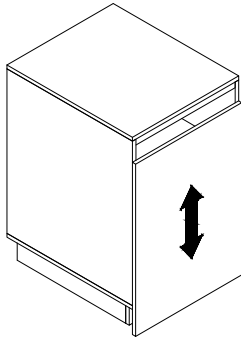


L * 8

# Cabinet Door Adjustment Instructions

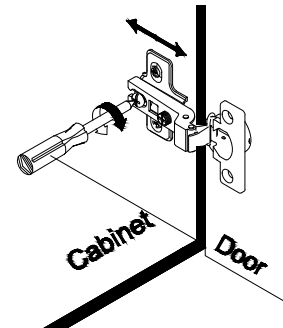
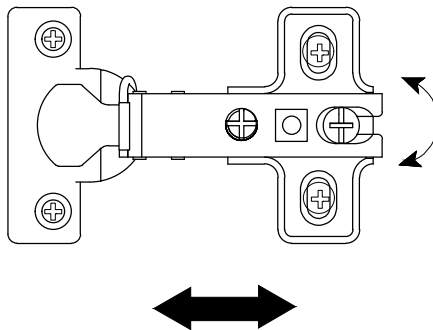
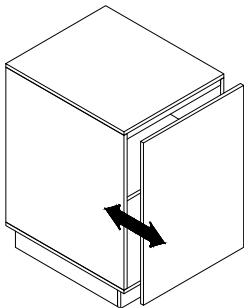
## Height adjustment:

- Locate the height adjustment screws on the hinge.
- Use the Phillips screwdriver to either tighten or loosen the screws to raise or lower the cabinet door as desired.

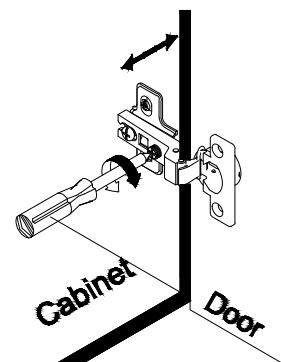
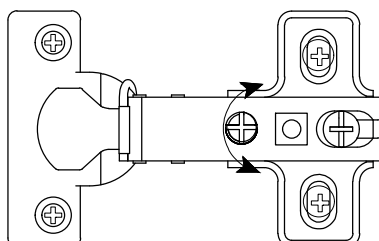
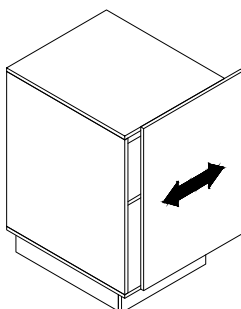


## Side-to-side adjustment:

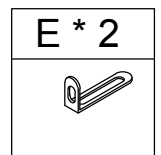
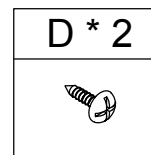
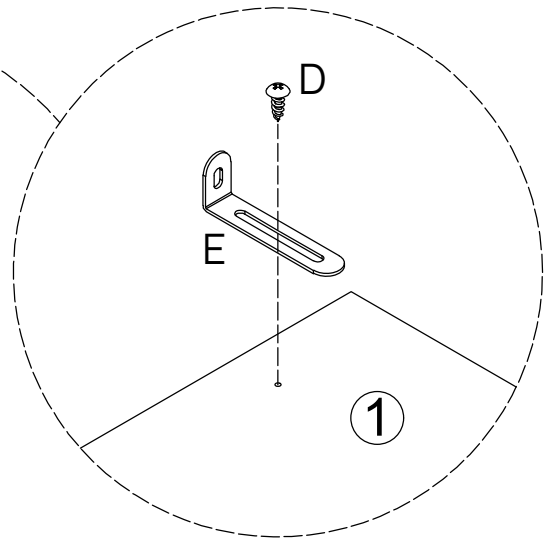
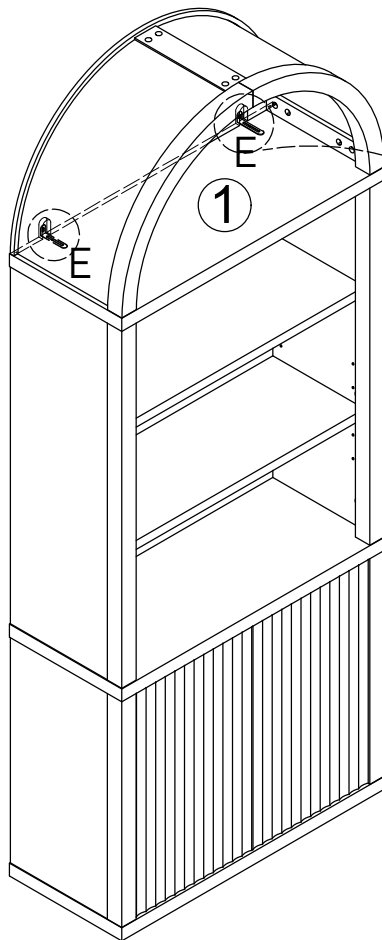
- If the cabinet door needs to be moved closer to or away from the cabinet frame, locate the side-to-side adjustment screws on the hinge.
- Use the Phillips screwdriver to adjust these screws and gradually move the door in the desired direction.



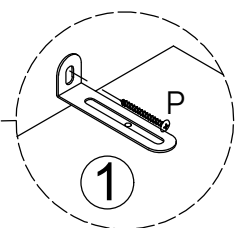
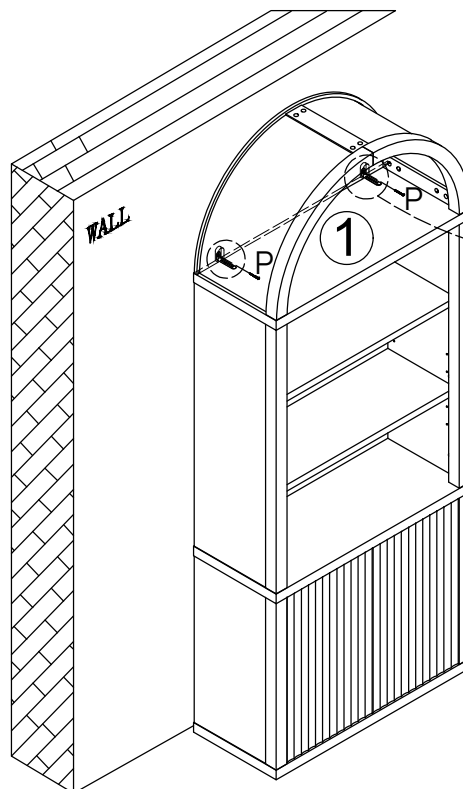
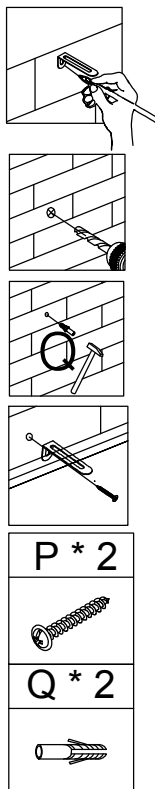
## Depth adjustment (if applicable):



# Step 41

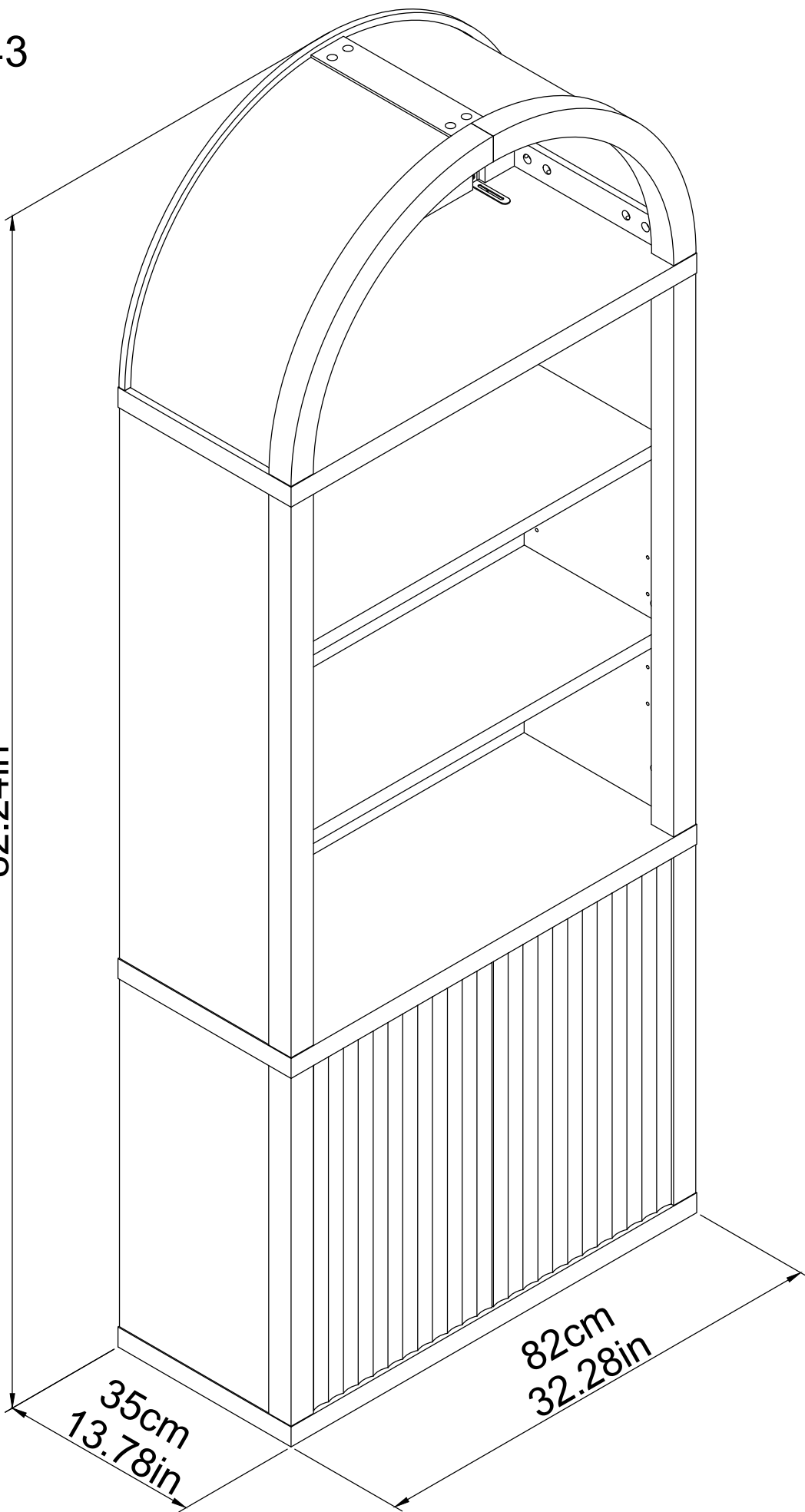


# Step 42



# Step 43

208.9cm  
82.24in



82cm  
32.28in

35cm  
13.78in