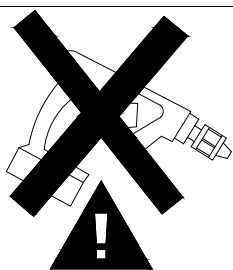
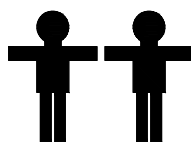


# ASSEMBLY INSTRUCTION

## CONSOLE TABLE

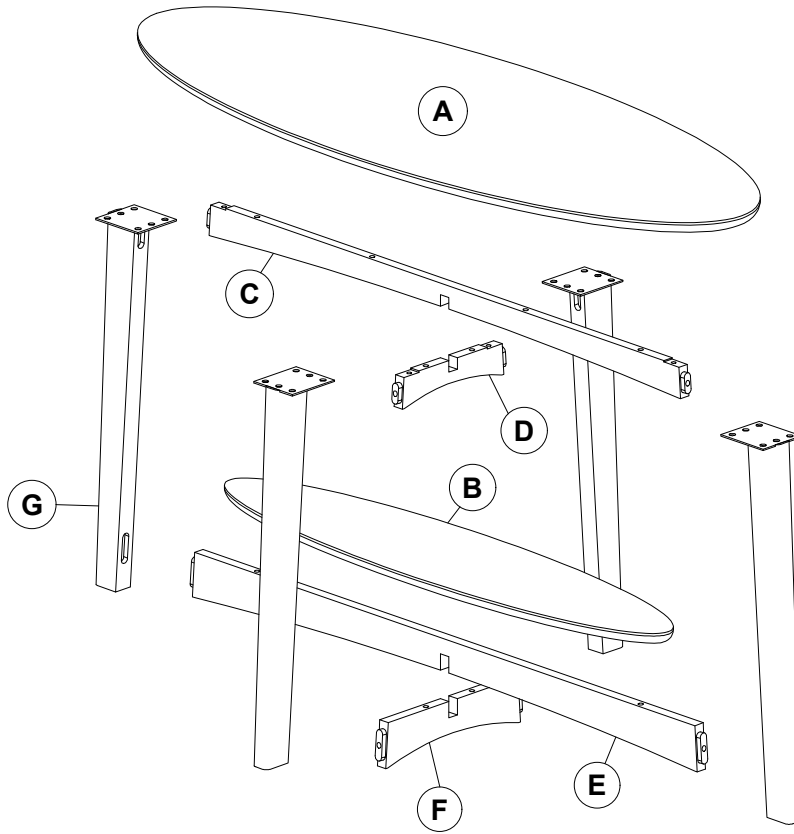


**. Use of power tool to assemble this product will invalidate any claim and damage this product making it unsafe !!!**  
**. Please assemble on a clean soft surface to avoid damage.**

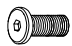


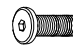
**30 minutes**


# Console Table

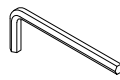


**Identifying the hardware**-Identify the hardware using the illustrations below

**G**  **24**  
M6x15MM BOLT

**H**  **16**  
M6x60MM BOLT

**I**  **04**

**J**  **01**

## Step 01

H

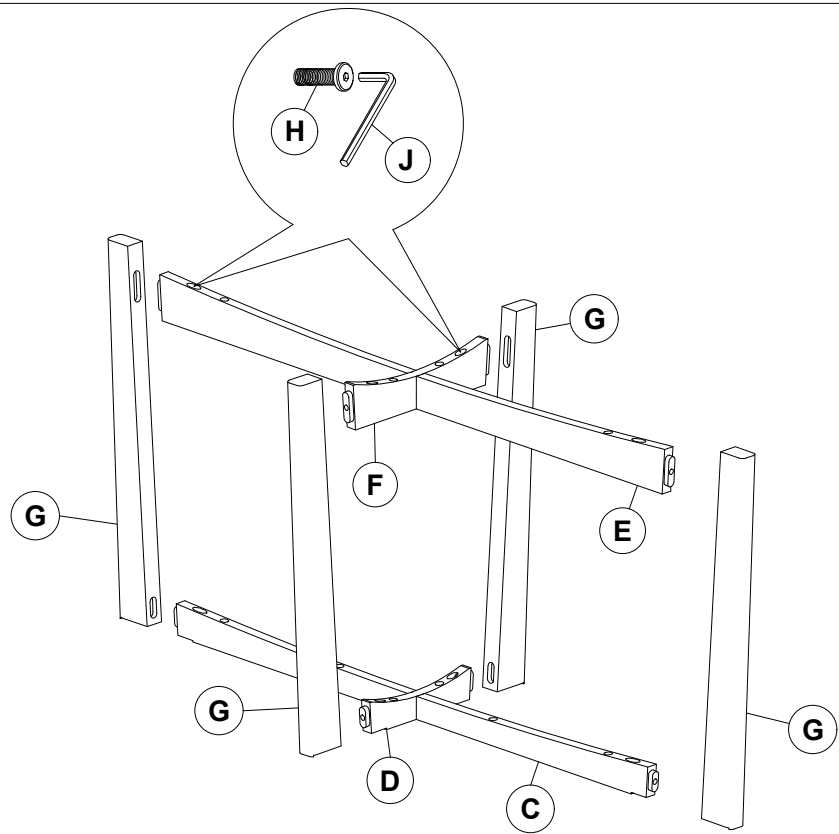
M6x60MM BOLT

8

J



01



## Step 02

H

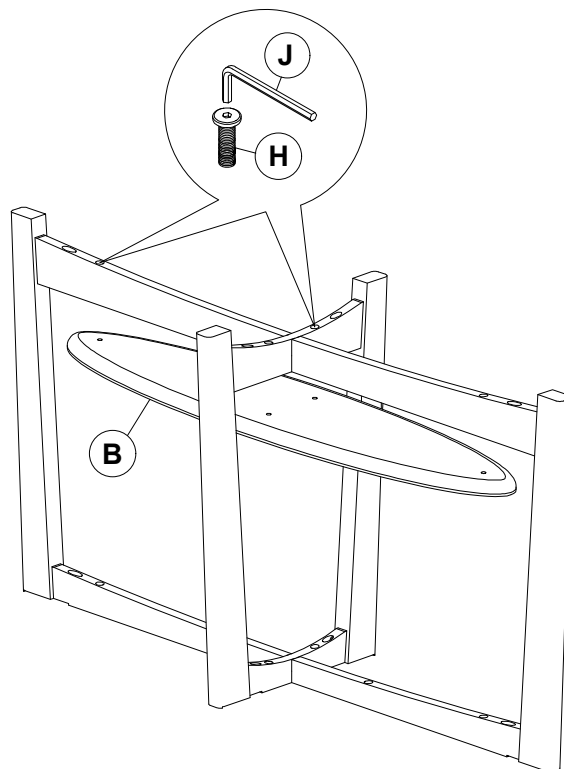
M6x60MM BOLT

04

J



01



### Step 03

**G**

M6x15MM BOLT

**8**

**I**

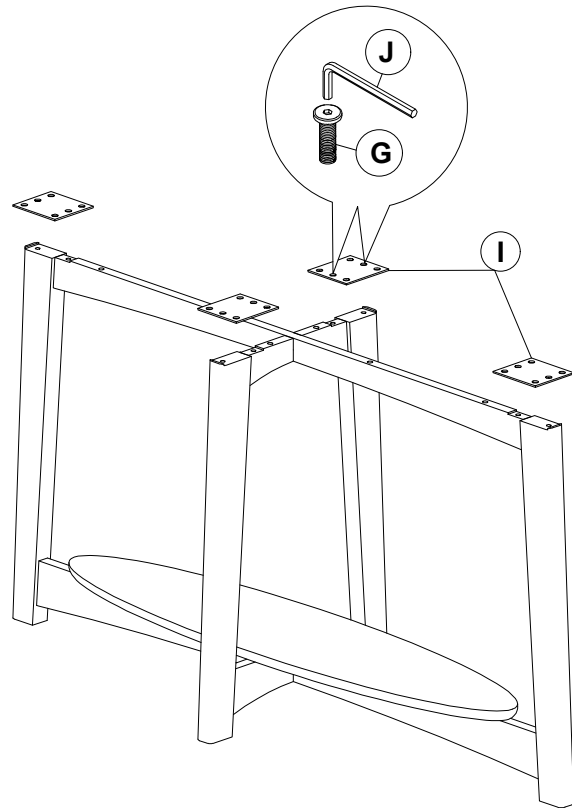


**04**

**J**



**01**



### Step 04

**G**

M6x15MM BOLT

**16**

**H**

M6x60MM BOLT

**04**

**J**



**01**

