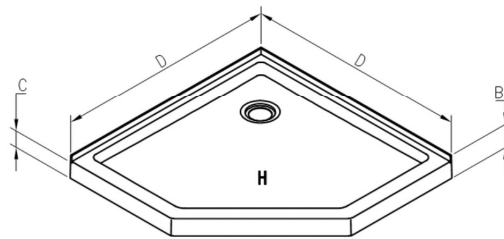
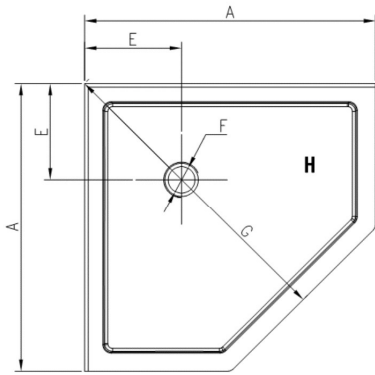


	Measurements	36" Neo angle	38" Neo angle
<b>A</b>	Flange width	<b>36"</b>	<b>38"</b>
<b>B</b>	Showers base height (With flange)	<b>3-1/2"</b>	<b>4"</b>
<b>C</b>	Threshold height (Without flange)	<b>2-1/2"</b>	<b>3"</b>
<b>D</b>	Overall shower base width	<b>36"</b>	<b>38"</b>
<b>E</b>	Drain distance from corner	<b>12"</b>	<b>12"</b>
<b>F</b>	Drain opening diameter	<b>3-3/8"</b>	<b>3-3/8"</b>
<b>G</b>	Base edge length (maximum)	<b>38-1/4"</b>	<b>41"</b>
<b>H</b>	Finished surface area	<b>7.88 sq. ft</b>	<b>8.88 sq. ft</b>



	<b>Measurements</b>	<b>36" Neo angle</b>	<b>38" Neo angle</b>
<b>O</b>	Shower width (wall track to wall track inside shower)	<b>34-3/4"</b>	<b>36-1/2"</b>
<b>U</b>	Shower height	<b>76"</b>	<b>76"</b>
<b>V</b>	Fixed panel width	<b>16-1/8"</b>	<b>18-1/2"</b>
<b>W</b>	Door panel width	<b>23-7/8"</b>	<b>23-7/8"</b>
<b>X</b>	Door opening	<b>22"</b>	<b>22"</b>
<b>Y</b>	Distance between handle holes	<b>17-3/4"</b>	<b>17-3/4"</b>

