

Assembly Instructions

Model No. SVPUPGZB106



Pop-Up Canopy


Retain this manual for future use.

Contents

Safety Instructions	3
Cleaning & Maintenance	4
Parts List	4
Assembly	5
Taking Down the Canopy	8
Spare Parts	10
Drain Holes	11
Warranty	12

IMPORTANT: RETAIN FOR FUTURE REFERENCE, AND READ CAREFULLY.

Safety Instructions

 **WARNING:** To reduce risk of injury: Before any use, be sure everyone using this unit reads and understands all safety instructions and information contained in this manual. Save these instructions and review frequently.

Avoid Dangerous Environment Don't use canopy in damp or wet locations.

Don't Use In Rain

Children Keep Away Keep children a safe distance from assembly area.

Must Be Staked The frame must be staked or properly weighted down at all times.

Use Caution Use extreme caution, even in light wind conditions!

Never Leave Unattended Never leave your shelter unattended! Wind and rain can cause damage to frame and or possibly result in serious injury to you or others.

Do Not Leave Open Your Craftsman Canopy is a temporary pop-up shelter, we do not recommend leaving the canopy open for an extended period of time.

Store Indoors When not in use, canopies should be stored indoors in dry, and high or locked-up place out of reach of children.

Keep Away From Fire Keep all flame and heat sources well away from the fabric top. DO NOT build fires within the shelter.

 **CAUTION**

Take care not to pinch your fingers in the frame during set up and take down.

 **CAUTION**

Never set up or continue to use in any rain, wind, or storm conditions, especially lightning storms. Damage can occur to the tent and put you and others in potential danger.

 **CAUTION**


Avoid setting up the tent on steep inclines.


 **CAUTION**


Do not use this tent for permanent shelter. It is designed for temporary use only.


 **CAUTION**

Never leave tent unattended.

 **WARNING:** Read all safety warnings and all instructions. Failure to follow the warnings and instructions may result in electric shock, fire, and/or serious injury.

 **WARNING:** Never modify the product or any part of it. Damage or personal injury could result.

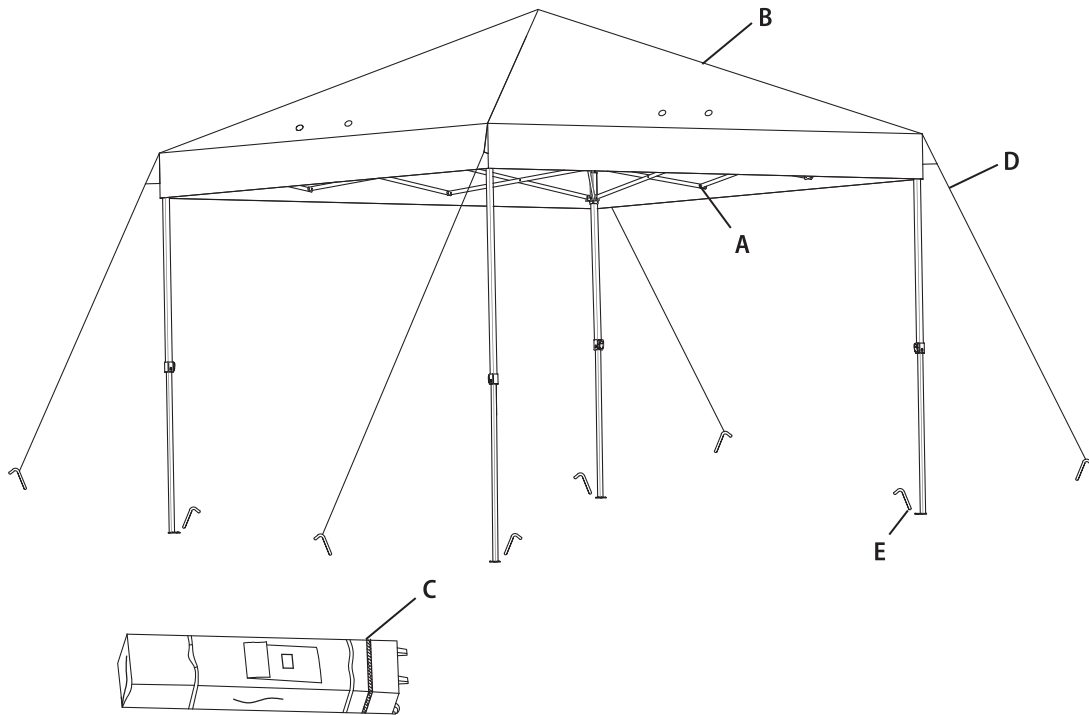
 **WARNING:** To reduce the risk of injury, read the instruction manual.

 **WARNING: Dress Properly** KEEP ALL FLAME AND HEAT SOURCES AWAY FROM THIS TENT FABRIC. This tent meets the flammability requirements of CPAI-84. The fabric may burn if left in continuous contact with any flame source. The application of any foreign substance to the tent fabric may render the flame resistant properties ineffective.

Cleaning and Maintenance

- Hand wash the canopy using only mild soap and water. Never use harsh detergents, abrasives, or bleach.
- Do not machine wash.
- Never fold or store the canopy when it is wet or damp. Allow it to dry completely to avoid mildew.

Parts List



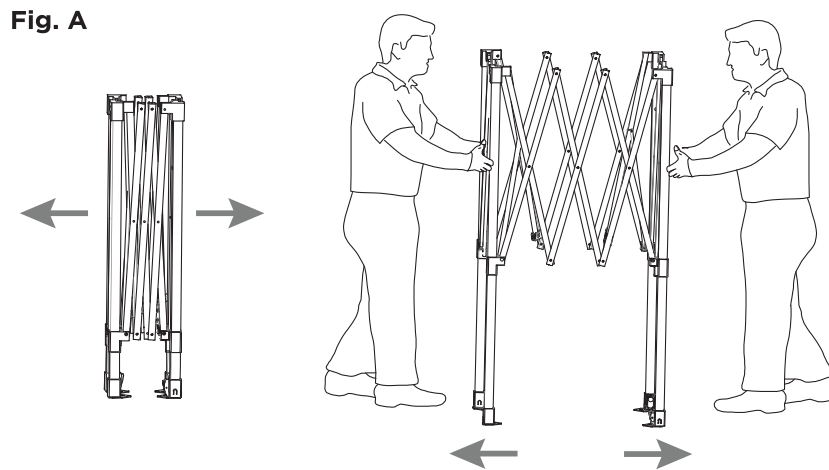
A Frame - 1
B Canopy - 1
C Carry Bag - 1
D Guy Line - 4
E Stakes - 8

Assembly

STEP 1

Opening the Canopy Frame (Fig. A)

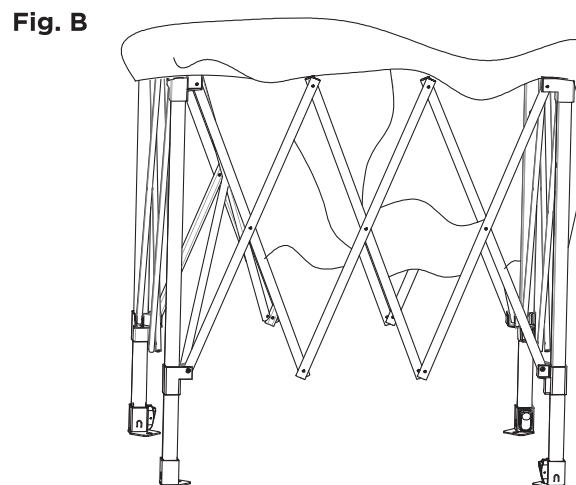
With a person on each end, lift and partially pull the canopy apart.



STEP 2

Attaching the Canopy

Position the canopy on the center of the frame and hook the four corners of the canopy to the four hooks on the center structure of the frame.

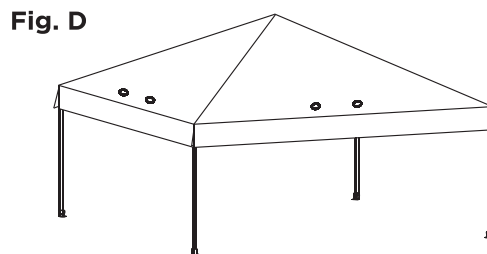
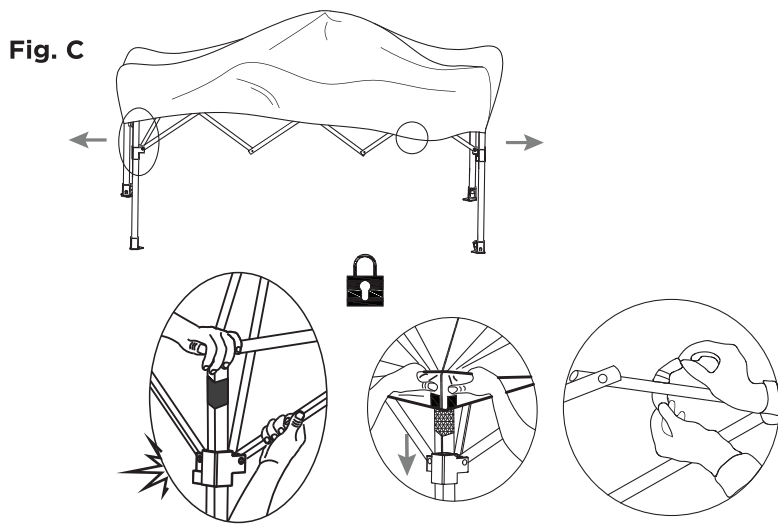


Assembly (continued)

STEP 3

Locking the Frame (Fig. C, D)

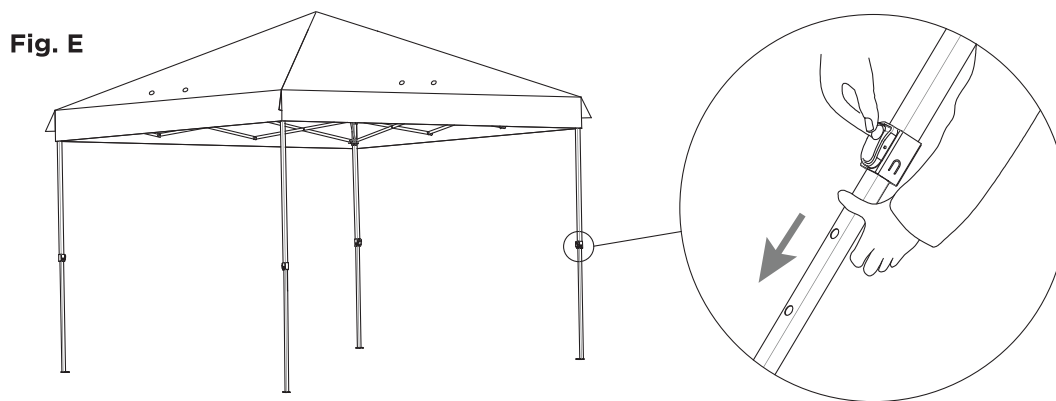
From under the canopy, place one hand on the upper frame and use the other hand to push the central hub straight up until it clicks into the central pole. Finish attaching the canopy inside the canopy frame using the Velcro loops.



STEP 4

Adjusting the Canopy Height (Fig. E)

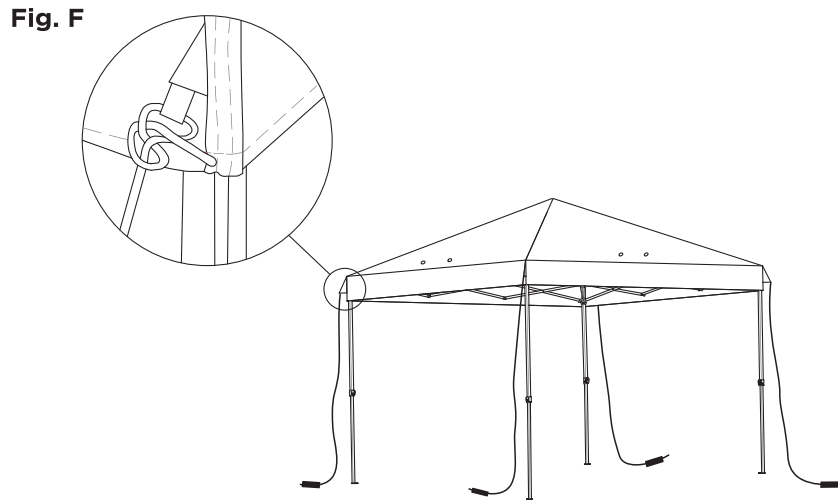
Press the red button on each leg and raise or lower to adjust the canopy height.



Assembly (continued)

STEP 5

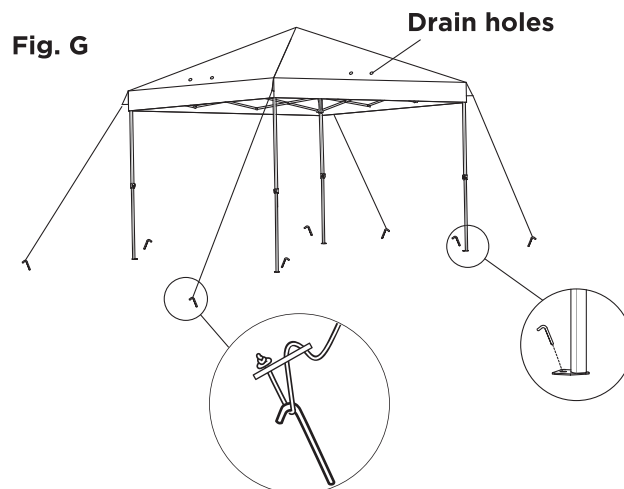
Attaching Guy Lines to Canopy (Fig. F)



STEP 6

Securing Canopy in Place

Measure out from each leg to a proper distance and secure four stakes to the ground. Tie the pre-attached ropes to the stakes in the ground. Ensure the rope has the proper tension by adjusting the plastic adjusters on the ropes. Do not attach the ropes to the drain holes.



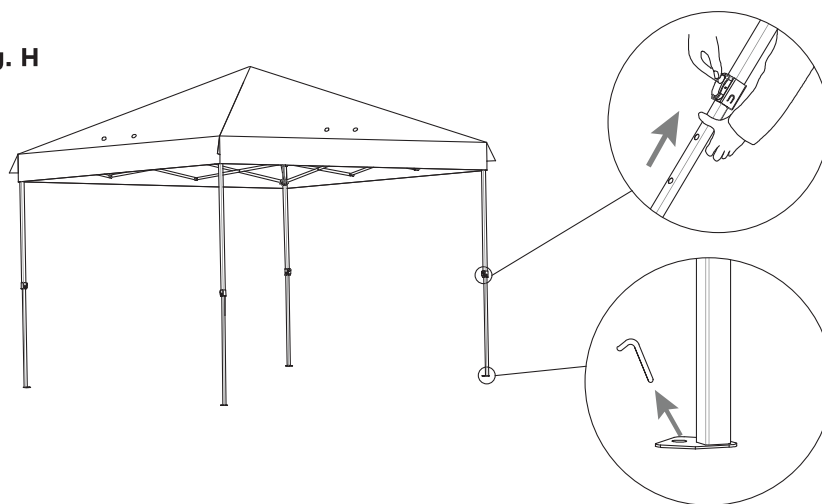
Taking Down the Canopy

STEP 7

Removing the Stakes and Shortening the Legs (Fig. H)

From under the canopy, place one hand on the upper frame and use the other hand to push the central hub straight up until it clicks into the central pole. Finish attaching the canopy inside the canopy frame using the Velcro loops.

Fig. H



STEP 8

Collapsing the Canopy (Fig. I, J)

From under the canopy, place one hand on the upper frame and use the other hand to push the central hub straight up until it clicks into the central pole. Finish attaching the canopy inside the canopy frame using the Velcro loops.

Fig. I

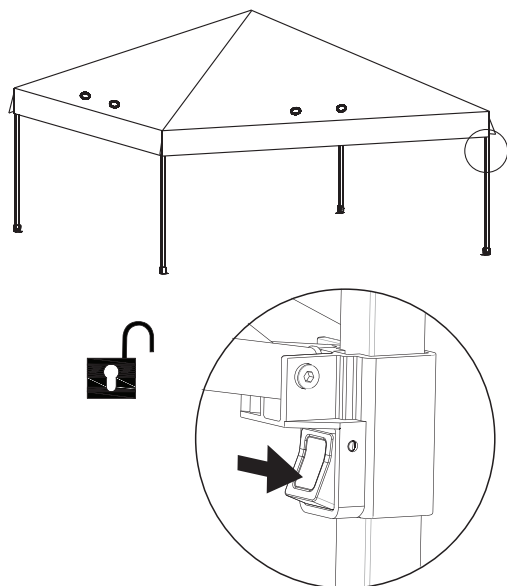
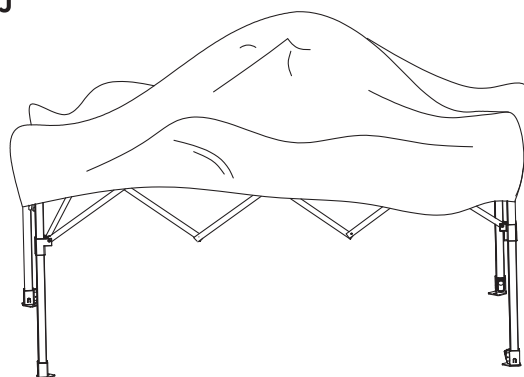


Fig. J



Taking Down the Canopy (cont)

STEP 9

Folding the Frame (Fig. K, L)

Lift one corner of the frame until all legs are raised off the ground except for the 1 leg on the opposite corner. Push inward until the frame is fully closed.

Fig. K

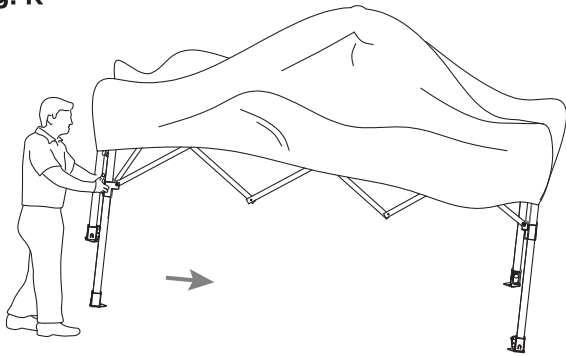
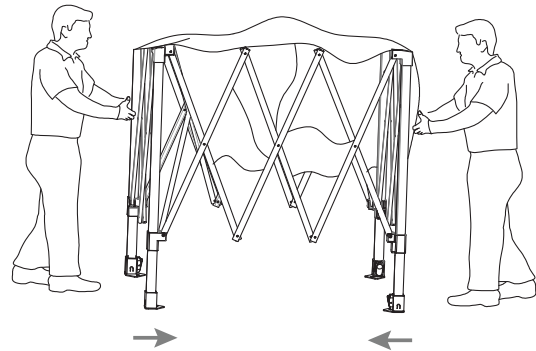


Fig. L

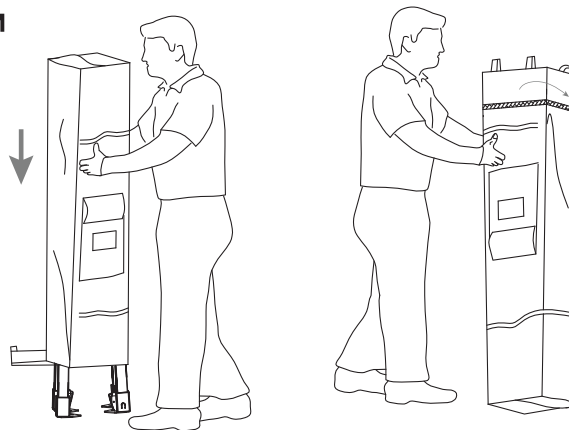


STEP 10

Packing the Canopy in the Storage Bag (Fig. M)

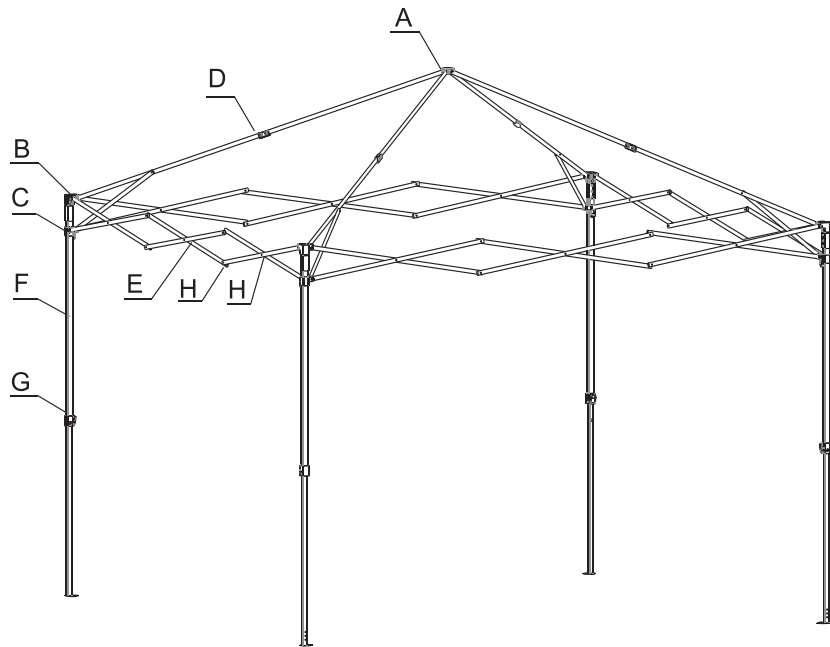
With the canopy feet facing the rollers, slide the wheeled storage bag over the closed canopy frame. Close the zipper on the wheeled storage bag.

Fig. M

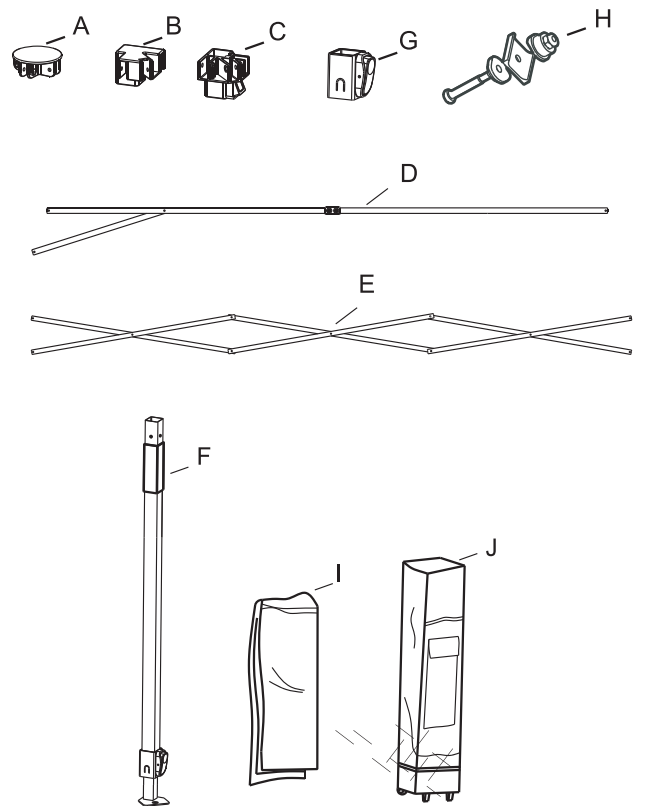


Spare Parts

To inquire about replacement parts, please call 1-866-988-3300.



A
B Top Cap
C Slider
D Ceiling Assembly
E Eave Assembly
F Leg Assembly
G Leg Extend
H Bolt Kit
I Canopy
J Wheeled Storage Bag



Drain Holes

The design team in order to improve the product experience with your canopy, has implemented two drain holes with grommets in the top of the canopy on all four sides of the canopy top located by the outer frame.

The design change was made to help alleviate water “ponding” on the top fabric of the instant canopy during inclement weather due to heavy rain wind. This change will allow water to drain efficiently from the top fabric of the instant canopy.

Please keep in mind, these drain holes are not intended for the guide ropes to be attached in this location, please use your guide ropes in the intended areas per the instruction manual.

