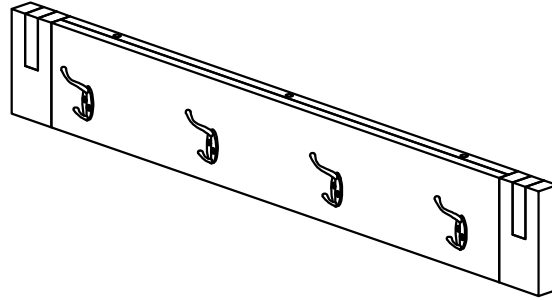




Woodstock Collection Coat Hook

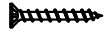

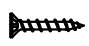


Thank you for purchasing the Woodstock Collection Coat Hook. We have found it helpful to have a second person present during the assembly process.

Coat Hook Assembly Instructions

Parts

NO.	DRAWING	DESCRIPTION	QTY
A		COAT HOOK	1
B		FRENCH CLEAT	2

NO.	DRAWING	DESCRIPTION	QTY
C		4x40MM	4
D		HANGER	4
E		4x20MM	8

Step 1

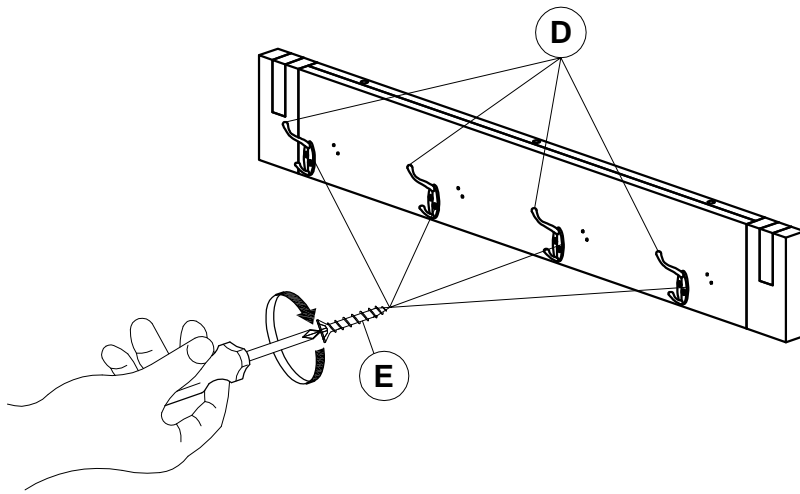
Read through these instructions thoroughly before beginning assembly. We have found this to be of great value when assembling this product.

Step 2

Remove all parts and hardware from packing material. Wooden pieces should be placed on a non abrasive surface to prevent damage to the finish

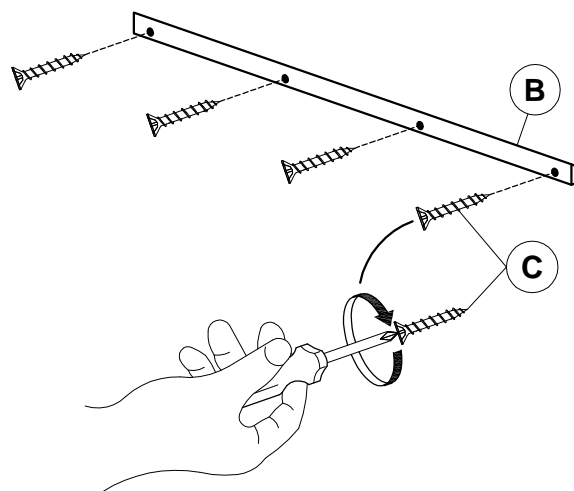
Step 3

Lay Coat Hook Assembly (A) on a non abrasive surface. Attach 4 Hangers (D) using 8-4x20MM Wood Screws (E).



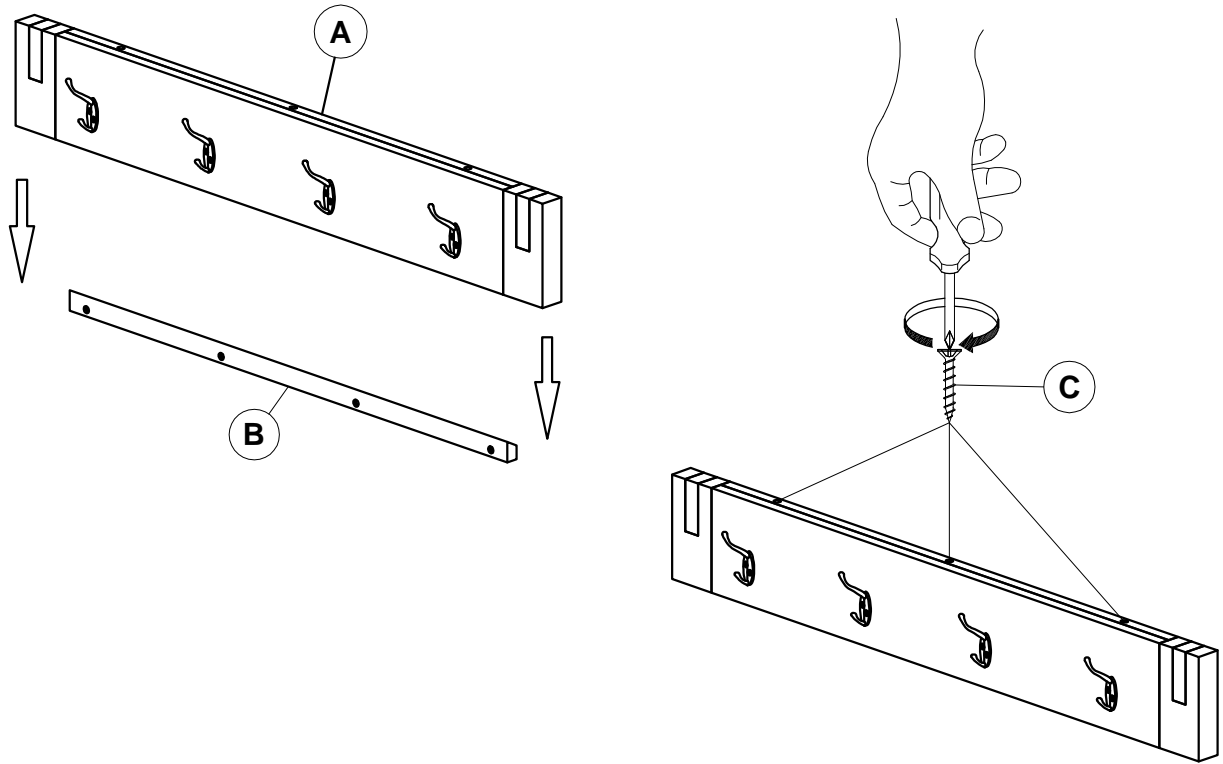
Step 4

Remove the French Cleat (B) from the back of the Coat Hook (A) by unscrewing 3 pre-installed Wood Screws (C). Locate studs behind drywall in desired location. Attach French Cleat (B) to wall studs with 3 Wood Screws (C)



Step 5

Set Coat Hook (A) on French Cleat (B). Secure Coat Hook (A) to French Cleat (B) by installing 3 Wood Screws (C).



CARE

Clean with a non abrasive cloth using a mild soap. Make sure to wipe dry.
