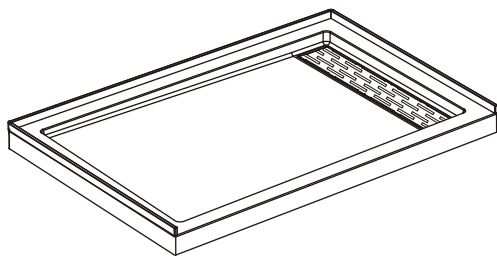


INSTALLATION MANUAL

- ⚠ Before starting installation, please take a few minutes to READ THIS MANUAL CAREFULLY.
⚠ Please check the product CAREFULLY for any visible damage.

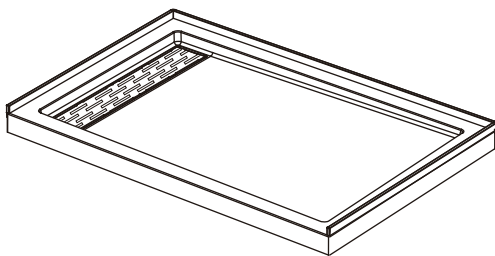
PASSO

Model : MVNSB1001WHR



PASSO

Model : MVNSB1001WHL



SAVE THIS GUIDE FOR FUTURE REFERENCE.



Table Of Contents

Table Of Contents	2
Tools	2
Parts And Components	3
Base Installation	4-12

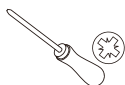
Tools



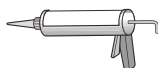
Tape Measure



Pencil



Phillips Screwdriver



Silicone



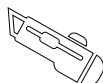
Power Drill



**Drill Bit
Ø3/16"
(5mm)**



Safety Glasses



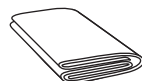
Razor Knife



1/2" Square Notched Trowel



Level



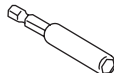
Soft Cloth Or Blanket



Shims



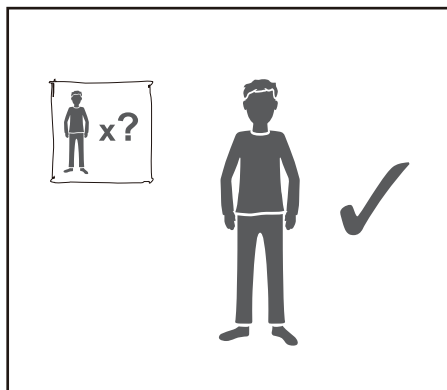
#1 Square Driver Bit



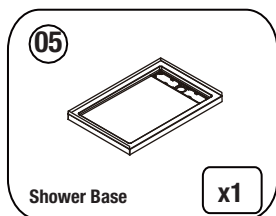
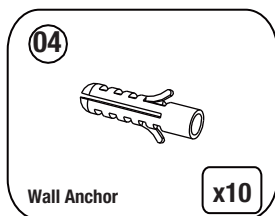
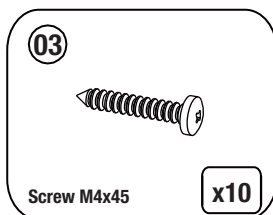
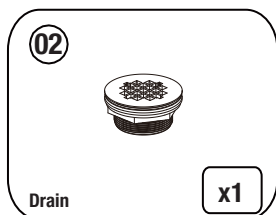
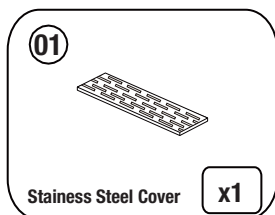
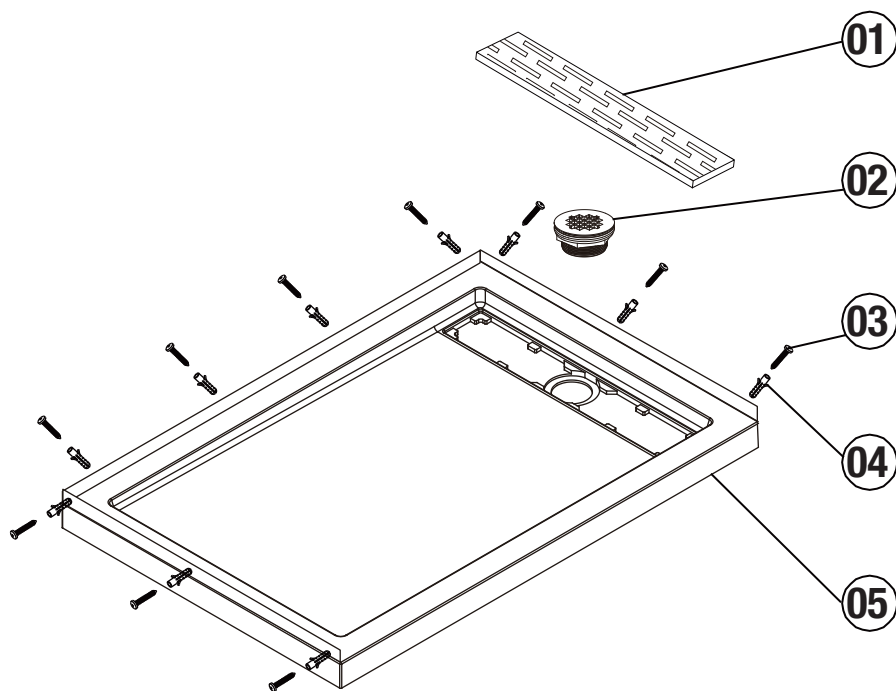
Extension Bit Holder



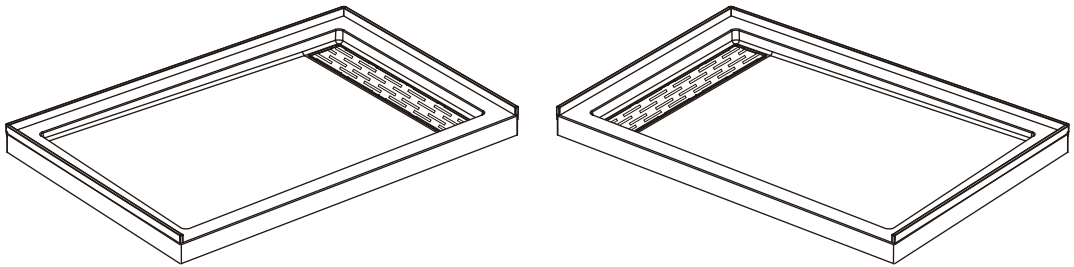
Phillips Bit (for use with extension bit holder)



Parts And Components



Base Installation

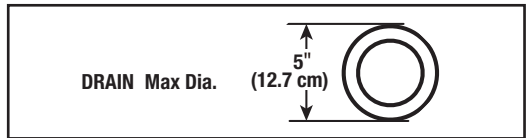
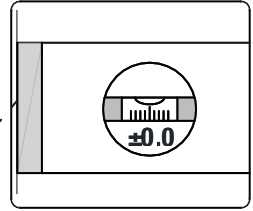
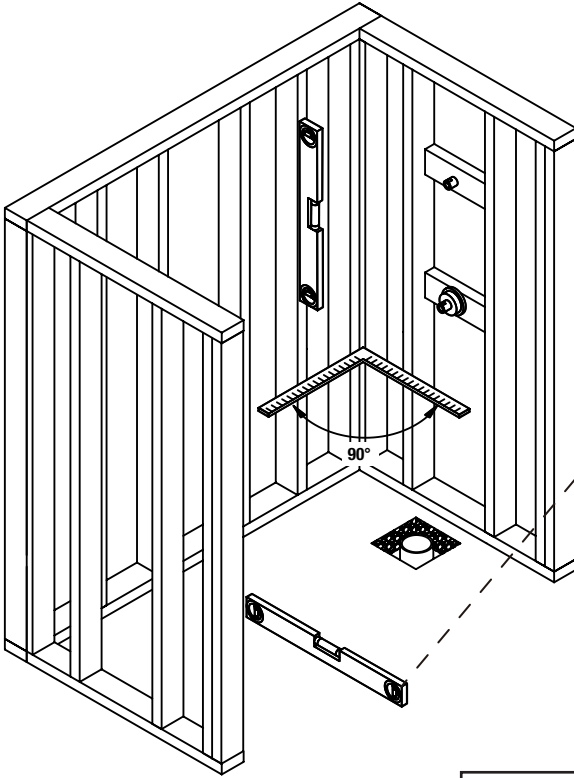


NOTE

The right-hand drain installation is shown as an example throughout this manual. For the left-hand drain installation, simply begin on reverse the orientation of the steps shown.

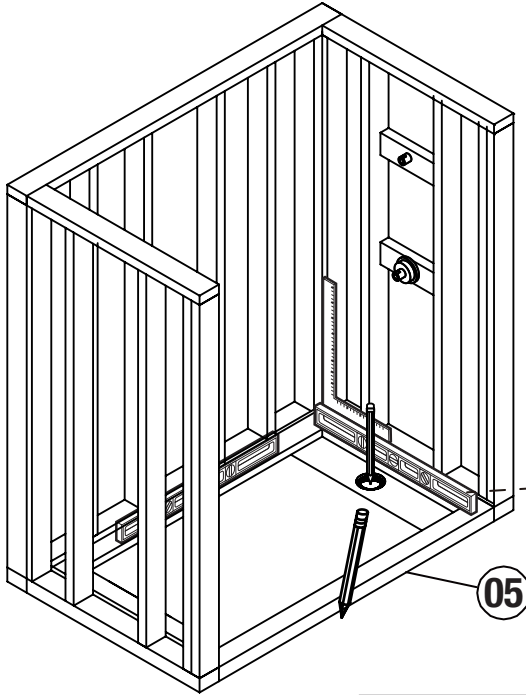
Base Installation

Ensure that the wall structure is leveled.



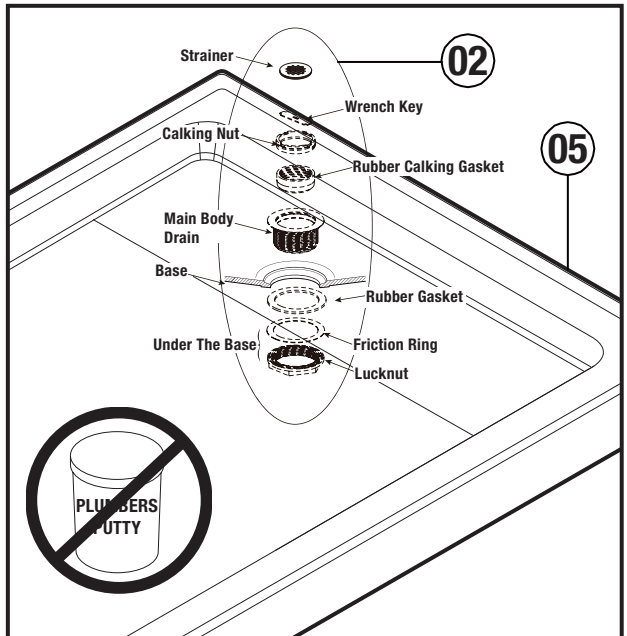
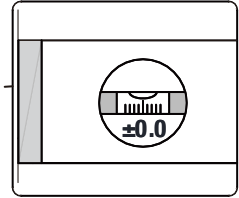
MODEL	A 16" (40.64 cm)	B 6" (15.24 cm)

Base Installation



Ensure that the wall structure is leveled.

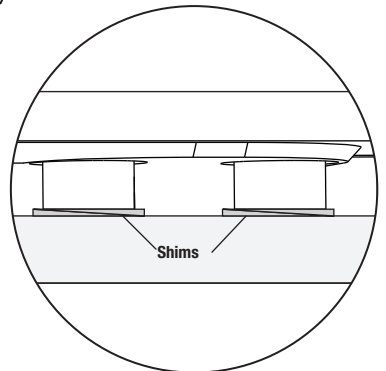
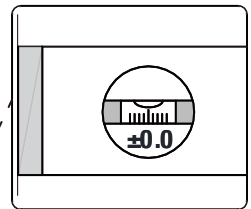
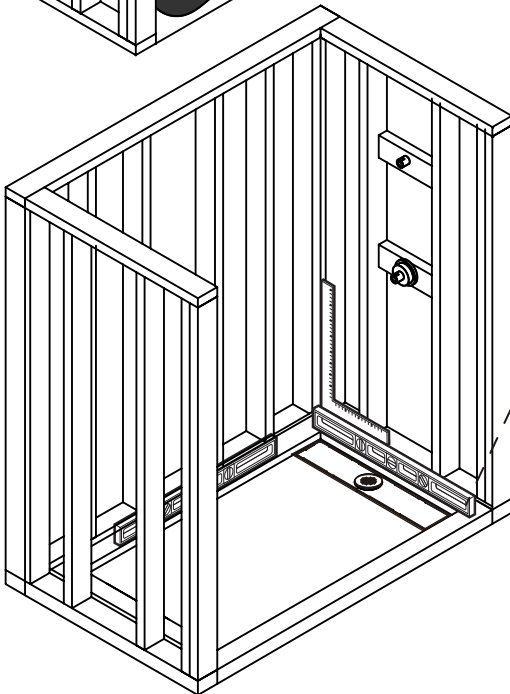
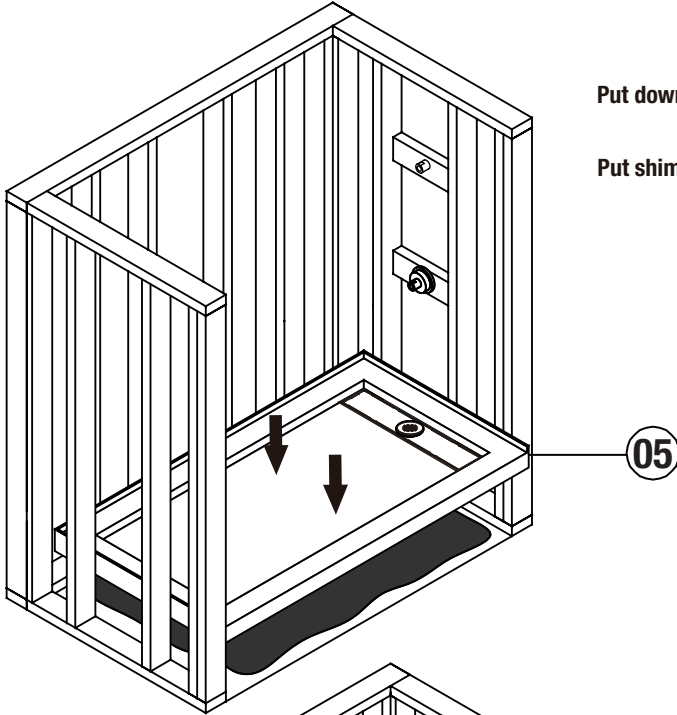
Place the shower base on the floor and mark the outline using a pencil.



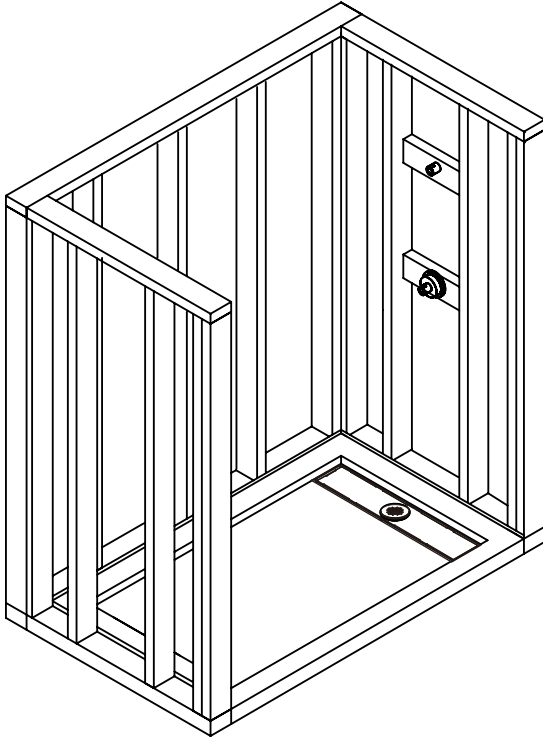
Base Installation

Put down the base on the floor.

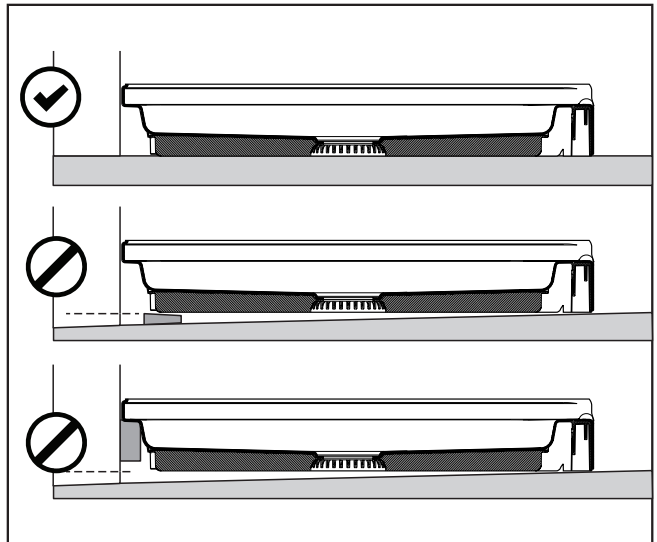
Put shims under the tube to adjust the level.



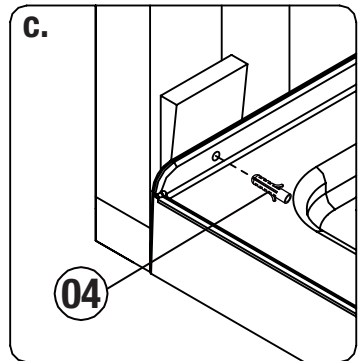
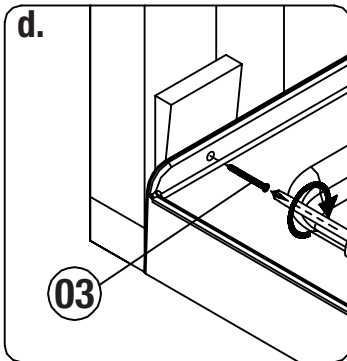
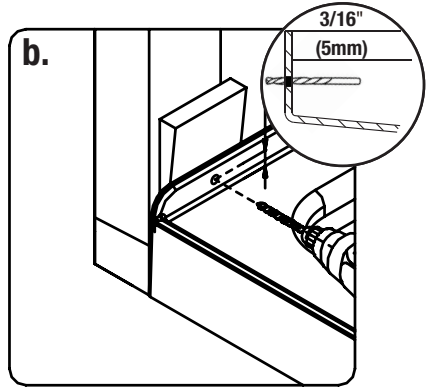
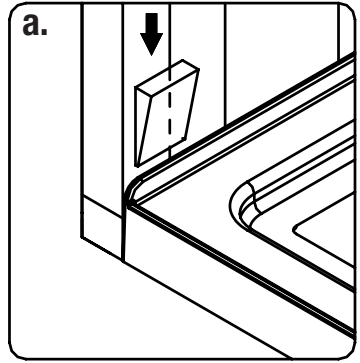
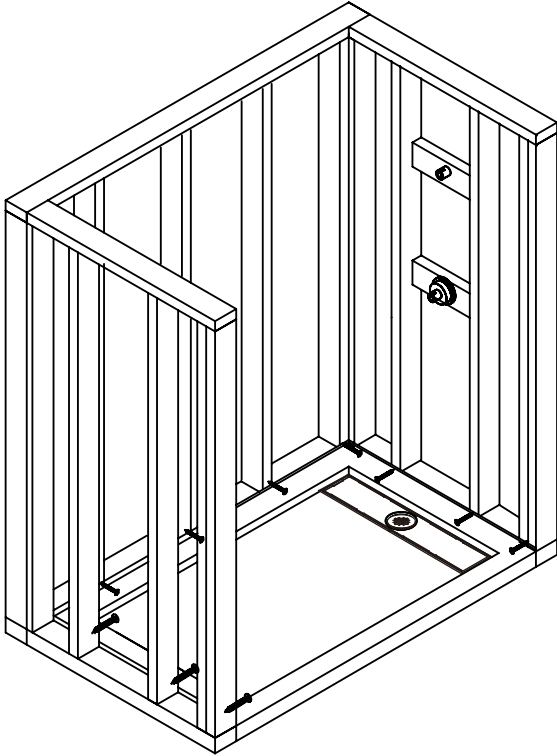
Base Installation



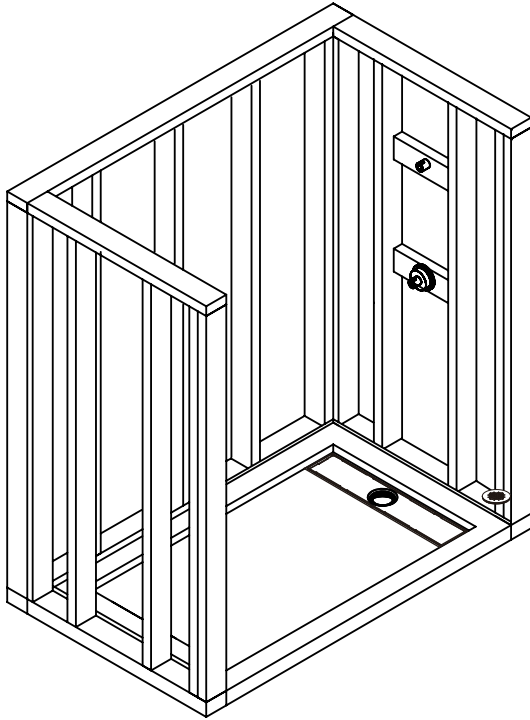
To compensate for any irregularities in your floor the base must be shimmed properly from underneath to provide a level threshold for mounting purposes Any shims must support the entire base not only at one point. Verify this by standing on the base once shimmed and check for any spring or bounce in the base.



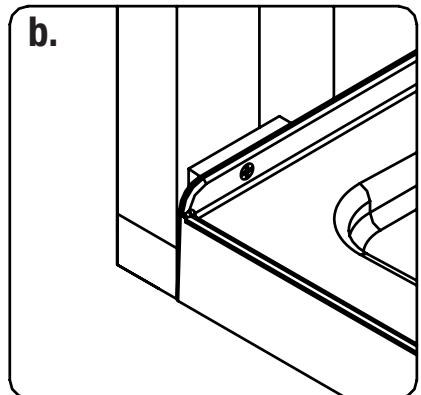
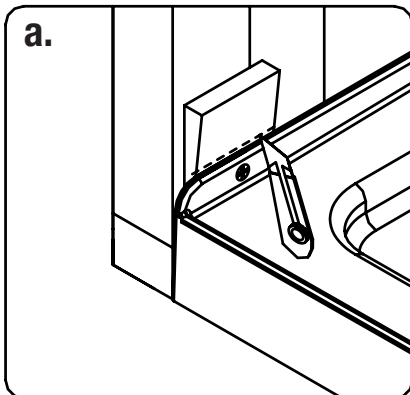
Base Installation



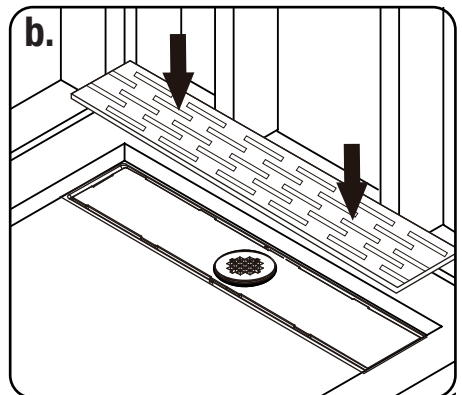
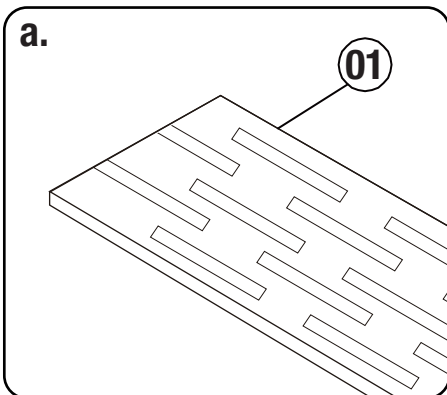
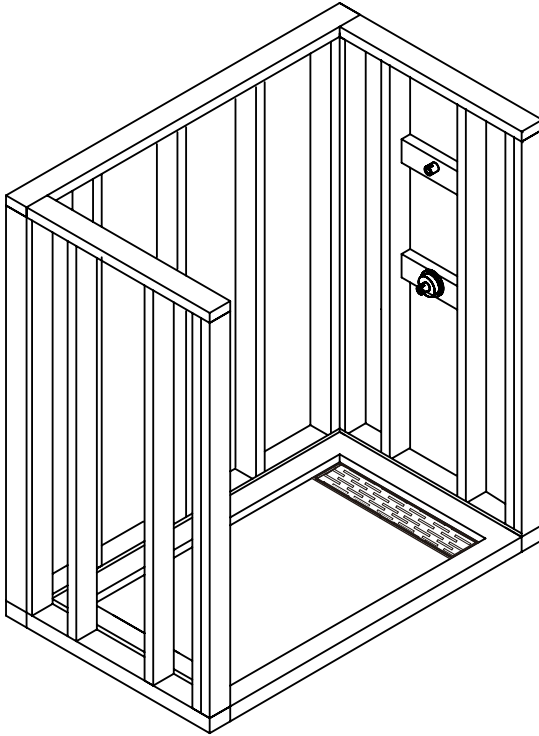
Base Installation



Cut the protruding part of the shims.



Base Installation



Base Installation

