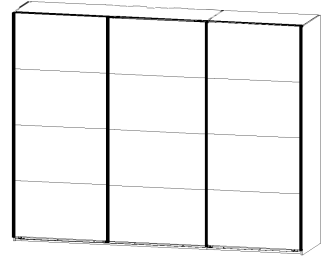
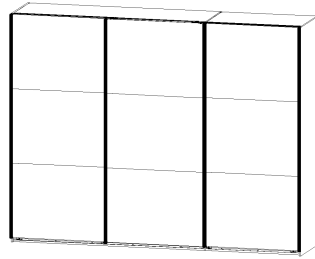
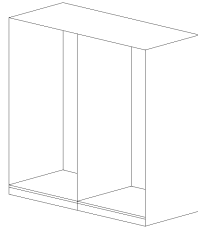


1.

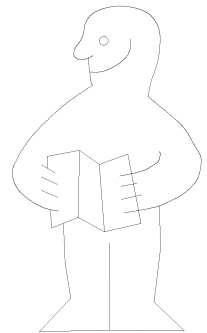
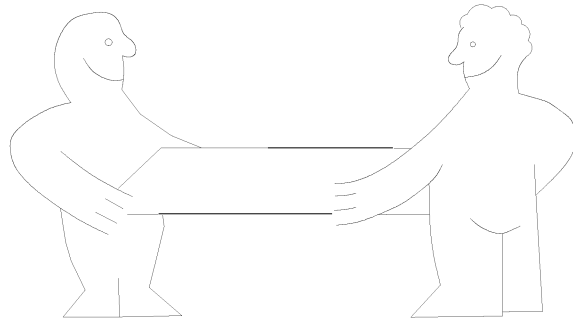
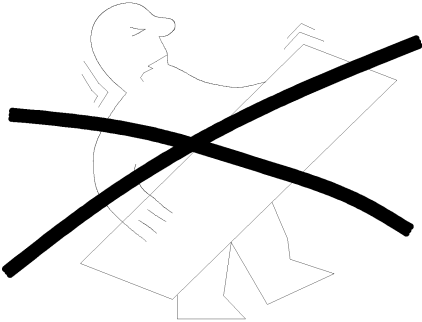


2.

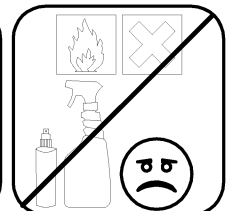
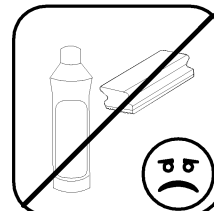
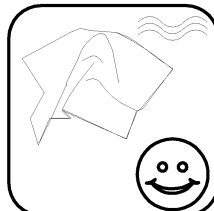
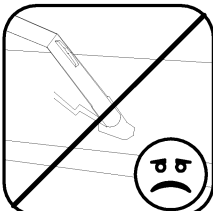
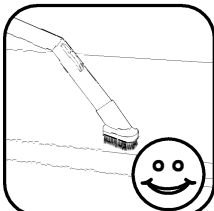
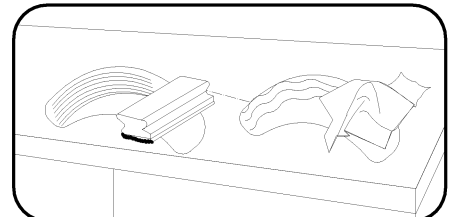
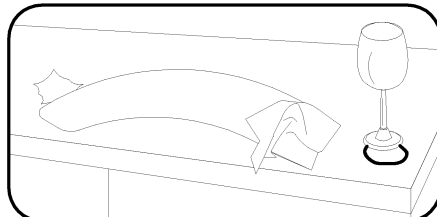
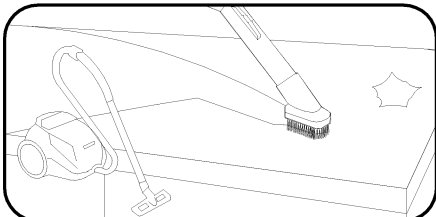
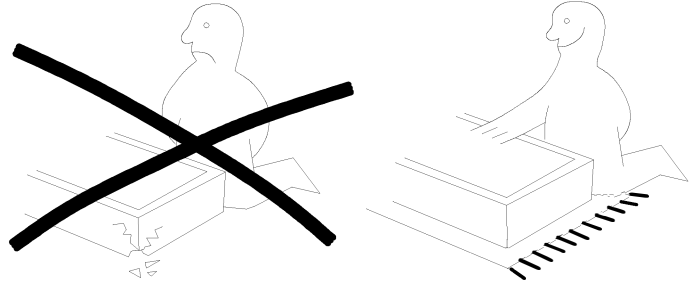
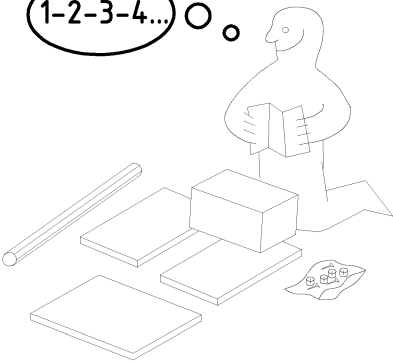


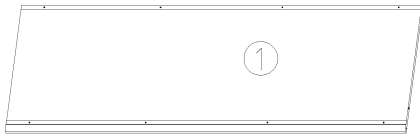
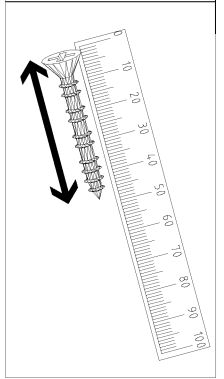
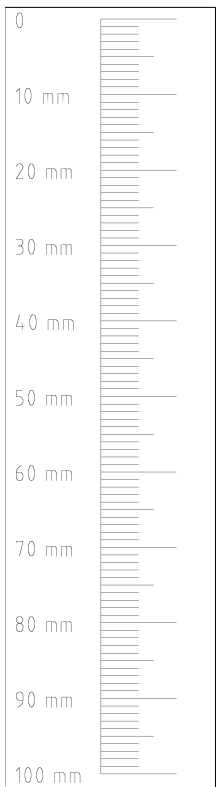
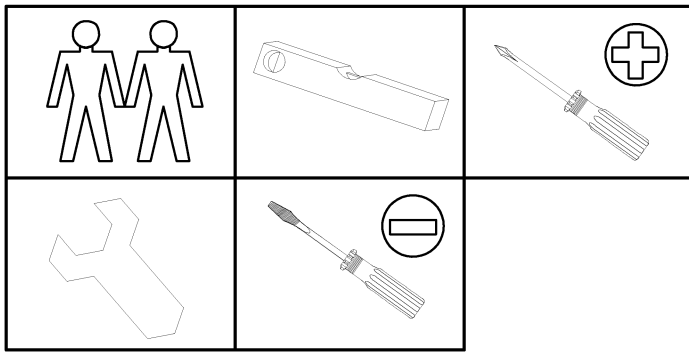
270 3tlg-3trg

270 4tlg-3trg

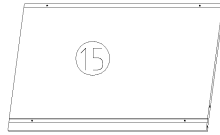


1-2-3-4... 0 0

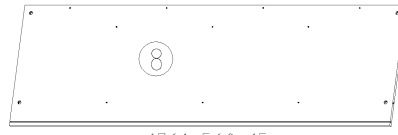




1761x560x15



873x560x15



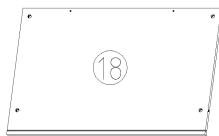
1761x560x15



1761x32x15



873x32x15



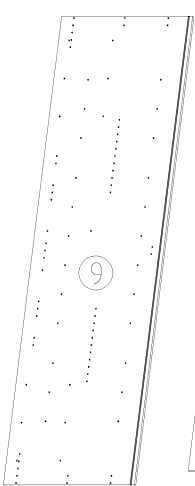
873x560x15



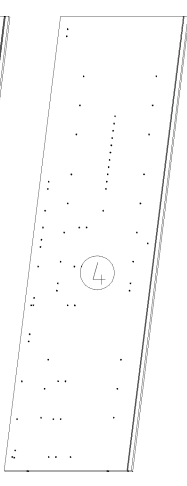
1761x32x15



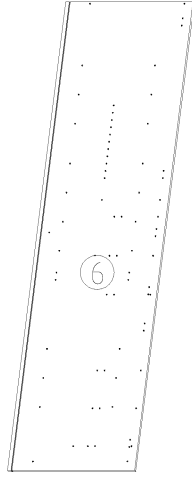
873x32x15



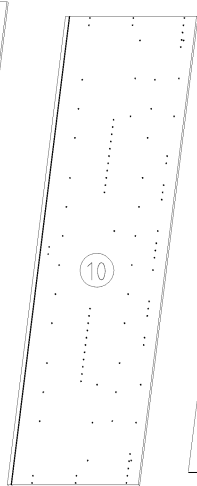
064x577x15



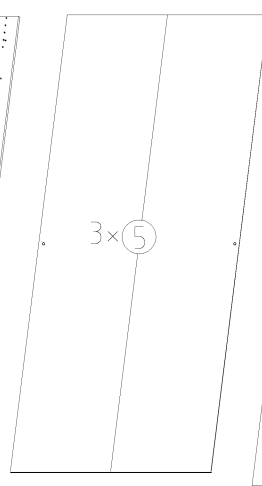
2001x560x15



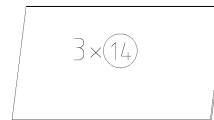
2064x560x15



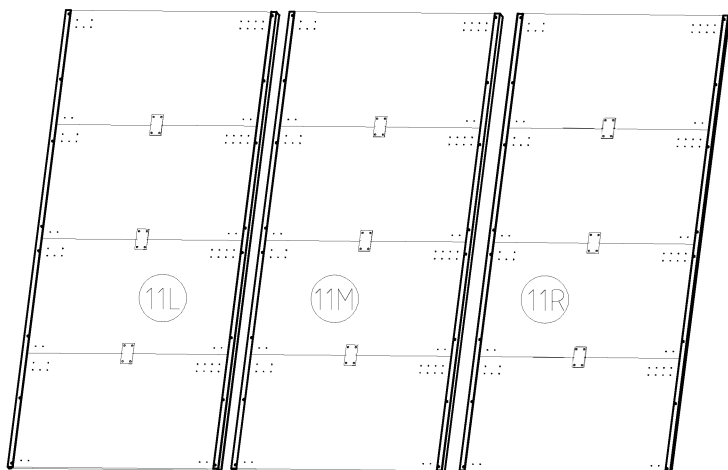
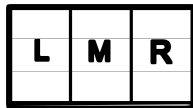
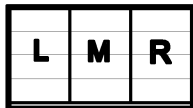
2064x577x15



2015x882x2,5



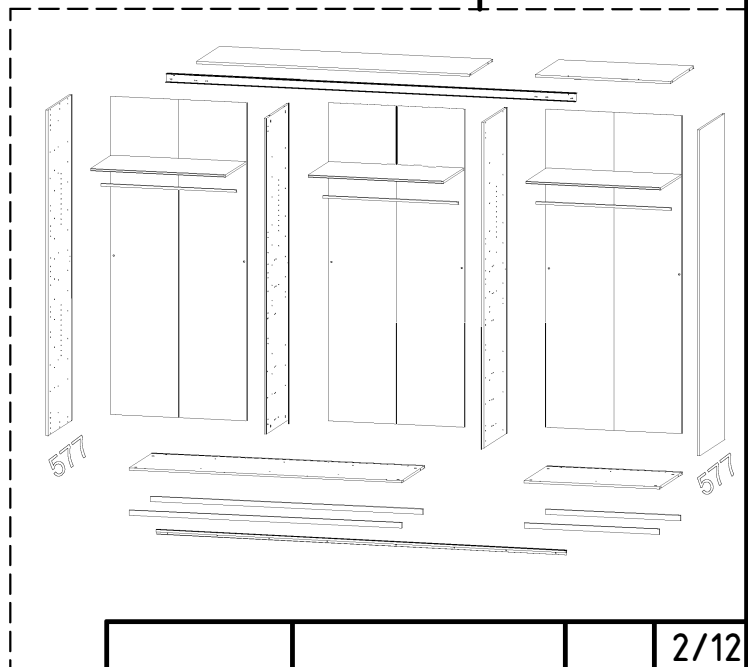
873x500x18

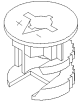
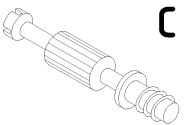
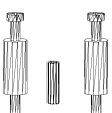


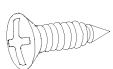

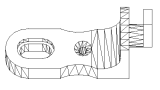
2018x916x15

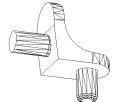
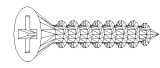
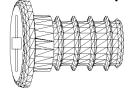
2018x916x15


2018x916x15



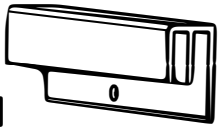
 111 102	A 20x
 111 103	C 12x
	F3 4x

3,5 x 15 mm  121 370	G1 12x
 117 001	K1 6x
 111 174	J1 6x

 111 610	L7 12x
3,5 x 35 mm  121 375	G14 16x
M6 x 11 mm  121 181	T6 6x

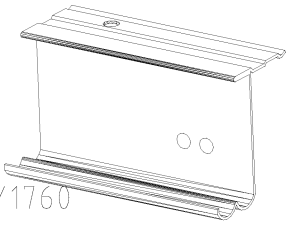
 112 402	K20 3x
--	------------------

1x
FPN

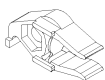
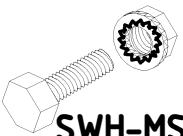
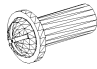
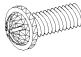


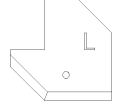

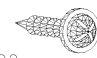
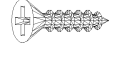
1316/1760
2204/2648/3092/3536


1x
LP

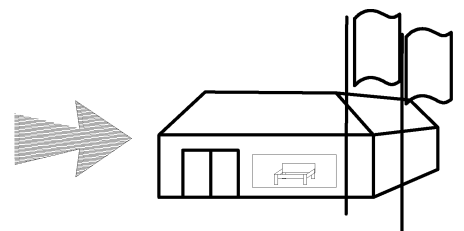
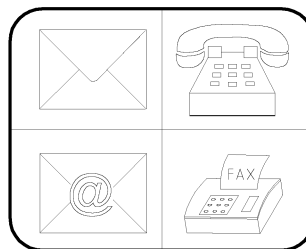
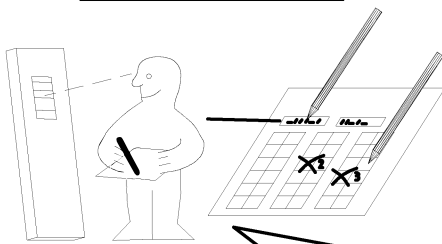
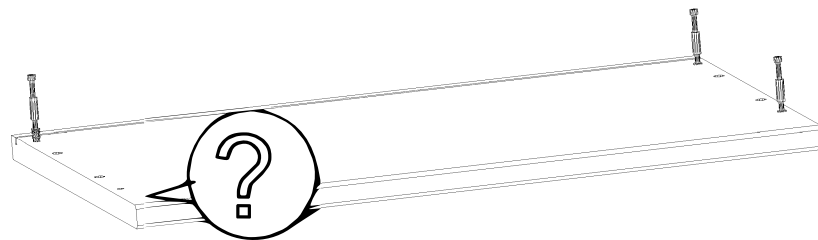
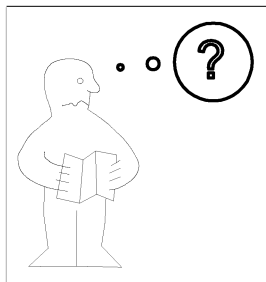


1316/1760
2204/2648/3092/3536
ST

 SWH-ST	2x
 SWH-MS	2x
M4 x 13 mm  121 xxx	GH13 7x
M4 x 10 mm  121 xxx	G43 7x

 SWH-SKL	1x
 SWH-SKR	1x
4 X 13mm  121 122	SP13
3,5 x 22 mm  121 004	G24 10x

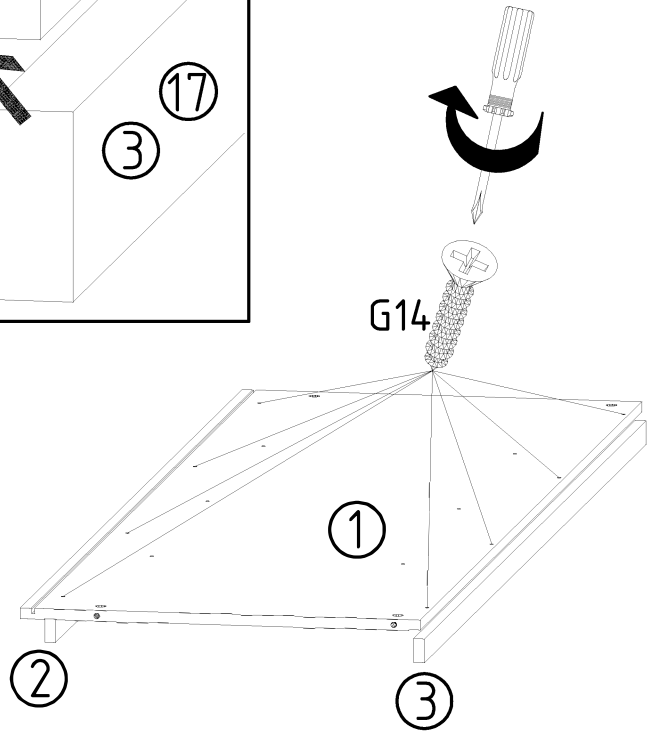
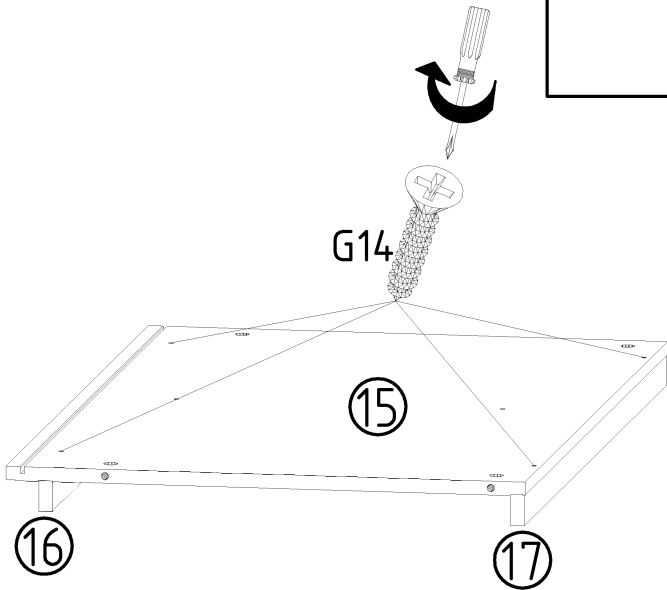
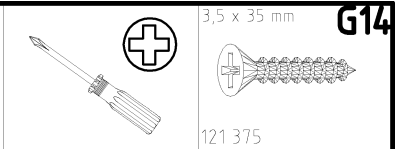
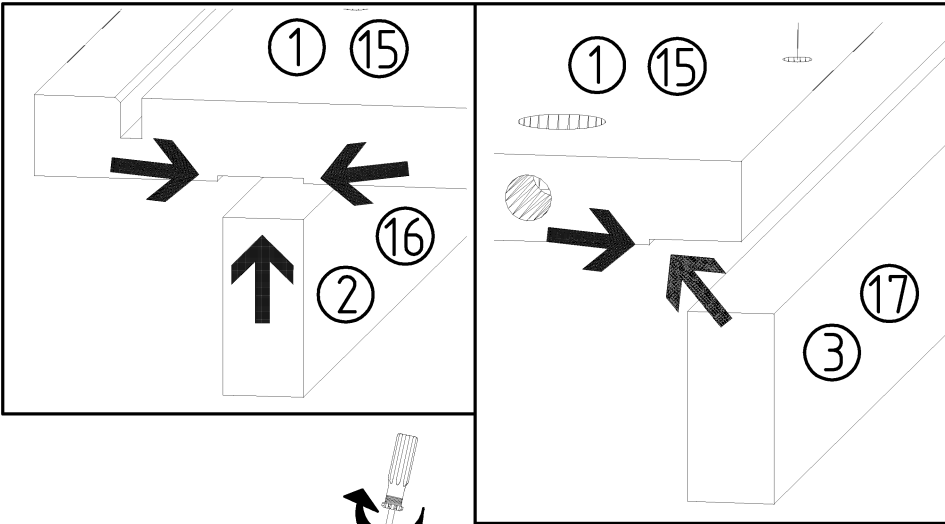
 SW-STM	1x
---	----



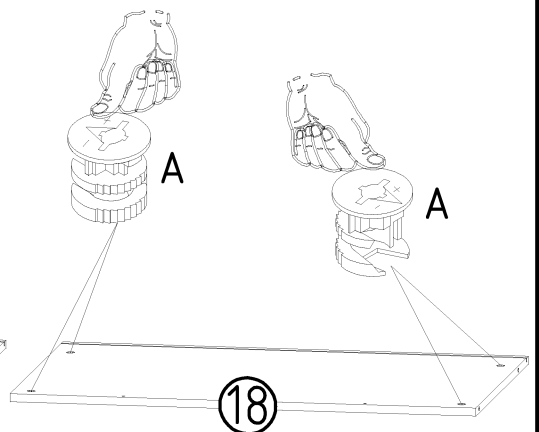
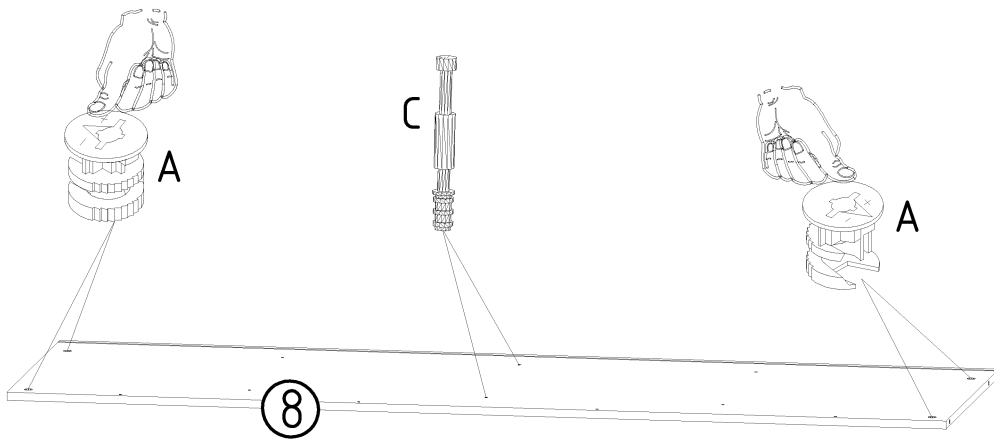
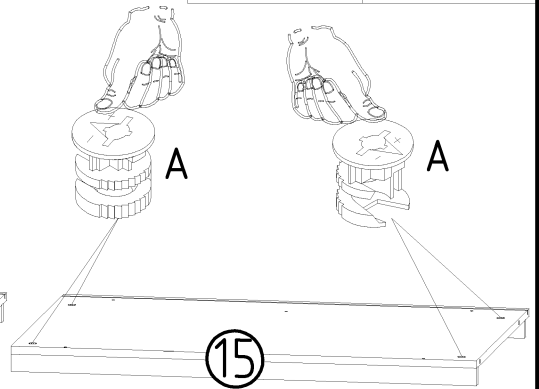
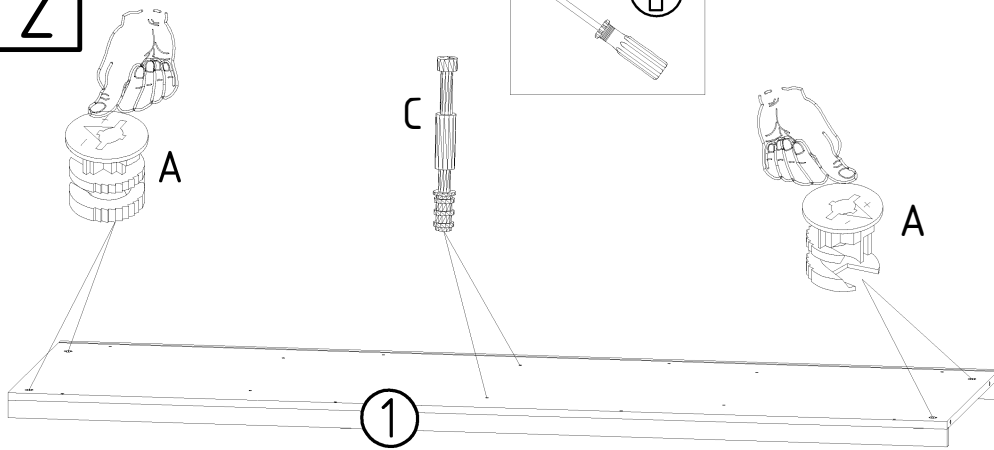
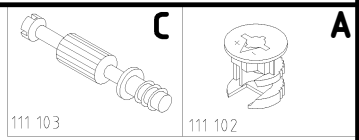
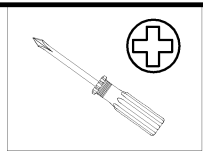
Auftrag/Order-No
No. de Commande

Kunde/Customer
Client

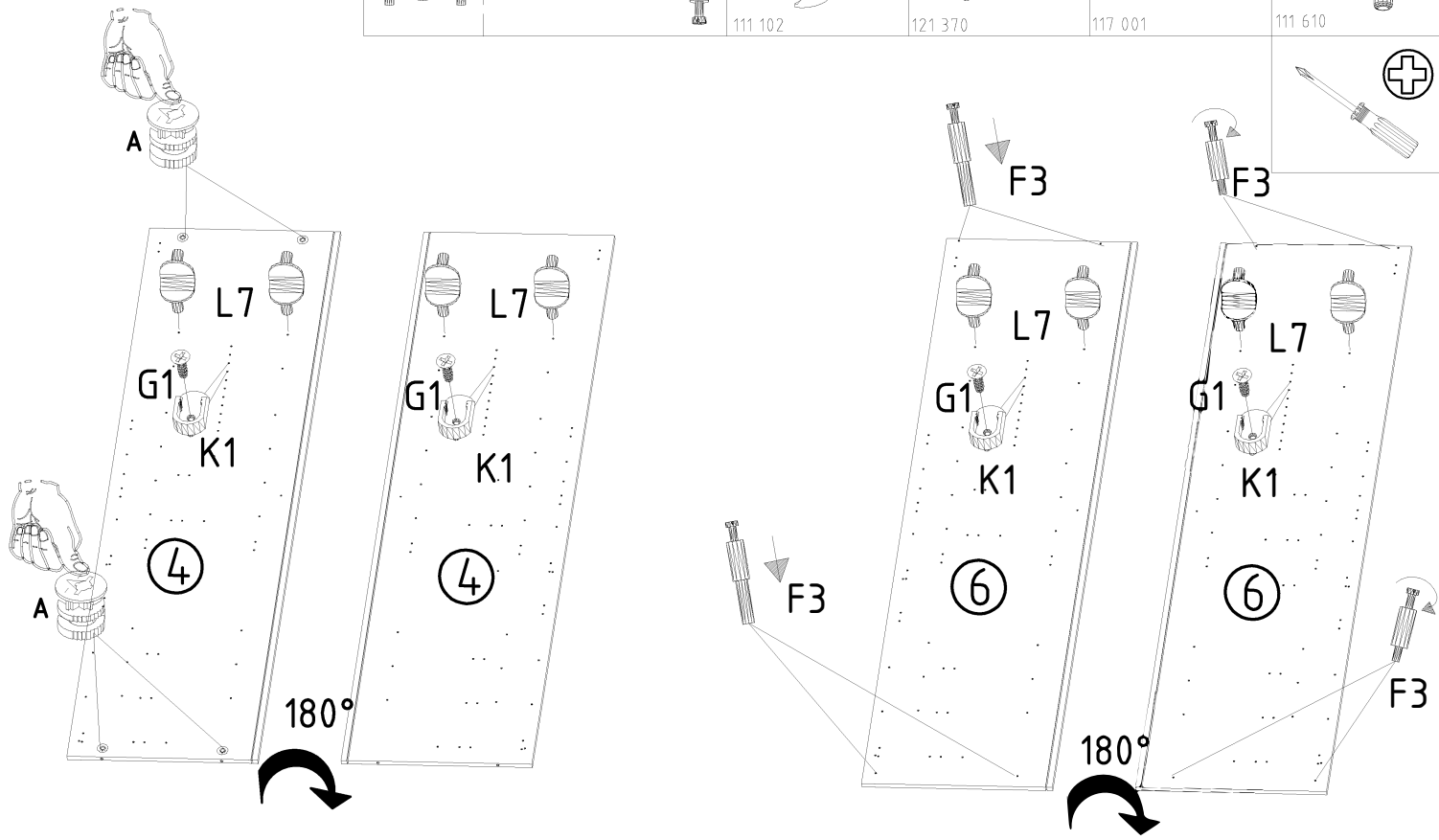
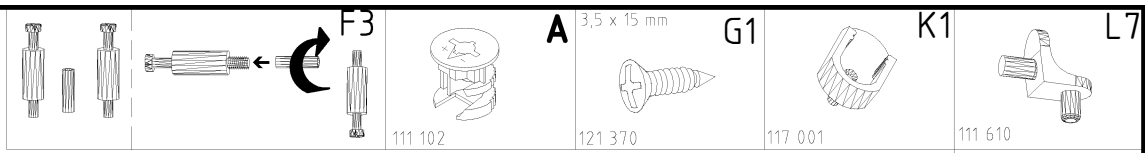
1



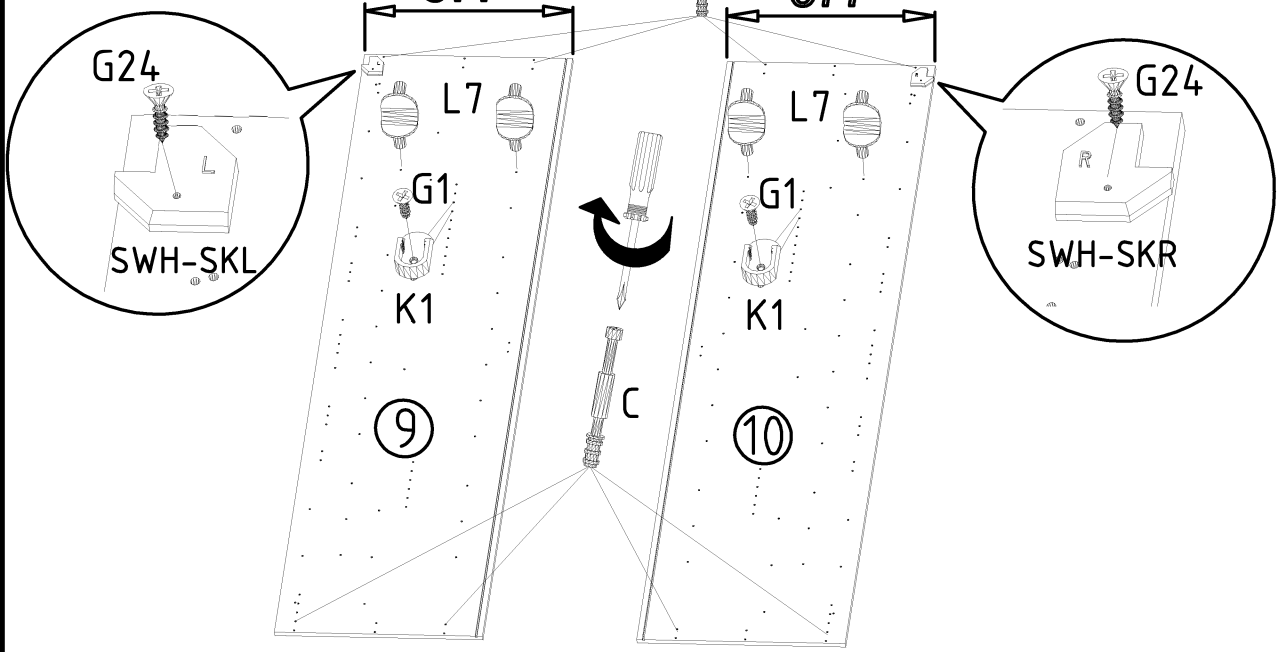
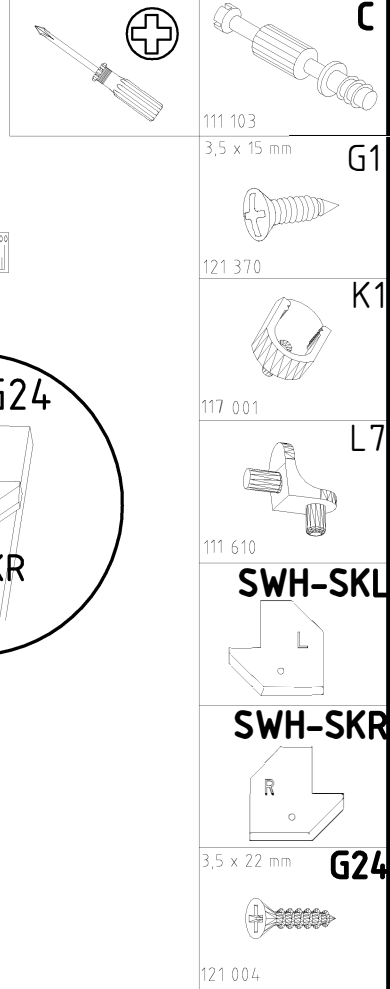
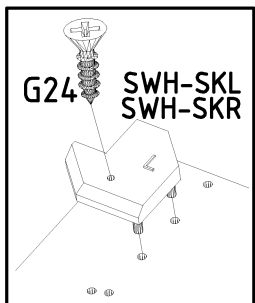
2



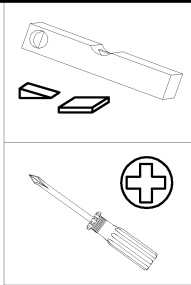
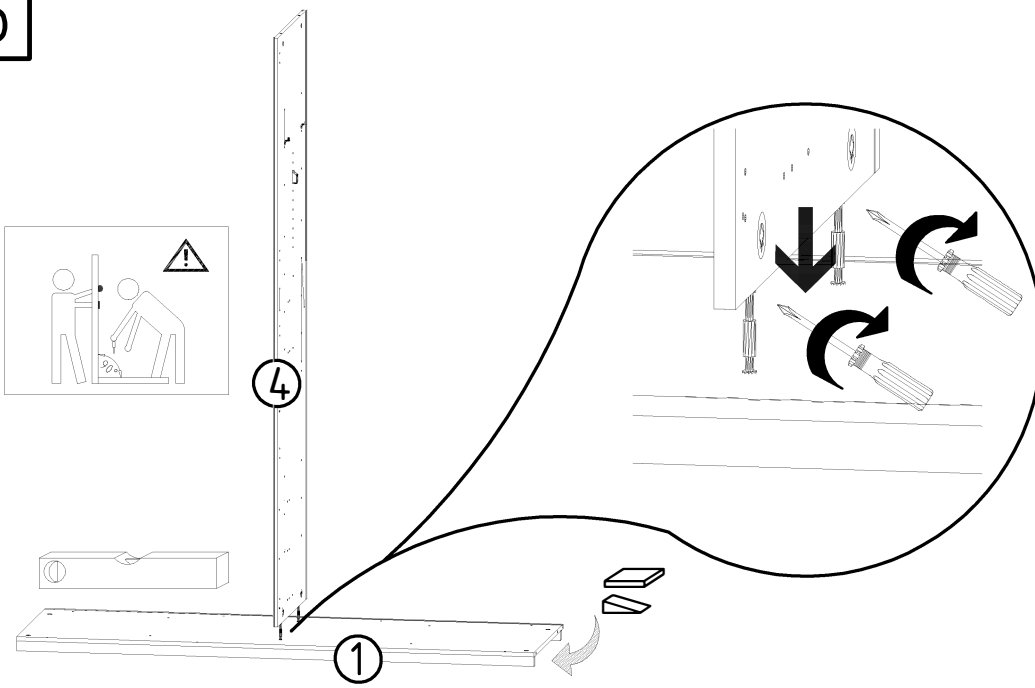
3



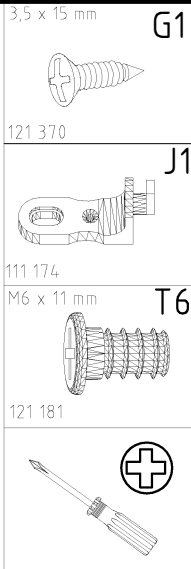
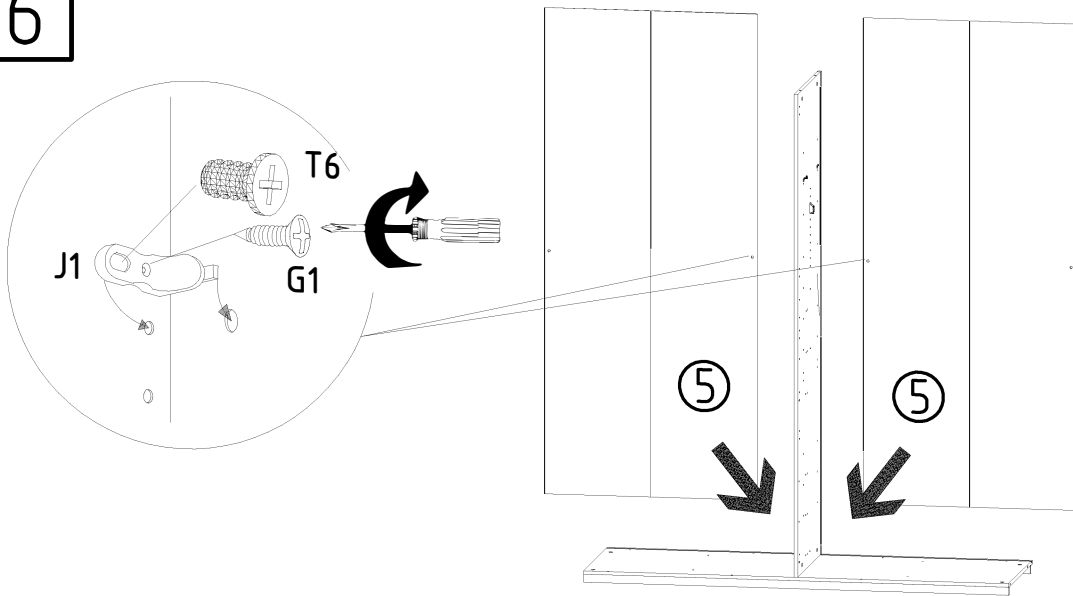
4



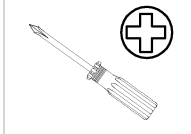
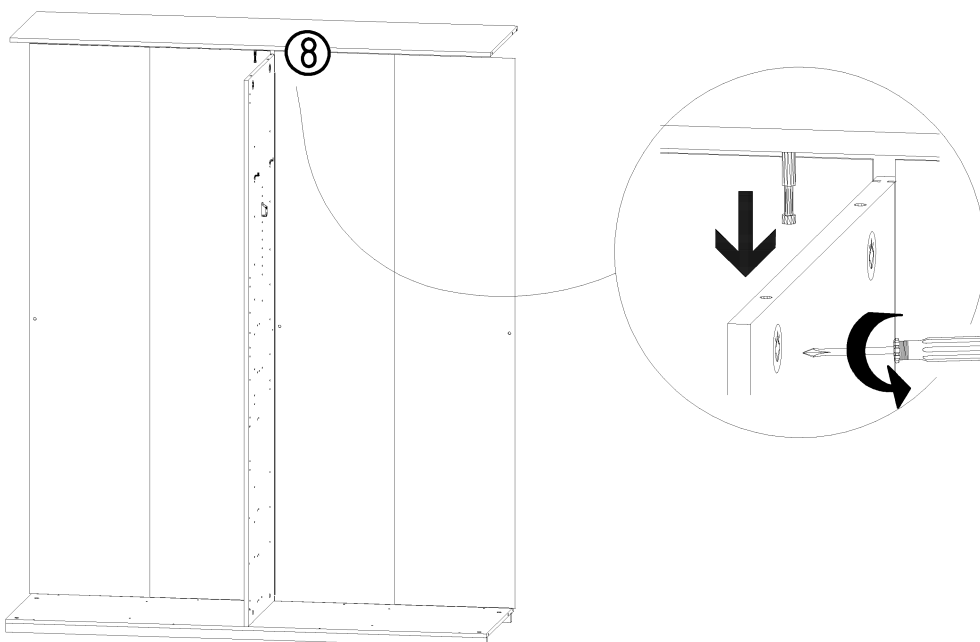
5



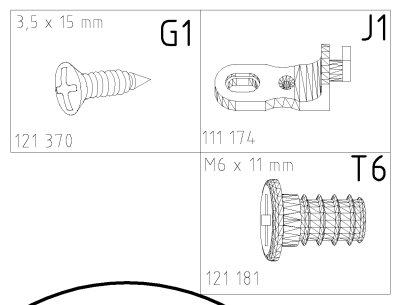
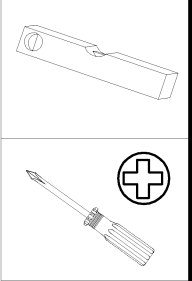
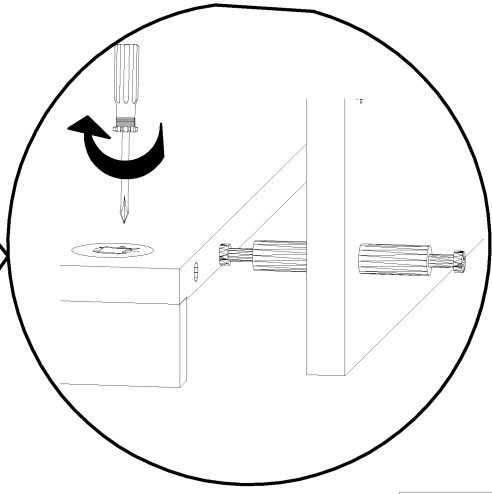
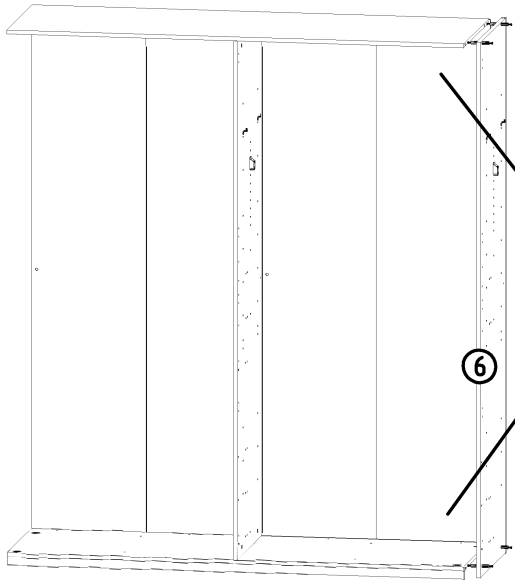
6



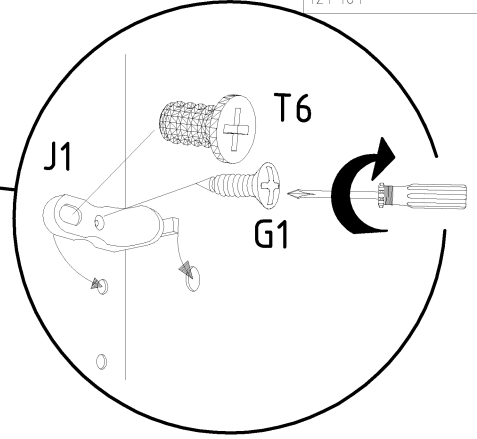
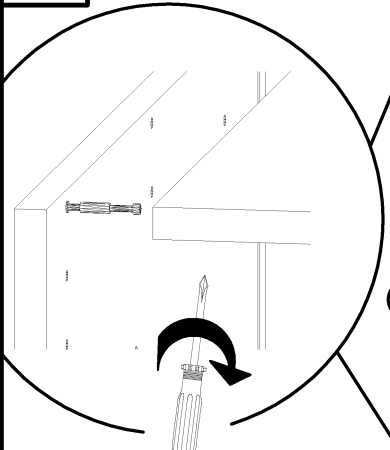
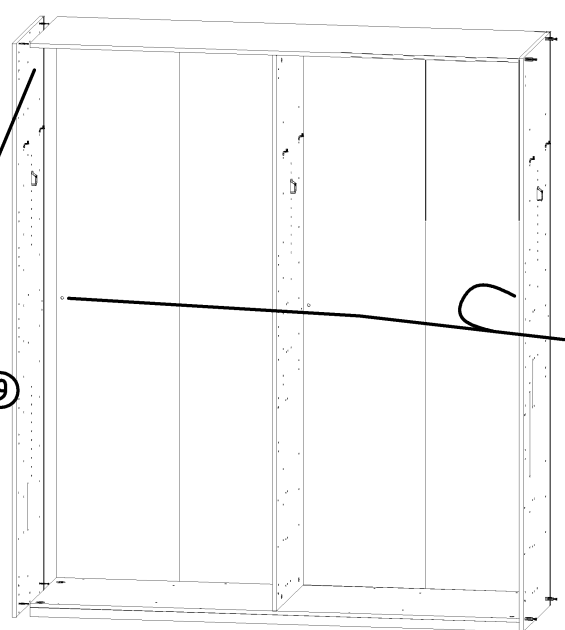
7



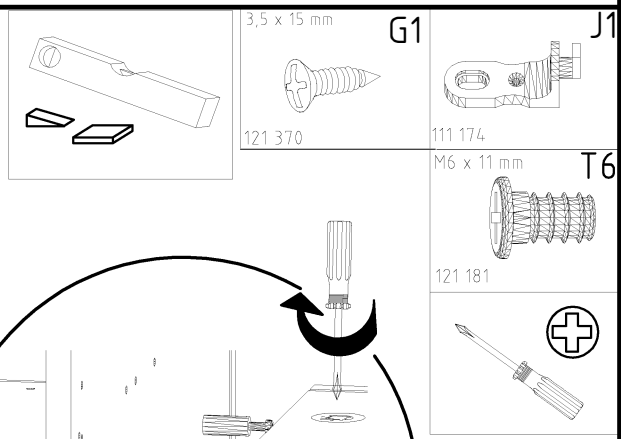
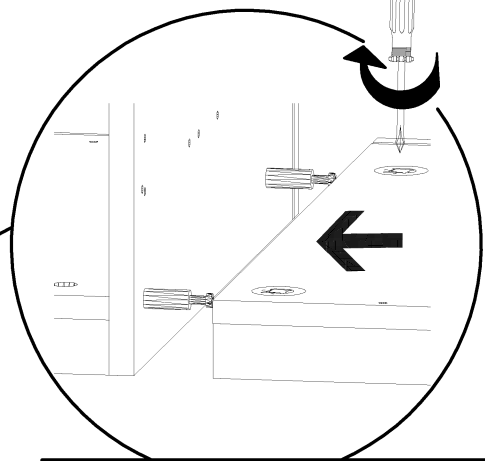
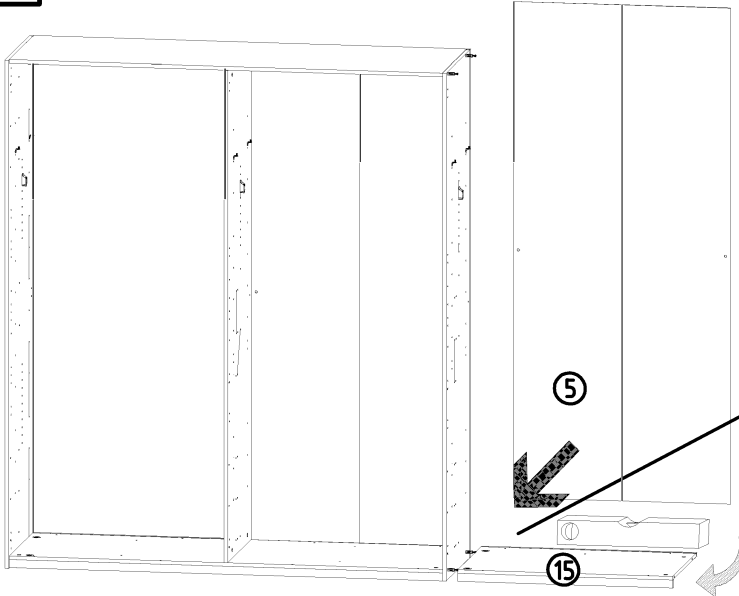
8



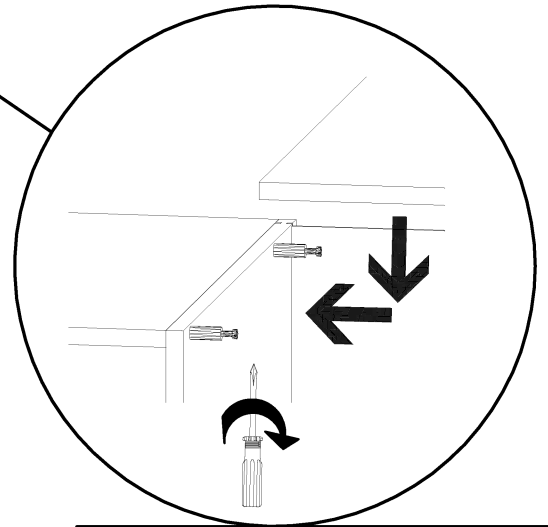
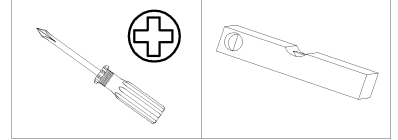
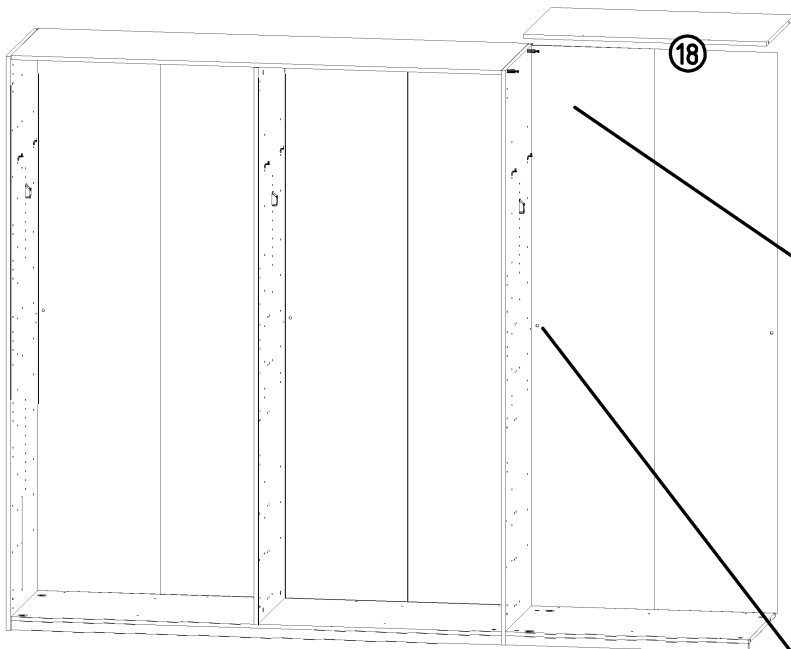
9



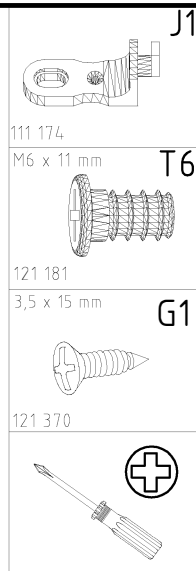
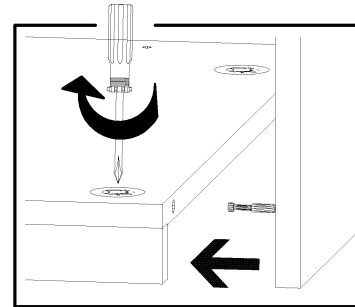
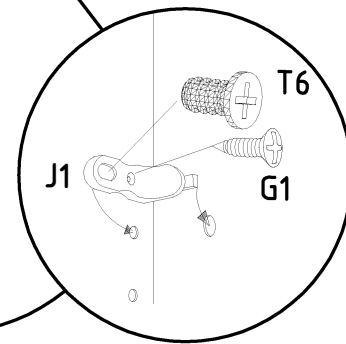
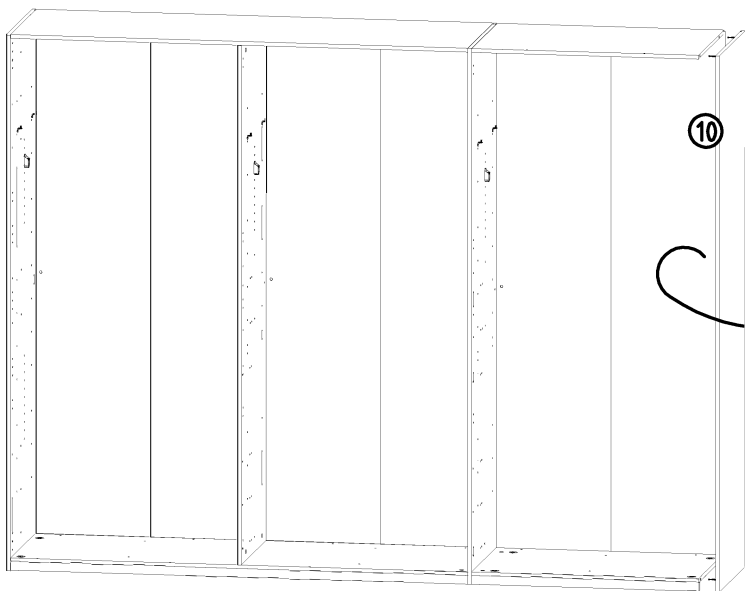
10



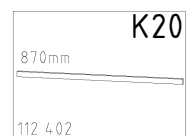
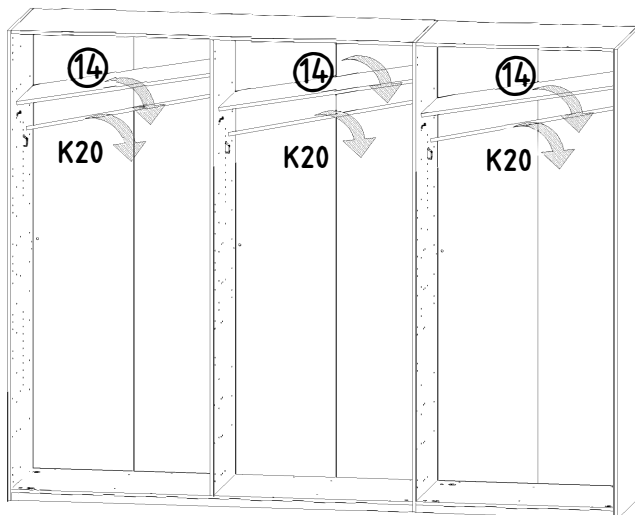
11



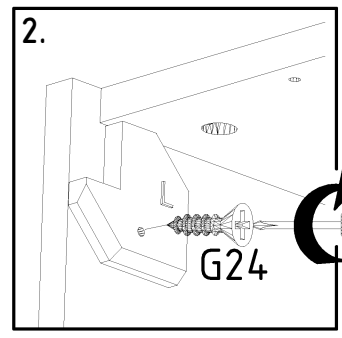
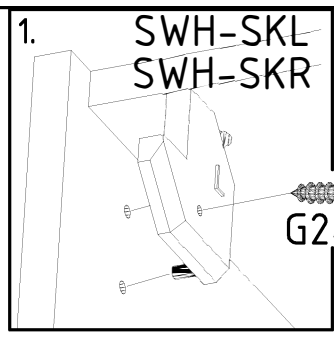
12



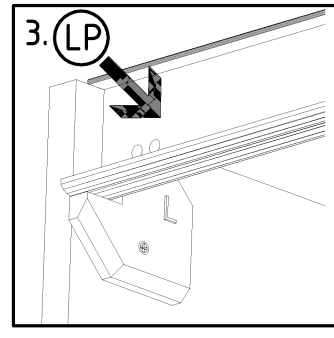
13



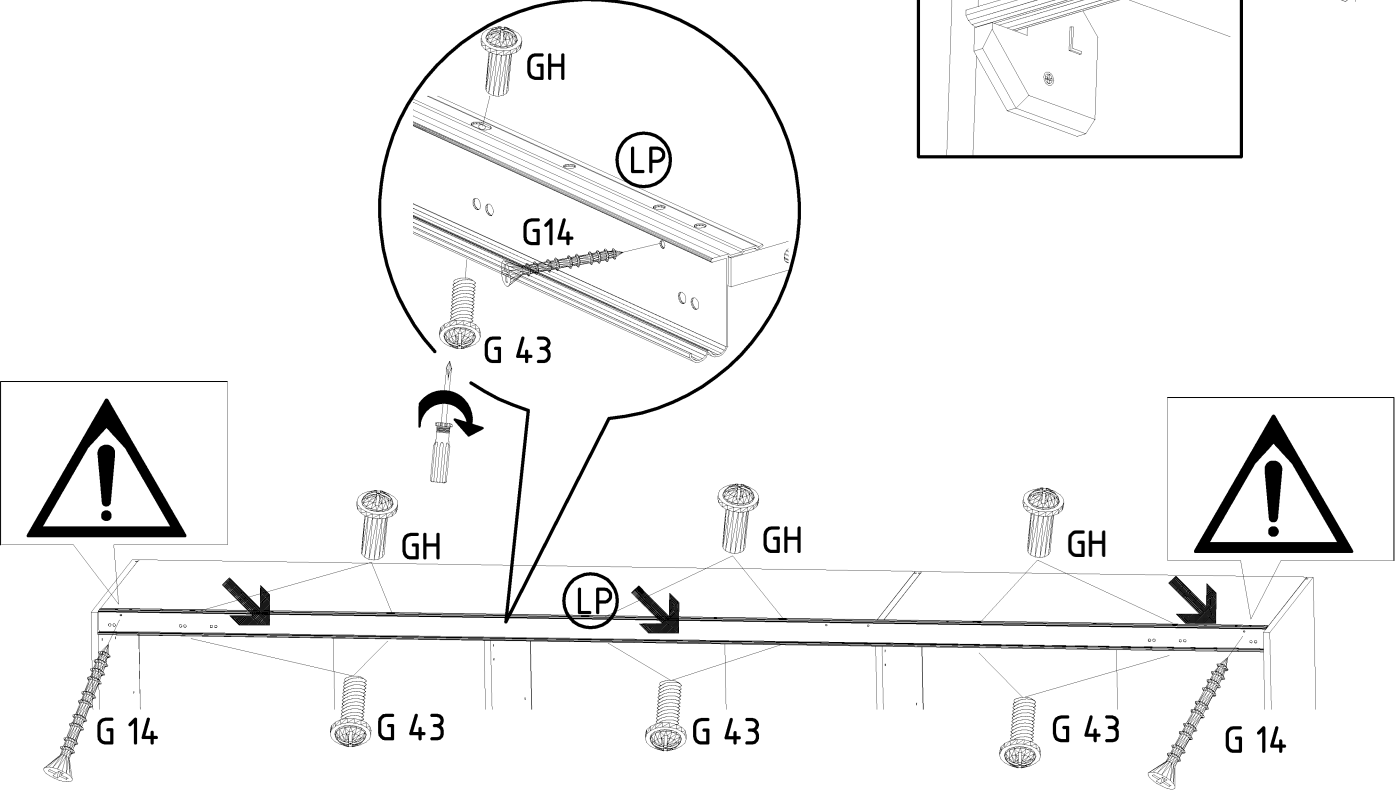
14



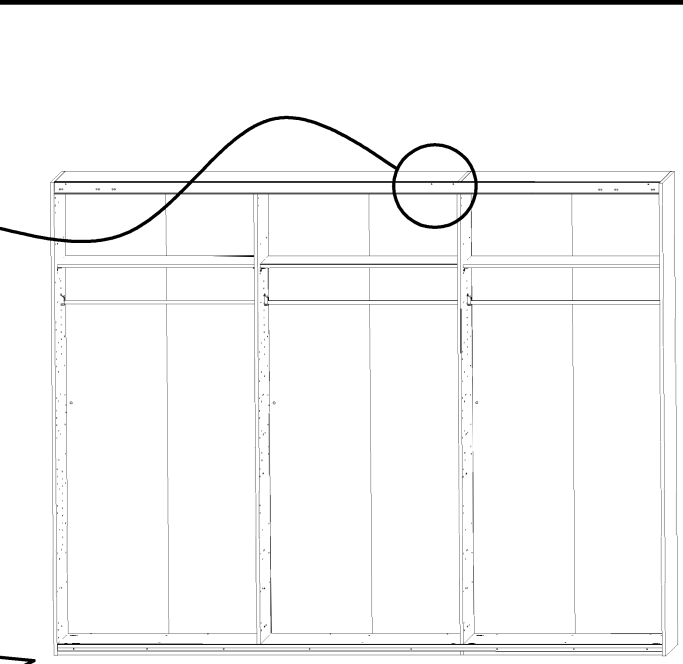
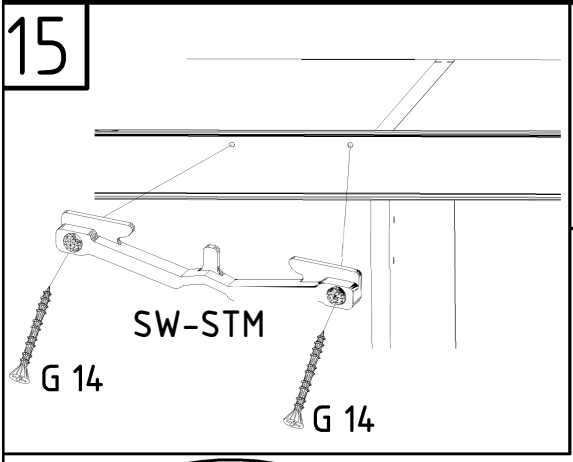
3,5 x 35 mm G14 121 375	M4 x 10 mm G43 121 xxx	M4 x 13 mm G43 121 xxx	GH13
--------------------------------------	-------------------------------------	-------------------------------------	-------------



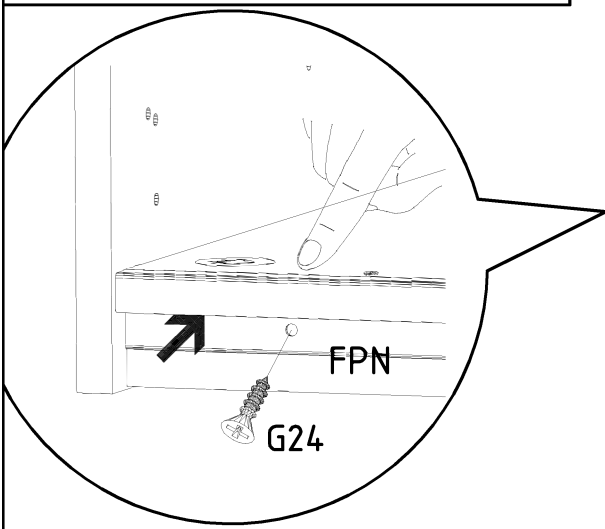
LP
1316/1760
2204/2648/3092/3536
ST



15



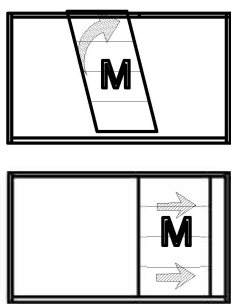
SW-STM
3,5 x 35 mm
G14
121 375



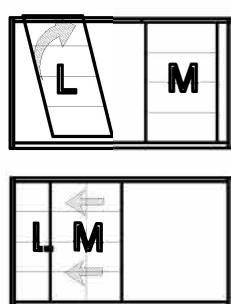
FPN
1316/1760
2204/2648/3092/3536

3,5 x 22 mm
G24
121 004

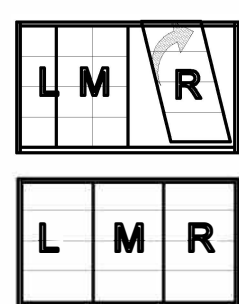
16



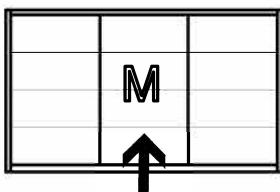
17



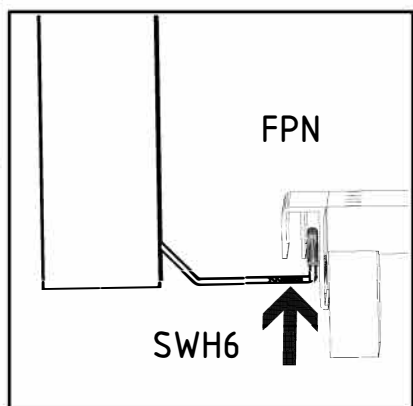
18



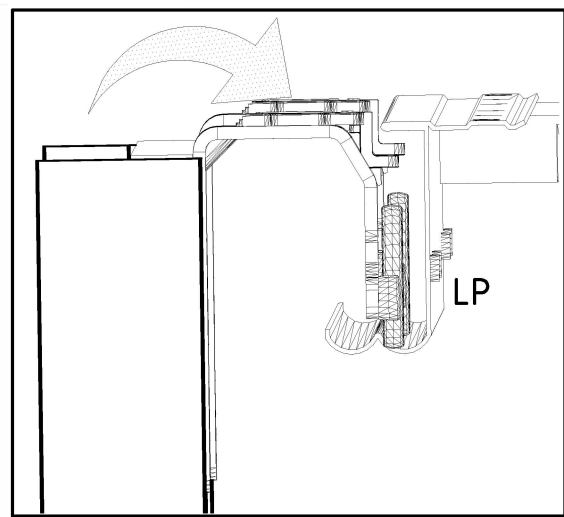
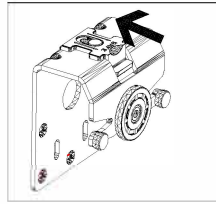
16



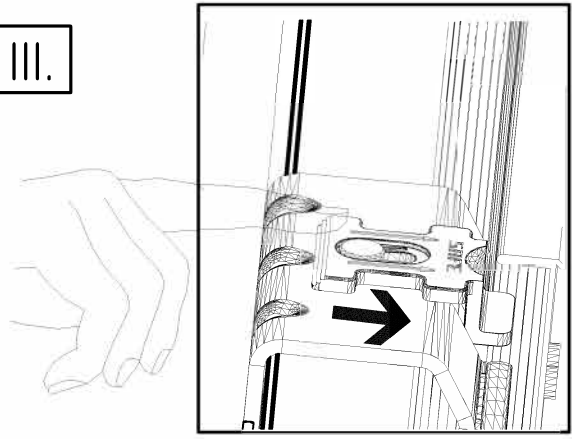
I.



II.



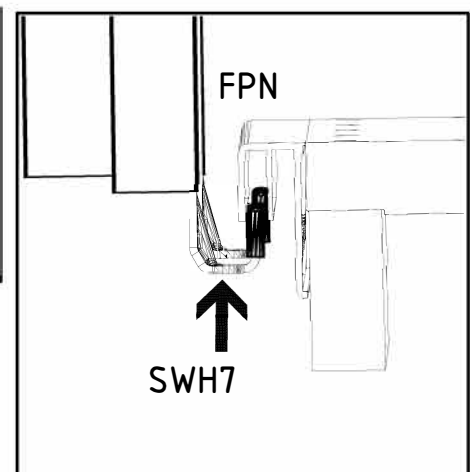
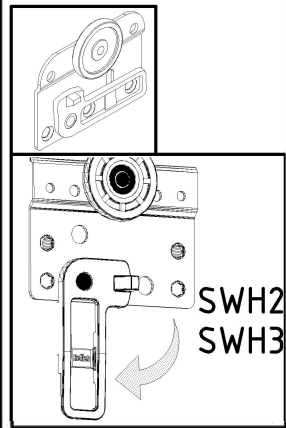
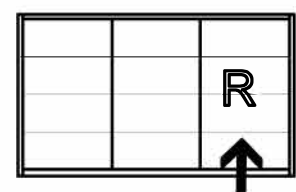
III.



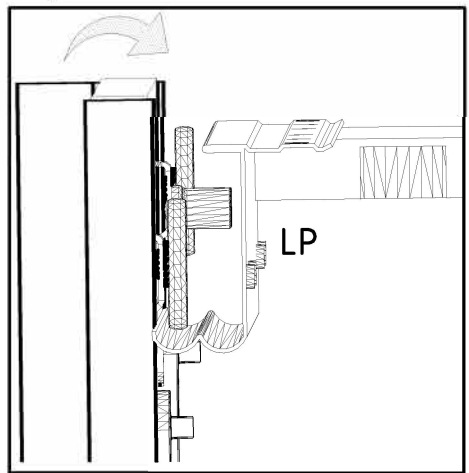
17 + 18



I.



II.



III.

