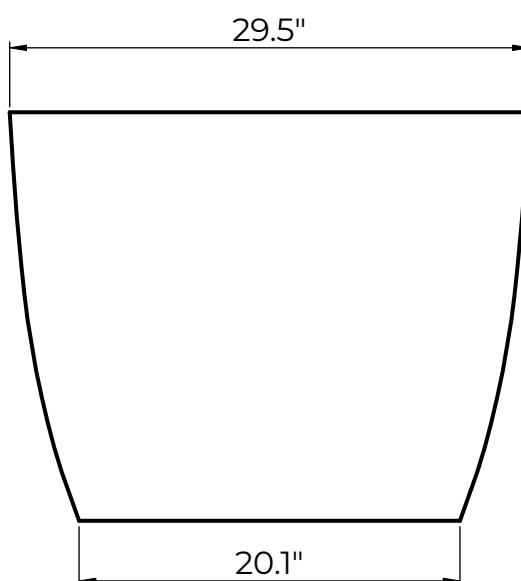
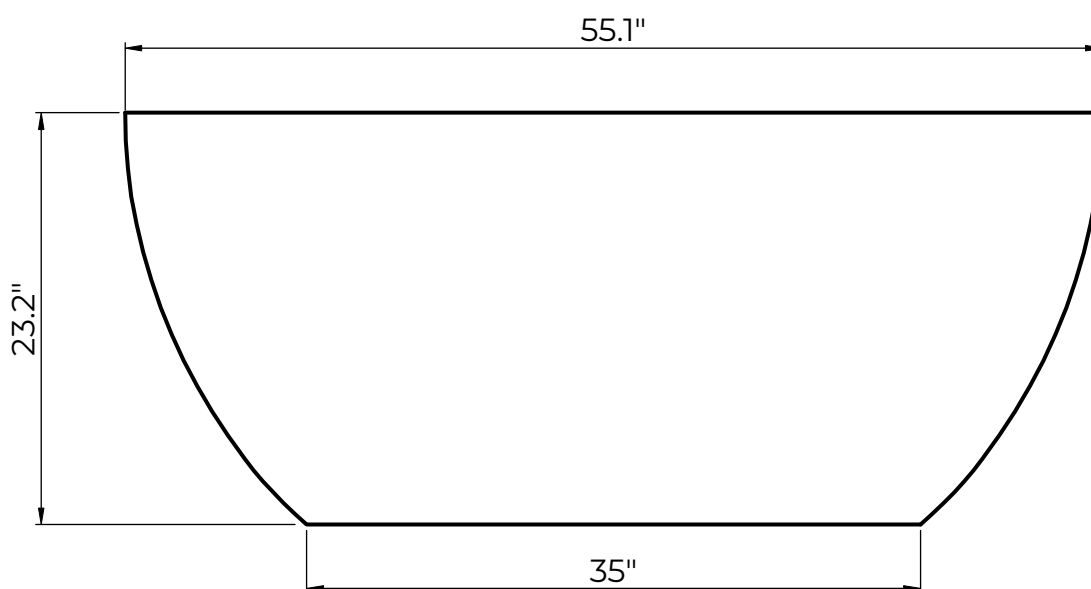
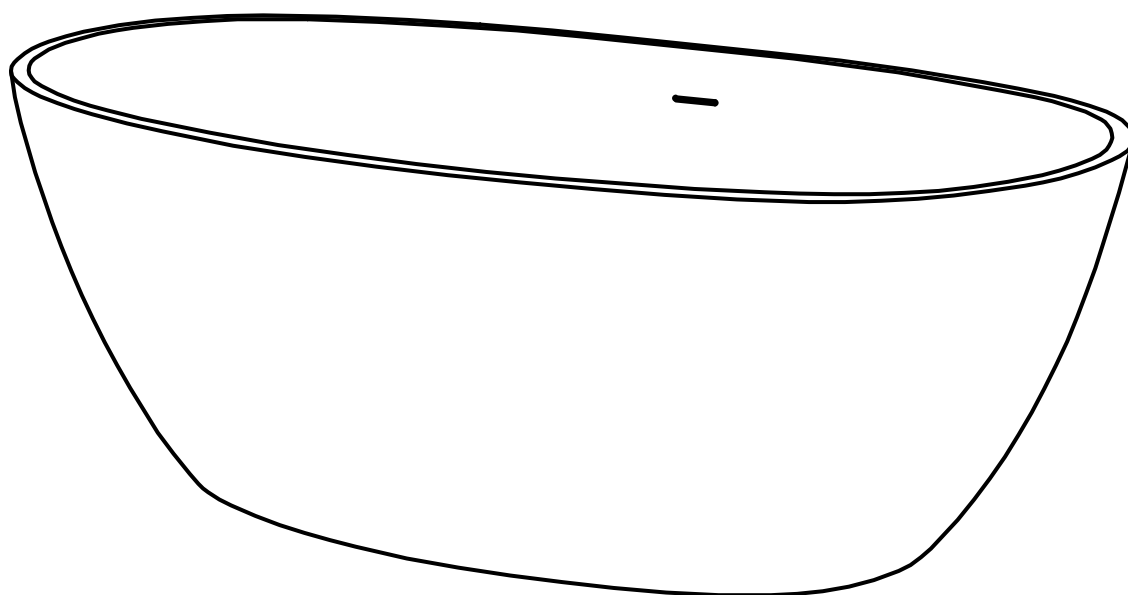


1



SEE BELOW FOR ADDITIONAL MEASUREMENTS

2

