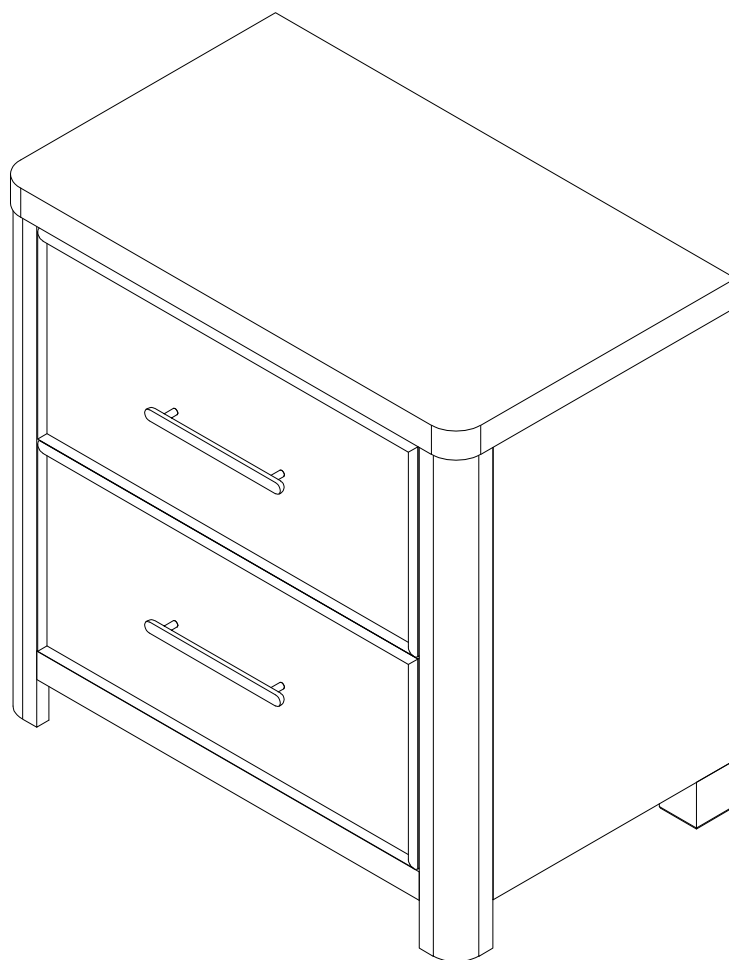


# Owner Manual



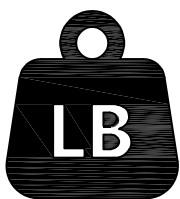
---

## NOTE:

This brochure contains IMPORTANT safety info. Please read and keep for future reference.

# MAINTAINANCE AND WARNING

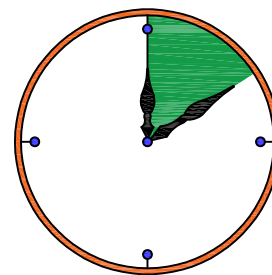
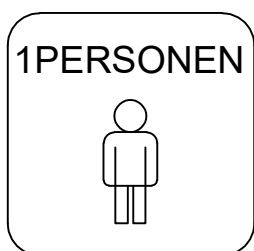
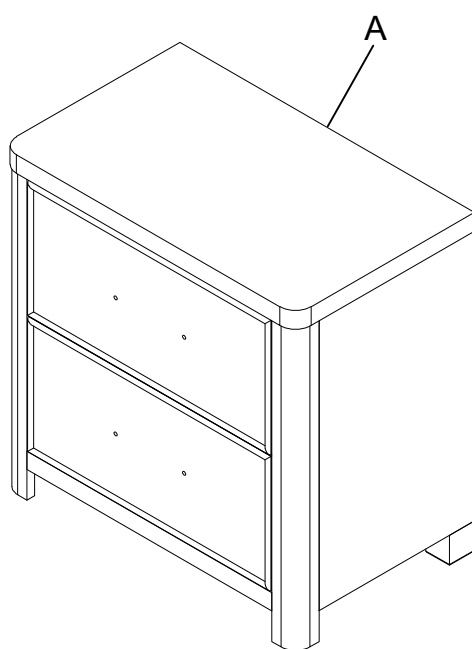
- .Keep furniture away from heat sources.
- .Do not clean furniture with harsh cleaner or polishes.Do not use detergents,solvents,abrasives,spray packs or leather cleaner. Use non-color mild soa with warm water to clean spills(Mix 1:10 soap to water).
- .Do not place furniture under direct sunlight,material will possibly fade over time.
- .Do not use on site dry cleaning machine.Children should not climb or jump on the furniture.
- .Do not write on furniture that is not protectedby a padded barrier.
- .Not for commercial use,only for residential use.



Weight Limitation

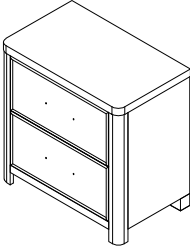
**80 LBS**

# EXPLOSIVE VIEW

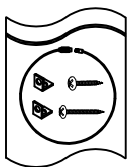


Around 10 min

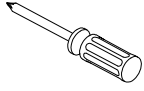
# PARTS LIST

A	x1
	

# HARDWARE LIST

#1	x1
	

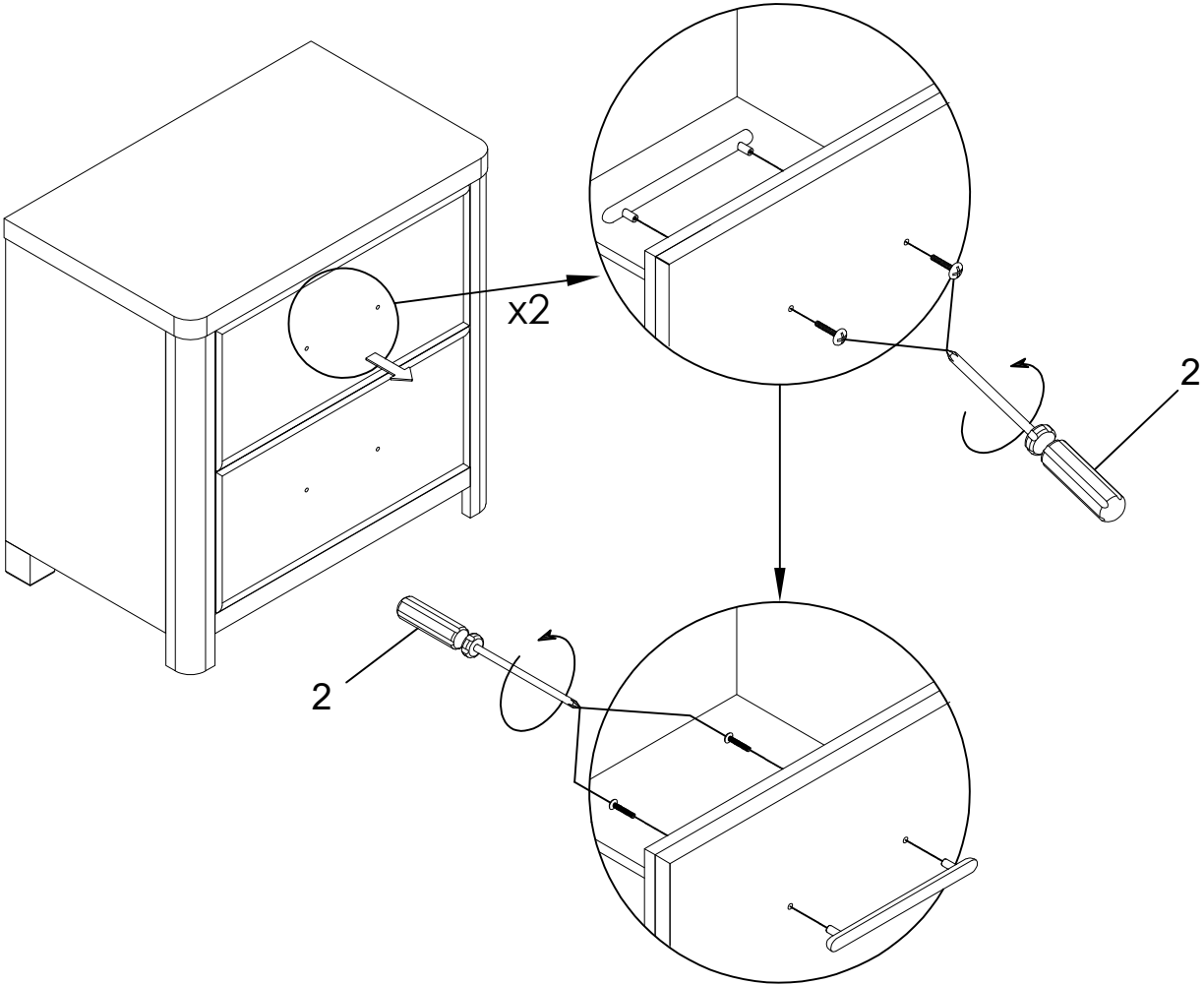
# TOOL LIST

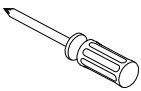
#2	x1
	
95	

# ASSEMBLY INSTRUCTIONS

## STEP-1

The handle is currently installed facing inward to facilitate transportation, and it is secured with bolts. Now, use a screwdriver to remove the bolts and detach the handle. Then, reposition the handle facing outward and reattach it using the previously removed bolts.

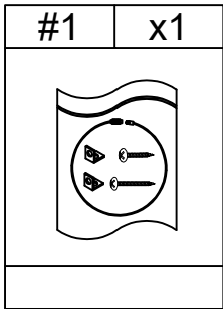
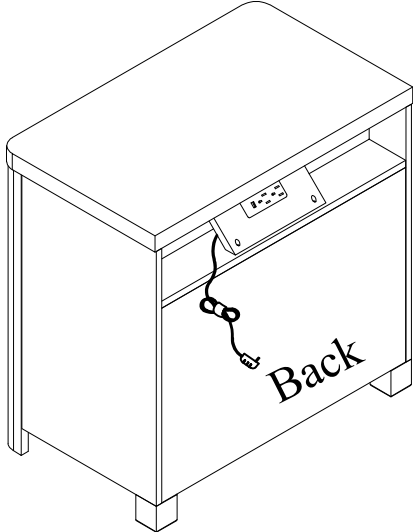
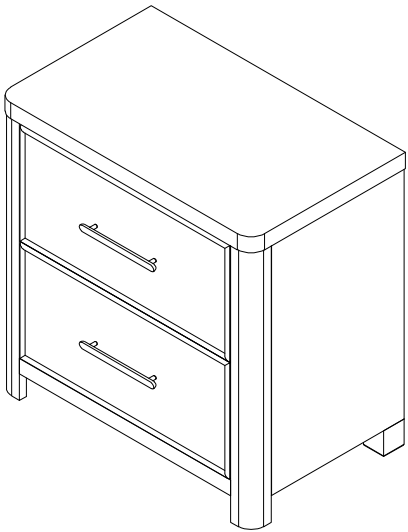
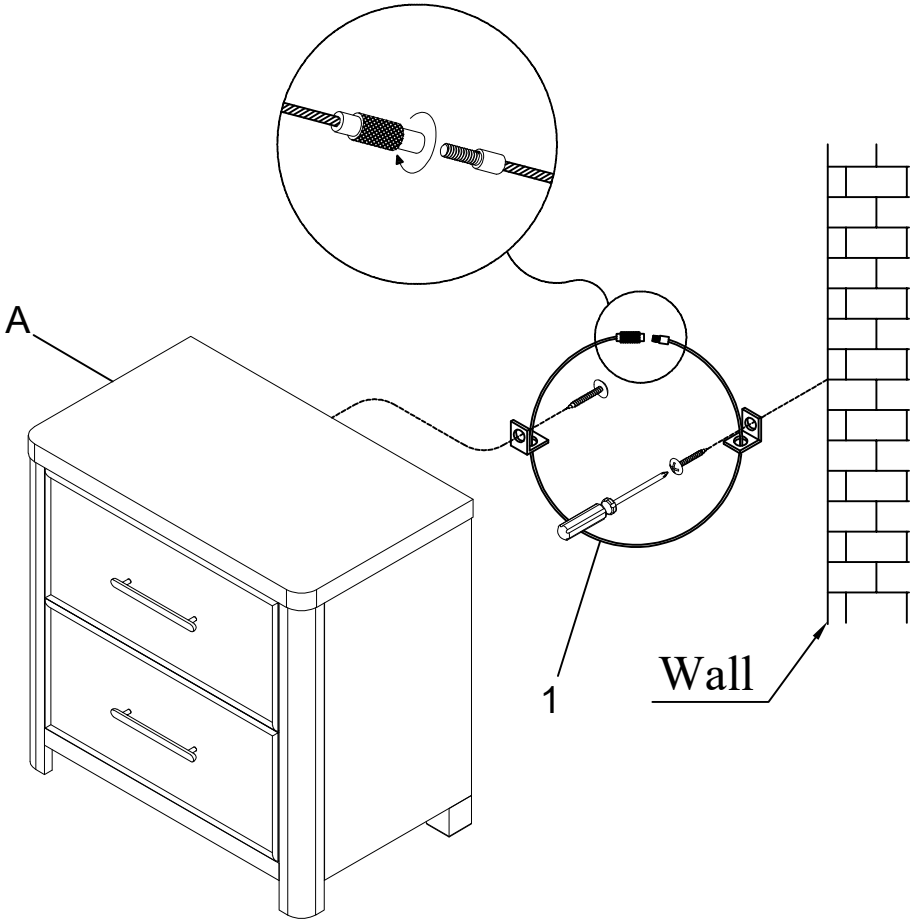


#2	x1
	
95	

# ASSEMBLY INSTRUCTIONS

## STEP-2

Use the anti-tip hardware kit (#1) to secure the cabinet to the wall. The installation method for the hardware is included in the anti-tip hardware package.



# WARRANTY

1. We strive to offer high-quality products, and we also try our best to satisfy each and every customer that orders from us with product or service as needed.
2. We provide 30 days warranty starting from the time you receive the item. Each customer must provide a record of their order such as the order number, or item receipt for any items that are out of the warranty period you may also still receive.
3. Replacement parts by purchasing them with our company if they are available.