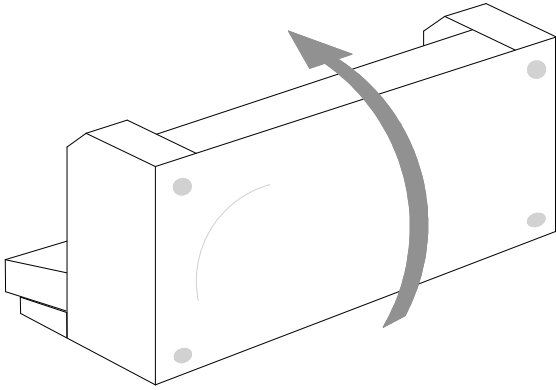


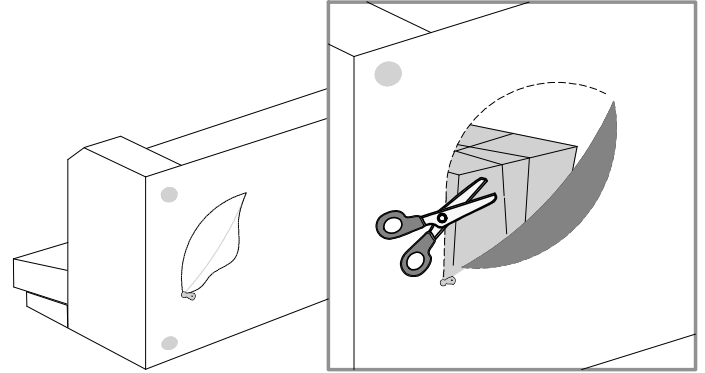
Leg Assembly Instructions

STEP 1



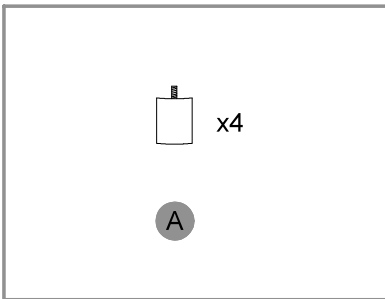
STEP 2

Unzip the storage compartment, cut the strap and remove the package

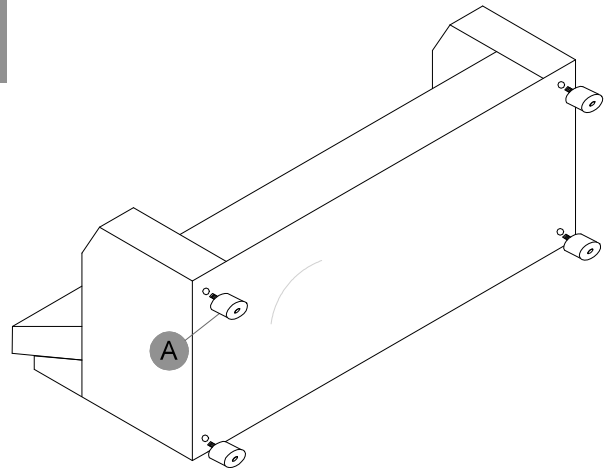


STEP 3

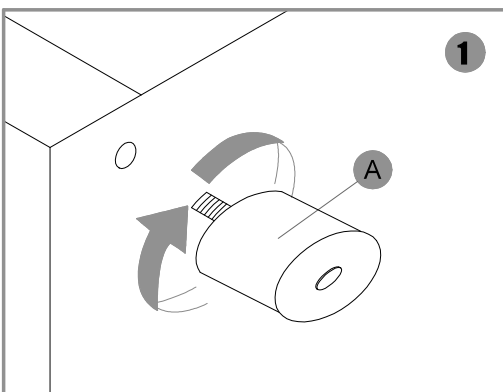
Unpack the parts package.



STEP 4



STEP 5



STEP 6

