

# Owner Manual

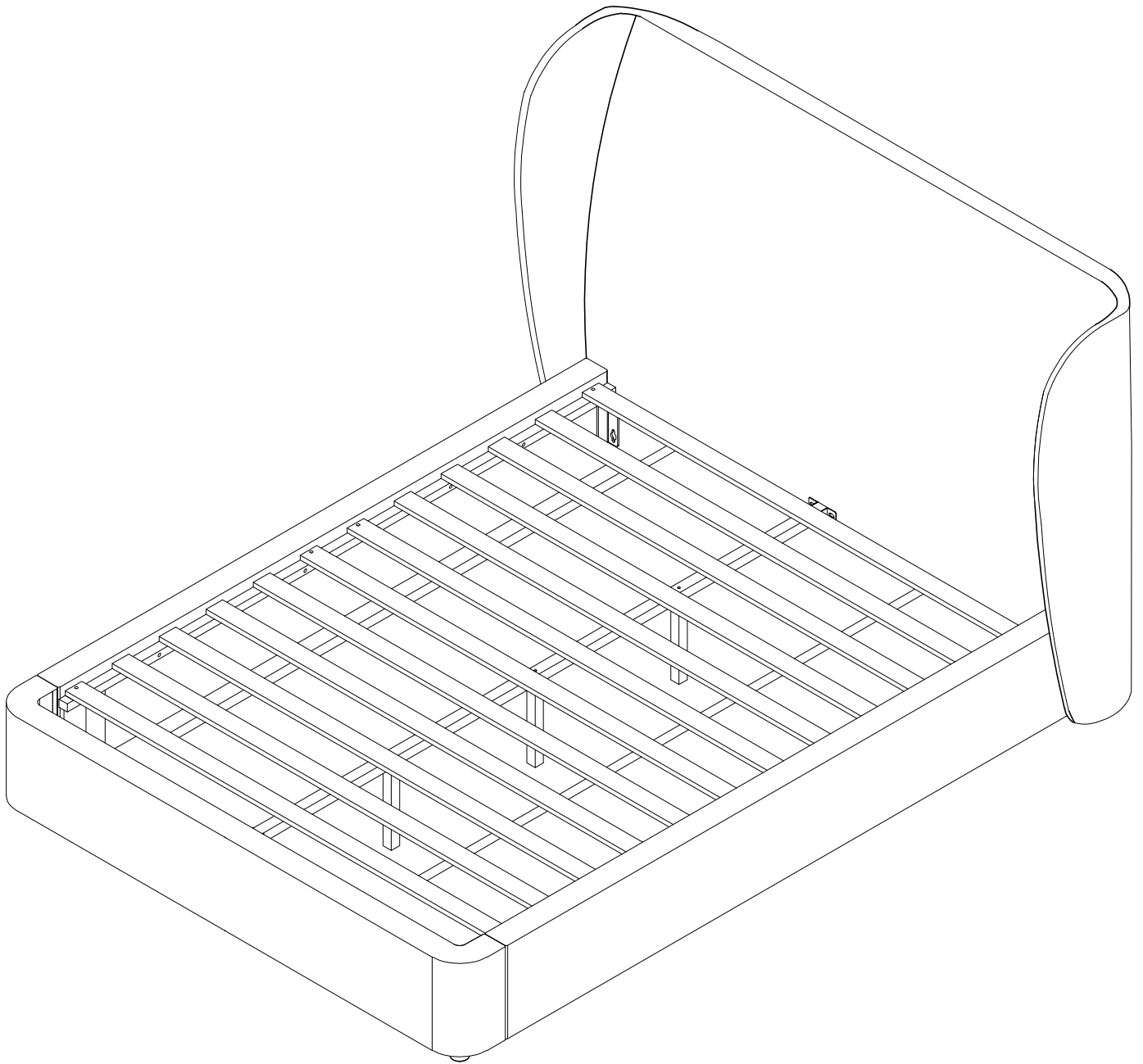
---

Thank You For Choosing Our Furniture

If you have any questions or concerns,  
don't hesitate to reach out to us.

**NOTE:**

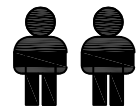
This brochure contains  
**IMPORTANT** safety info.  
Please read and keep it  
for future reference.



Per Seat Weight Limitation  
850LBS



Installation:  
45 minutes.



Two Person

# MAINTENANCE AND WARNINGS



## Before You Start

Please follow the steps below:

- ⚠ Check the packaging for any damage, deformation, or water stains. If there is significant damage, please contact us promptly.
- ⚠ Unpack the box and compare the contents with the parts list and hardware list to ensure all components and accessories are present and complete.
- ⚠ Please read the installation instructions carefully to understand the installation steps and precautions to ensure proper installation.
- ⚠ Clean the installation area in advance and ensure the ground is level and there is enough space to avoid damaging the furniture or making installation difficult.
- ⚠ Lay a protective mat on the ground to prevent scratching the floor during installation.

### After-Sales Service

- If you encounter any issues or need technical support during use, please contact our after-sales team. We offer long-term maintenance and warranty services.



## Precautions

- ⚠ This product is for indoor use only. Do not expose it to outdoor elements or high-humidity environments.
- ⚠ Keep the product away from high heat or open flames to prevent fire hazards.
- ⚠ Do not allow children to climb on the product, as this may cause tipping and result in personal injury.

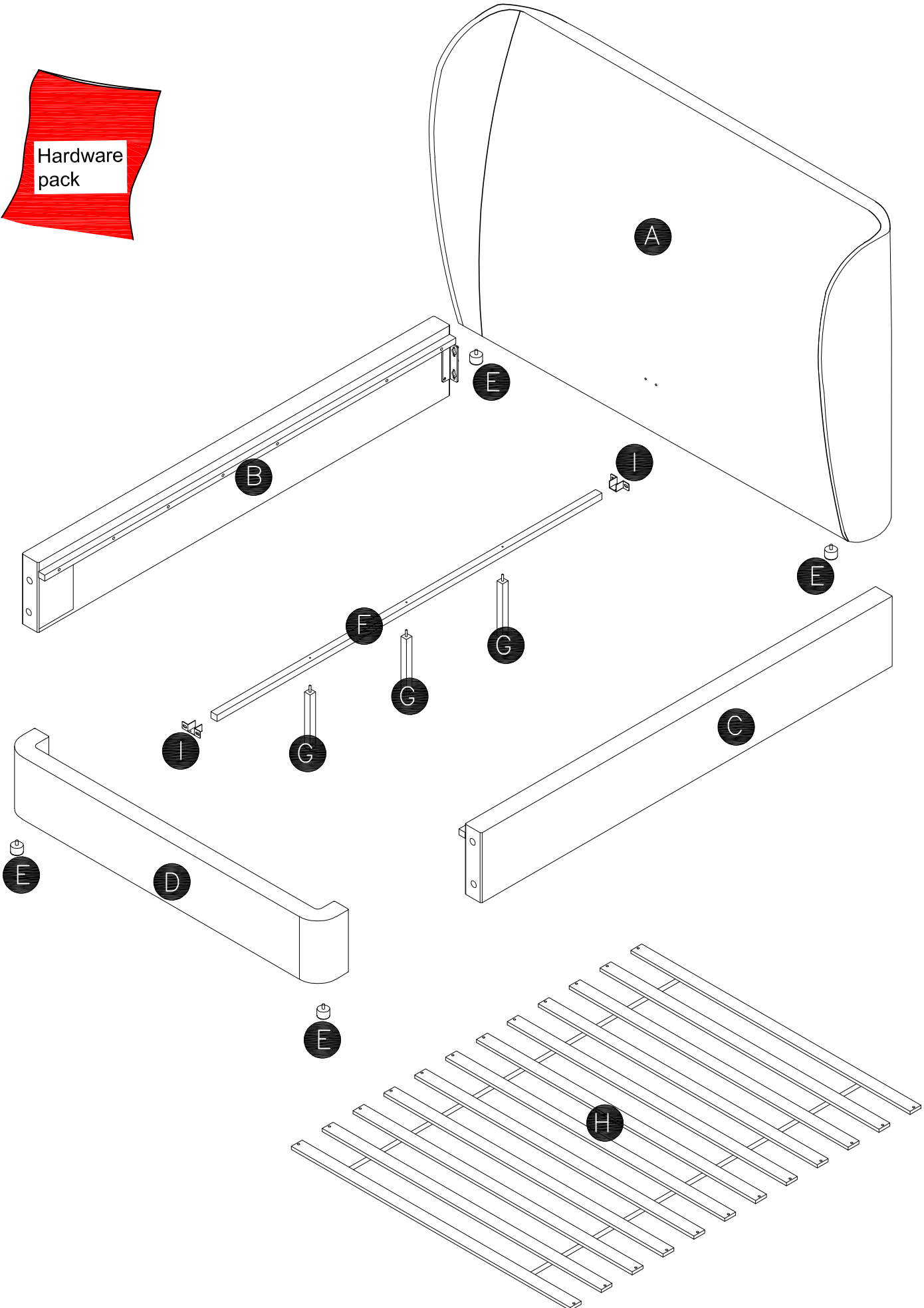
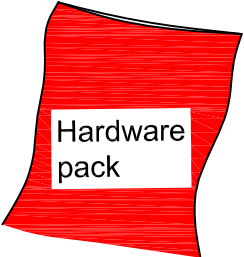


## Safety Warnings

- ⚠ If you notice any loose or damaged parts, stop using the product immediately and contact customer service.
- ⚠ Do not attempt to disassemble or replace any components yourself, as this may affect the stability and safety of the product.

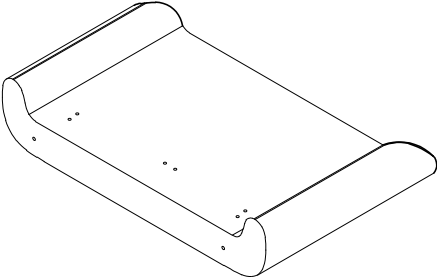
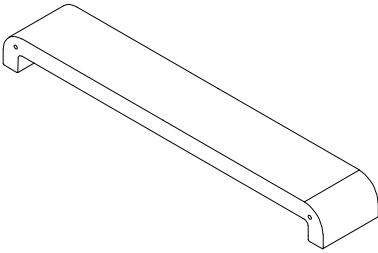
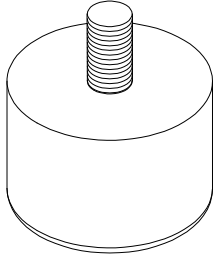
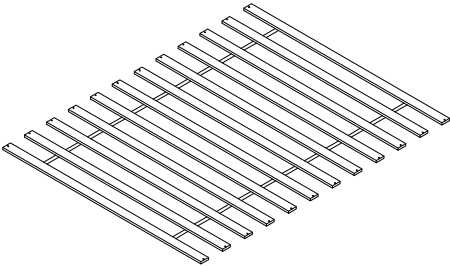
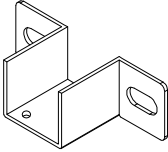

- Daily Maintenance  
Regularly clean the surface with a soft cloth to prevent dust accumulation.
- Do not use cleaning agents containing acids, alkalis, or corrosive substances, as they may damage the surface. It is recommended to use neutral cleaning agents or specialized furniture cleaners.
- Avoid exposing furniture to humid environments for extended periods. Use a dehumidifier or desiccant during humid weather.
- Avoid direct contact of furniture with water. If water is accidentally spilled, wipe it dry immediately.
- Avoid placing excessively heavy objects on the furniture: ensure the weight is within a reasonable load-bearing range.
- Avoid using sharp or rough items on the furniture surface to prevent scratches. Handle items gently when moving them.

# Explosive view



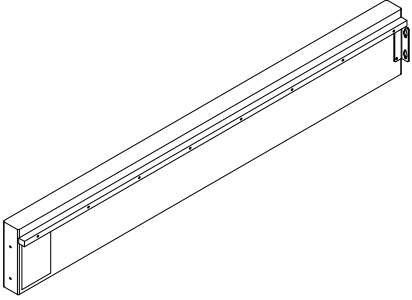
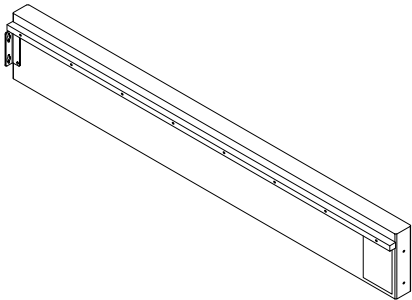
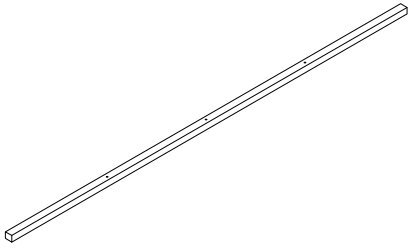
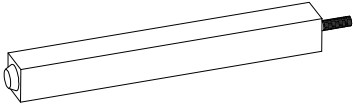
# Parts list

Box A

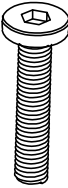
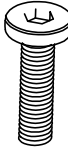
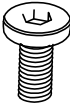
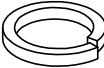

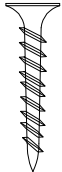

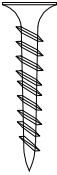
<p>A x1 <b>Head board</b></p> 	<p>D x1 <b>Footboard</b></p> 	<p>E x4 <b>Legs</b></p> 
<p>H x1 <b>Bed Slat(12pcs)</b></p> 	<p>I x2 <b>Mental Bas</b></p> 	<p>Hardware Pack</p> 

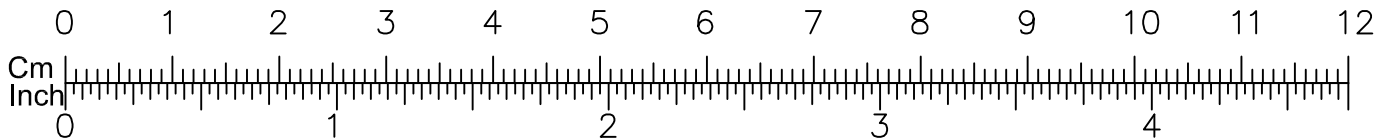
# Parts list

Box B

<p>B x1 <b>Left side rail</b></p>  A long, narrow, rectangular rail with a slightly curved top edge and a small notch on the left side.	<p>C x1 <b>Right side rail</b></p>  A long, narrow, rectangular rail with a slightly curved top edge and a small notch on the right side.	<p>F x1 <b>Slat Center Support</b></p>  A long, thin, rectangular support piece with a small notch on the left side.
<p>G x3 <b>Support Leg</b></p>  A short, cylindrical support leg with a small protrusion on the right side.		

# Hardware List

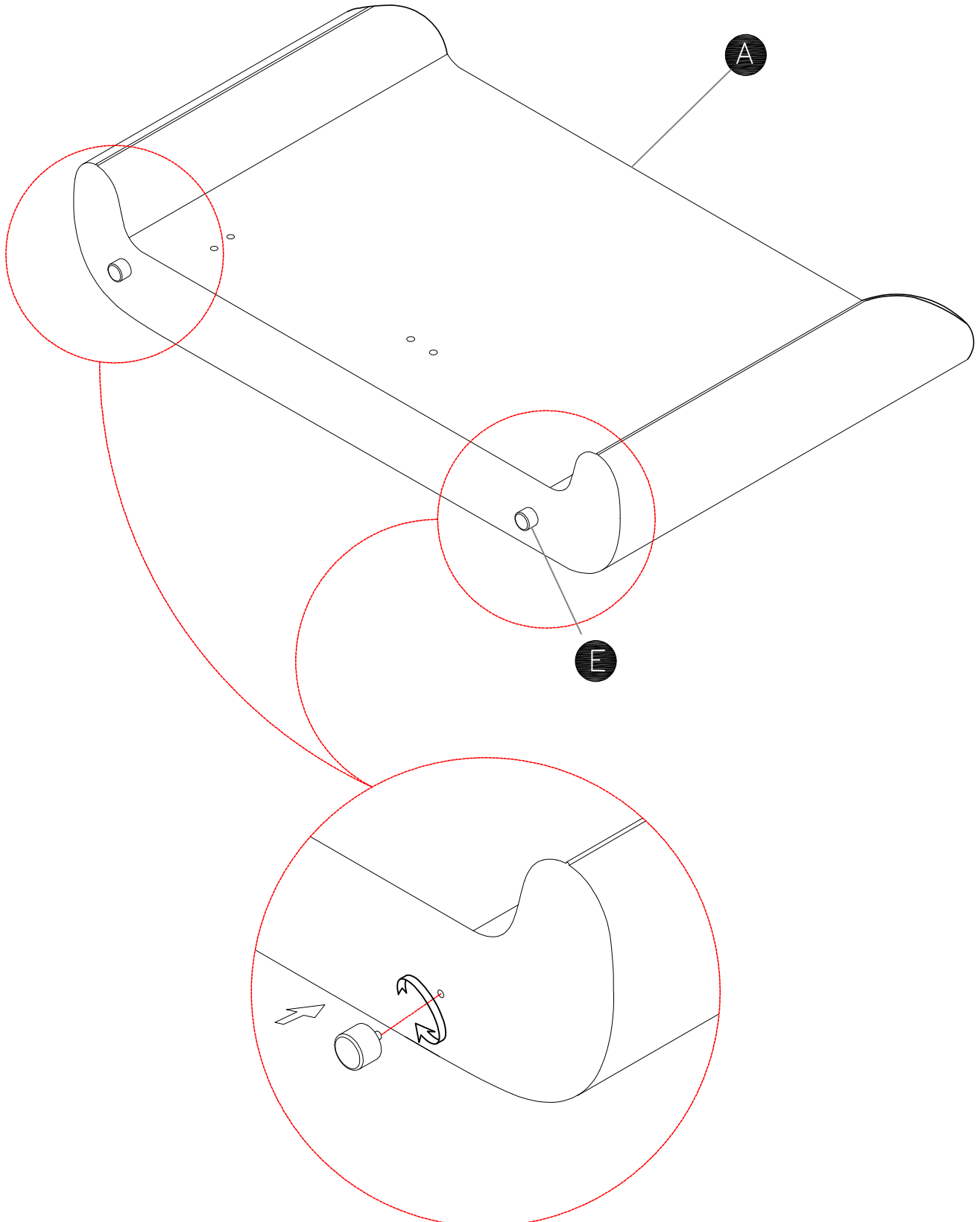
<p>1</p>  <p>x4+1</p> <p>Ø 5\16xL1-3/4"</p>	<p>2</p>  <p>x4+1</p> <p>Ø 5\16xL1-1/4"</p>	<p>3</p>  <p>x4+1</p> <p>Ø 5\16xL3/4"</p>
<p>4</p>  <p>x12+1</p> <p>Ø 5\16"xØ 13mm</p>	<p>5</p>  <p>x12+1</p> <p>Ø 5\16"*Ø 19x1.5mm</p>	<p>6</p>  <p>x4+1</p> <p>M4xL15mm</p>
<p>7</p>  <p>x1</p> <p>Allen Wrench M4</p>	<p>8</p>  <p>x24+2</p> <p>M8xL32mm</p>	



Note: Before installing the screws, please first distinguish the length of the screw rods.

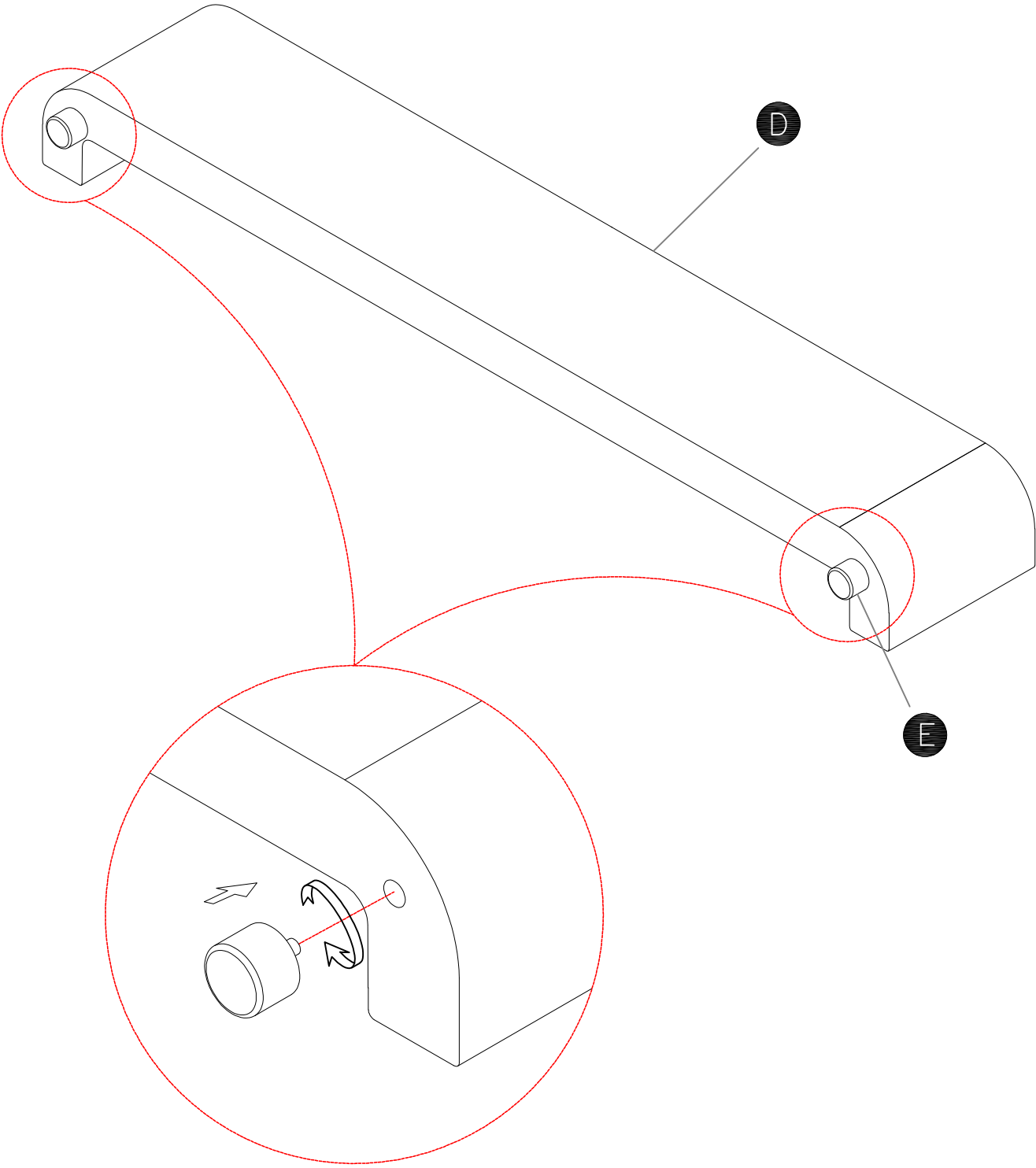
Step 1

Insert A and E fully assembly 100%



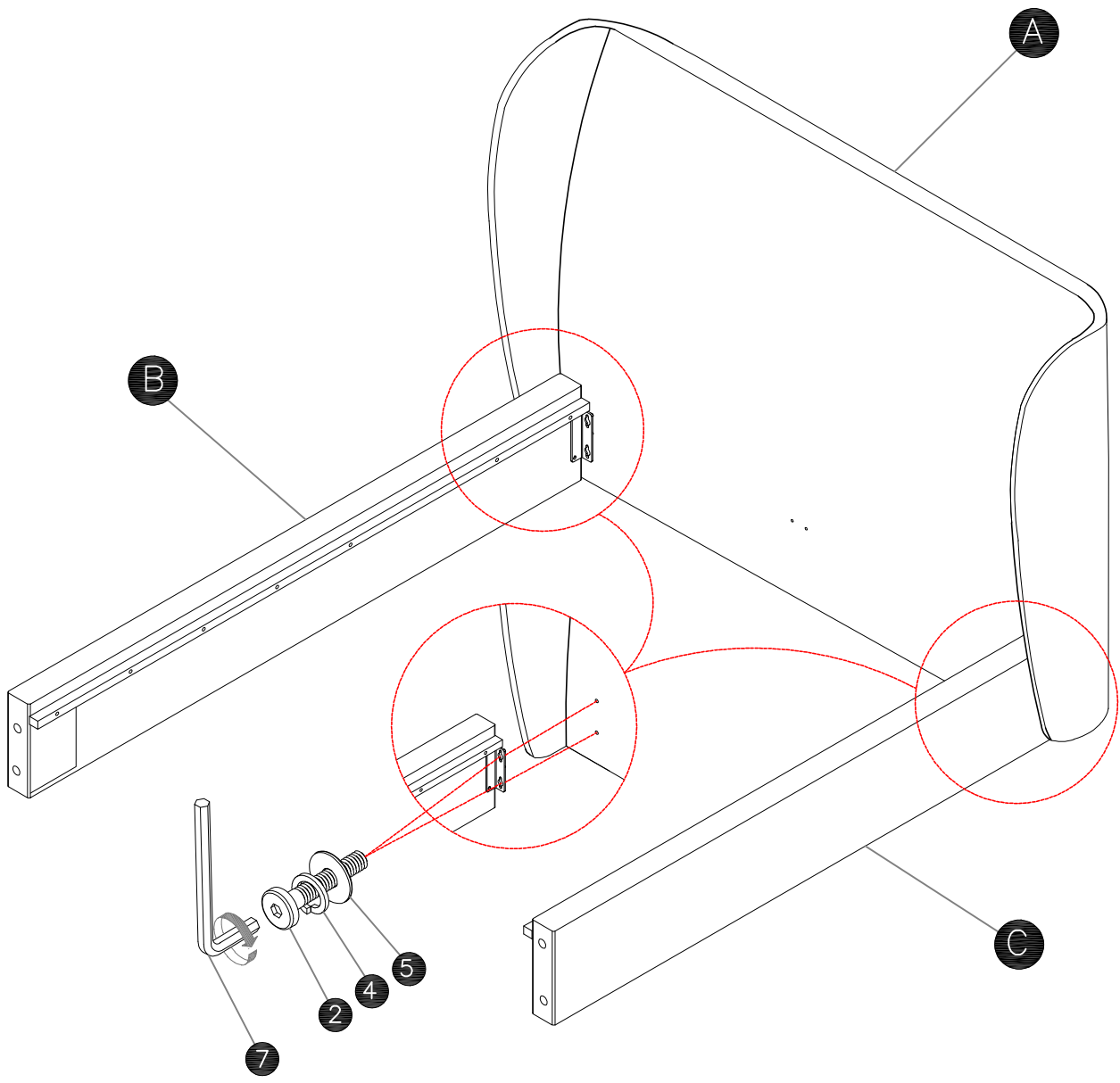
Step 2

Insert D and E fully assembly 100%



# Step 3

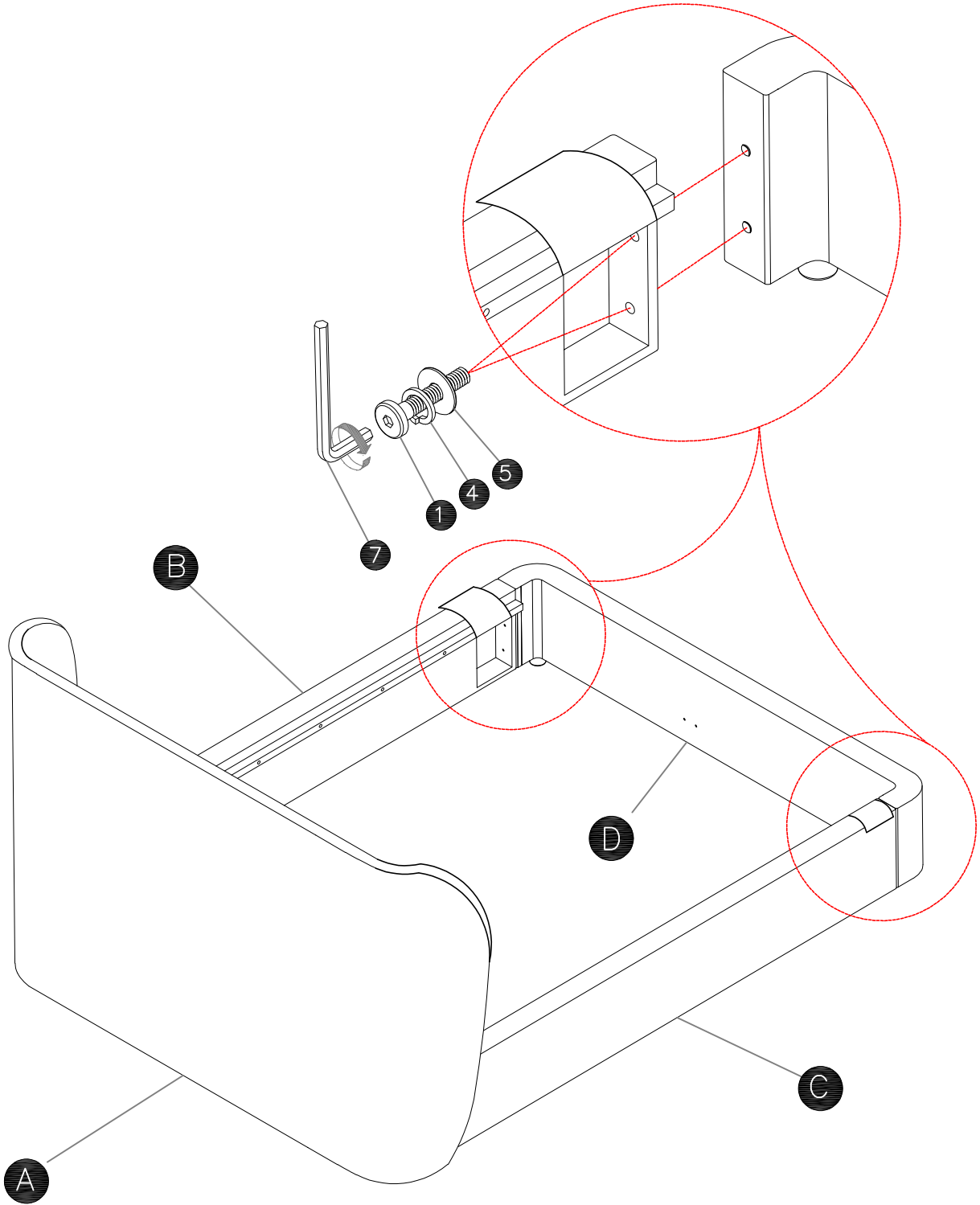
Insert B,C and A just tighten the screws 50% until complete Step 3. fully assembly 100%



4	x4	5	x4	2	x4	7
Ø5\16"xØ13mm		Ø5\16"xØ19*1.5mm		Ø5\16xL1-1/4"		Allen Wrench M4

# Step 4

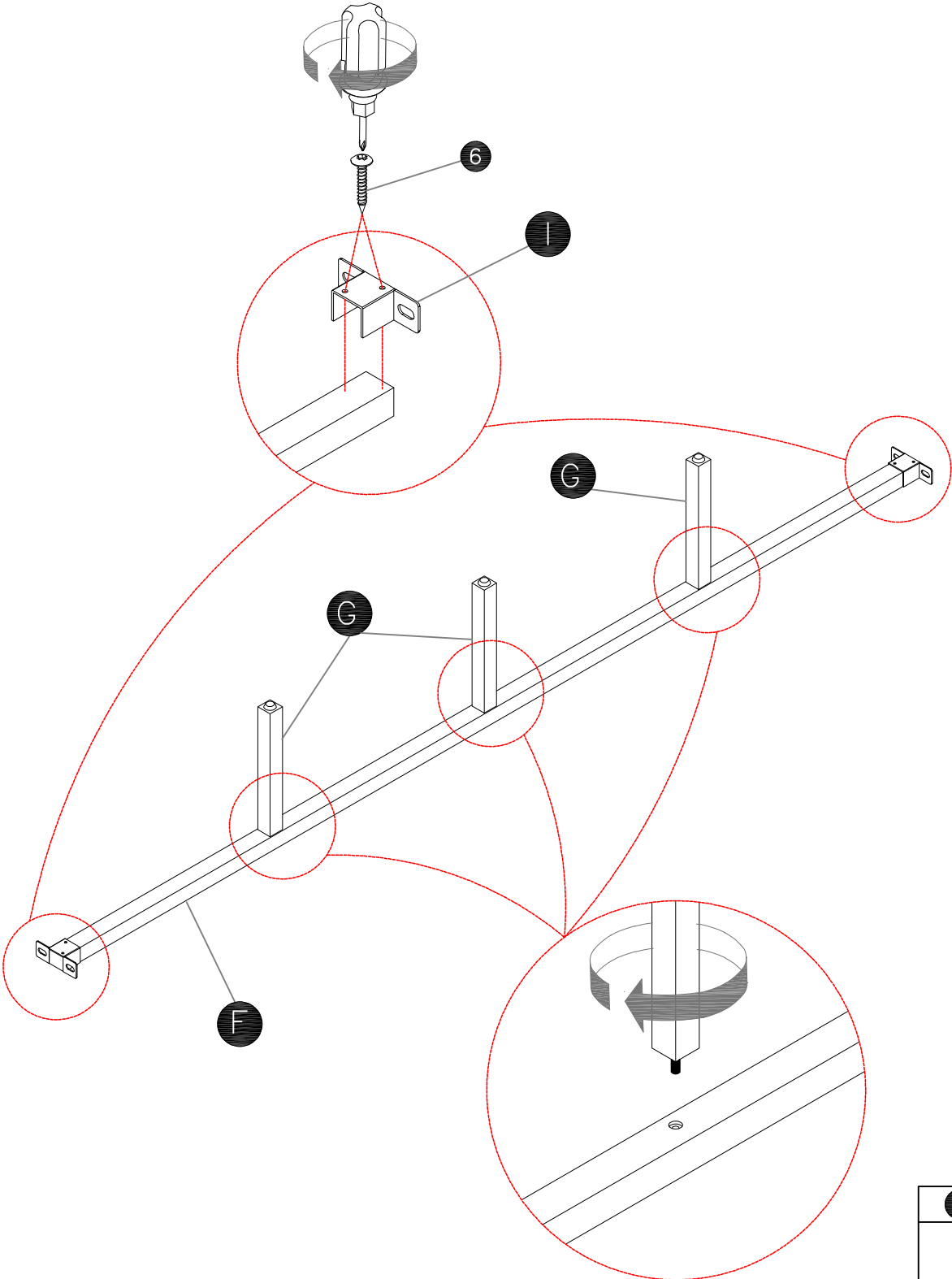
Insert D just tighten the screws 50% until complete Step 4. fully assembly 100%




4	x4	5	x4	1	x4	7
Ø5\16"xØ13mm		Ø5\16"xØ19*1.5mm		Ø5\16xL1-3/4"		Allen Wrench M4

# Step 5

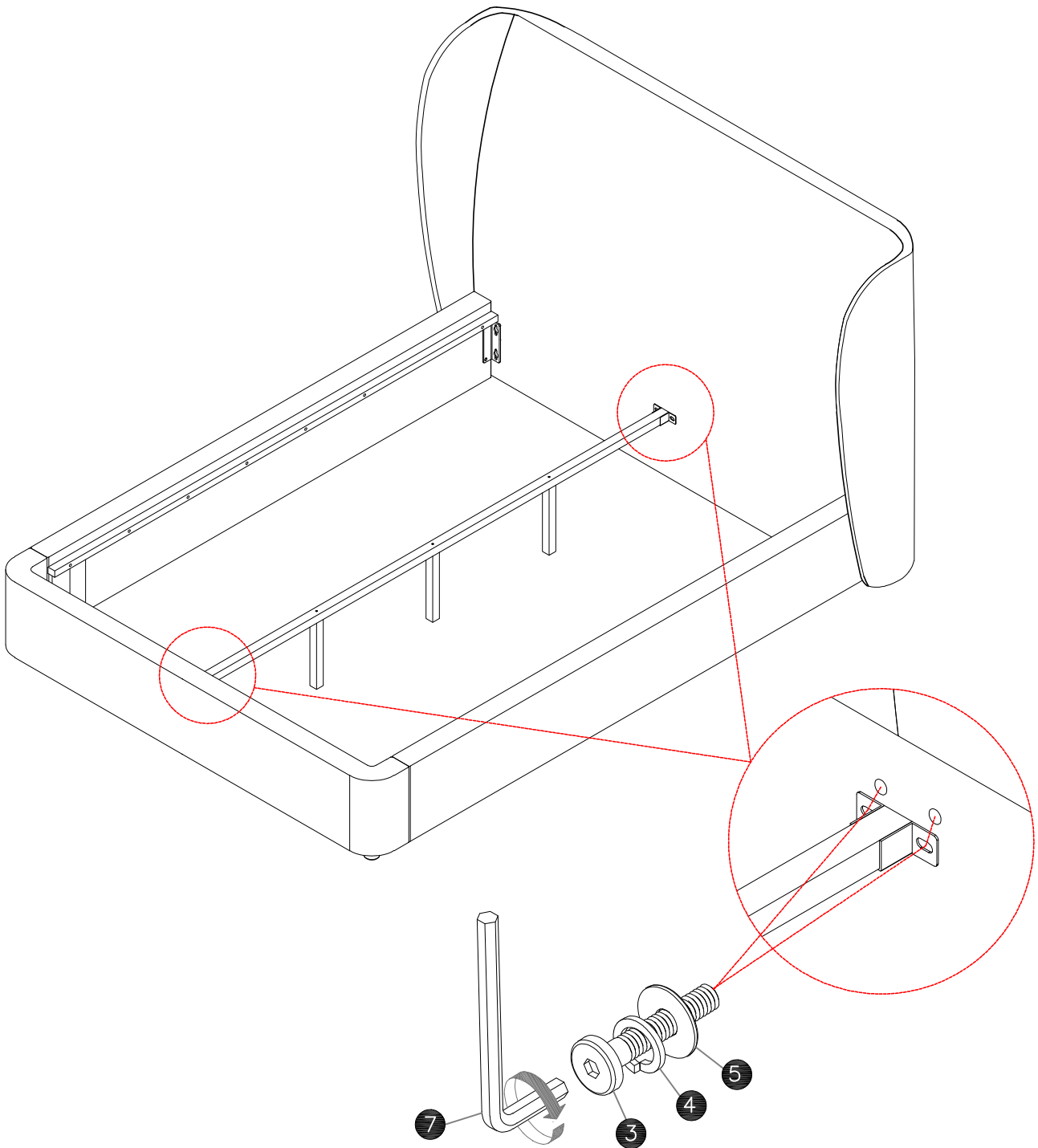
Insert F and I just tighten the screws 50% until complete Step 5. G fully assembly 100%

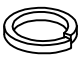





6	x4
	
M4XL15mm	

# Step 6

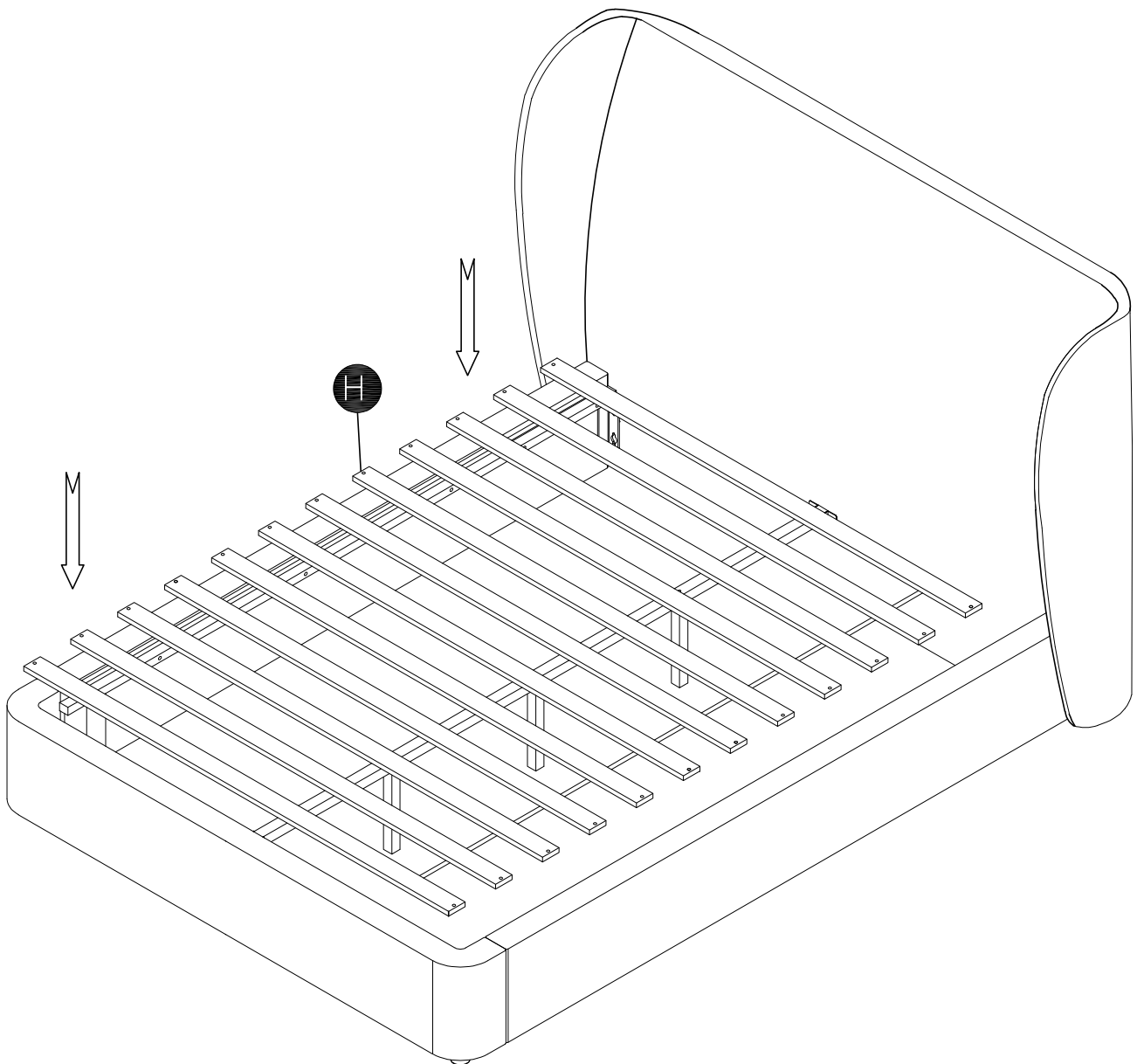
Just tighten the screws 50% until complete Step 6. fully assembly 100%



4	x4	5	x4	3	x4	7
						
Ø5\16"xØ13mm		Ø5\16"xØ19*1.5mm		Ø5\16xL3/4"		Allen Wrench M4

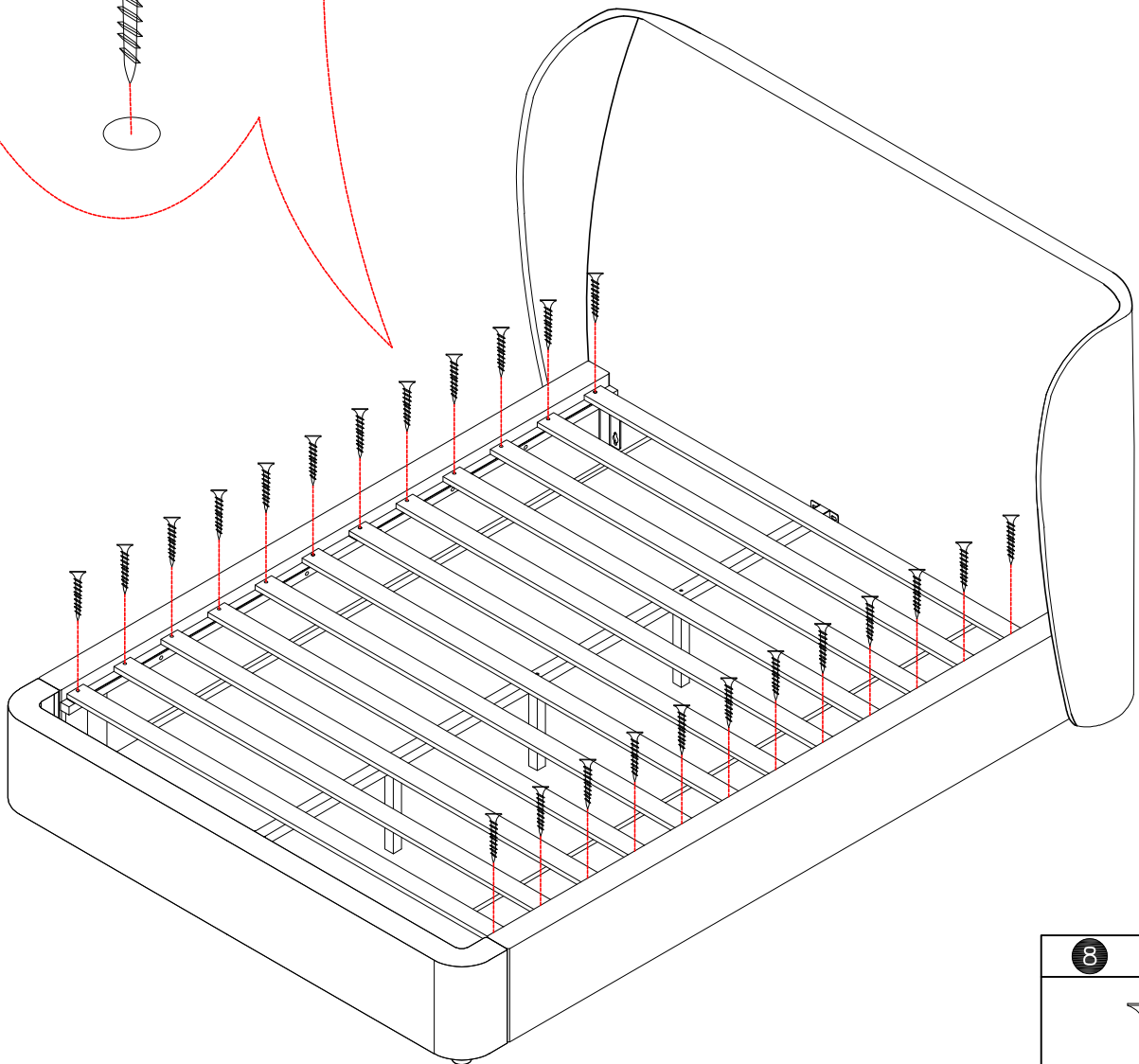
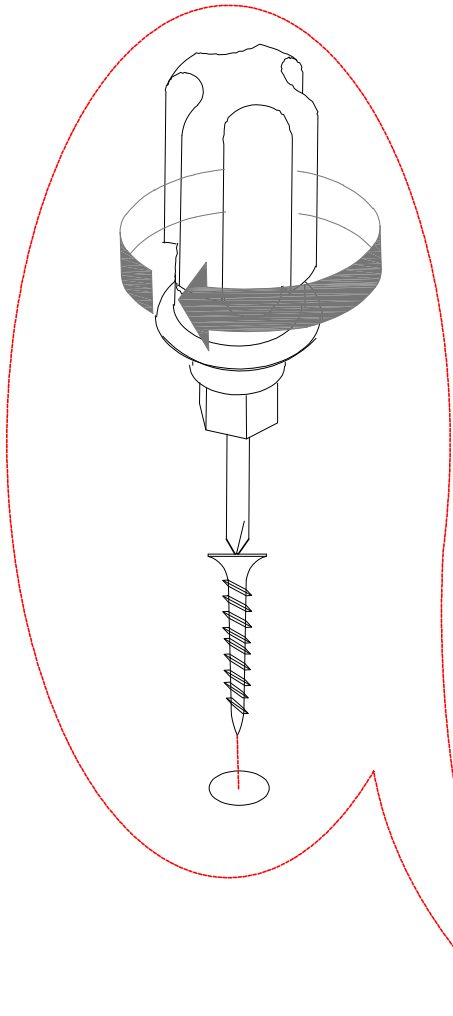
Step 7

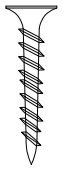
insert H and arrange neatly fully assembly 100%



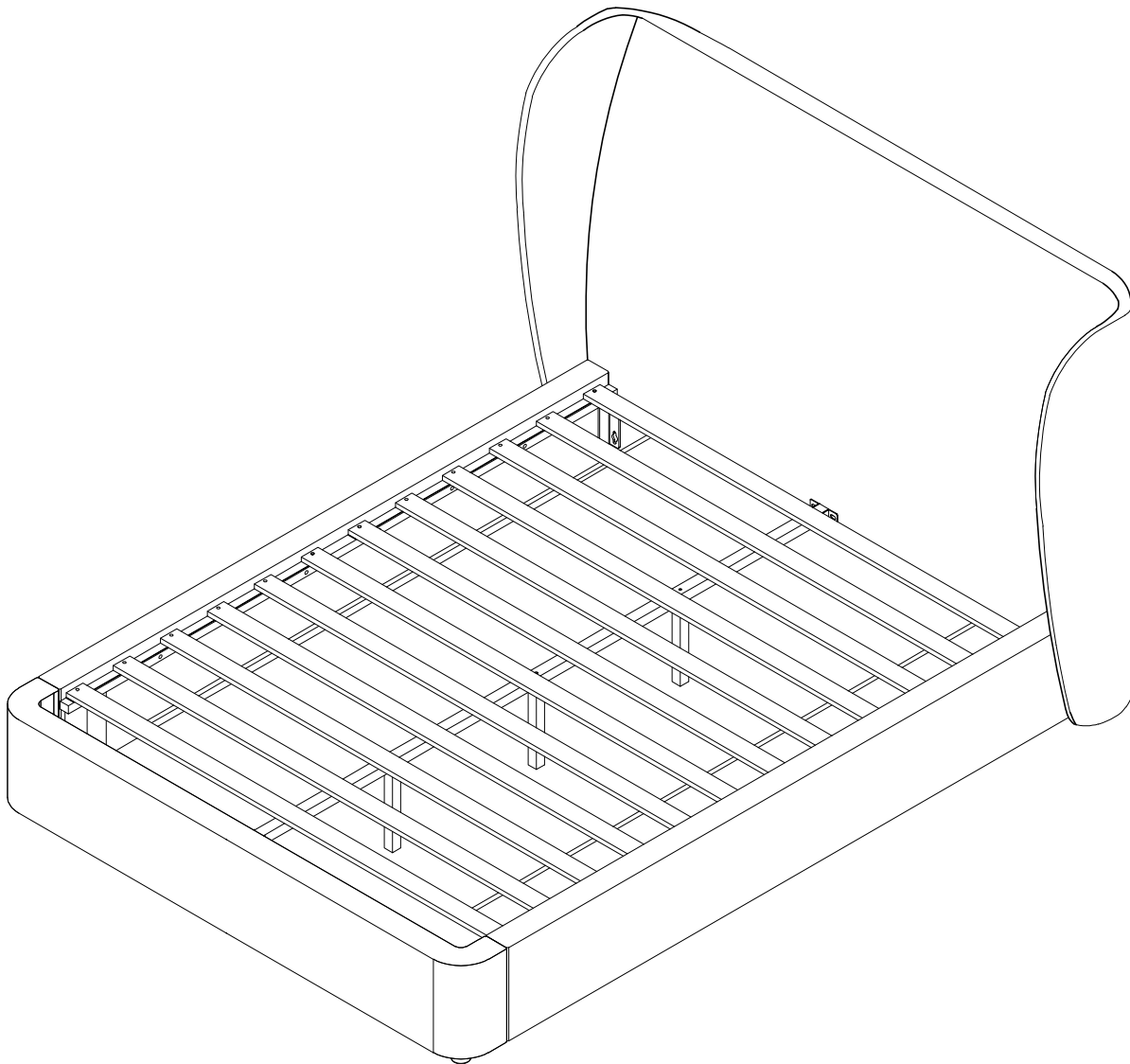
Step 8

Just tighten the screws 50% until complete Step 8.



8	x24
	
M4XL32mm	

Step 9



Assembly completed.

# WARRANTY

We strive to offer quality products, and we also try our best to satisfy every customer who orders from us with products or services as needed.

Replacement parts can be purchased from our company if available.

For returns, please check the return policy with the retailer or marketplace where you purchased the item.

We appreciate your purchase.  
Brighten your life with our furniture!