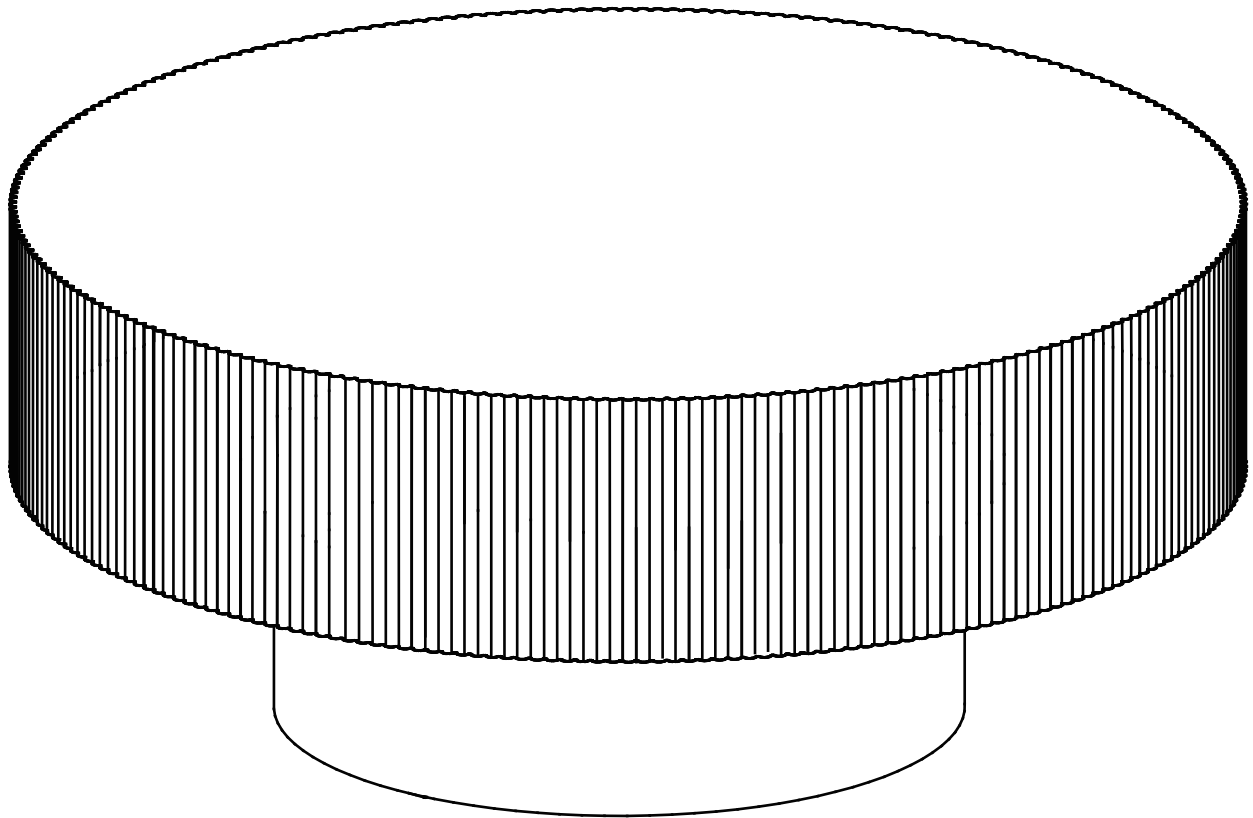


Coffee Table

Assembly Instructions - Please keep for future reference



Important - Please read these instructions fully before starting assembly



Safety and Care Advice

Important – Please read these instructions fully before starting assembly

- Check you have all the components and tools listed on the following pages.
- Remove all fittings from the plastic bags and separate them into their groups.
- Keep children and animals away from the work area, small parts could choke if swallowed.
- Make sure you have enough space to layout the parts before starting.

- During assembly do not stand or put weight on the product, this could cause damage.
- Assemble the item as close to its final position (in the same room) as possible.
- Assemble on a soft level surface to avoid damaging the unit or your floor.
- Parts of the assembly will be easier with 2 people.



power drill is set on a low torque setting.

- To reduce the likelihood of damaging your product please ensure that your

Care and maintenance

• Only clean using a damp cloth and mild detergent, do not use bleach or abrasive cleaners.

• From time to time check that there are no loose screws on this unit.

• This product should not be discarded with household waste. Take to your local authority waste disposal centre.

Handy Hints

• Assemble all parts and bolts loosely during assembly, only once the product is complete should you fully tighten the bolts

• Regularly check and ensure That all bolts and fittings are tightened properly.

WARNING
In order to help prevent overturning – please follow these instructions

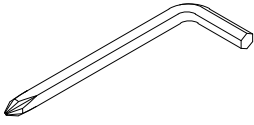
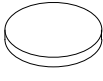
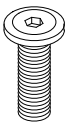
To help prevent product toppling over please follow the below steps:-

- Use the anti tip stap or wall fixing method provided (if applicable)
- Do not allow children to climb or hang on the furniture
- Do not open more than one drawer at a time
- Do not place heavy items in the top drawers
- Do not place heavy items on top of the furniture, unless the furniture has been designed for this purpose

Components - Fittings

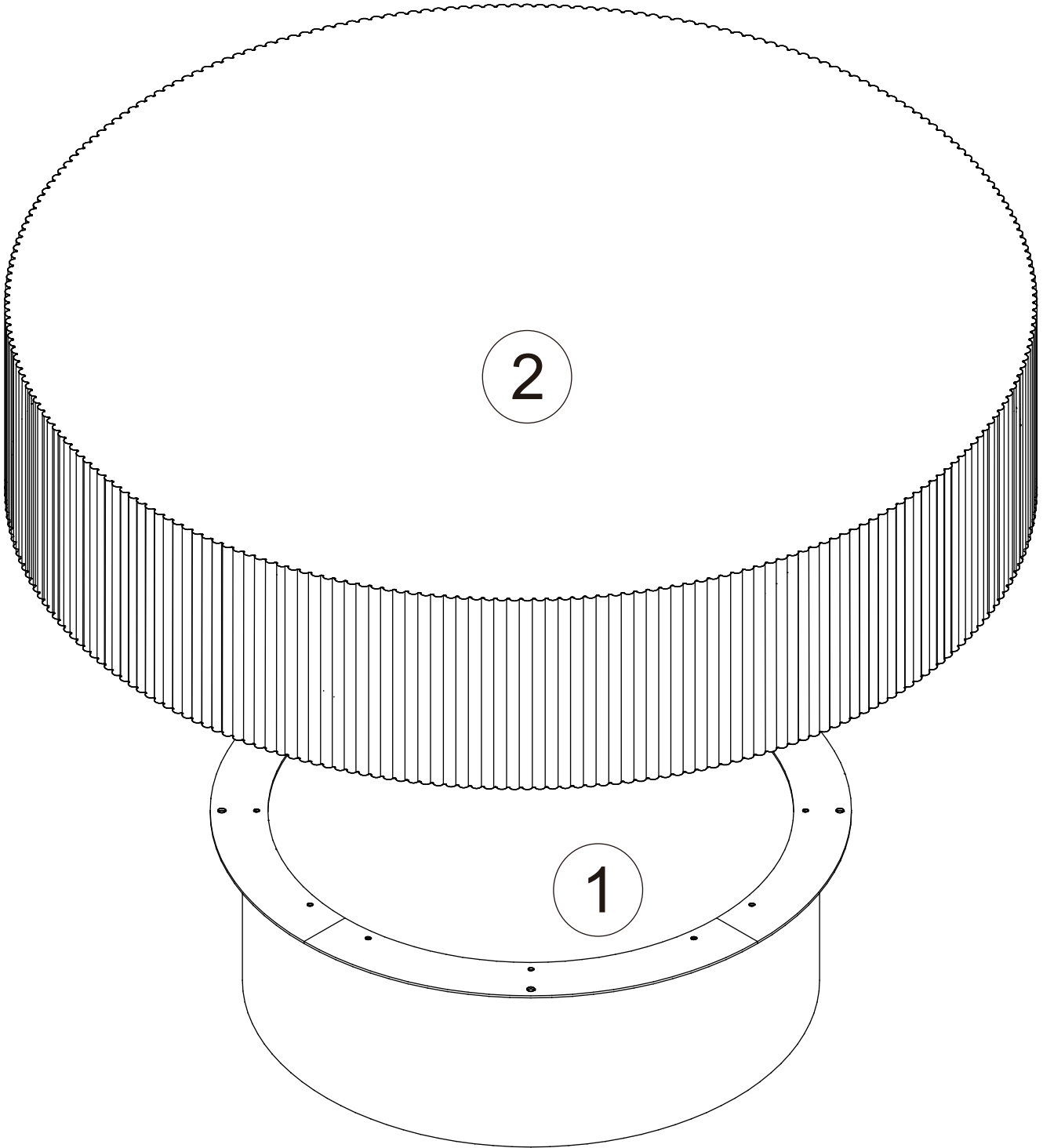
Please check you have all the panels listed below

Note: The quantities below are the correct amount to complete the assembly. In some cases, more fittings may be supplied than required.

A  QTY: 1 Ø10*45mm	B  QTY: 4	C  QTY: 4 Ø1/4*12mm
ALLEN WRENCH	FOOT PAD	BOLT

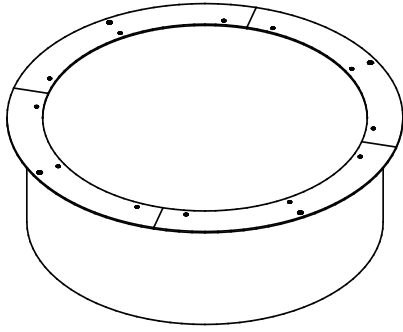
COMPONENTS - KEY DIAGRAM

(base) is pre-placed inside the (top).
Please remove the (base) and adjust its orientation before
assembling it with ②(top).



COMPONENTS - KEY DIAGRAM

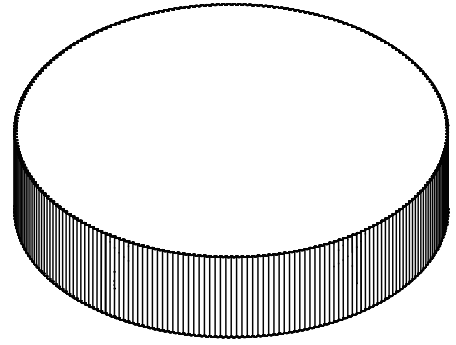
1



LEG (Ø450x165mm)

QTY: 1

2

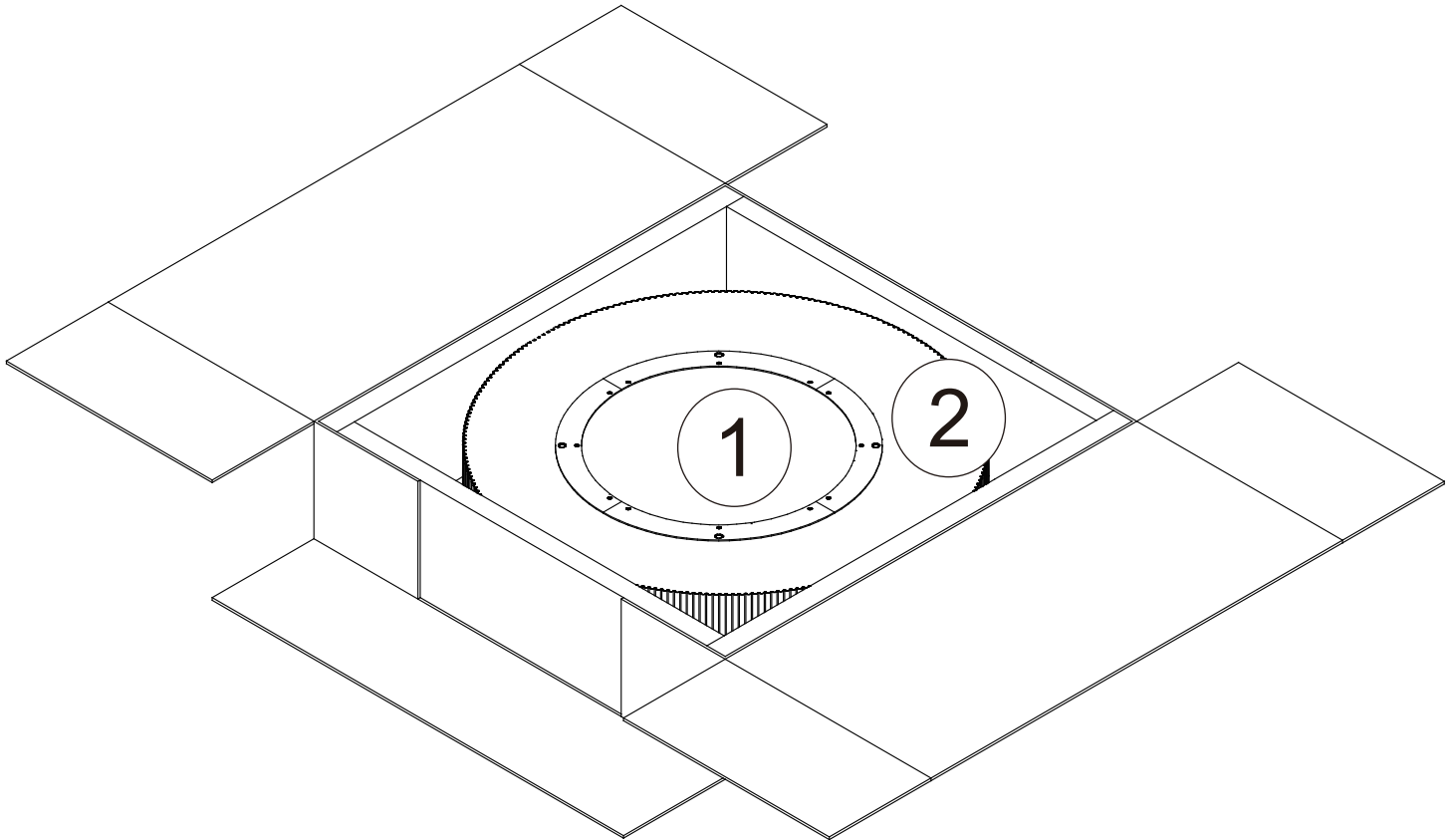


ROUND TABLE TOP (Ø450x165mm)

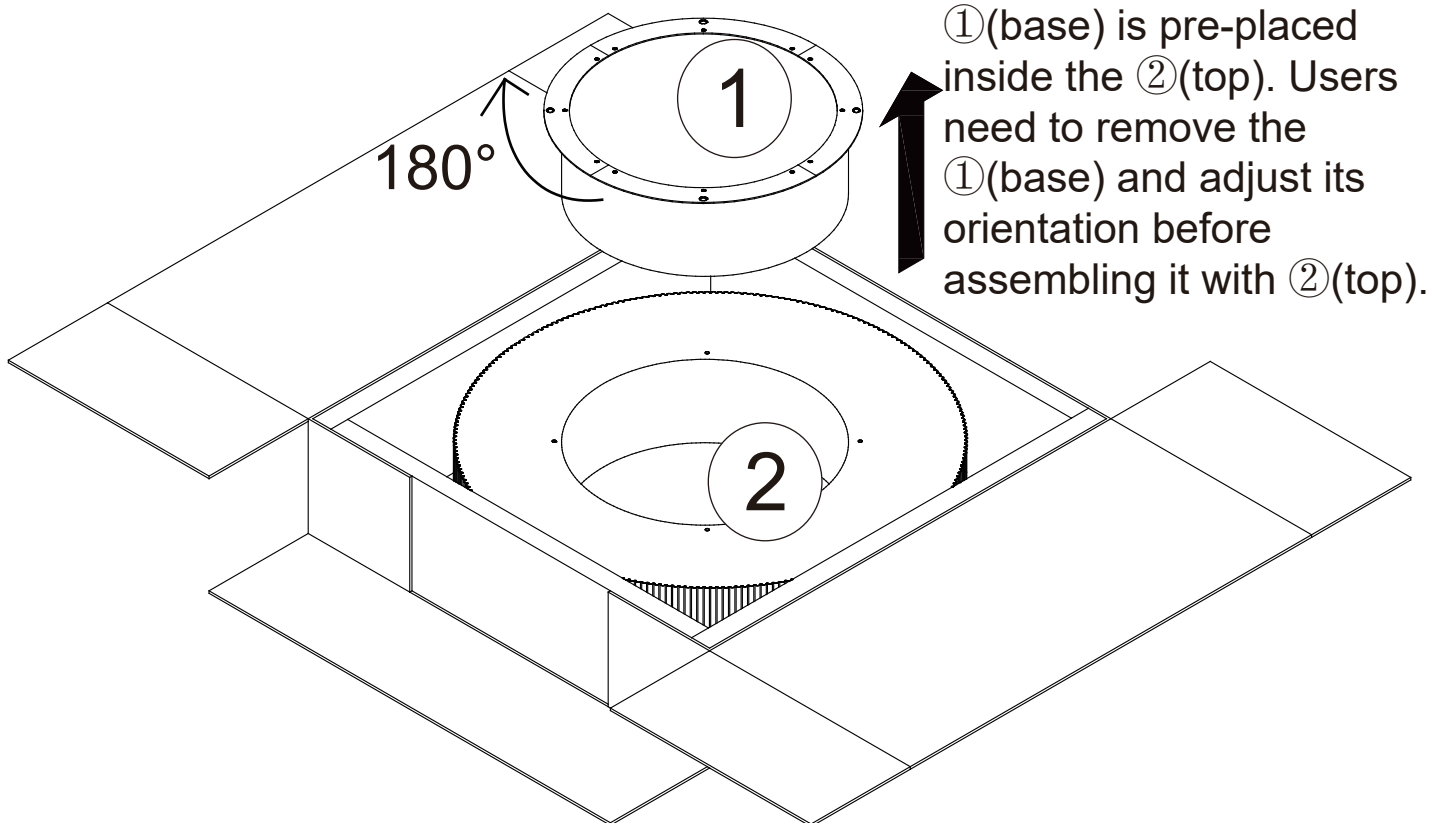
QTY: 1

ASSEMBLY INSTRUCTIONS

STEP 1

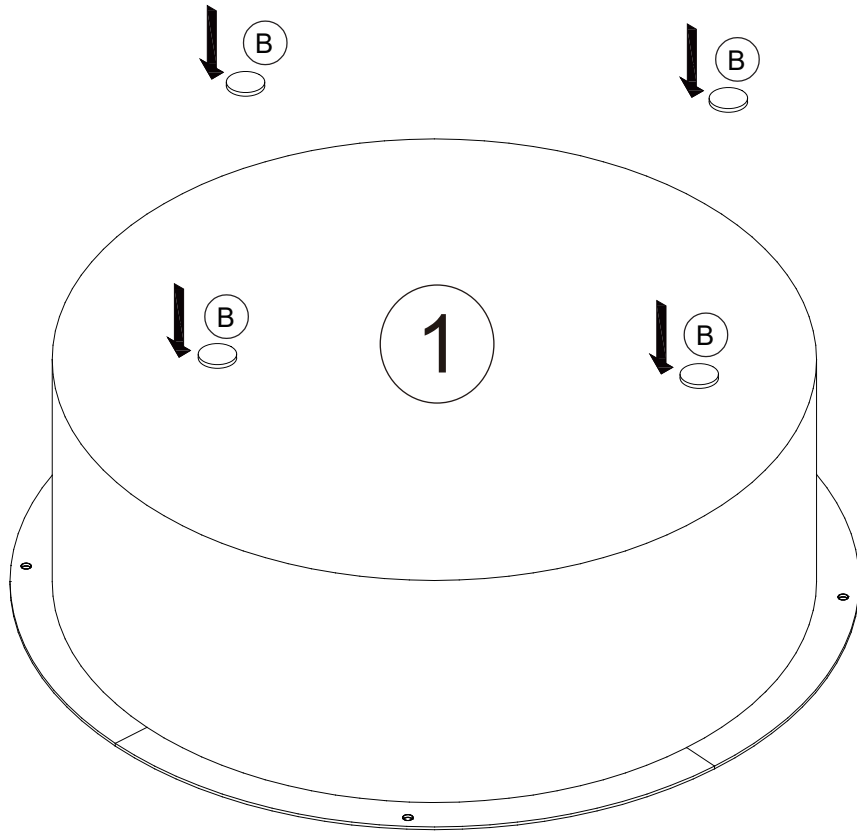



STEP 2



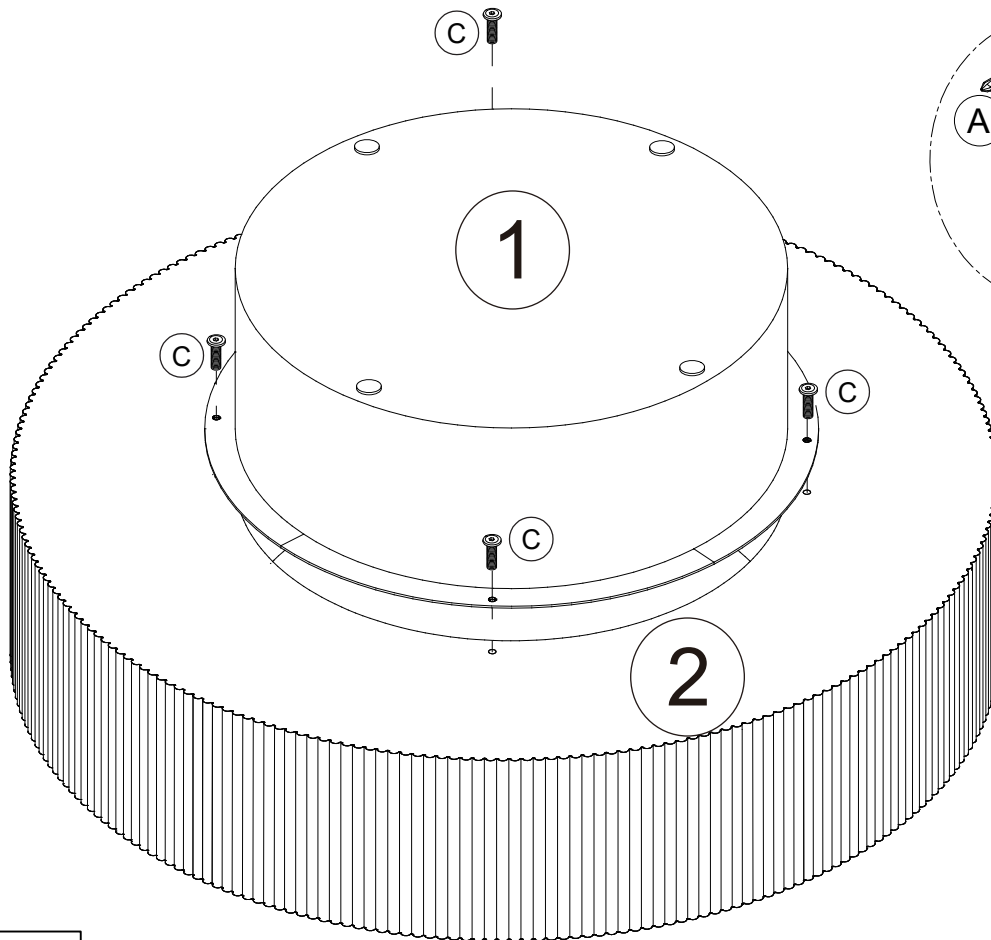
ASSEMBLY INSTRUCTIONS



STEP 3



B		4PCS
---	---	------

STEP 4



A		1PC
C		4PCS

ASSEMBLY INSTRUCTIONS

COMPLETED !

Please flip
carefully.

