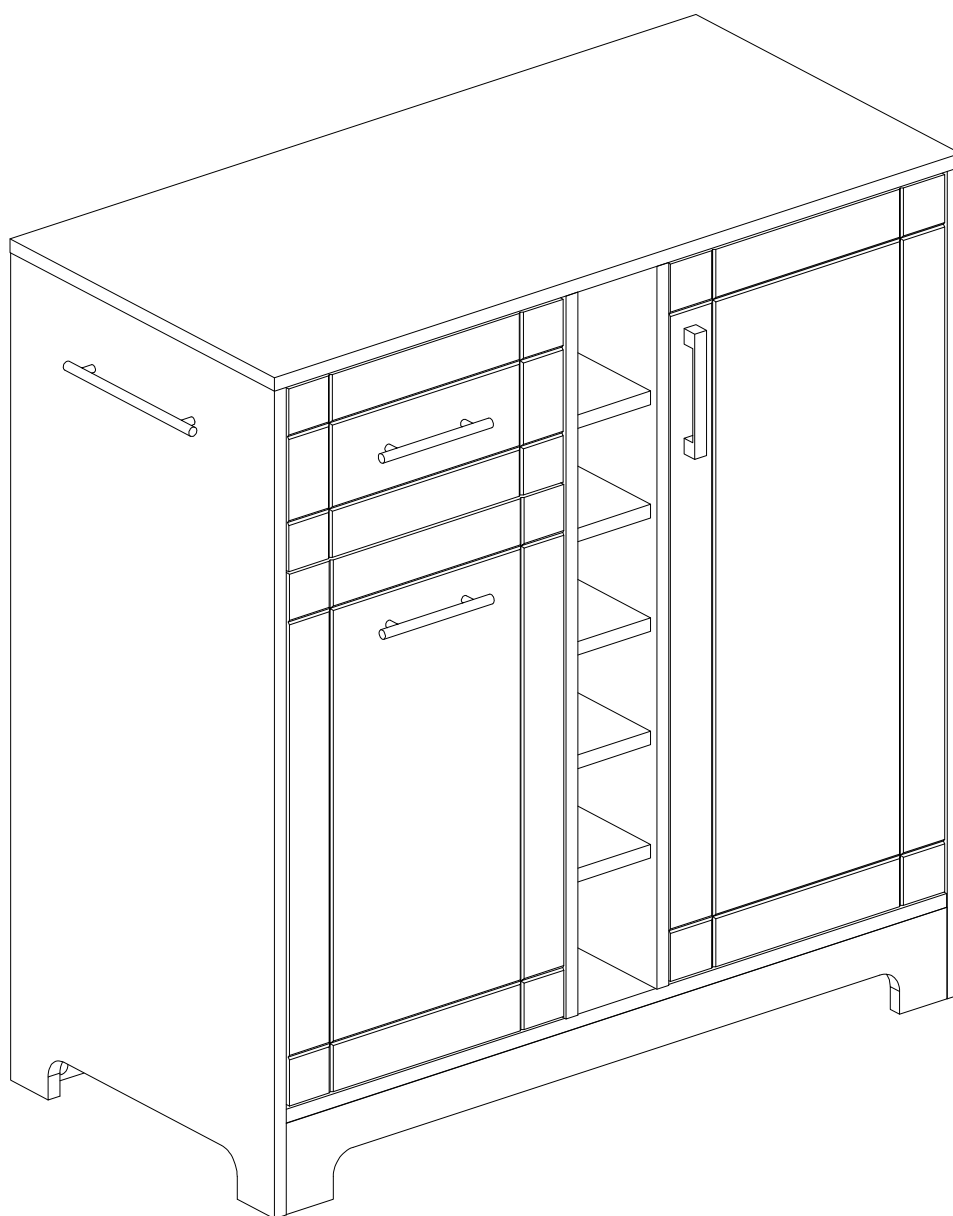


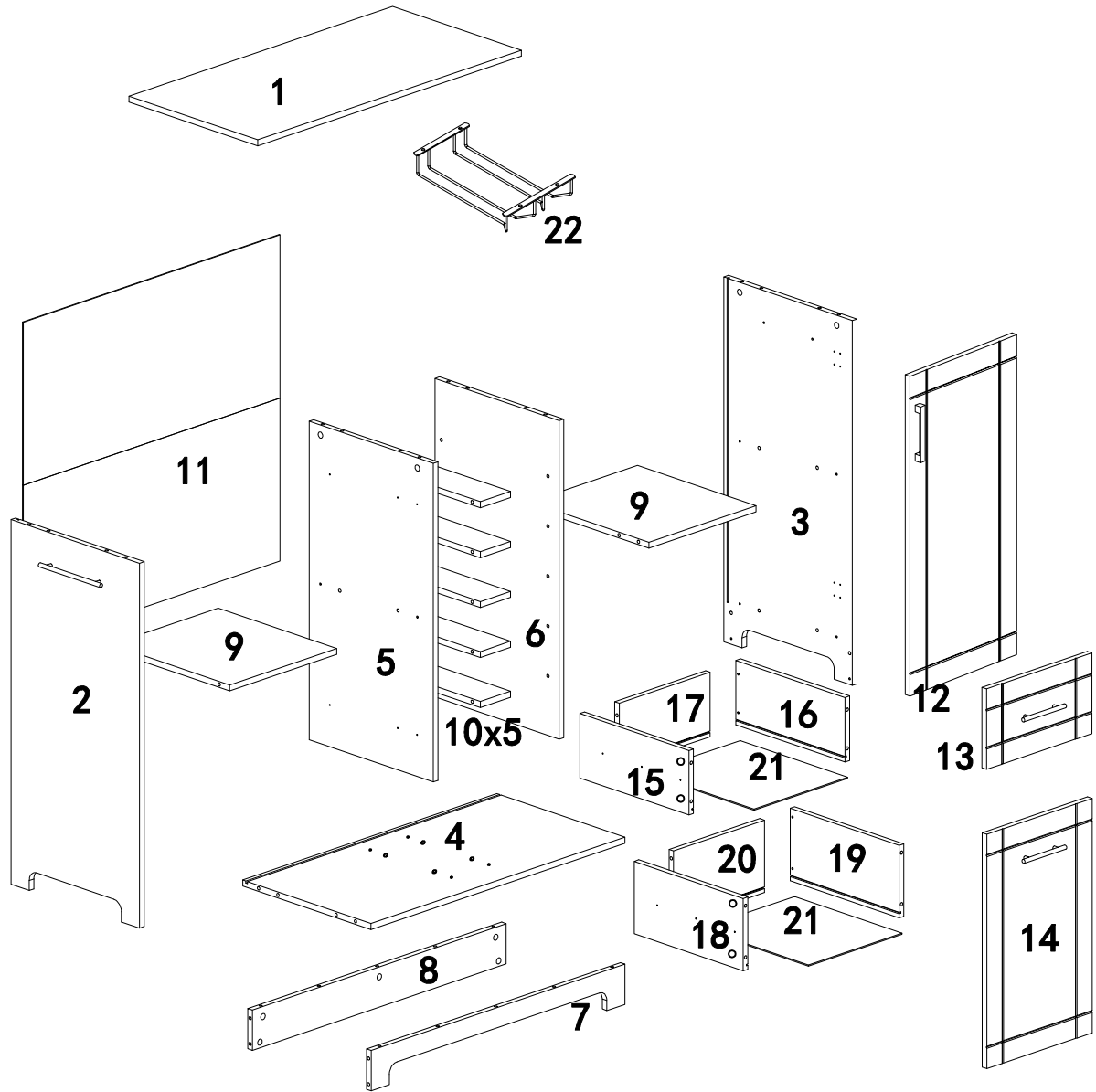
HOME SOURCE[®]

ASSEMBLY INSTRUCTIONS







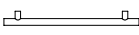








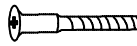



ITEM #: DC24



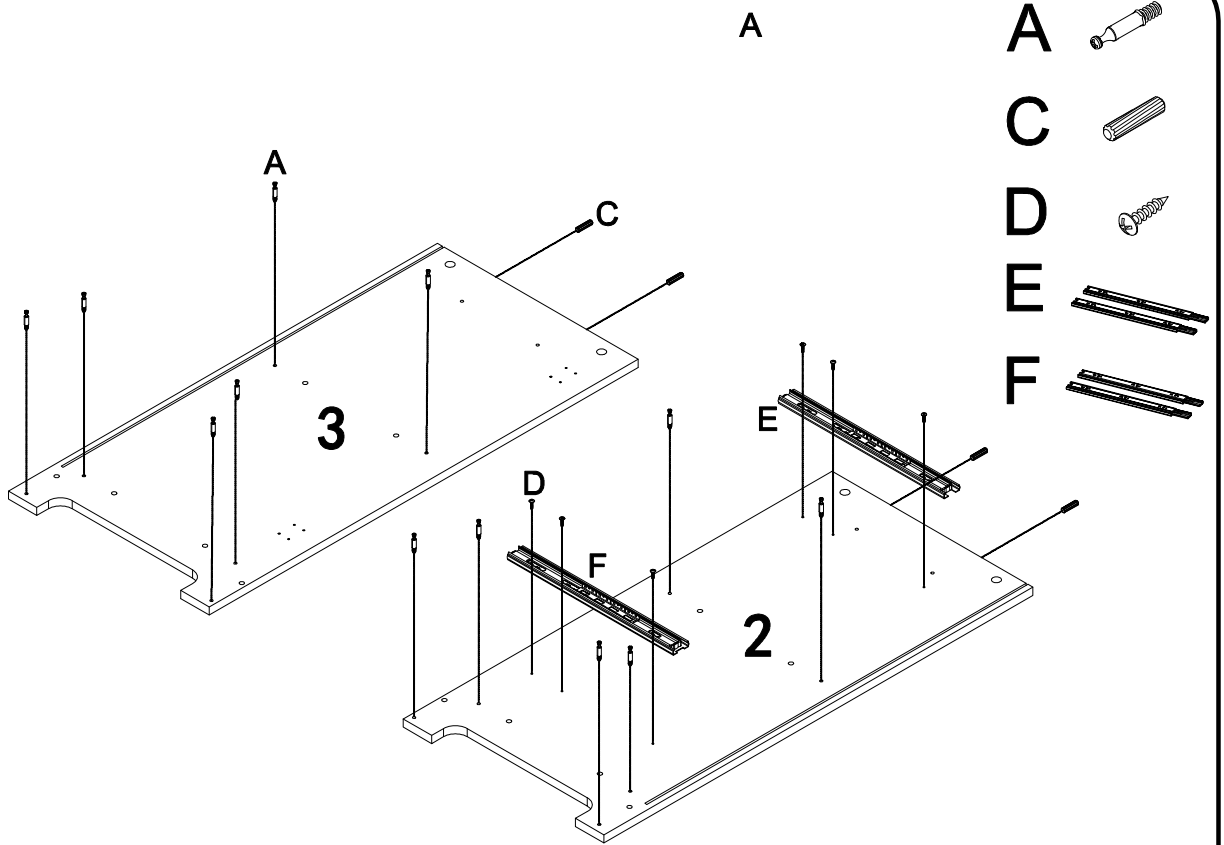
Parts List



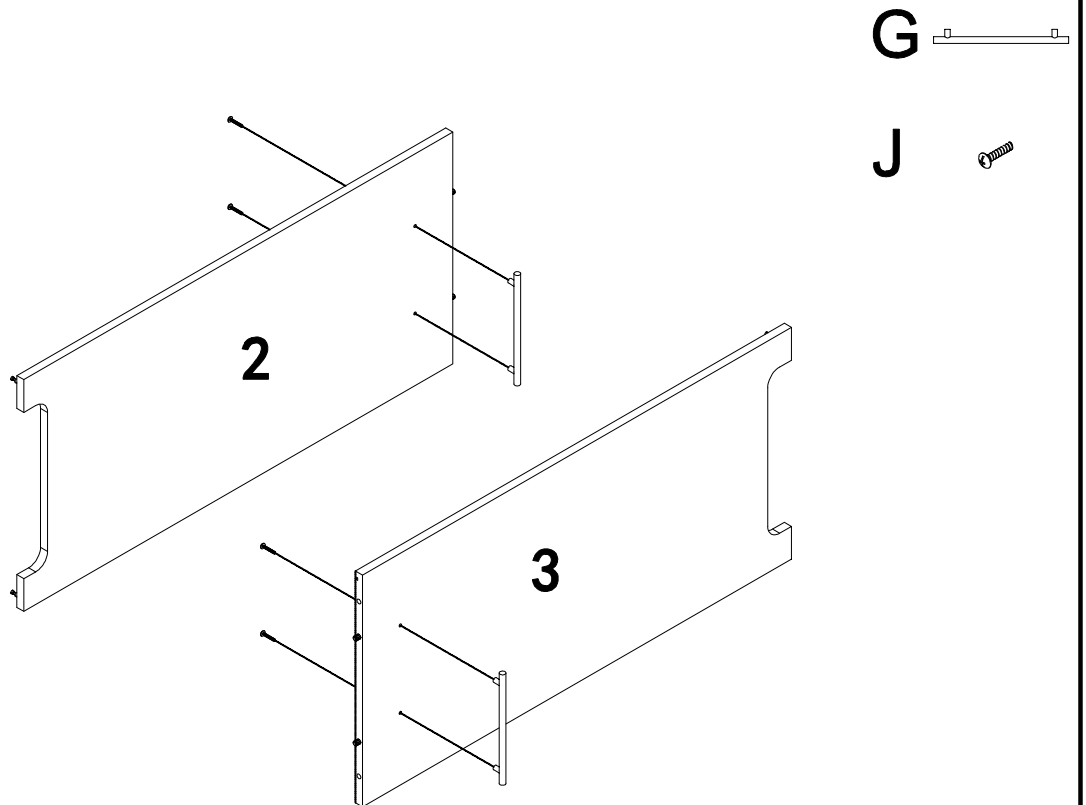
Hardware List

A		∅5*25mm	Bolt	38 pcs
B		∅15*12mm	Nut	38 pcs
C		∅8*30mm	Wood Dowel	52 pcs
D		∅3.5*12mm	Screw	28 pcs
E		14' * 35mm		1 set
F		14' * 45mm		1 set
G				2 pcs
H				2 pcs
I				1 pcs
J		∅4*19mm	Bolt	8 pcs
K				2 pcs
L		∅3.5*12mm	Screw	12 pcs
M		∅3.5*17mm	Screw	10 pcs
N				10 pcs
O		∅4*31mm		8 pcs
P		∅6*50mm		4 pcs
Q		M4		1 pcs
R			Anti-Tipping Kit	2 sets
S		∅5/32*3/4	Bolt	2 pcs

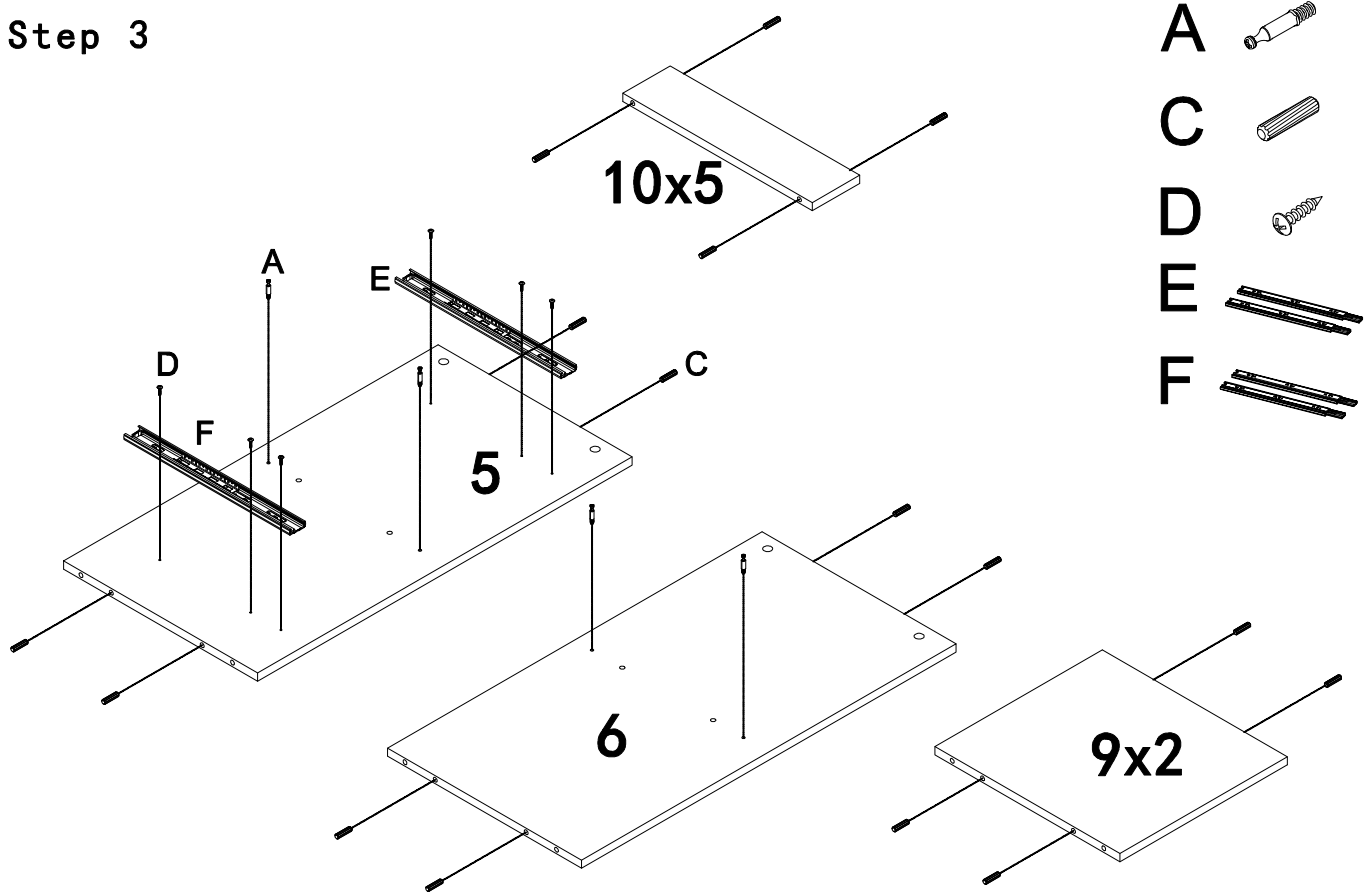
Step 1



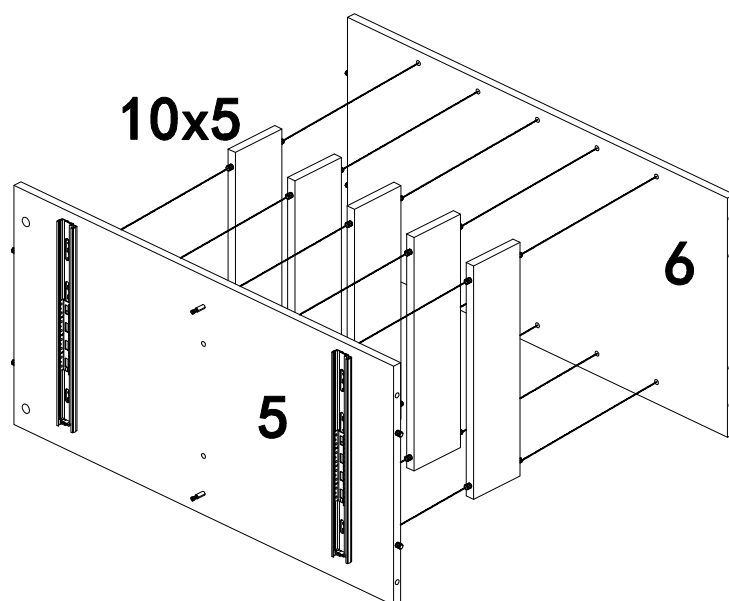
Step 2



Step 3

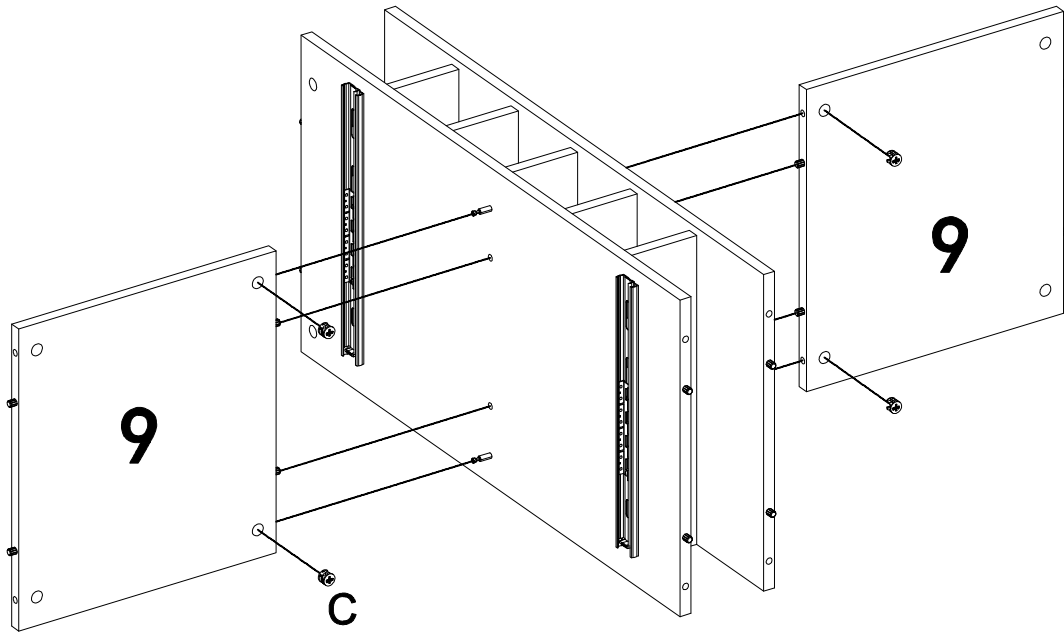


Step 4



Step 5

B

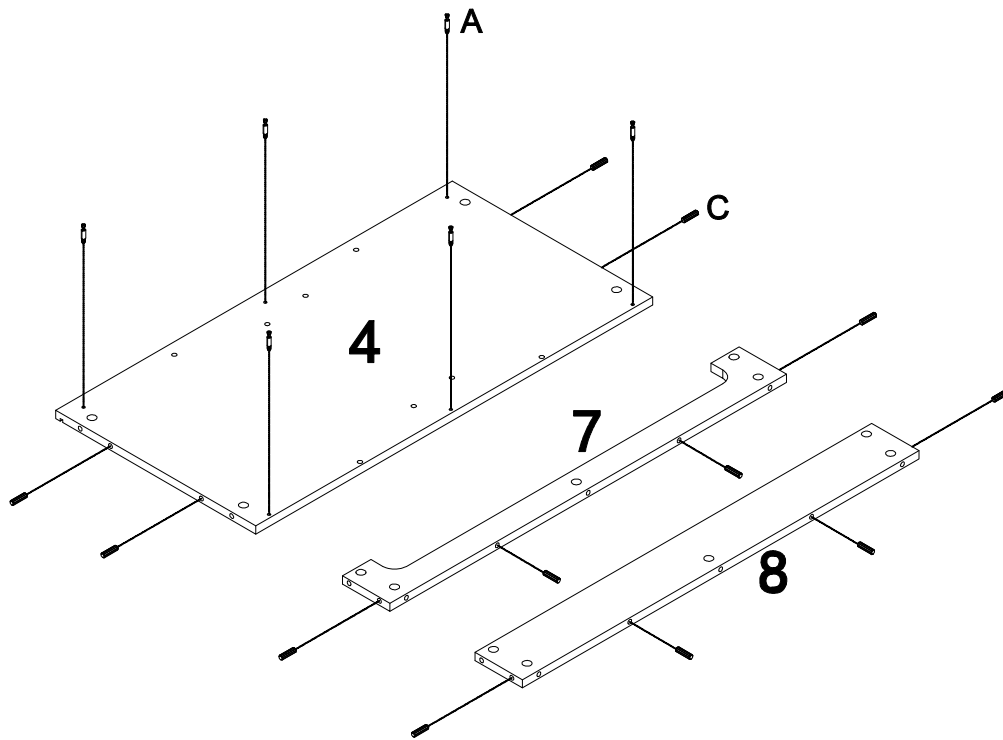


Step 6

A

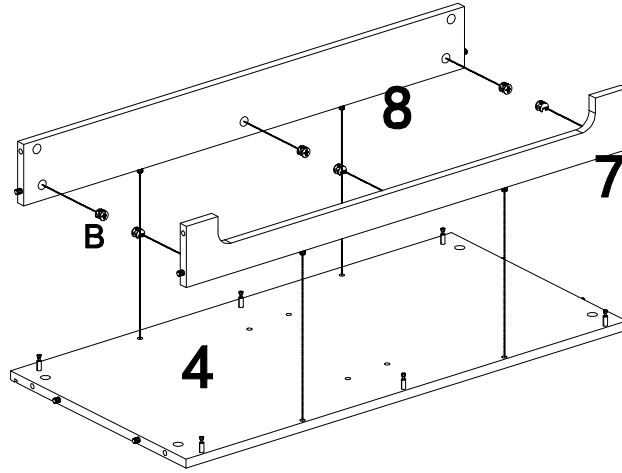


C

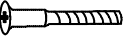


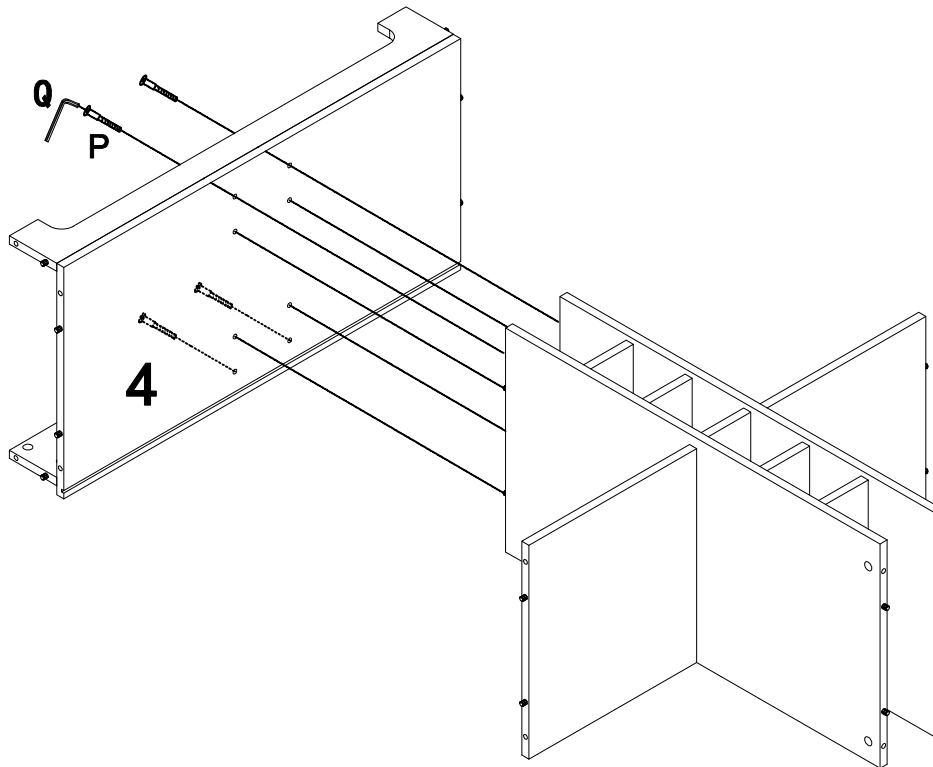
Step 7

B 



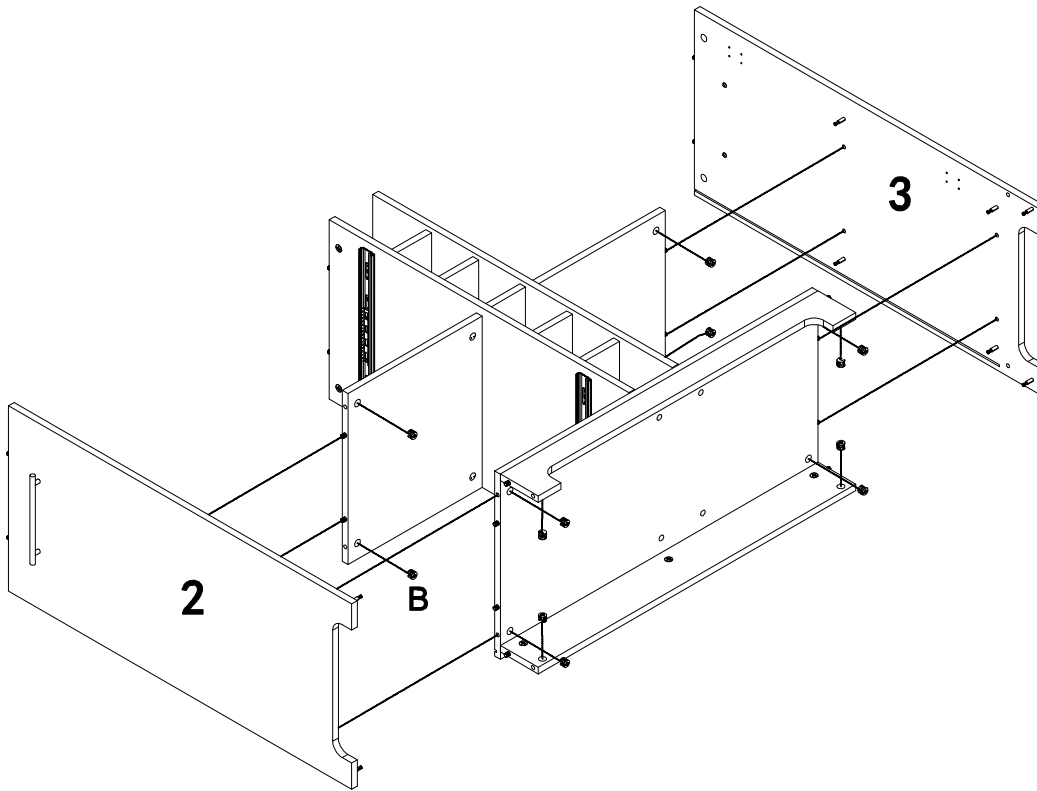
Step 8

P 

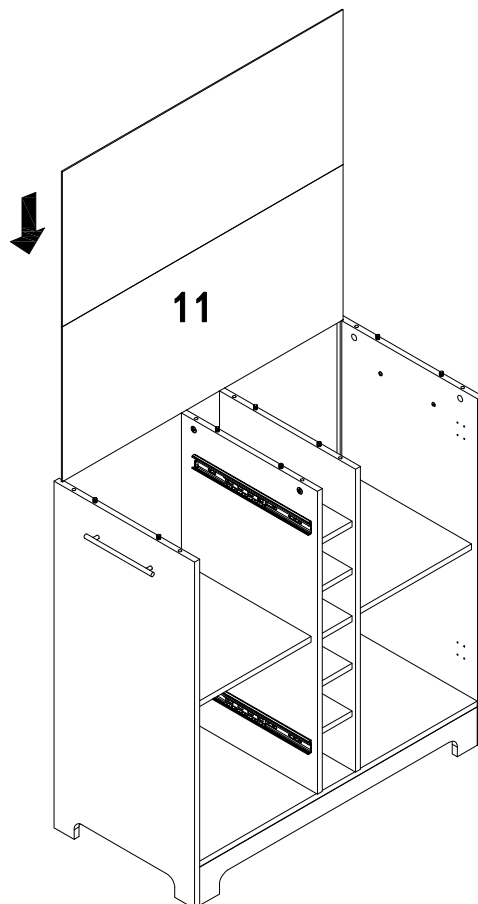


Step 9

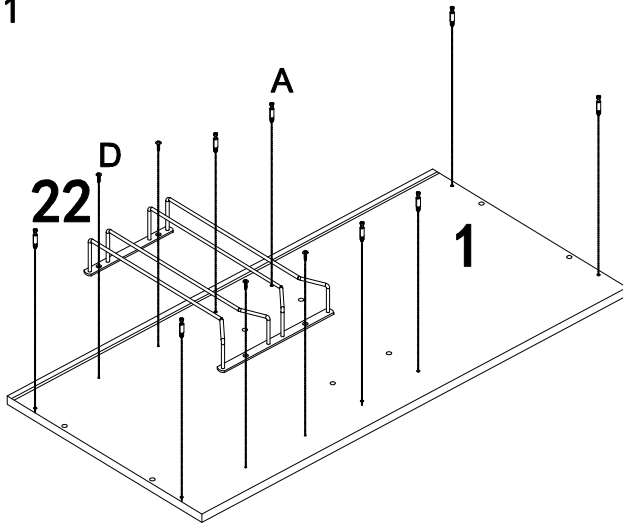
B






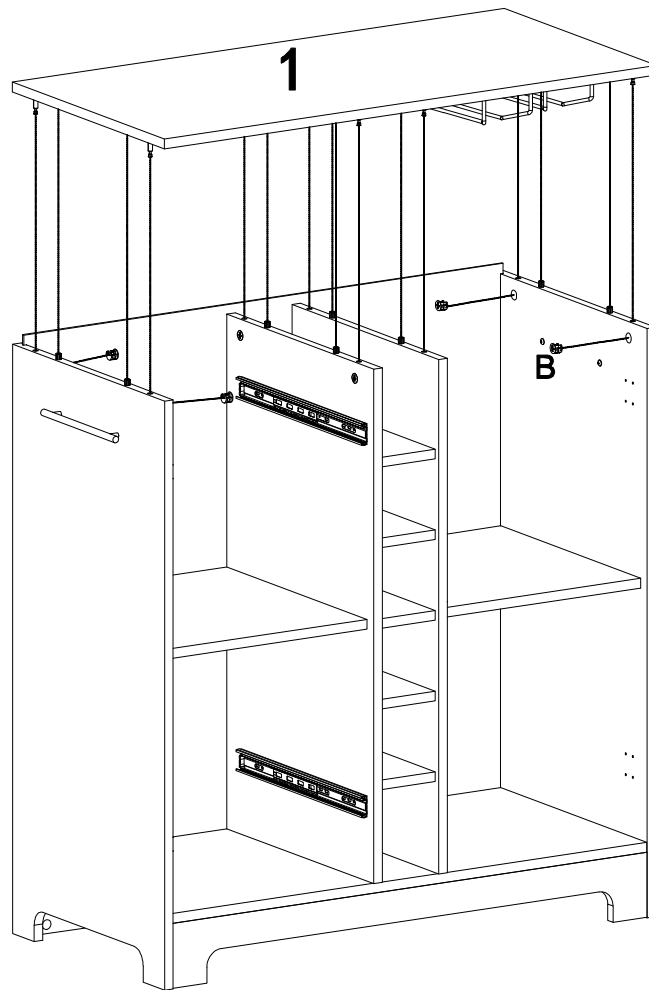
Step 10



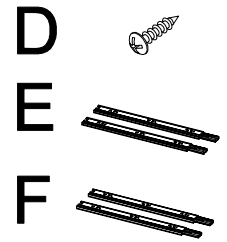
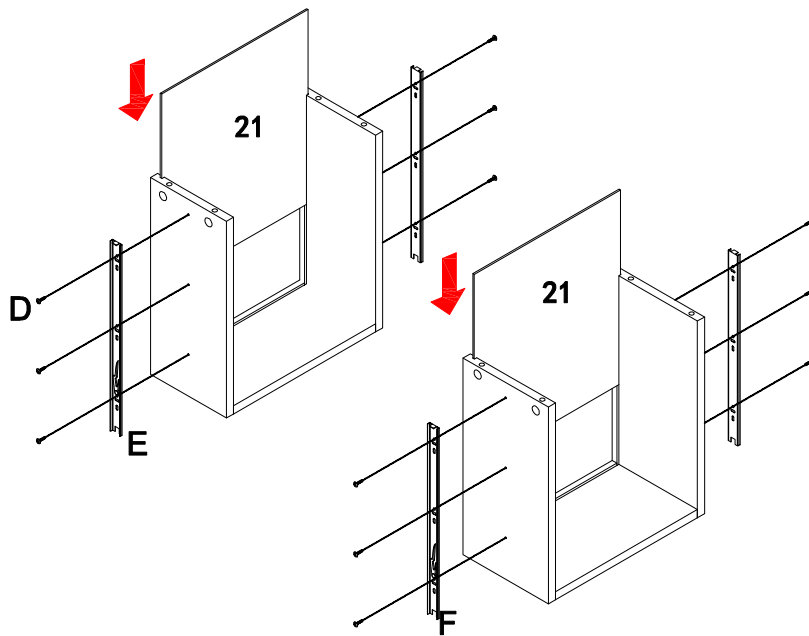
Step 11



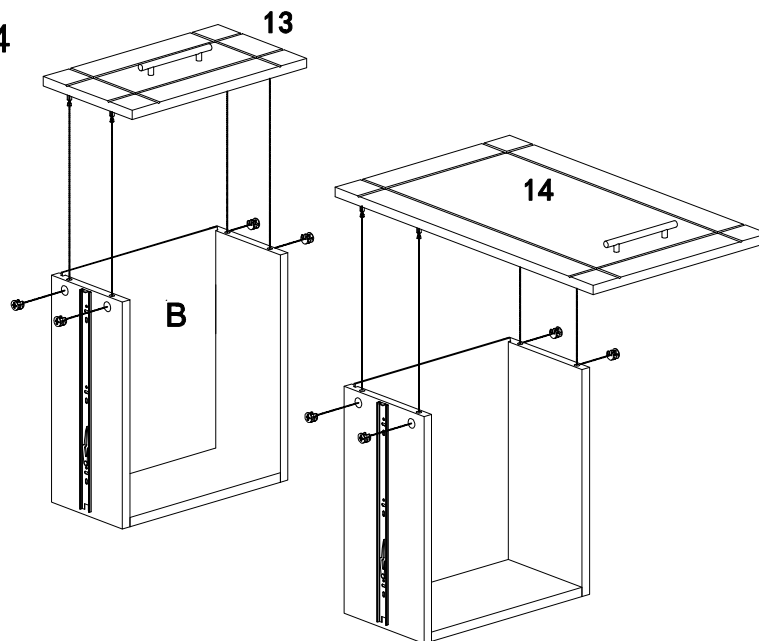
- A 
- B 
- D 



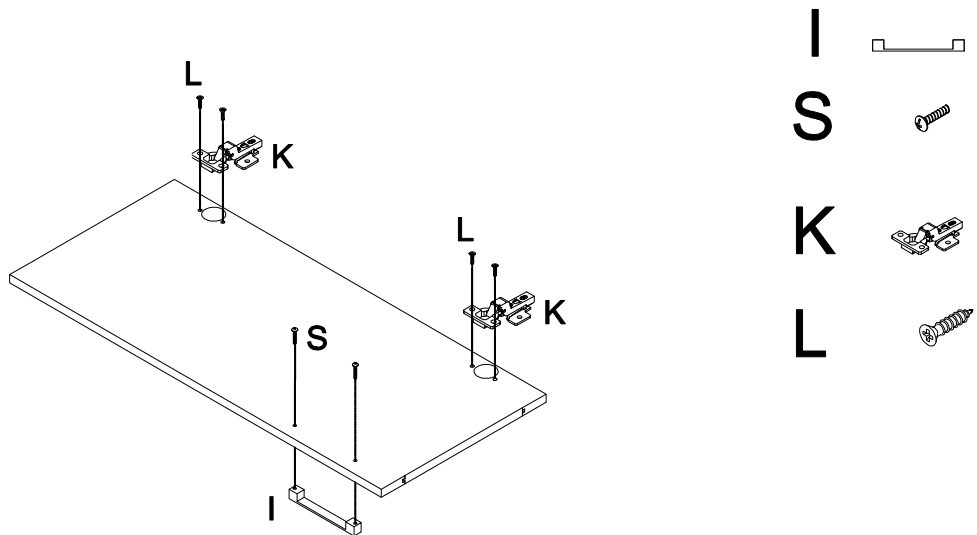
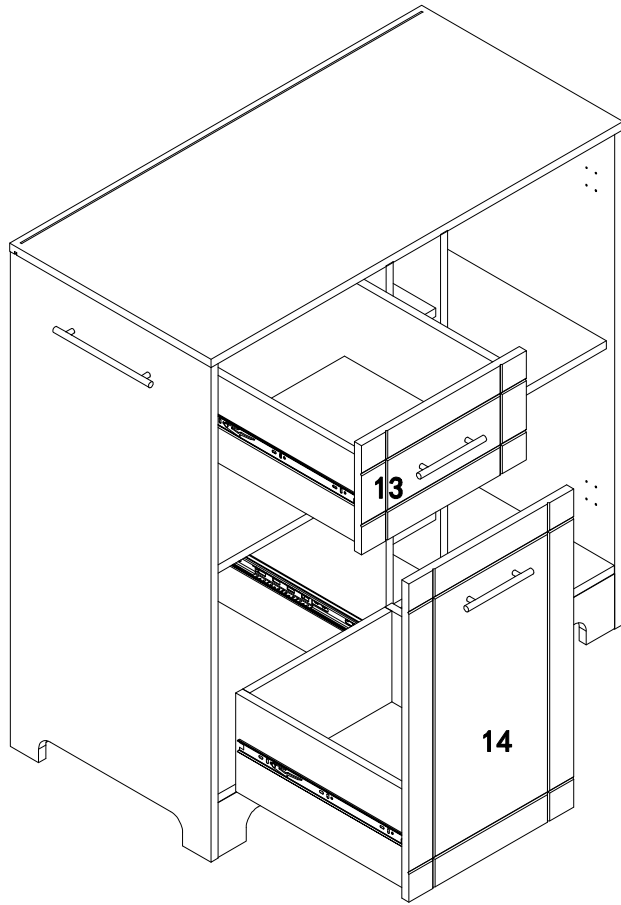
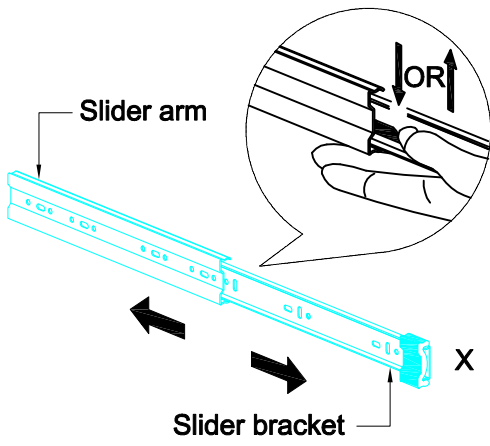
Step 13



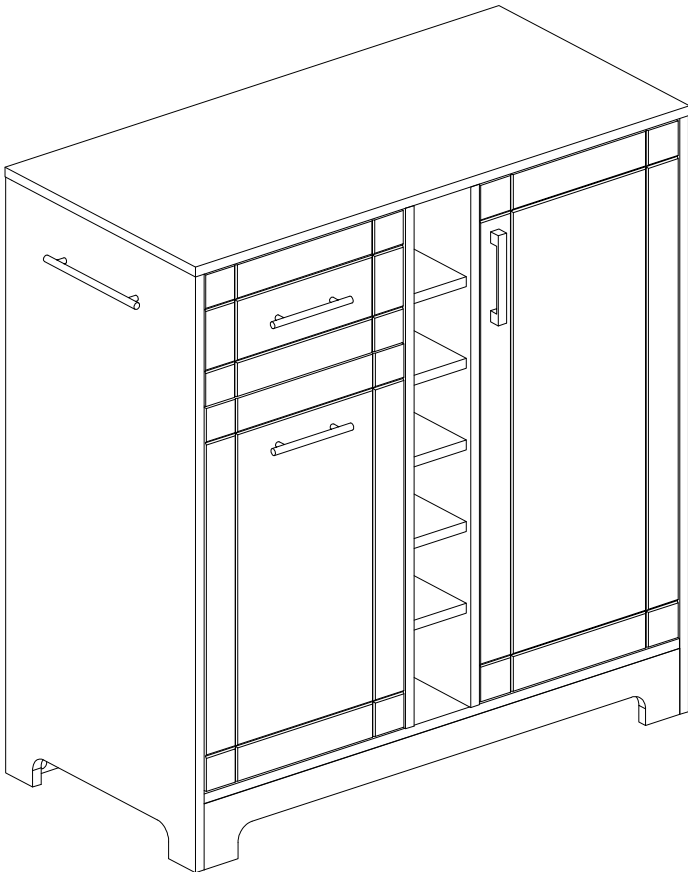
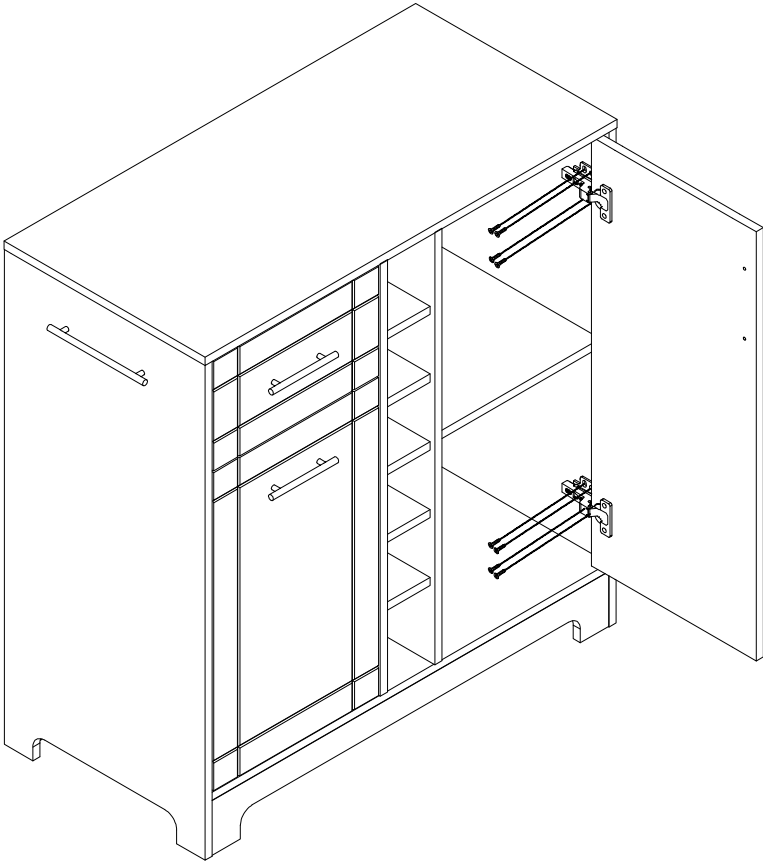
Step 14



Step 15



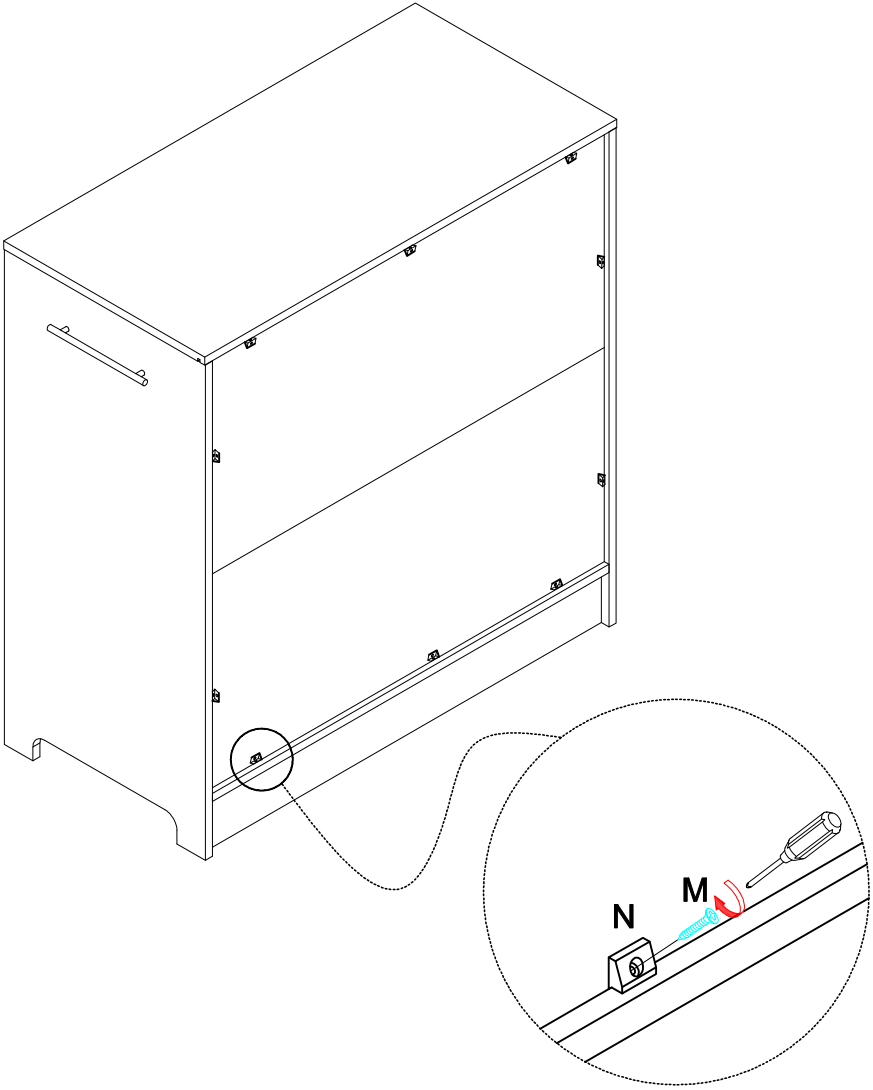
Step 16



Step 17

M 

N 



Step 18

