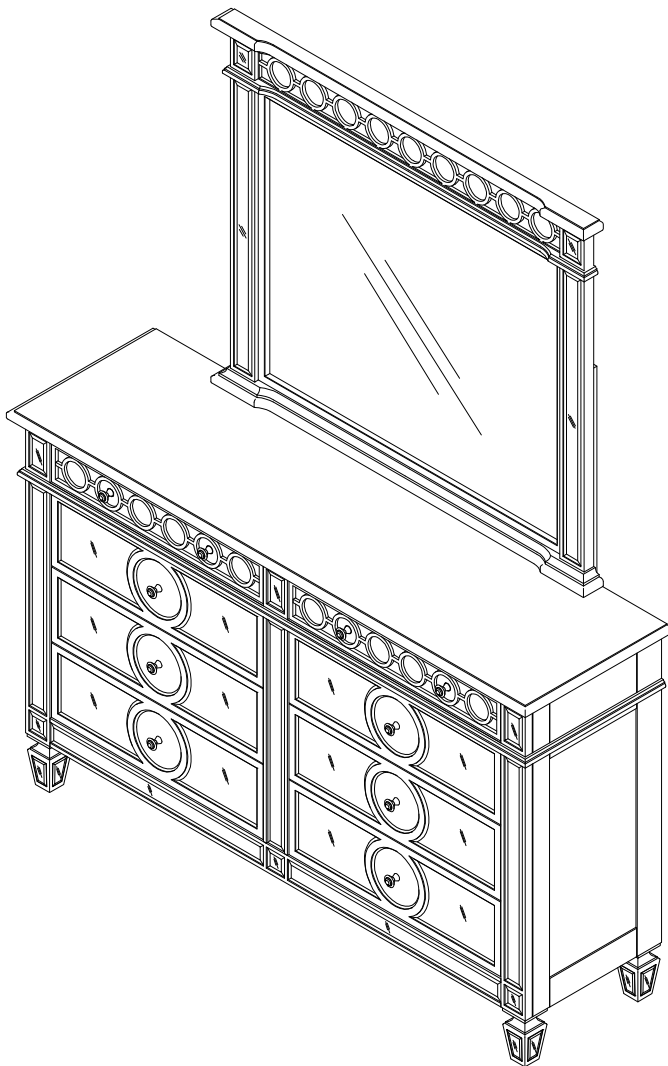


ASSEMBLY INSTRUCTIONS



TOOLS REQUIRED



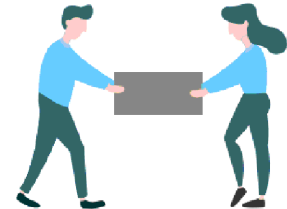
Allen Wrench

(Included)



Phillips
Screwdriver

(Not Included)



2 - People
Recommended

ASSEMBLY RATING



EASY —————> DIFFICULT

The Assembly Rating is a 5-point system showing the level of effort needed to assemble a specific product.



CHECK BEFORE STARTING

Are you missing anything?

Double-check all parts, hardware and accessories listed are all accounted for.

Check out our Quick Tips!

We recommend reviewing the pre-assembly handouts. Even experts need a refresher now and then!

Should we send any replacements?

Are there any irregularities or flaws in the parts? We can send replacements!

Prep Time!

Please review the assembly instructions and all diagrams prior to assembling.

PRE ASSEMBLY INTRODUCTION

We understand building ready-to-assemble furniture can be a challenging experience for some. To help avoid confusion, we have provided some helpful tips that may speed up the process.



Teamwork

ALWAYS have at least two people to help with transporting and assembling the product to avoid potential injury and/or damage.



Suitable Location

Assembling near the area of the intended location is highly recommended.



Sufficient Space

Make sure you have enough space to move around during the assembly.



Avoid Scratches

Use cardboard, blankets or a carpeted area while assembling furniture to prevent to prevent scratches and damages.



Flat Surface

Make sure the furniture rests on a flat and level surface with each leg evenly touching the floor.

ASSEMBLY AND CARE ADVICE



FAILURE TO FOLLOW THE GUIDELINES BELOW MAY RESULT IN INJURY AND/OR PROPERTY DAMAGE.



Position each part correctly and insert screws or bolts into their respective holes.



Turn clockwise to tighten and only tighten when step is completed or when instructed to do so.



Use the appropriate hand tools or power tools for assembly. Select steps, such as tightening screws and/or bolts, may require hand tools to avoid causing damage during assembly.



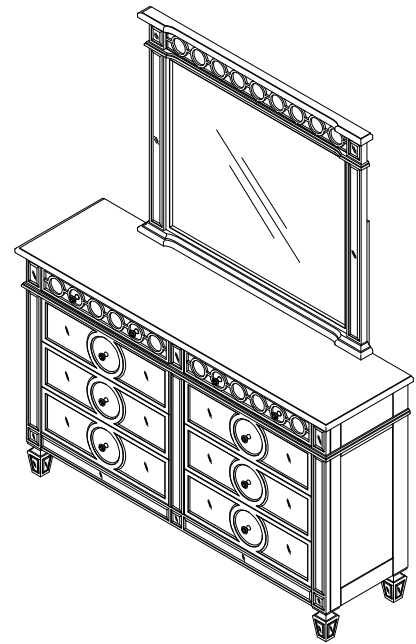
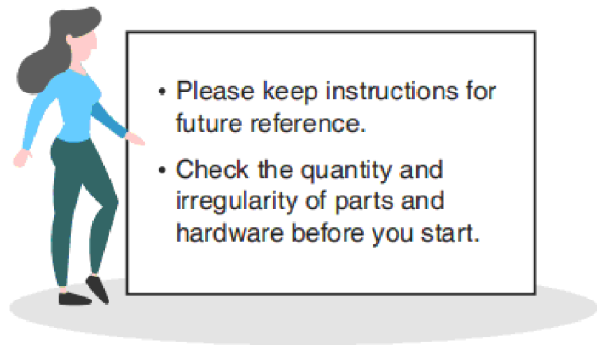
Save the instructions and store any supplied tools for later maintenance.



After two weeks, check and tighten any loose hardware and repeat again every six months thereafter.

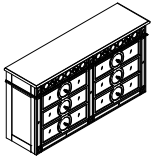
IT IS THE USER'S RESPONSIBILITY TO MAINTAIN THE FURNITURE. THE HARDWARE MAY LOOSEN OVER TIME AND MAY CAUSE THE FURNITURE TO BE WOBBLY AND UNABLE TO SUPPORT ITS INTENDED WEIGHT CAPACITY. THIS MAY LEAD TO COLLAPSE AND MAY CAUSE SERIOUS INJURY.

DRESSER & MIRROR



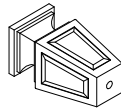
PARTS

#1 1pc



Dresser

#2 4pcs



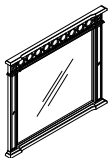
Leg

#3 1pc



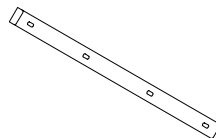
Support Leg
136x30x30mm

#4 1pc



Mirror

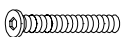
#5 2pcs



Mirror Support Rail

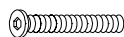
HARDWARE

#A 4pcs



Bolt Ø5/16"x4-3/4"

#B 8pcs



Bolt Ø1/4"x1-3/8"

#C 8pcs



Lock washer Ø1/4"

#D 8pcs



Flat washer Ø1/4"

#E 1pc



Allen wrench (M4)

#F 4pcs



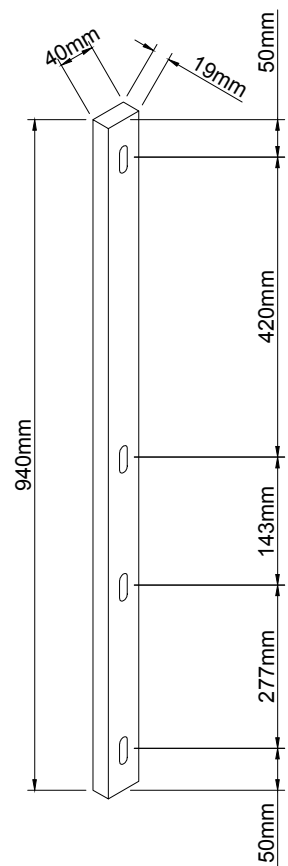
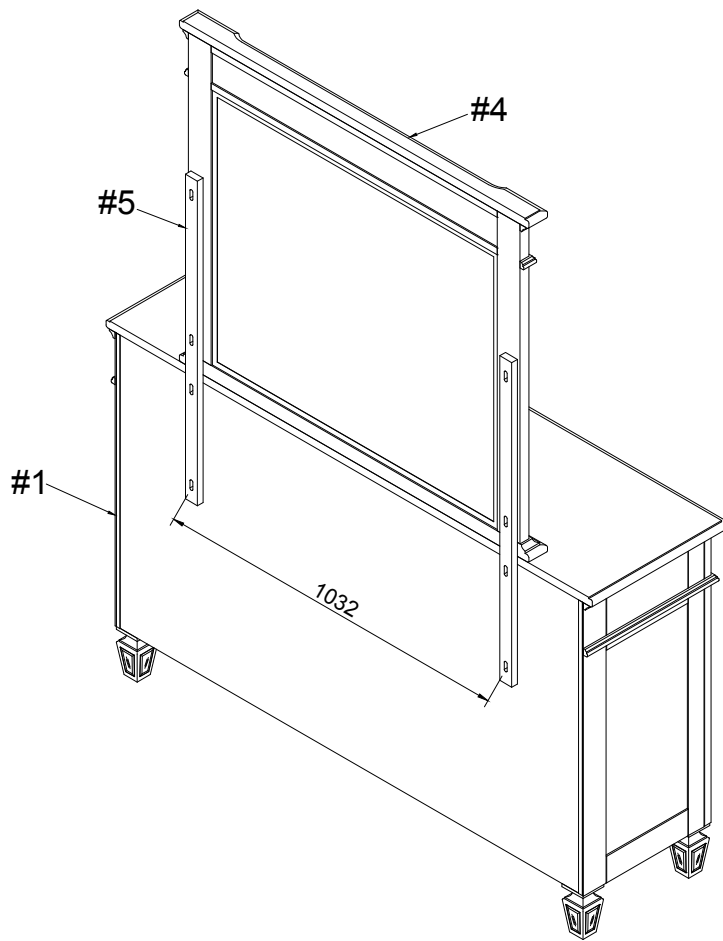
Plastic Button

#G 1set

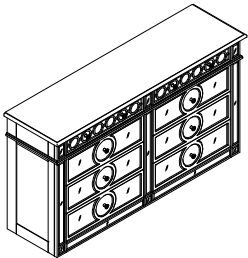
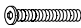


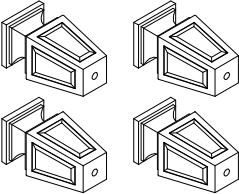
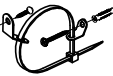
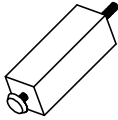
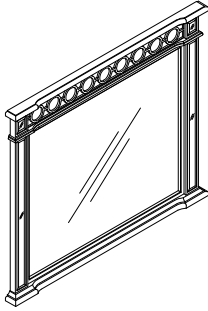
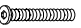



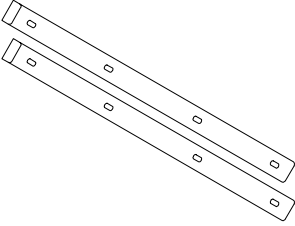


Anti Tip Kit

Exploded View



2 cases

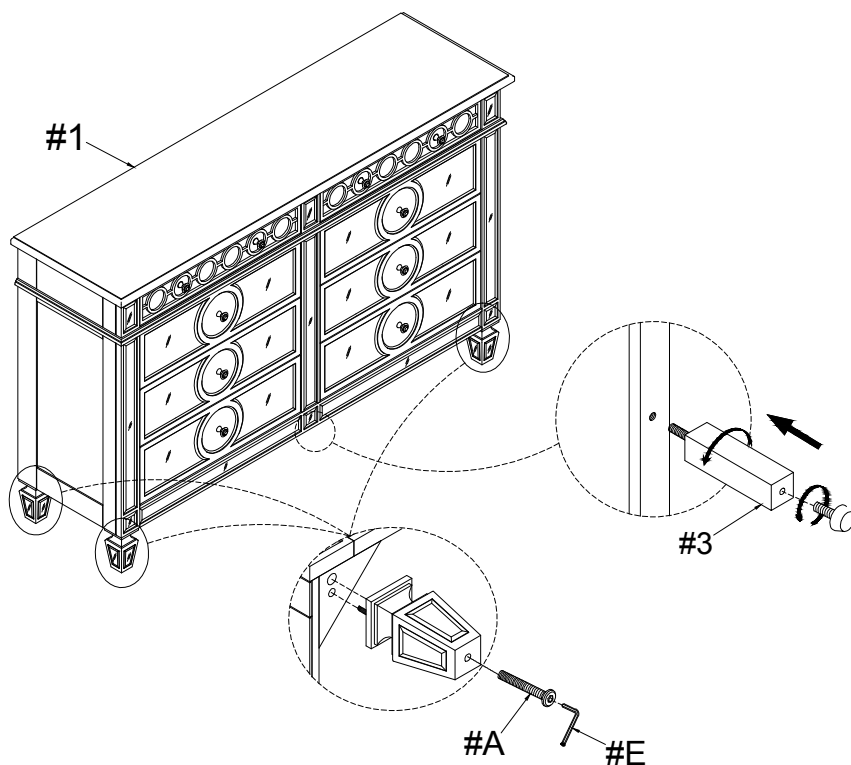
Disignation	Part		Hardware
Dresser	#1		 #A x 4pcs  #E x 1pc  #F x 4pcs
Leg	#2		 #G x 1set
Support Leg	#3		
Mirror	#4		 #B x 8pcs  #C x 8pcs  #D x 8pcs  #E x 1pc
Mirror support rail	#5		

ASSEMBLY INSTRUCTIONS

Align Legs (#2) to the dresser (#1) and secure using Bolts (#A). Attach support leg at the center.

1

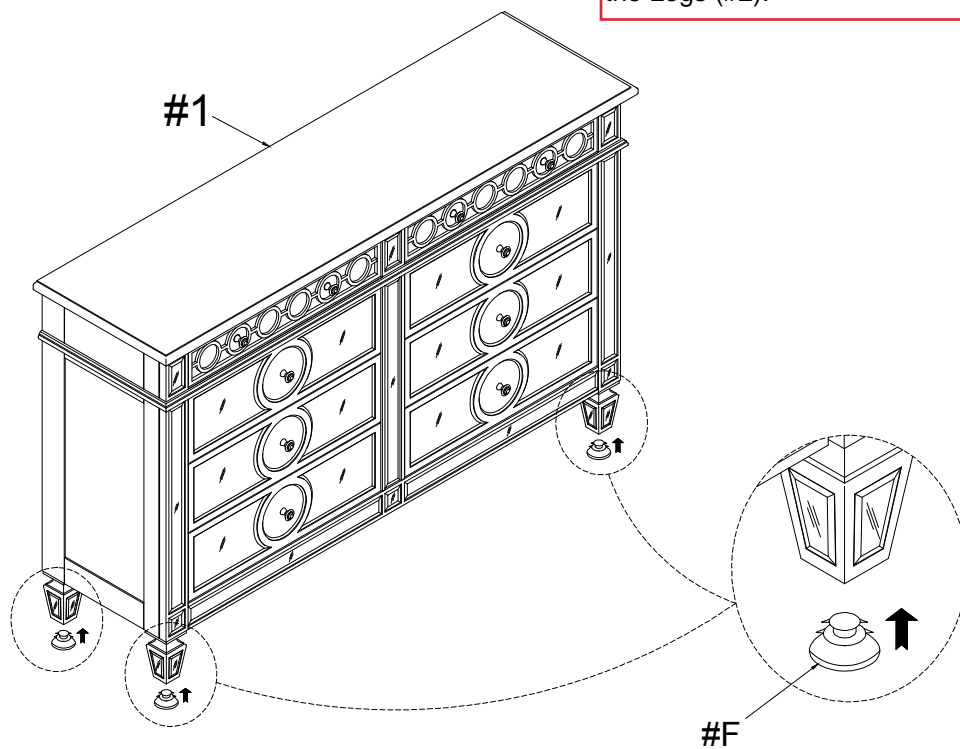
- Part #1 x1pc
- Part #2 x4pcs
- Part #3 x1pc
- Hardware #A x4pcs



2

- Hardware #F x4pcs

Insert Plastic button (#F) onto the Legs (#2).



ASSEMBLY INSTRUCTIONS

3

Part #4 x1pc

Part #5 x2pcs

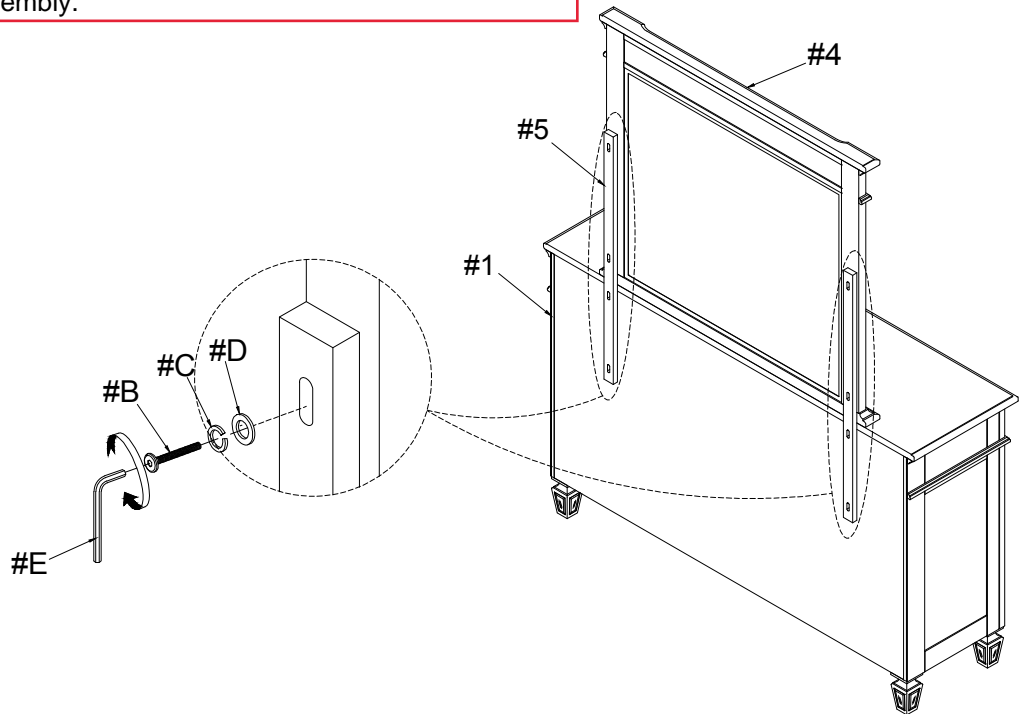
Hardware #B x8pcs

Hardware #C x8pcs

Hardware #D x8pcs

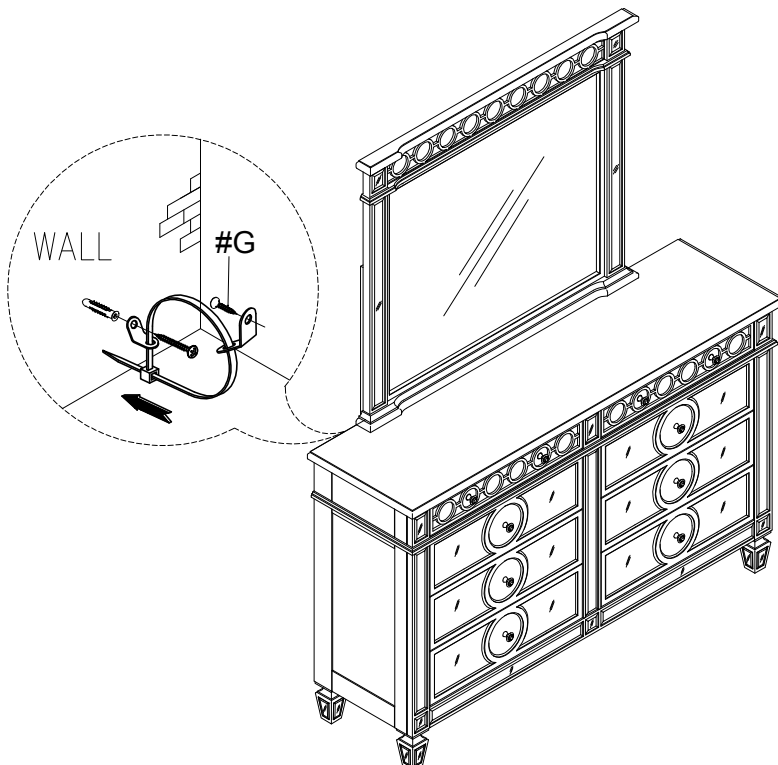
Hardware #E x1pc

Attach the mirror support rails (#5) to the mirror (#4) by using Bolt (#B) with washer (#C,D). Then align the bottom of the support rails (#5) to the dresser (#1) and secure using the same bolt and washer assembly.



4

Hardware #G x1set



ASSEMBLY COMPLETED



Please ensure the furniture rests on an even and flat surface. If the product wobbles or feels loose, double-check all bolts and/or screws are properly tightened and secured.



Keep this handy!

Please retain this instruction manual and any order-related information for future reference.



Lift, don't drag!

To avoid damage to product please always LIFT the product when transporting or adjusting the placement.

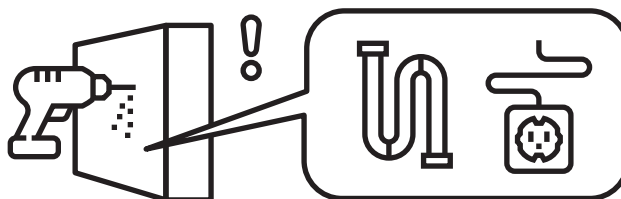
ASSEMBLY INSTRUCTIONS

Wall Mounting and Fixing



EXPANSION WALL ANCHOR

Our provided expansion wall anchors are only suitable for masonry walls, such as drywall, plaster or concrete, and are best for holding lightweight items or for anti-tip prevention. If you are unsure of the correct wall anchor to use with the product, please request professional guidance. Liability for product damage or failure due to using the incorrect anchors will fall on the installer.

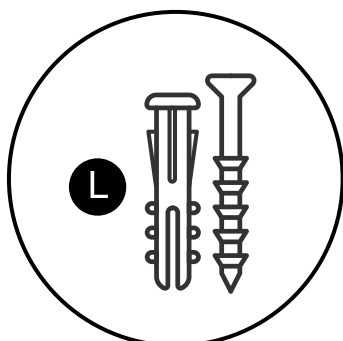


CHECK BEFORE PROCEEDING

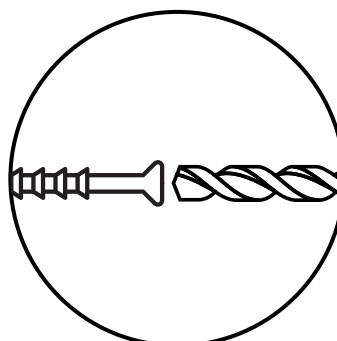
Prior to drilling or hammering, please check for wires or pipes. We recommend using a stud finder to locate a stud, which will offer more appropriate resistance and hold more weight.

QUICK TIPS

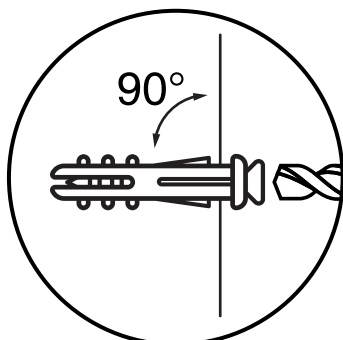
1. If unsure of the proper size, always choose a larger screw and wall anchor.



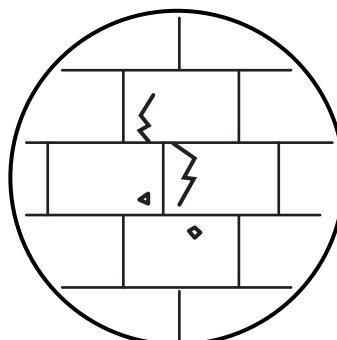
2. Match the drill bit to the wall anchor and hole size.



3. Only drill horizontally. Do not force the drill or enlarge the hole for the wall anchor.



4. Take extra care when drilling into high walls or ceramic tiles. Wall anchors should be a tight fit for the hole. Never use wall anchors in ceilings.



MAINTENANCE



We recommend a yearly check to see if the wall anchor or screw has loosened. If so, please remove the existing wall anchor and screw, and use a new anchor.