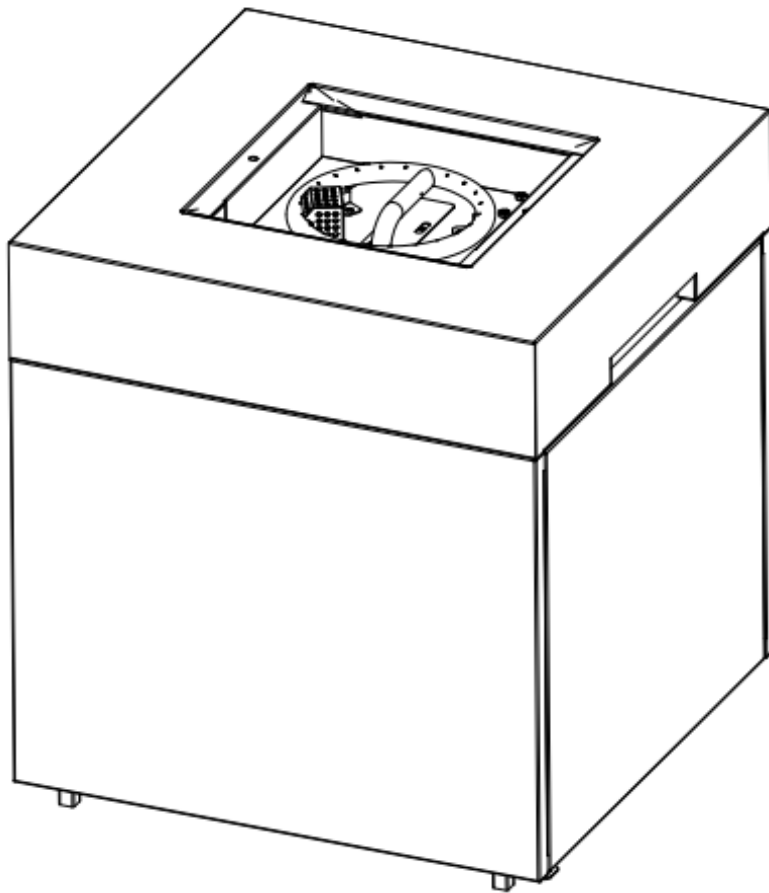


USE AND CARE GUIDE

FIRE PIT



In case of questions, problems or missing parts, please contact us before returning to the store.
The after-sales team will give you a reply within 24 hours

If the information in this manual is not followed exactly, a fire or explosion may result causing property damage, personal injury, or loss of life .

TABLE OF CONTENT

TABLE OF CONTENT

Safety Information	2
Pre-Assembly.....	5
Assembly Process-Fire Pit.....	6
Operating instruction	11
Care and Cleaning	14
Troubleshooting	15

IMPORTANT SAFETY INSTRUCTIONS

SAVE THESE INSTRUCTIONS



WARNING: FUELS USED IN LIQUEFIED PROPANE GAS APPLIANCES, AND THE PRODUCTS OF COMBUSTION OF SUCH FUELS, CAN EXPOSE YOU TO CHEMICALS INCLUDING BENZENE, CARBON MONOXIDE, LEAD, CHROMIUM (HEXAVALENT COMPOUNDS), DI(2-ETHYLHEXYL) PHTHALATE (DEHP) AND DIISONONYL PHTHALATE (DINP), WHICH ARE KNOWN TO THE STATE OF CALIFORNIA TO CAUSE CANCER AND CAUSE BIRTH DEFECTS OR OTHER REPRODUCTIVE HARM.



WARNING: READ ALL INSTRUCTIONS BEFORE USE

To reduce the risk of injury to persons:

- Close supervision is necessary when these furnishings are used by or near children or disable persons, if applicable.
- Use these furnishings only for their intended use as described in these instructions. Do not use attachments not recommended by the manufacturer.
- Do not move the chairs or sofa while they are occupied. Failure to obey this caution could result injury.
- For outdoor use only.
- Improper installation, adjustment, alteration, service or maintenance can cause injury or property damage.
- Read all installation, operation, and maintenance instructions thoroughly before installing or servicing this equipment.
- Failure to follow these instructions could result in faulty assembly leading to fire or explosion, which could cause property damage and/or potential injury.



DANGER: indicates a hazardous situation which, if not avoided, will result in death or serious injury.



WARNING: indicates a hazardous situation which, if not avoided, could result in death or serious injury.



CAUTION: indicates a hazardous situation which, if not avoided, could result in minor or moderate injury.



IMPORTANT: means the instruction should be carefully followed for correct assembly or use.



NOTE: indicates a situation which, if not avoided, could result in damage to the product or another item.



IMPORTANT: IMPORTANT SAFETY INFORMATION

This appliance has been tested to and complies with the ANSI Z21.97-2017, Outdoor Decorative Gas Appliances CGA CR 97-003 Outdoor Gas Fireplaces. The installation must conform to local codes or in the absence of local codes to the National Fuel Gas Code ANSLZ223.1. This manual contains important information about the assembly, operation and maintenance of this fire pit. General safety information is presented in these first few pages and is also located throughout the manual. Keep this manual for future reference and to educate new users of this product. This manual should be read in conjunction with the labeling on the product. Safety precautions are essential when any mechanical or propane fueled equipment is involved. These precautions are necessary when using, storing, and servicing. Using the equipment with the respect and caution demanded will reduce the possibilities of personal injury or property damage. The symbols shown at right are used extensively throughout this manual. Always heed these precautions, as they are essential when using any mechanical or propane fueled equipment.



WARNING

- Do not stand or allow children to stand on the assembled chairs, table or fuel tank housing.
- The tank housing is not for use as a seat. Max. weight capacity: 55 lb.
- After assembly, verify that all hardware connections are secure before putting the product into use.



CAUTION

- Installer: leave this manual with the appliance.
- Consumer: retain this manual for future reference.

Safety Information (continued)



IMPORTANT

CODE AND SUPPLY REQUIREMENTS:

This outdoor fire pit must be installed in accordance with local codes and ordinances, or, in the absence of local codes, with the latest *National Fuel Gas Code, ANSI Z233.1/NFPA54, NFPA58 Natural Gas and Propane Installation Code, CSA B149.1, or Propane Storage and Handling Code, B149.2.*



FIRE OR EXPLOSION

FOR YOUR SAFETY: If you smell gas:

- Shut off gas to the appliance.
- Extinguish any open flame.

If odor continues, leave the area immediately. Keep away from the appliance and immediately call the gas supplier or fire department.

Failure to follow these instructions could result in fire or explosion, which could cause property damage, personal injury, or death.



DANGER

Failure to comply with the precautions and instructions provided with this product can result in death, serious bodily injury and property loss or damage from hazards of fire, explosion, burn, asphyxiation, and/or carbon monoxide poisoning. Only persons who can understand and follow the instruction should use or service this product.



WARNING

Do not store or use gasoline or other flammable vapors and liquids in connected for use shall not be stored in the vicinity of this or any other the vicinity of this or any other appliance. An LP cylinder not appliance.



IMPORTANT:

This fire pit requires a minimum 18 inches of cross-ventilation in all directions. Failure to provide proper ventilation can void the warranty.



WARNING: FOR YOUR SAFETY

If the information in this manual is not followed exactly, a fire or explosion may result causing property damage, personal injury or loss of life.

Improper installation, adjustment, alteration, service or maintenance can cause property damage, injury or death. Read the installation, operation and maintenance instructions thoroughly before installing or servicing this equipment. Do not try to light this appliance without reading "LIGHTING INSTRUCTIONS" in the operation section of this manual. Prior to use, check for damaged parts such as hoses, regulators, pilots, or burners.

Inspect the fuel supply connection for signs of leakage before each use of the appliance.



WARNING

Installation and service must be performed by an NFI Certified or other qualified professional installer, service agency, or the gas supplier.



DANGER

EXPLOSION-FIRE HAZARD

- Keep solid combustibles, such as building materials, paper or cardboard a safe distance away from the fire pit as recommended by the instructions.
- Provide adequate clearances around air openings into the combustion chamber.
- Never use the fire pit in spaces which do or may contain volatile or airborne combustibles, or products such as gasoline, solvents, paint thinner, dust particles, or unknown chemicals.
- During operation, this appliance is red hot and can be a source of ignition. Keep fire pit area clear and free from flammable /combustible materials, gasoline, paint thinner, cleaning solvents and other flammable vapors and liquids. Do not use fire pit in areas with high dust content. Minimum fire pit clearances from combustible materials: 4ft(48 in.) from all sides and 6 ft(72 in.) from ceiling.
- Never store propane near high heat, open flames, pilot lights, direct sunlight, other ignition sources, or where temperatures exceed 120°F(49°C).
- Propane vapors are heavier than air and can accumulate in low places. If you smell gas, leave the area immediately.
- Never install or remove a propane cylinder while the fire pit is lighted, or near flame, pilot lights, or other ignition sources or while the fire pit is hot to the touch.
- Store the propane cylinder outdoors in a well ventilated space out of the reach of children. Never store the propane cylinder in an enclosed area (house, garage, etc.). If fire pit is to be stored indoors, disconnect the propane cylinder for outdoor storage.



WARNING

- This fire pit is fueled by propane gas. Propane gas is invisible, odorless, and flammable. An odorant is normally added to help detect leaks and can be described as having a "rotten egg" smell. The odorant can fade over time so leaking gas is not always detectable by smell alone.
- Propane gas is heavier than air and leaking propane will sink to the lowest level possible. It can ignite by ignition sources including matches, lighters, sparks, or open flames of any kind many feet away from the original leak. Use only propane gas set up for vapor withdrawal. Store or use propane gas in compliance with local ordinances and codes or with ANSI/NFPA 58.
- Turn off propane when not in use.



WARNING

Solid fuels shall not be burned in this appliance.



WARNING

We cannot foresee every use which may be made of this fire pit. Check with your local fire safety authority if you have questions about fire pit use. Other standards govern the use of fuel gases and heat producing products for specific uses. Your local authorities can advise you about these. If no local codes exist, follow National Fuel Gas Code, ANSI Z223.1. In Canada, installation must conform to local codes. If no local codes exist, follow the current National standards of CANADA CAN/CGA-B149.2.



DANGER: CARBON MONOXIDE HAZARD

- This fire pit is a combustion appliance. All combustion appliances produce carbon monoxide (CO) during the combustion process. This product is designed to produce extremely minute, non-hazardous amounts of CO if used and maintained in accordance with all warnings and instructions. Do not block air flow into or out of the fire pit.
- Carbon monoxide (CO) poisoning produces flu-like symptoms, watery eyes, headaches, dizziness, fatigue and possibly death. You can't see carbon monoxide and you can't smell it. It's an invisible killer. If these symptoms are present during operation of this product get fresh air immediately!
- For outdoor use only. Using this fire pit in an enclosed space can kill you. Never use this fire pit in an enclosed space such as a camper, tent, home, or other unventilated or enclosed area.
- This fire pit consumes air (oxygen). Do not use in unventilated or enclosed areas to avoid endangering your life:



WARNING

- Children and adults should be alerted to the hazards of high surface temperatures and should stay away from the appliance to avoid burns or clothing ignition.
- Young children should be carefully supervised when they are in the area of the fire pit.
- Clothing or other flammable material should not be hung from the fire pit or placed on or near the fire pit.
- This appliance comes with a heat shield which is an important safety component preventing contact with the fire bowl when adjusting the propane valve.
- Any guard, shield, or other protective device removed for servicing the fire pit must be replaced prior to operating the unit.



WARNING: FOR YOUR SAFETY

- Surfaces of fire pit can remain extremely hot for a period after use. Allow 45 minutes to cool down before touching or moving the fire pit.



IMPORTANT

- You must provide propane gas and a propane cylinder. Use a standard 201b propane cylinder only.
- Use this fire pit only with a propane withdrawal supply system. See Chapter 5 of the Standard for Storage and Handling of Liquefied Petroleum Gas, ANSI/NFPA 58. Your local library or fire department should have this book.
- The pressure regulator and hose assembly supplied with the appliance must be used.
- The installation must conform with local codes, or in absence of local codes, with National Fuel Gas Code, ANSI Z223.1.
- A dented, rusted, or damaged propane cylinder may be hazardous and should be checked by your cylinder supplier.
- Never use a propane cylinder with a damaged valve connection. The LP gas supply cylinder must be constructed and marked in accordance with the U.S. Department of Transportation (D.O.T.) Specifications for LP-Gas Cylinders, or the standard for Cylinders, Spheres and Tubes for Transportation of Dangerous Goods, CAN/CSA-B339, as applicable.
- The LP gas supply cylinder must be provided with a cylinder connection device compatible with the connection for the appliance.
- The cylinder used must include a collar to protect the cylinder valve.
- The LP gas supply cylinder must be provided with a listed over fill protection device (OPD).
- Do not store a spare LP gas cylinder under or near this appliance.
- Never fill the cylinder beyond 80% full.
- Place the dust cap on the cylinder valve outlet whenever the cylinder is not in use.
- Note: Gas supply pressure: 25 PSI to 250 PSI.



CAUTION

- DO NOT OBSTRUCT the combustion process or air ventilation flow.
- Keep the ventilation opening(s) of the cylinder enclosure free and clear from debris.
- Keep the appliance area clear and free from combustible materials, gasoline, and other flammable vapors and liquids.
- Installation and repair should be done by a qualified service person. The fire pit should be inspected before each use and at least annually by a qualified service person.
- More frequent cleaning and maintenance may be required as necessary. It is imperative that the control compartment, burners, and circulating air passageways of the fire pit be kept clean.

NOTICE:

- Never use a power tool to assemble or adjust hardware connections. Over tightening hardware can strip the threads.

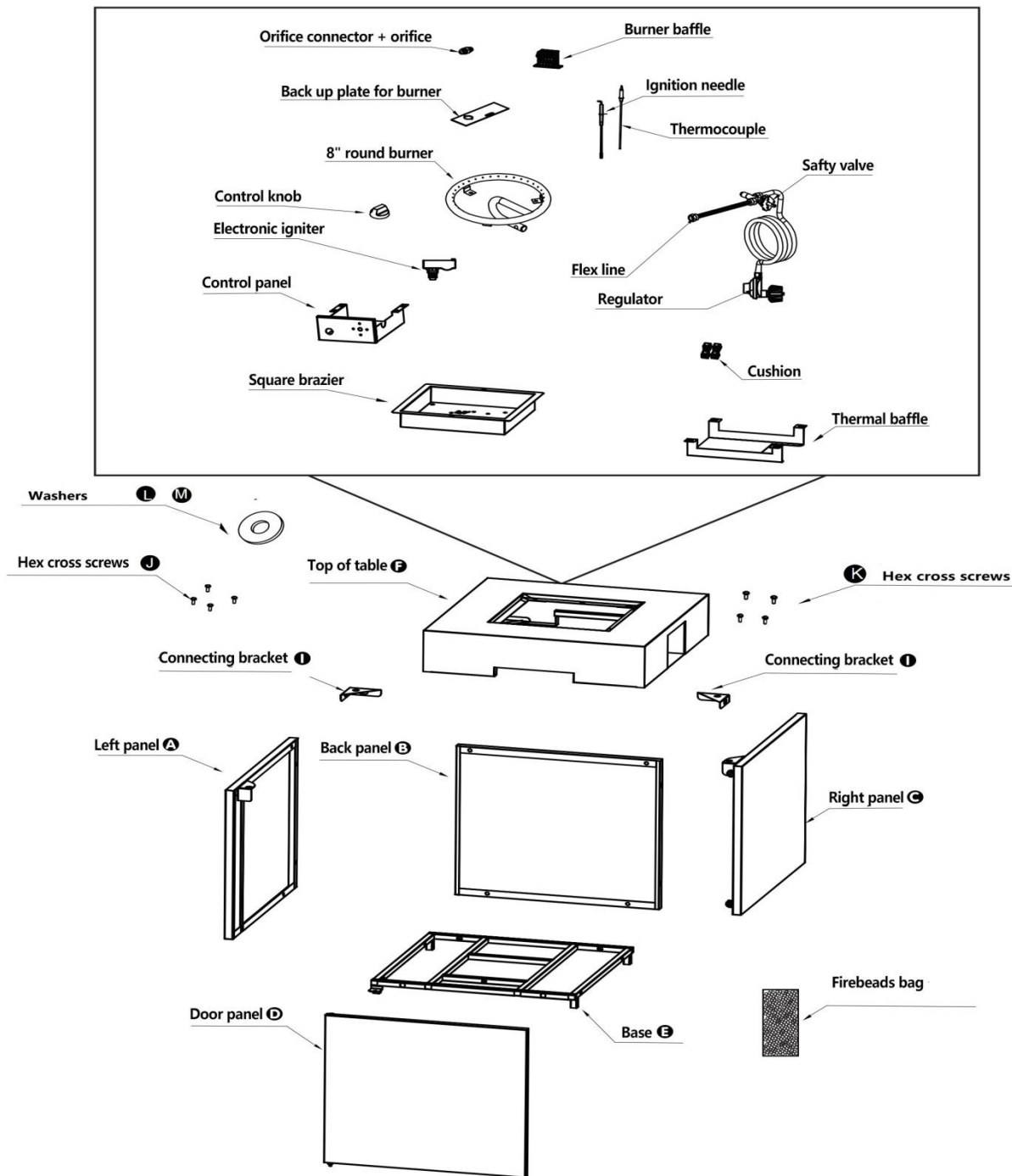
PRE -ASSEMBLY - FIRE PIT TABLE

Before beginning assembly, be sure to empty contents of carton and make sure all parts are present. **If any parts are missing or any questions about damaged , please contact us in time, our after sales team will reply you in 24 hours.**

NOTE: It is best to use two PEOPLE for the assembly of this gas fire pit table.




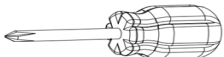

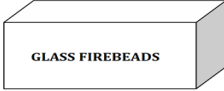

****NOTE:** Place all parts on a soft , nonabrasive, level surface for assembly, Do not over-tighten hardware connections.

PACKAGE CONTENTS



ASSEMBLY PROCESS-FIRE PIT TABLE

PART LIST

Part	Part Photo	Qty(Pcs)	Part	Part Photo	Qty(Pcs)
I		2	M		8
J		6	N		1
K		12	O		1
L		10			

FIRE PIT INSTALLATION STEPS

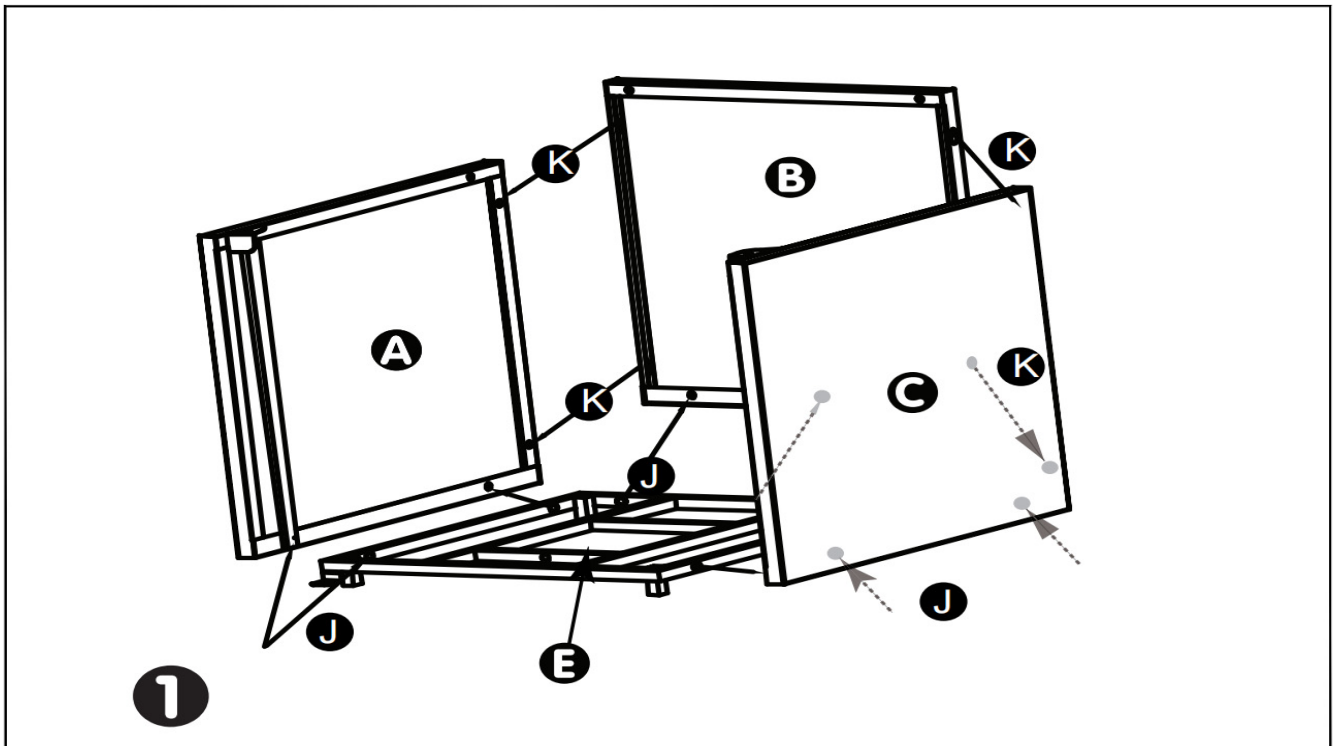
STEP 1:

Attach Rear Panel **B** to Side Panels **A** and **C** with cross groove screws **K*** 4+washer **L***4

Attach Panels to base **E** using cross groove screws **J***6+washer **L***6

****ABC** panel with 1/4 * 12 screws & 6.5 * 16 * 1.0 flat washer 4pcs

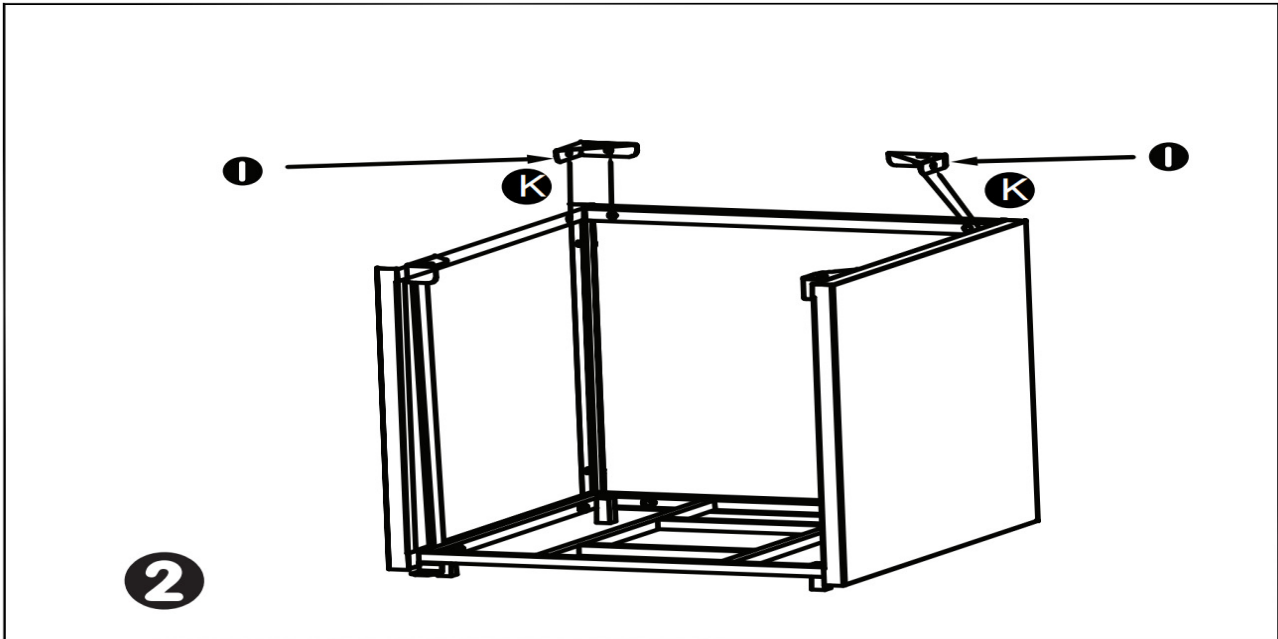
E panel with 1/4 * 35 screws & 6.5 * 16 * 1.0 flat washer 6pcs



STEP 2:

Attach two corner brackets **I** to the left and right corners using cross groove screw **K*4** + washer **M*4**

****I** panel with 1/4 * 12 screws & 24*2 flat washer 4pcs

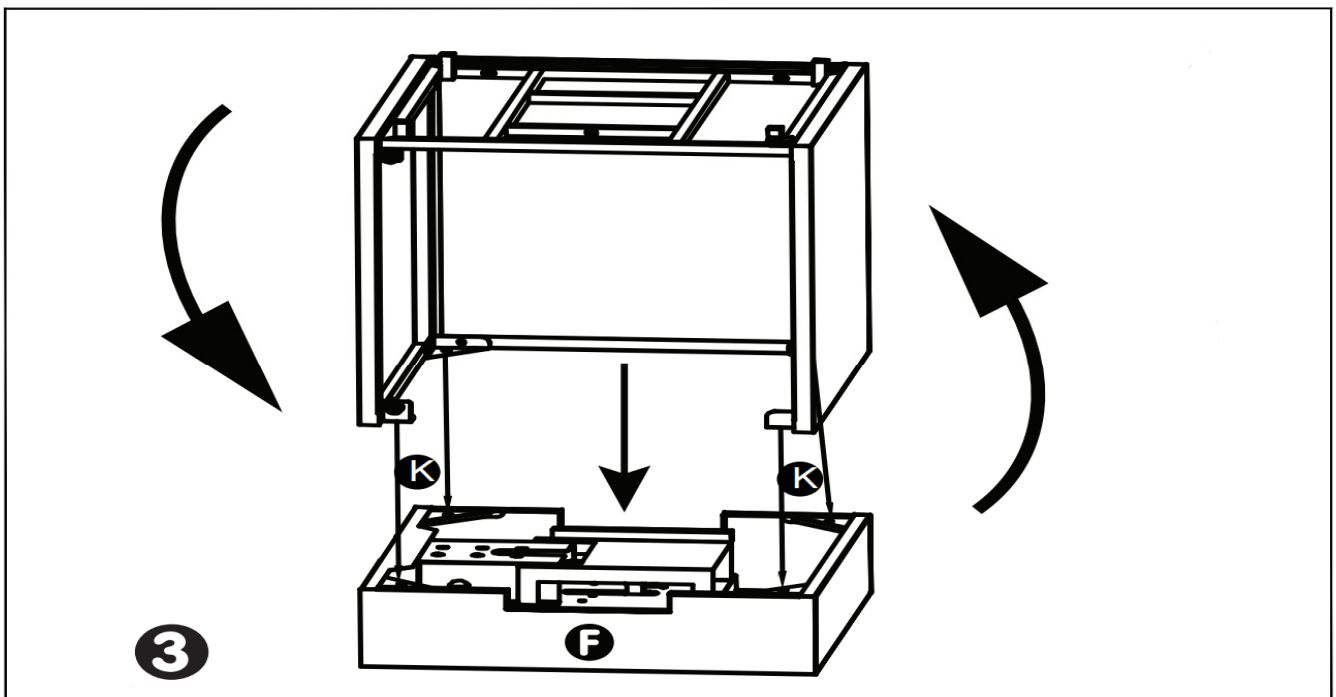


STEP 3:

Place the table top **F** on the ground table top side down.

Flip the table upside down and attach to base using cross groove screws **K*4**+washer **M*4**

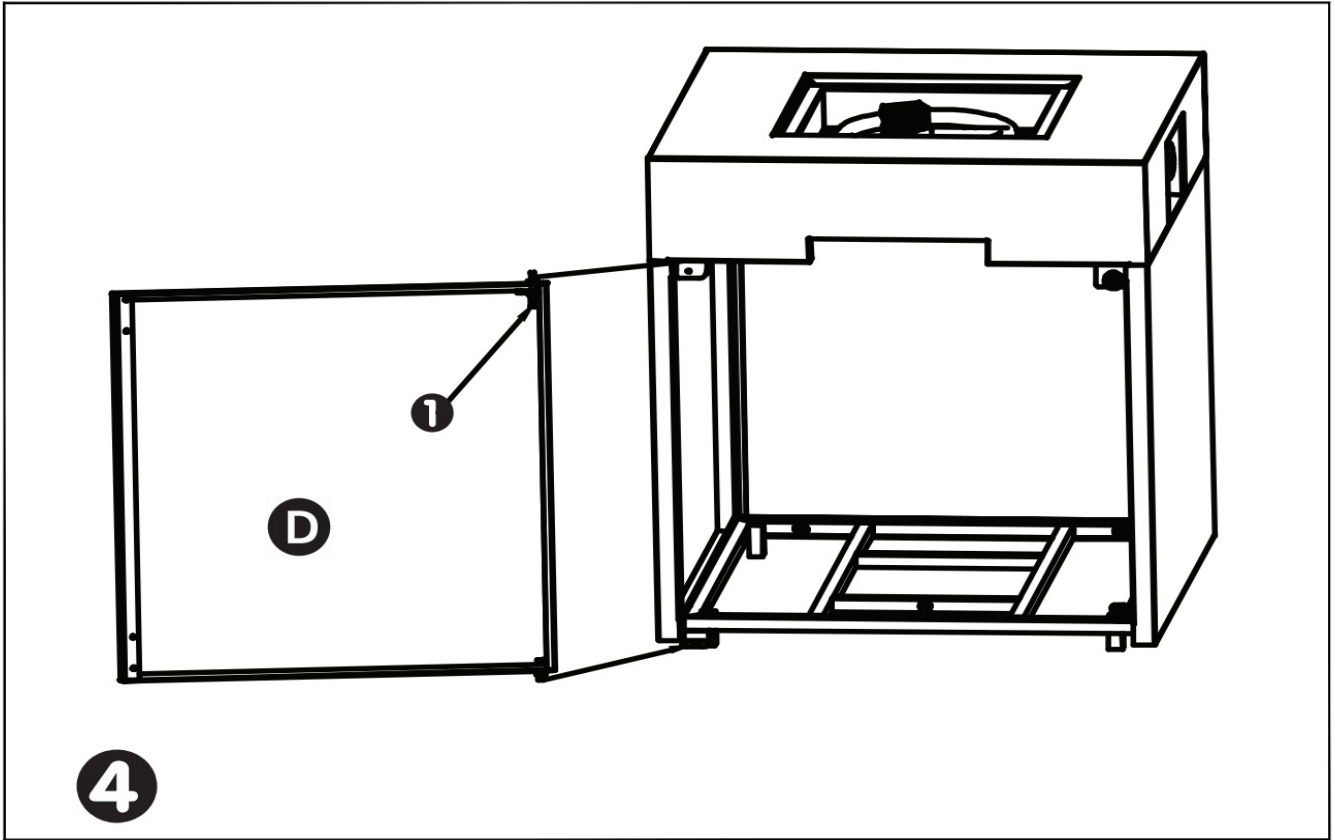
Flip table upright when complete. ****F** panel with 1/4*12 screws & 24*2 flat washer 4pcs



STEP 4:

Pull the lever **1** on front door **D** and align the door with the holes on the table top.

Once aligned, depress the lever **1** again to lower the aligned door posts into the holes.



STEP 5: FIRE BEADS INSTALLATION GUIDELINES

- A. Carefully inspect the carton for shipping damage. If any parts are missing or damaged, contact with us immediately. **Do not attempt** to install the appliance unless all parts are in good condition.
- B. Correct installation is crucial to safe performance of your Outdoor Fire Pit.
- C. Due to high temperatures, the Fire Pit must be located out of traffic areas and away from combustibles.

FIRE BEADS PLACEMENT

CAUTION - Cuts may occur from the sharp edges on fire beads. Use safety gloves during the placement of glass.

Pour the bag of fire beads **1** to the Outdoor Fire Pit so that the burner is completely covered. (See figures #1 and #2). These instructions apply to both round and rectangular burners.

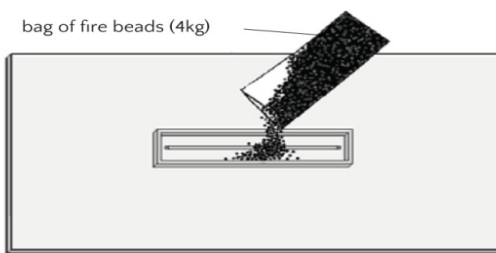


Figure 1

Top View

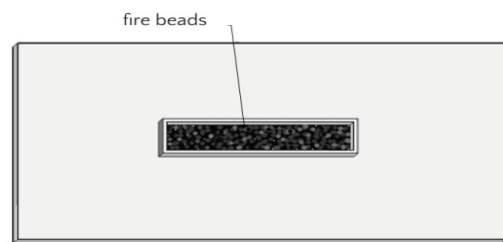


Figure 2

CAUTION: BURN HAZARD. FIRE BEADS WILL REMAIN HOT FOR SOME TIME AFTER USE.

YOU MUST MAINTAIN THE LAYOUTS SHOWN TO ENSURE PROPER OPERATION OF YOUR FIRE PIT. IF YOU NEED TO REPOSITION ANY MATERIAL TO MAINTAIN THE PROPER LAYOUT, USE HEAT RESISTANT GLOVES OR ALLOW MATERIAL ADEQUATE TIME TO COOL BEFORE HANDLING.

STEP 6: BATTERY INSTALLATION

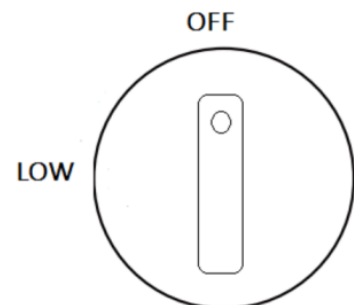


NOTE:

Install a AA battery by unscrewing the ignitor button on the control panel and inserting the battery. Replace the ignitor button.



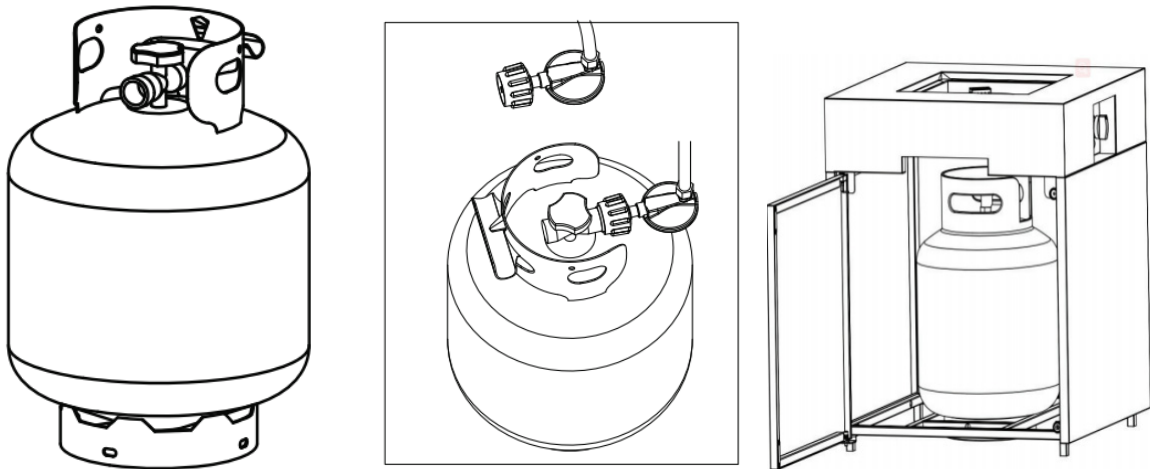
IGNITOR



STEP 7:

Connect hose and regulator to cylinder. The propane gas and cylinder are sold separately. Use a standard 20lb propane cylinder only. Use this appliance only with a propane vapor withdrawal supply system. See chapter 5 of the standard storage and handling of liquefied petroleum gas. ANS/NFPA 58. Your local library or fire department should have this book.

Storage of an appliance indoors is permissible only if the cylinder is disconnected and removed from the appliance. A cylinder must be stored outdoors in a well-ventilated area out of the reach of children. A disconnected cylinder must have dust caps tightly installed and must not be stored in a building, garage or any other enclosed area. The maximum inlet gas supply pressure: 250 psi. the minimum inlet gas supply pressure: 5 psi.

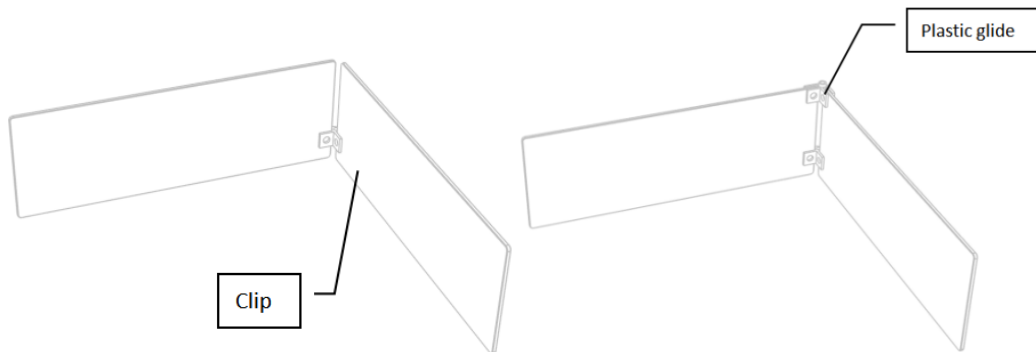


The minimum hourly of 10,000 BTU is required input rating for a appliance for automatic operation at ratings less than full input rating. The pressure regulator and hose assembly supplied with the appliance must be used.

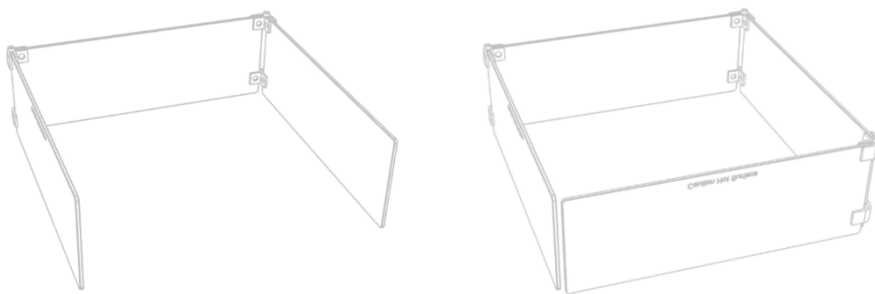
The installation must conform with local codes, or in the absence of local codes, with national fuel gas code. ANS Z223.1/NFPA 54, natural gas and propane Installation Code. CSA B149.1. or propane storage and handling code, B149.2.

STEP 8: GLASS WINDSHIELD INSTALLATION

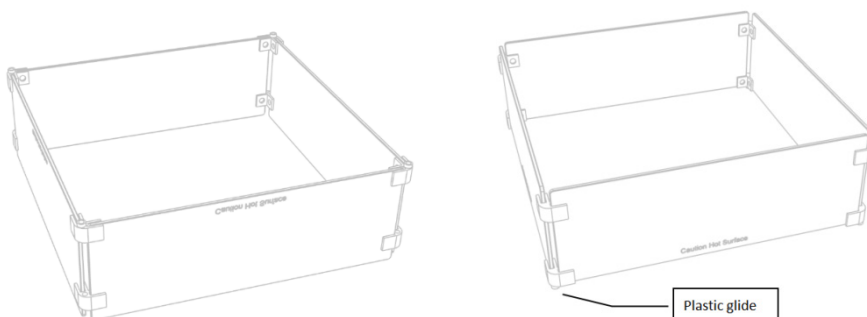
- ① Connect two pieces glasses together with provided clip.
- ② Put the plastic glide into a clip and install the clip to the bottom of the two glasses as shown. Secure the clip position with the screws.



- ③ Follow Step 1 and 2 to install the third piece of glass. Secure the position with the screws but do NOT tighten the screws.
- ④ Follow Step 1 and 2 to install the fourth piece of glass. Secure the position with the screws but do NOT tighten the screws.



- ⑤ Install the final two pieces of clips and plastic glides. Secure the position with the screws but do NOT tighten the screws. Adjust the glasses positions. Tighten all the screws and put the glass windshield upside-down, so the plastic glides are at the bottom. The glass windshield is now ready to use.



- ⑥ Put the windshield at the top of the fire pit table.
- **Assembly is complete and the fire pit is ready for use.

OPERATION



CAUTION: Do not attempt to operate until you have read and understand all general safety information in this manual, all assembly is complete, and a leak test has been performed.



DANGER

FOR OUTDOOR USE ONLY:
CARBON MONOXIDE HAZARD
Never use this appliance inside a house or other unventilated or enclosed areas. This fire pit consumes air (oxygen). Do not use in unventilated or enclosed areas to avoid endangering your life.



WARNING

Very hot while in operation!
Never lean over the fire pit while in use. Do not touch the table top or burner assembly while fire pit is in operation. Fire pit will be hot after use. Handle with care. Wait until fire pit has cooled after use before placing burner cover over burner or touching any surfaces. Failure to follow these instructions may result in serious bodily harm.



WARNING

FOR YOUR SAFETY
Be careful when attempting to manually ignite this fire pit. Holding in the control knob for more than 10 seconds before igniting the gas will cause a ball of flame upon ignition.



NOTE: This product is not for commercial use, it is intended for residential use only.



CAUTION: Never use this appliance for other than the intended use. DO NOT USE this appliance to prepare food.



CAUTION:

- Alert children and adults to the hazards of high surface temperatures. Keep away and keep vulnerable adults and children away from the appliance to avoid burns or clothing ignition. Carefully supervise children when they are in the area of the appliance.
- Clothing or other flammable materials should not be hung from the appliance or placed on or near the appliance. The area above the fire pit will be extremely hot while in operation. Avoid direct contact with these surfaces to prevent burns or clothing ignition.
- Do not use indoors or inside any enclosure.
- Retain the assembly and operation instructions for future reference.
- Installer: please leave these instructions with the owner.



CAUTION:

- Installation and repair should be done by a qualified service person.
- The appliance comes with a heat shield which is an important safety component preventing contact with the fire bowl when adjusting the propane valve. Any guard or protective device removed for servicing the appliance must be replaced prior to operating the appliance. Do not operate the fire pit without all factory-installed parts in place. Any modification to the appliance may compromise the safety of the appliance.
- Do not bypass the thermocouple safety feature.
- The appliance should be inspected before each use and at least annually by a qualified service person. More frequent cleaning may be required as necessary. It is imperative that the control compartment, burners, and circulating air passageways of the appliance be kept clean.
- Inspect the hose assembly before each use. If there is evidence of excessive abrasion or wear, or if the hose is damaged, it must be replaced prior to using the appliance. Use only a replacement hose assembly specified by your dealer.
- Inspect the burner before each use. Ensure that no debris such as leaves, grass, insects, insect nests, or other objects have entered or are on the appliance. Never use the appliance if the burner is damaged. If the burner is damaged it must be replaced prior to using the appliance with a replacement burner specified by your dealer.
- Do not operate the appliance if any parts have been underwater. Immediately call a qualified technician to inspect the appliance and replace any part of the control system, and any gas control, which has been underwater.

LEAK CHECK



WARNING

- Perform all leak check testing outdoors.
- Extinguish all open flames.
- NEVER leak test while smoking.
- Do not use the fire pit until all connections have been leak tested and do not leak.

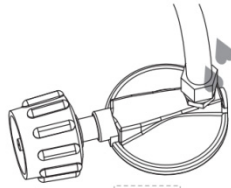


Fig. 1

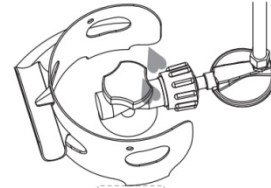


Fig. 2

- Make 2-3 oz. of leak test solution (one part liquid dish soap to three parts water).
- Use a spray bottle or brush to apply several drops of solution where the hose attaches to the regulator (Fig. 1).
- Apply several drops of solution where regulator connects to the cylinder (Fig. 2).
- Make sure all valves are turned OFF.
- Turn the cylinder valve ON.

If bubbles appear at any connection, there is a leak.

- Turn the cylinder valve OFF.
- If the leak is at the hose/regulator connection, tighten the connection and perform another leak test. If bubbles continue to appear, return the hose to the place of purchase.
- If the leak is at the regulator/cylinder valve connection, disconnect, reconnect, and perform another leak test. If bubbles continue to appear after several attempts, the cylinder valve is defective. Return the cylinder to the supplier for replacement.

If NO bubbles appear at any connection, the connections are secure.

- Whenever gas connections are loosened or removed, you must perform a complete leak check.

OPERATION CHECKLIST

For a safe and pleasant heating experience, review this checklist before each use:

- I am familiar with the entire owner's manual and understand all precautions noted.
- For a safe and pleasant heating experience, review this checklist before each use:
- I am familiar with the entire owner's manual and understand all precautions noted.
- All components are properly assembled, intact, and operable.
- No alterations have been made.
- All gas connections are secure and do not leak.
- Wind velocity is below 10 mph.
- I understand that the fire pit is for outdoor use (outside any enclosure).
- There is adequate fresh air ventilation.
- The fire pit is away from gasoline and other flammable liquids or vapors.
- The fire pit is away from windows, air intake openings, Sprinklers, and other water sources.
- The fire pit is at least three ft. on all sides/front/back and six ft. overhead from combustible materials.
- The fire pit is on a hard and level surface.
- There are no signs of spider/insect nests in the fire pit orifices.
- All burner passages and air circulation passages are clear.

- I understand that children and adults should be alerted to the hazard of high surface temperatures and should stay away to avoid burns or clothing ignition.
- I understand young children should be carefully supervised when in the area of the fire pit.
- I understand clothing or other fabric material should not be hung from the fire pit or placed on or near the fire pit.
- I understand that any guard or other protective device removed for servicing the fire pit must be replaced prior to operation.
- I understand installation and repair should be done by a qualified service person, and that the fire pit should be inspected before each use and at least annually by a qualified service person.
- I understand that more frequent cleaning may be required as necessary and that it is imperative that the control compartment, burner, and circulating air passageways of the fire pit be kept clean.
- The fire pit is constructed of aluminum, a relatively soft/flexible metal, and I should not allow anyone to sit or lean heavily on the top of the fire pit, which can cause bending or warping.

BEFORE LIGHTING:

- Smell all around the unit area for gas. Be sure to smell near the floor, because gas is heavier than air and will settle to the lowest point. If you smell gas, shut off the gas to the appliance, extinguish any open flame, and if odor persists, call your gas supplier or the fire department.
- Fire pit should be thoroughly inspected before each use, and by a qualified person at least annually. Suspect areas should be leak tested. If the hose leaks, it must be replaced prior to operation. Only use a replacement hose assembly specified by the manufacturer.
- If relighting a hot fire pit, always wait at least five minutes for lingering gas to dissipate.

LIGHTING

Initial Lighting: On first operation, the appliance may emit a slight odor. This is a normal and temporary condition caused by the burning off of oils used in manufacturing. Simply allow the burner to run on high for approximately one-half hour.



NOTE: Use only your hand to depress or turn the control knob. Never use tools. If the knob will not depress or turn by hand, DO NOT try to repair it. Call a qualified service technician. Force or attempted repair may result in a fire or explosion and will void the warranty.

- Turn the control knob to "OFF" position.
- Fully open LPG cylinder valve.
- Depress and turn the control knob to "LO" to begin the ignition sequence.
- Depress and turn the control knob counterclockwise to "HI". While depressing the control knob, push the electronic ignition button to ignite the burner. (The ignition will produce a soft snapping/crackling sound. If the fire pit does not light and there is no snapping sound, replace the battery.)
- After the fire pit lights, wait 45 seconds, then release the control knob.
- Observe the flame height when lit. Flame should mostly vary between 3 in. and 13 in. in height. Overly short or tall flame can indicate a problem.
- To decrease the flame, turn the control knob clockwise to "LO". To increase the flame, turn the control knob counterclockwise to "HI".



NOTE: If burner fails to remain lit, close all valves and wait at least 5 minutes before attempting to relight.

SHUT DOWN

- To extinguish the burner, depress the control knob and turn it clockwise to OFF.
- Turn the cylinder valve clockwise to OFF.
- Disconnect the regulator when the fire pit is not in use.

POST -OPERATION CHECKLIST

- Gas control knob is in OFF position.
- Gas tank valve is off.
- Gas line is disconnected.
- Fire pit is allowed to cool before touching, cleaning, or covering.

CARE AND CLEANING

To preserve the appearance of your fire pit, perform regular basic cleaning and store when not in use. While cleaning the unit, keep the area around the burner dry at all times. If the gas control is exposed to water, it must be replaced. Do NOT attempt to use it.

CLEANING

- Turn the control knob to "OFF" position.
- Disconnect gas supply.
- Use a dry cloth or warm soapy water for cleaning exterior surfaces of the fire pit. Never use flammable or corrosive cleaning agents.
- Keep the area around the fire pit free of debris and plant matter to reduce debris, buildup, and pest nests in the interior of the fire pit.

STORAGE BETWEEN USES

- Turn the control knob to "OFF" position.
- Disconnect gas supply.
- Store fire pit upright in an area sheltered from direct exposure to inclement weather (such as rain, sleet, hail, snow, dust and debris).
- If desired, cover fire pit to protect exterior surfaces and to help prevent buildup in air passages

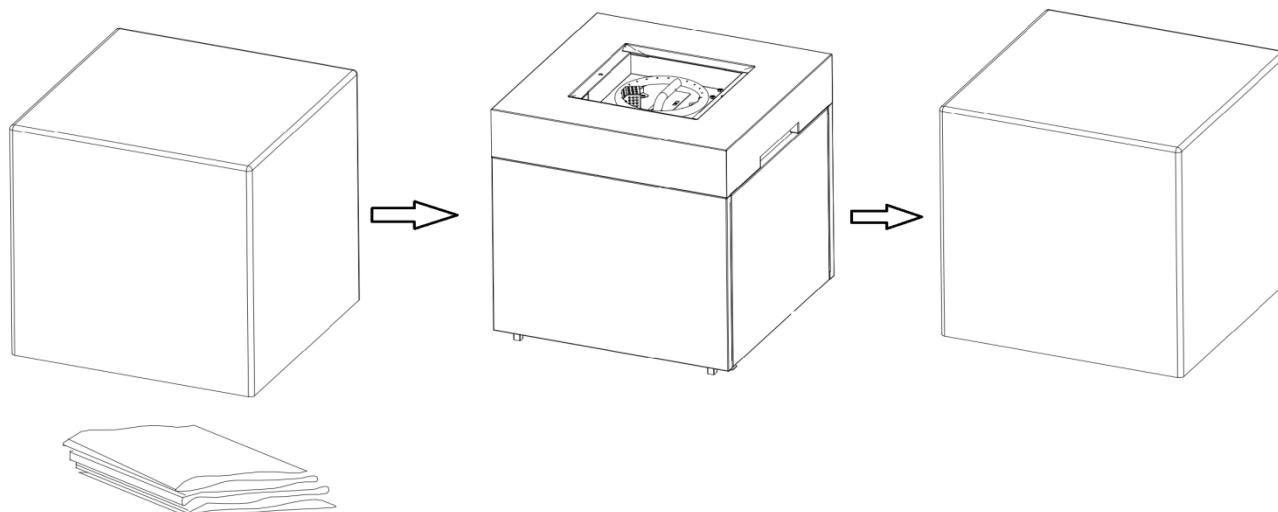
STORAGE DURING PERIODS OF DISUSE OR TRANSPORT

- Turn the control knob to "OFF" position.
- Disconnect gas supply and move to a secure, well ventilated outdoor location. DO NOT store in direct sun or where temperatures exceed 125°F.
- Store fire pit upright in an area sheltered from direct exposure to inclement weather (such as rain, sleet, hail, snow, dust and debris).
- If desired, cover fire pit to protect exterior surfaces and to help prevent buildup in air passages

Fire pit covers are a great way to protect the item from harsh elements of weather and UV light. However, it is important to ensure furniture and covers are free of moisture and debris before covering. It is also necessary to promptly uncover furniture after rain and during periods of high humidity to prevent moisture build up. Failure to do so can lead to permanent surface and finish damage.



WARNING: WAIT UNTIL FIRE PIT IS COOL BEFORE COVERING.



FIRE PIT COVER

TROUBLESHOOTING

Problem:	Condition:	Solution suggested:
Burner won't light	Control knob is not in Maximum position (big flame).	Turn control knob in Maximum position (big flame).
	LPG cylinder valve is closed / Empty.	Open the valve / Replace LPG cylinder with a new one.
	Blockage in the injector.	Clean or replace injector.
	Air in the gas circuit.	Open gas line and bleed it (pressing control knob in) for not over 1 minute or until you smell gas.
	Low gas pressure.	Replace LPG cylinder with a new one.
	Igniter fails.	Use match to light burner; change battery or obtain new igniter and replace it.
Burner won't stay lit	Dirty build up around burner.	Clean dirty around the burner.
	Low flames or not full running around the burner.	Flame spreader holes partially closed; clean the burner.
	Thermocouple is not operating correctly.	Replace thermocouple (FSD).
	Low Gas pressure.	Replace LPG cylinder with a new one.
Burner flame is low Note: Do not operate appliance below 5 °C	Outdoor temperature is greater than 5 °C and LPG cylinder is less than 25 % full.	Replace LPG cylinder with a new one.
	Gas pipe is bent or kinked.	Straighten hose and perform leakage test on gas pipe.
	Control knob is fully Maximum position (big flame).	Turn control knob to "OFF" position (full disk), let cool to room temperature and check burner and orifices for blockage.
Carbon build-up	Dirty or film on burner.	Clean burner.
Flash back (flame inside burner)	Burner ports are blocked.	Switch OFF the appliance. Close LPG cylinder valve. Wait 2 minutes, following the ignition procedure. Ignite burner. If problem continuous, switch-off. Contact your dealer.
Thick black smoke	Blockage in the burner.	Turn control knob to "OFF" position, let the appliance to cool at room temperature and remove blockage and clean burner inside and outside.