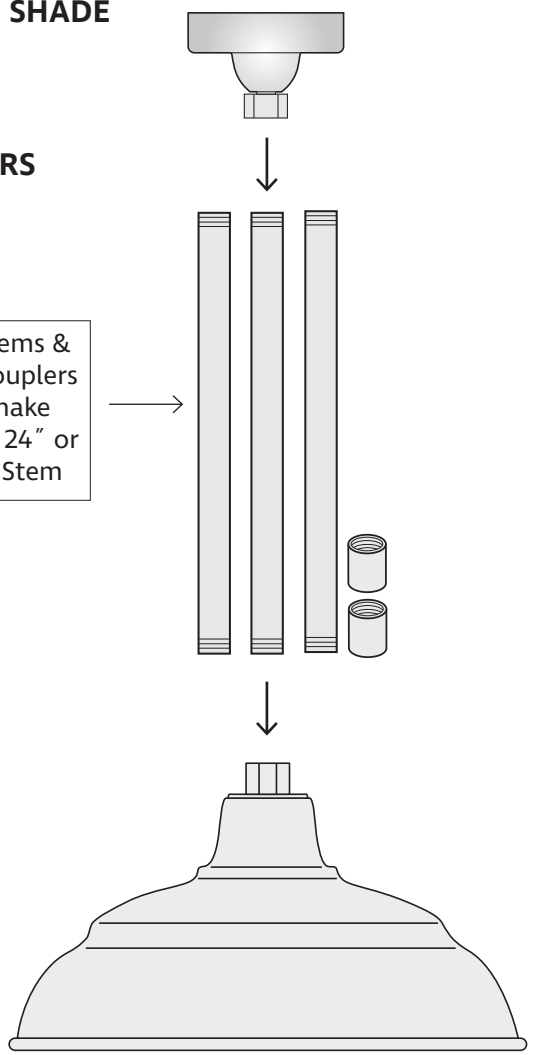
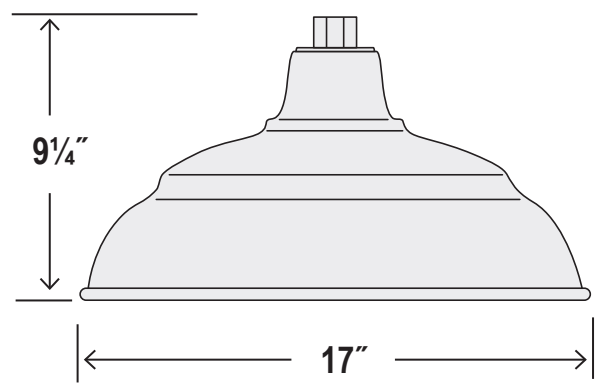


**17" WAREHOUSE SHADE**  
**INCLUDES:**  
**CANOPY,**  
**3 - 12" STEMS**  
**2 - STEM COUPLERS**

3 Stems &  
2 Couplers  
to make  
12", 24" or  
36" Stem

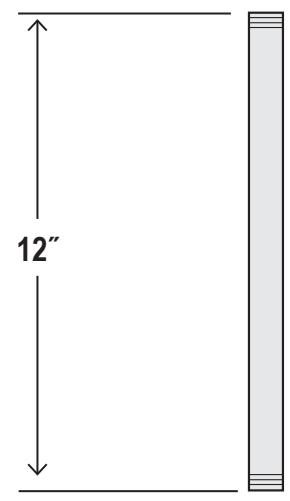


**17" Warehouse Shade Dimensions**

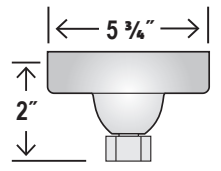


**12" Stem Dimensions**

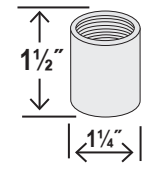
ID:  $\frac{3}{4}"$



**Canopy Dimensions**



**Coupler Dimensions**



Accepts  $\frac{3}{4}"$  stem