

Assembly instructions for:

TV stand

| WE CARE ABOUT YOUR SAFETY PLEASE READ

IMPORTANT SAFETY NOTICE READ CAREFULLY BEFORE BEGINNING ASSEMBLY

- This unit contains small parts that present a choking hazard for children under 3 years of age. These parts are for adult assembly only and should be permanently affixed to the furniture. Any unused parts should be discarded properly.
- To make the assembly process easier, ask a friend to help you.
2 people required
- Always use proper tools.
- Carefully review the parts and hardware list.
- It is recommended that you assemble the unit on a protected surface or carpeted floor to avoid scratches.
- Follow assembly steps in order. DO NOT SKIP ANY STEPS.
- Periodically check to ensure that all connectors (bolts, screws, etc.) are tight.
- Keep the instructions for future reference.

| WE WANT YOUR FURNITURE TO LAST PLEASE READ

CARE AND CLEANING INSTRUCTIONS

Congratulations on the purchase of your new product. Proper care and cleaning will extend the life of your purchase. To ensure your product maintains its finish and quality:

- Use a soft, clean cloth that will not scratch the surface when dusting
- Clean only with a slightly damp cloth
- Do not use chemical based products or solvents
- Liquid spills should be removed immediately
- Direct sunlight may fade or alter color of wood finishes

| WE'RE HERE IF YOU NEED IT CONTACT US

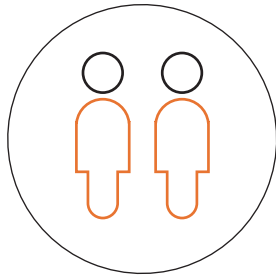
CUSTOMER SERVICE

To order replacement parts, or if you have any difficulty assembling this unit refer to the front page of this manual for model and serial # information along with finding the needed part number(s) from the parts list. Then call our customer service line. Please do not return and parts to the store.

HEADS UP



TIME



PEOPLE NEEDED

Pro Tip: Choose wisely.
Your sanity depends on it.



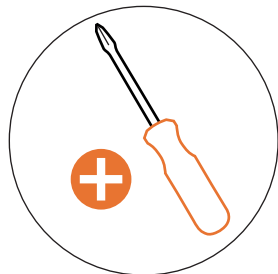
EFFORT SCALE

(you've got this)

BUST OUT

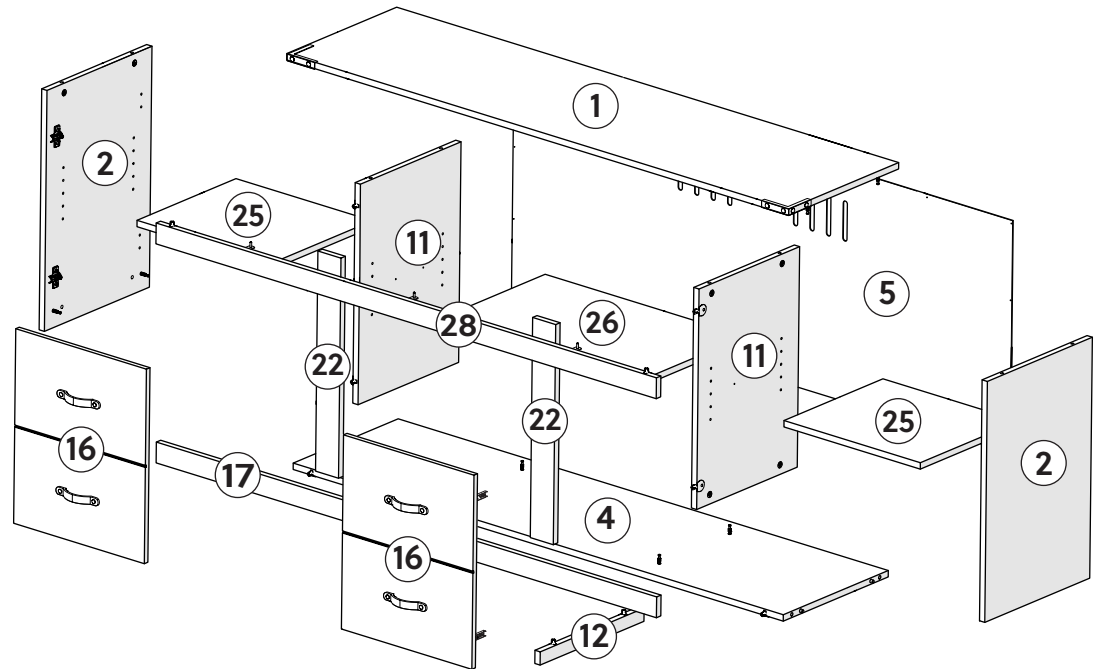


REQUIRED TOOL



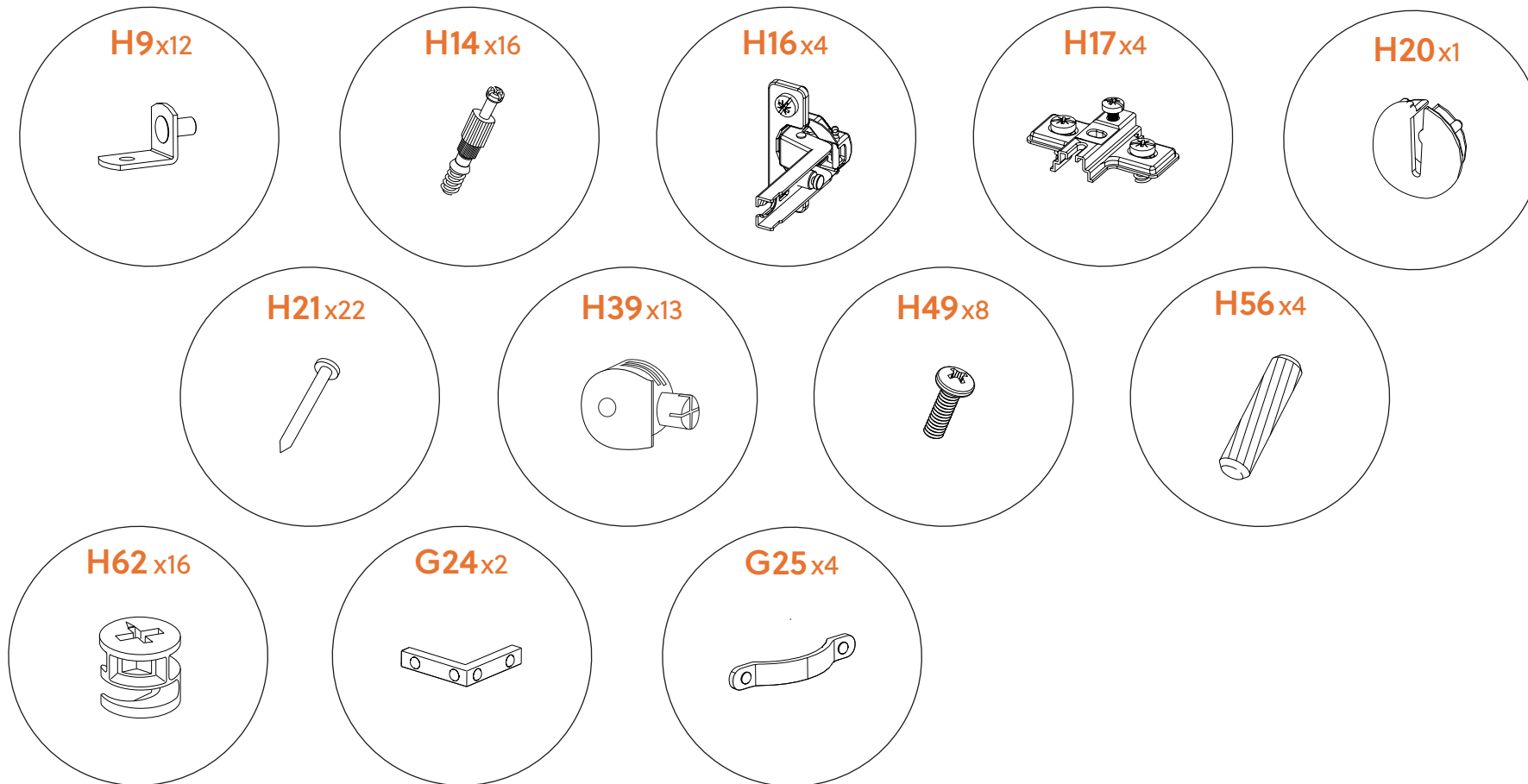
REQUIRED TOOL

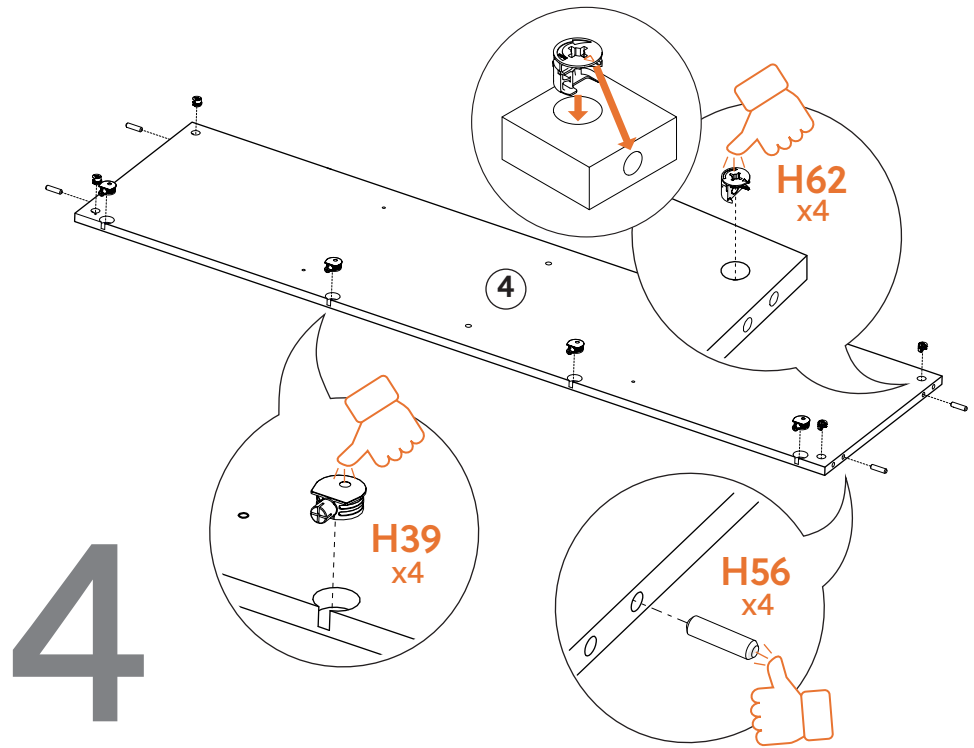
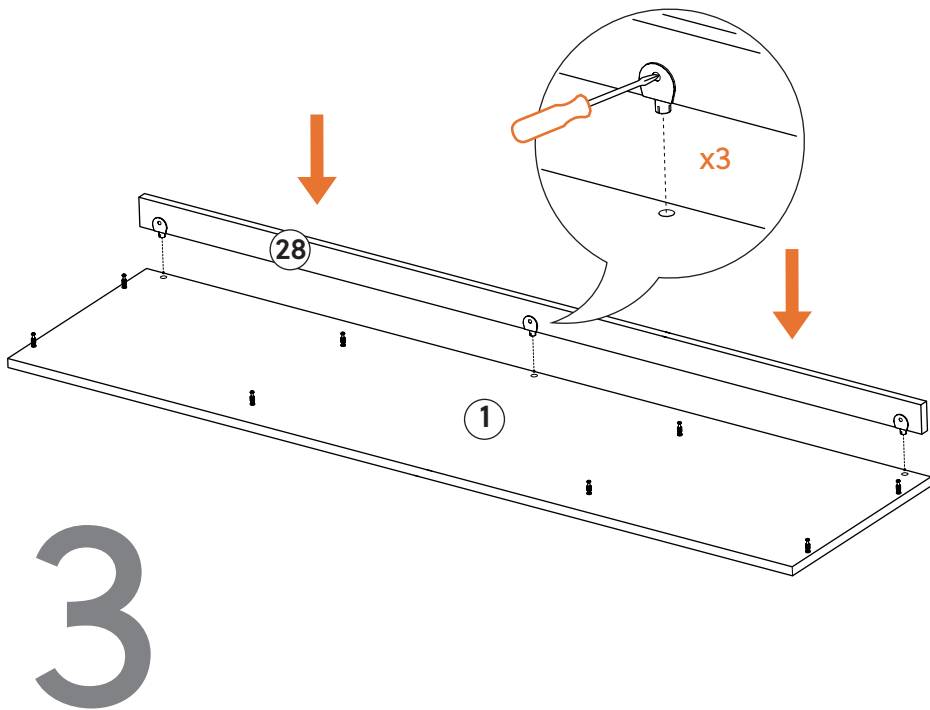
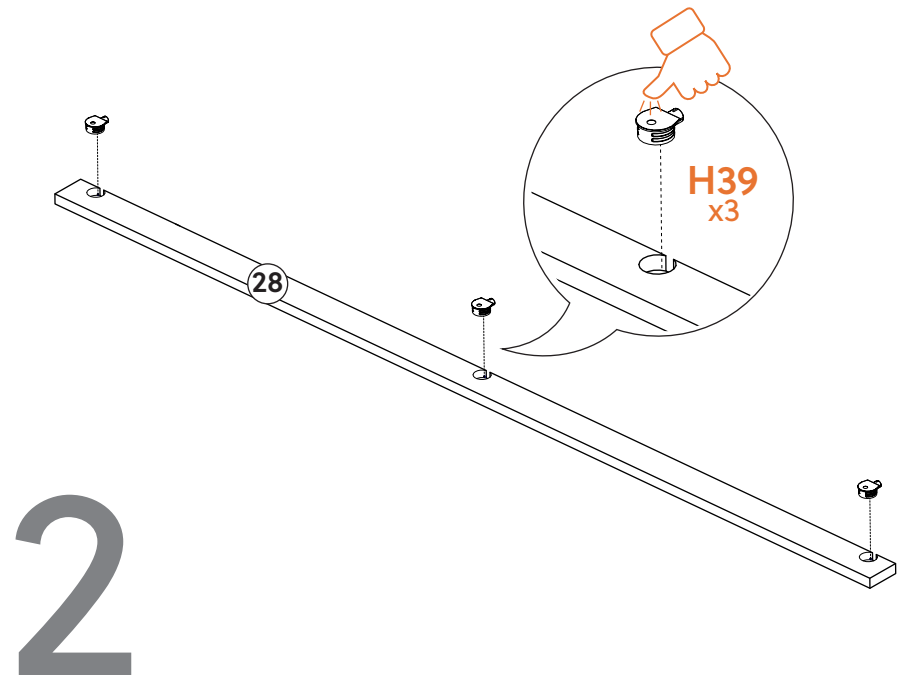
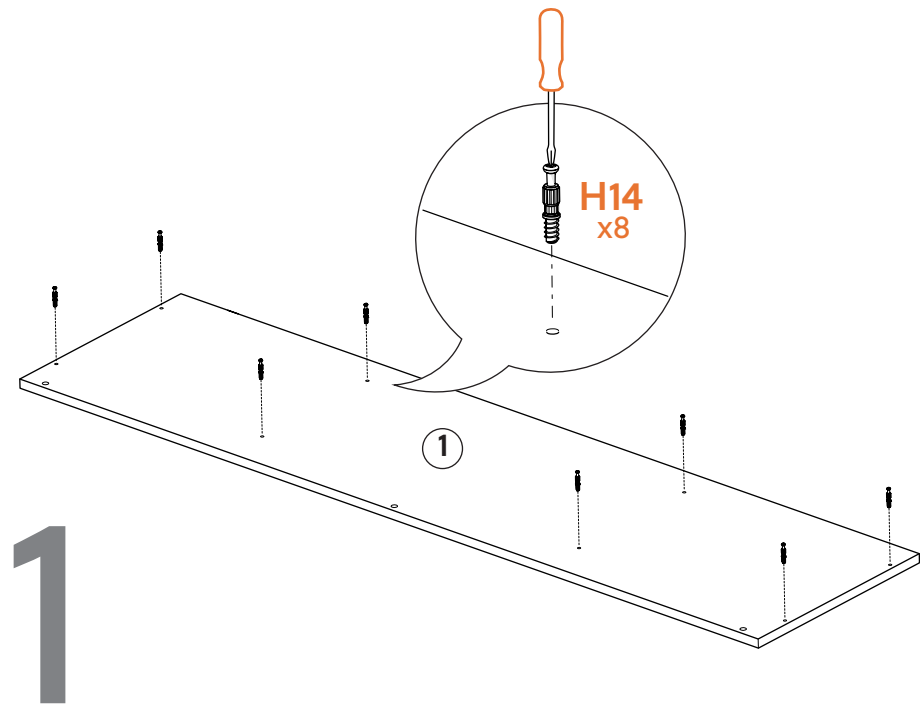
- ① TOP (1)
- ② SIDE (2)
- ④ BOTTOM (1)
- ⑤ UNIT BACK (1)
- ⑪ DIVIDER (2)
- ⑫ CENTER SUPPORT LEG (1)
- ⑬ DOOR (2)
- ⑭ BASESTRIP (1)
- ⑰ VERTICAL RAIL (2)
- ⑱ ADJUSTABLE SHELF (2)
- ⑳ CENTER ADJUSTABLE SHELF (1)
- ㉓ TOP FRONT RAIL (1)

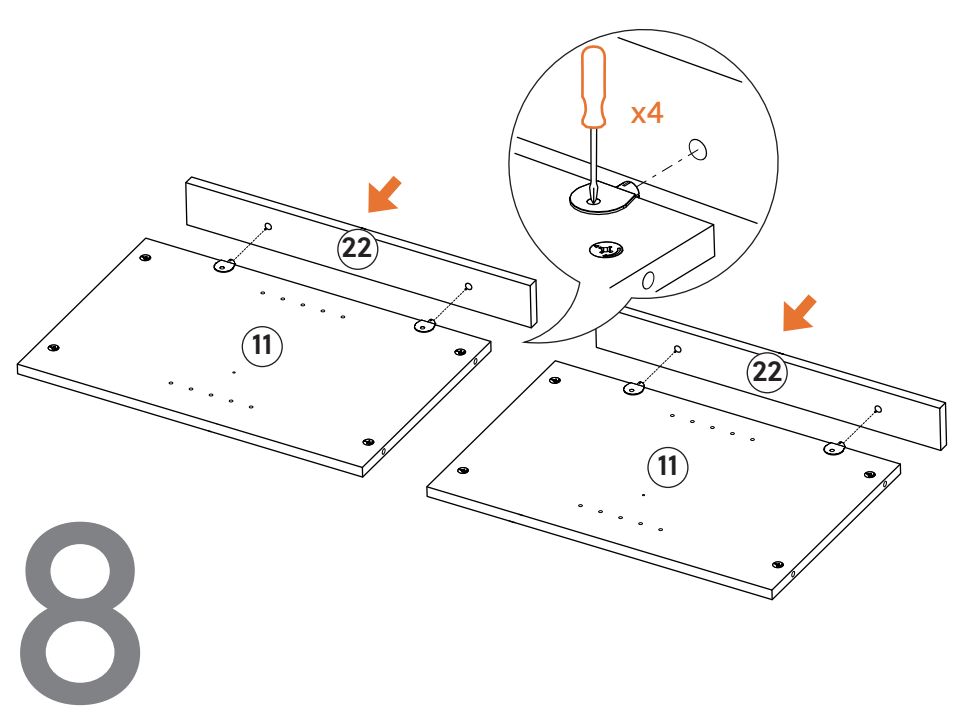
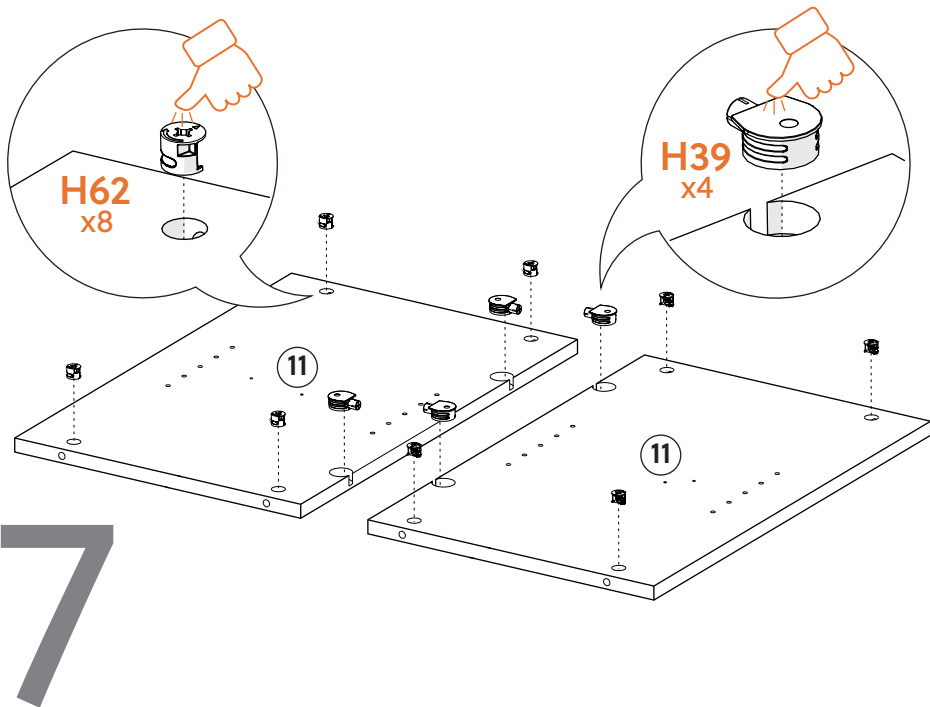
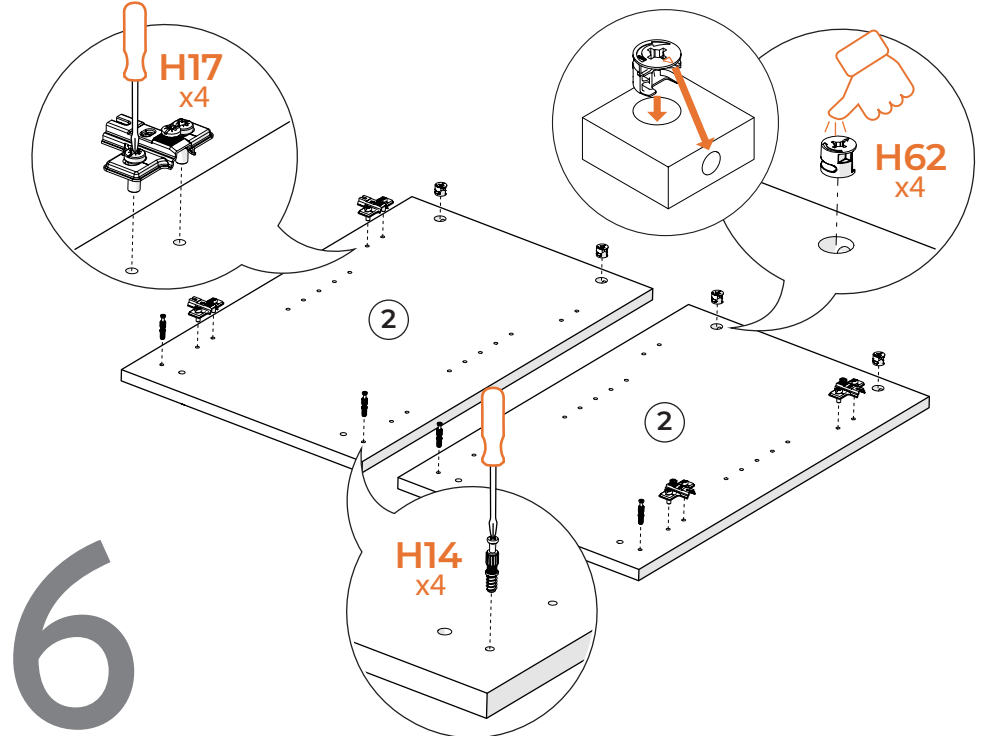
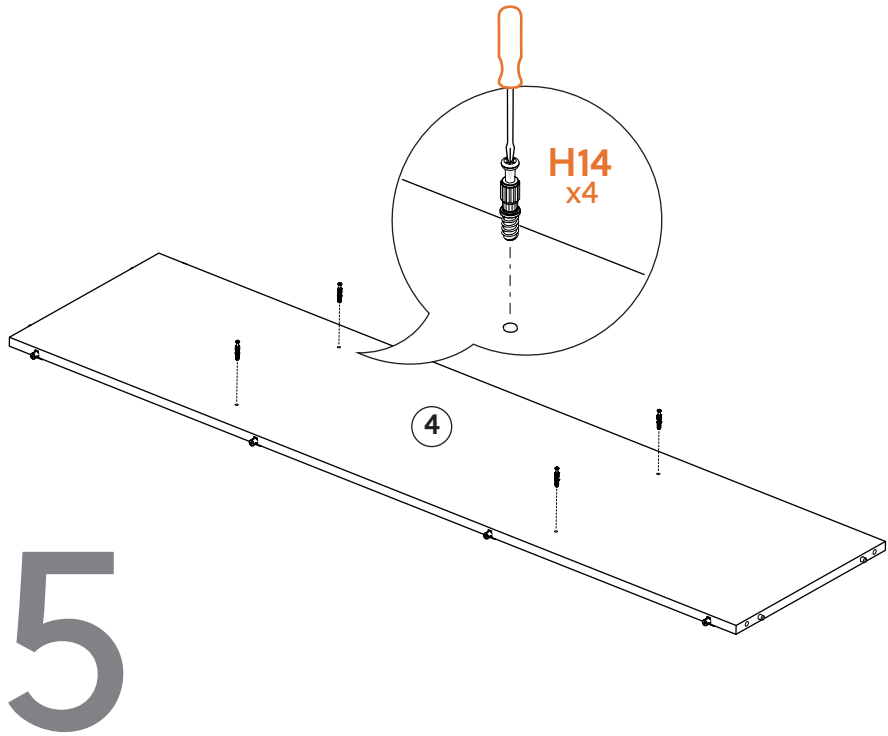


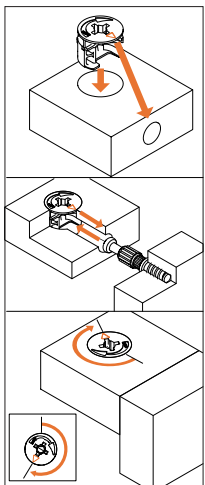
COMPONENTS

HARDWARE

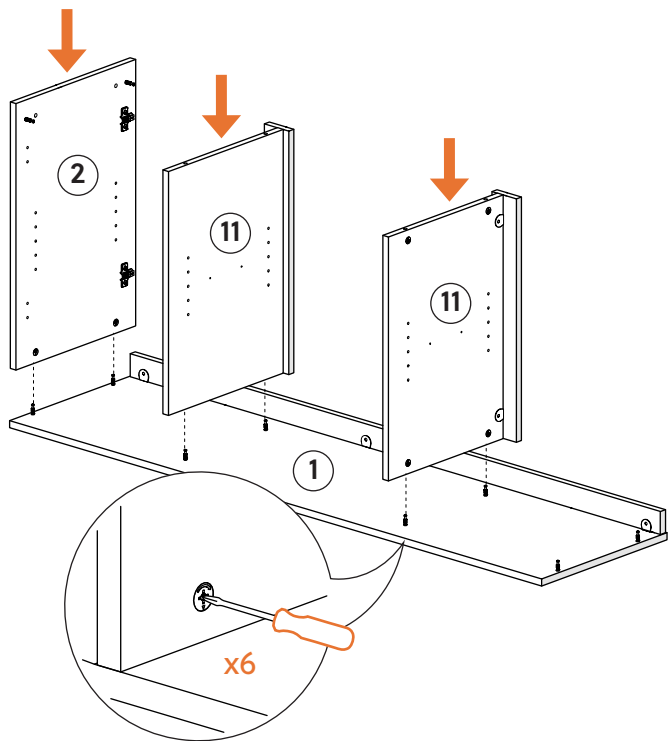




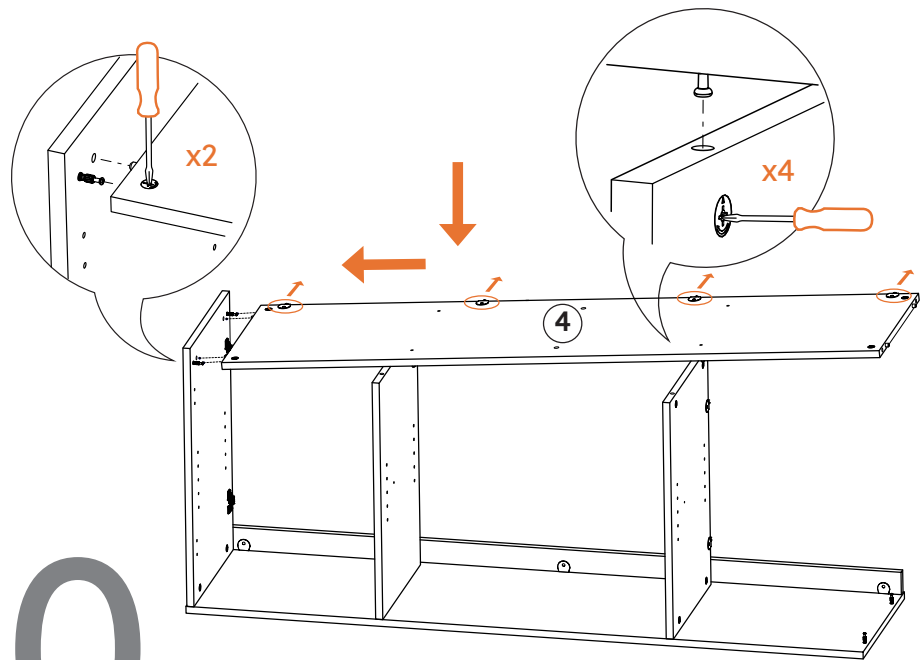




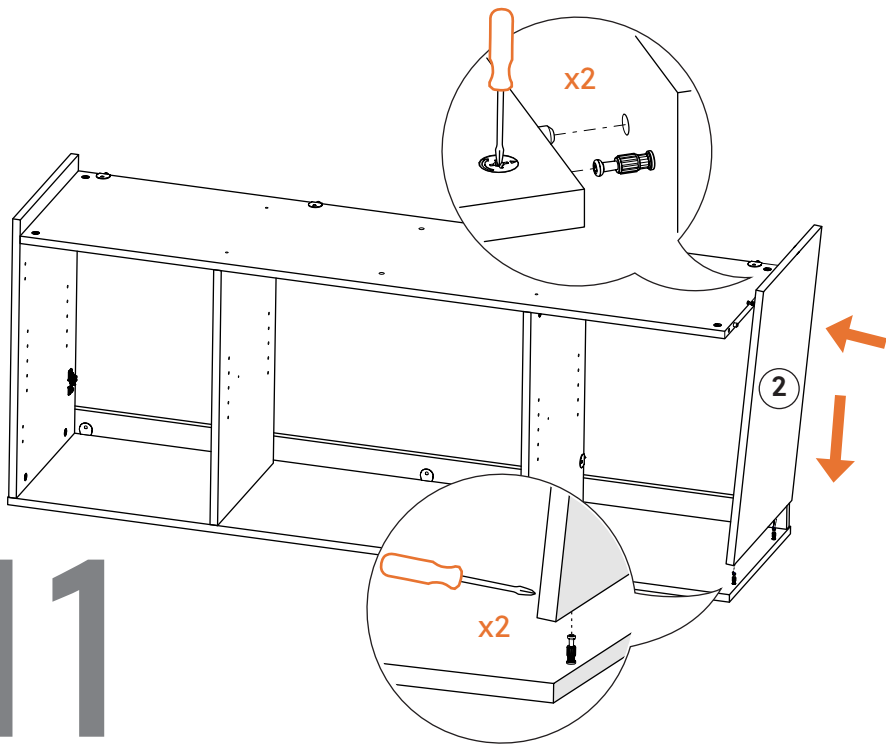
9



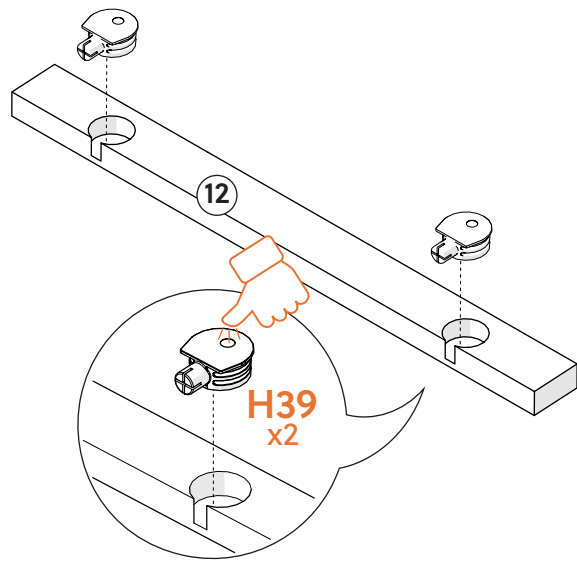
10

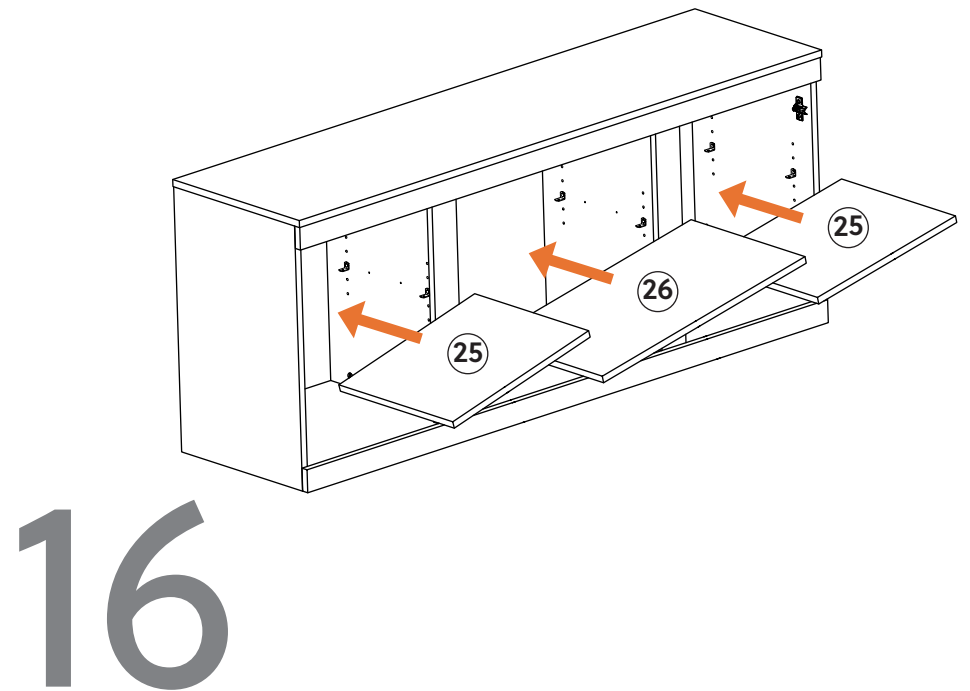
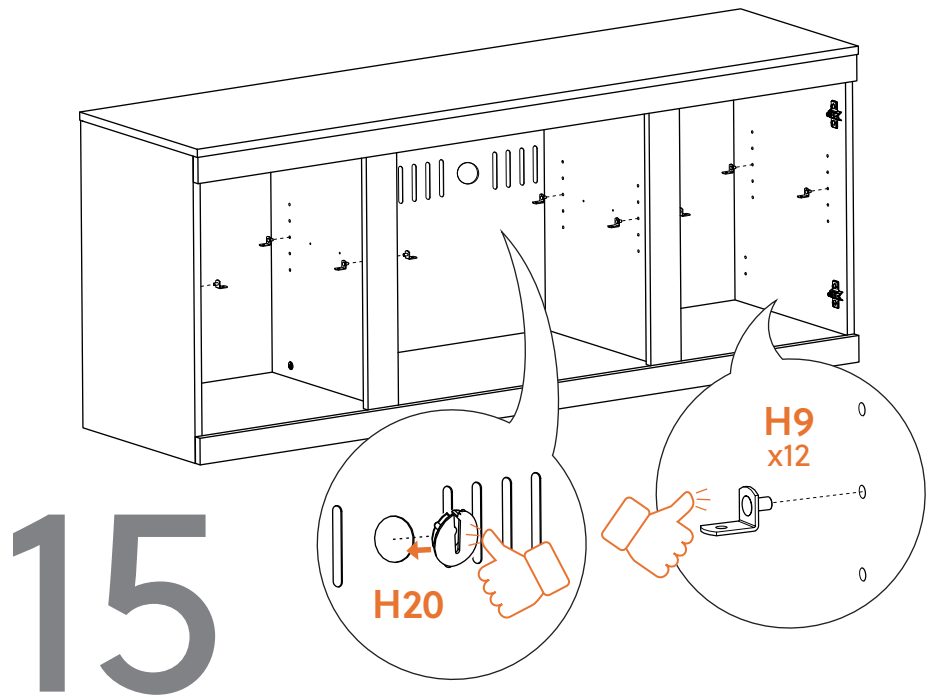
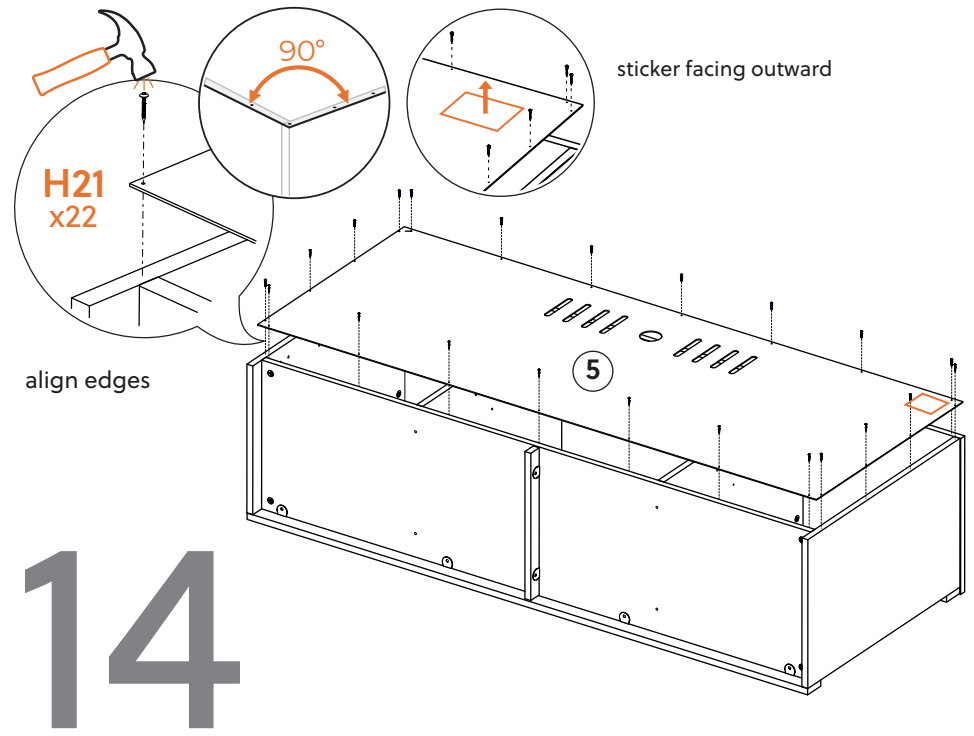
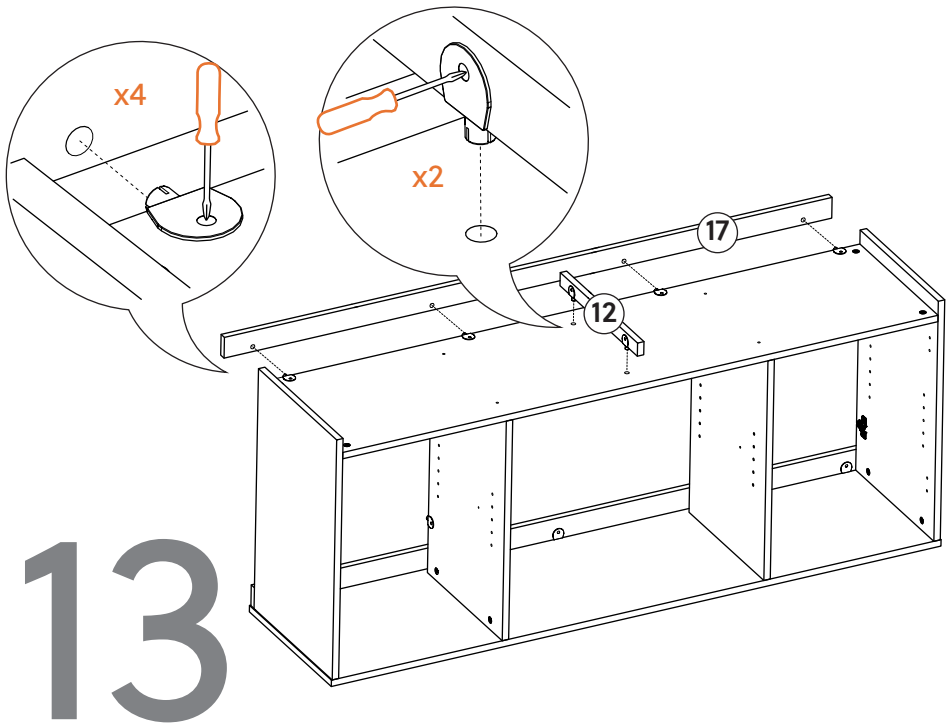


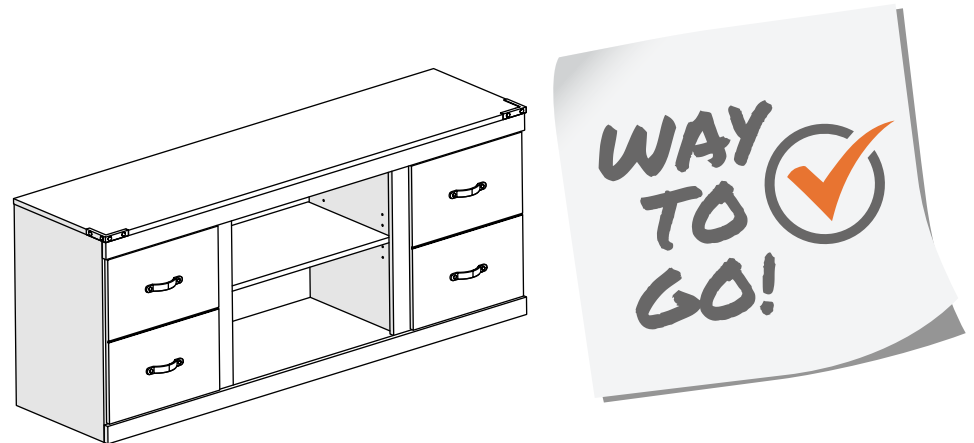
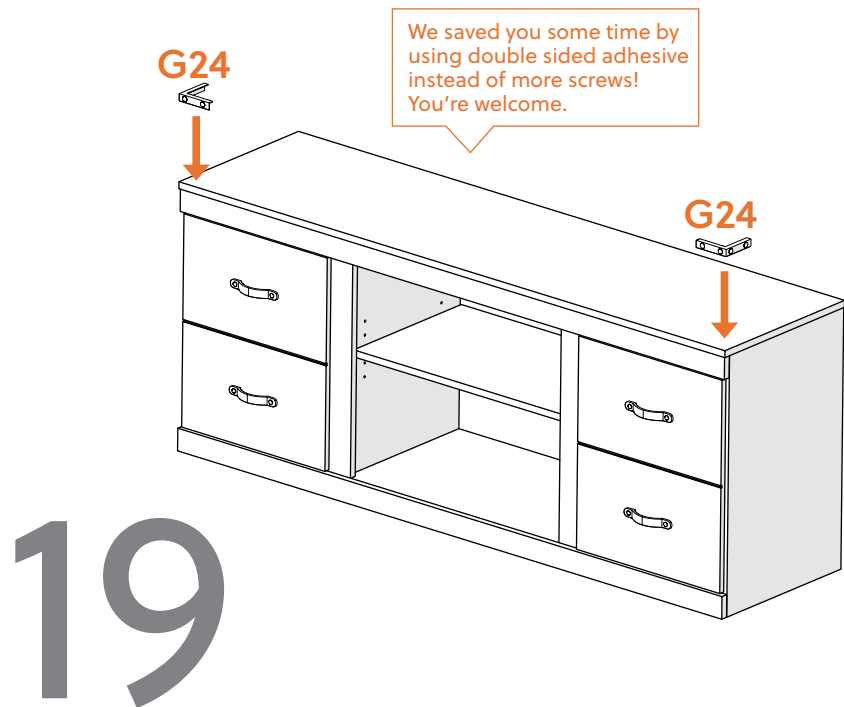
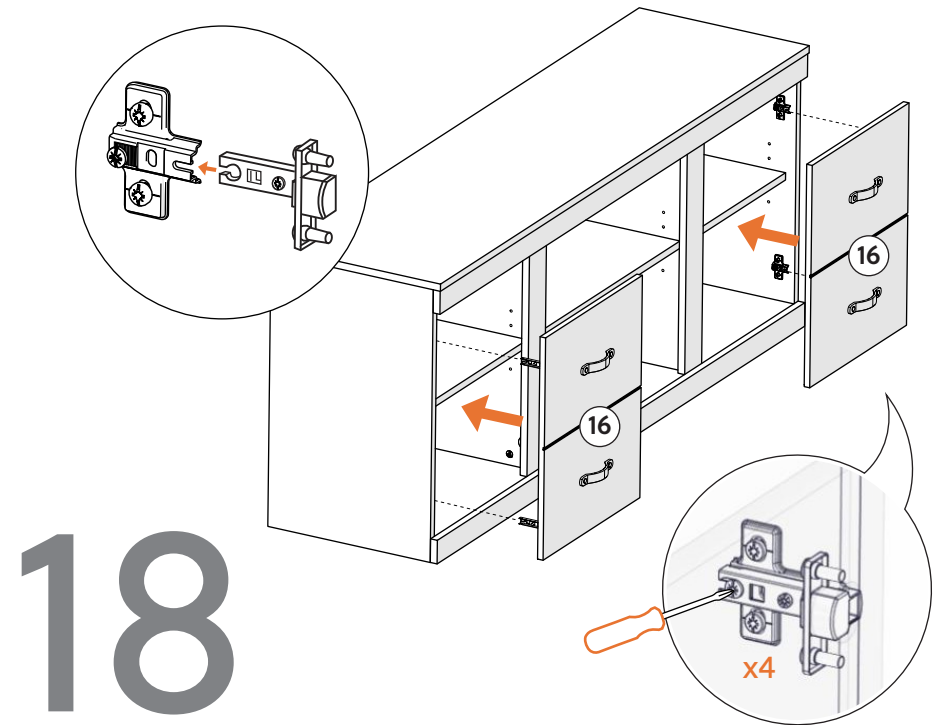
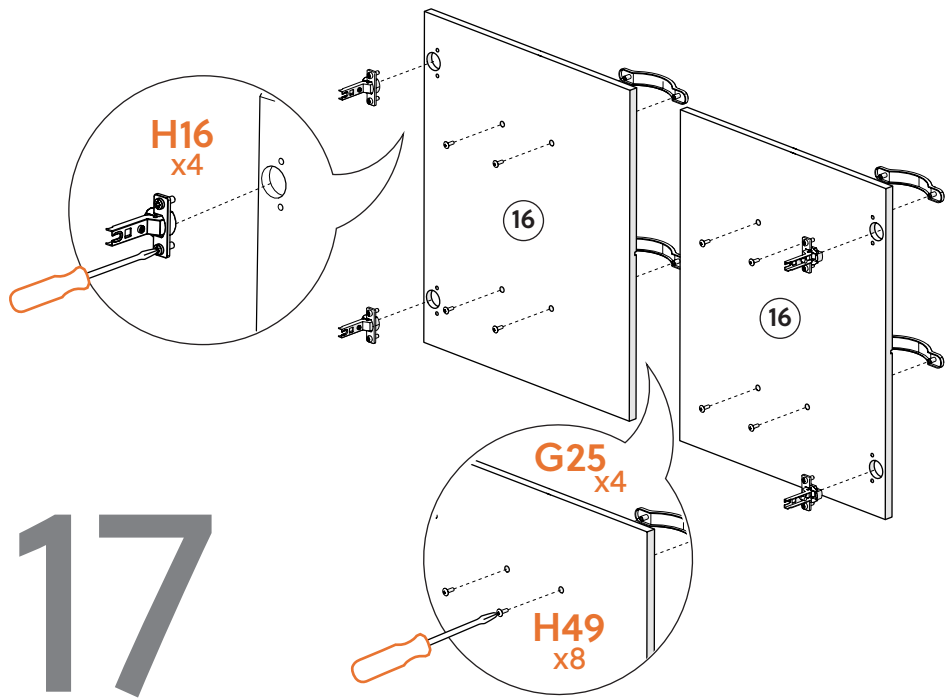
11

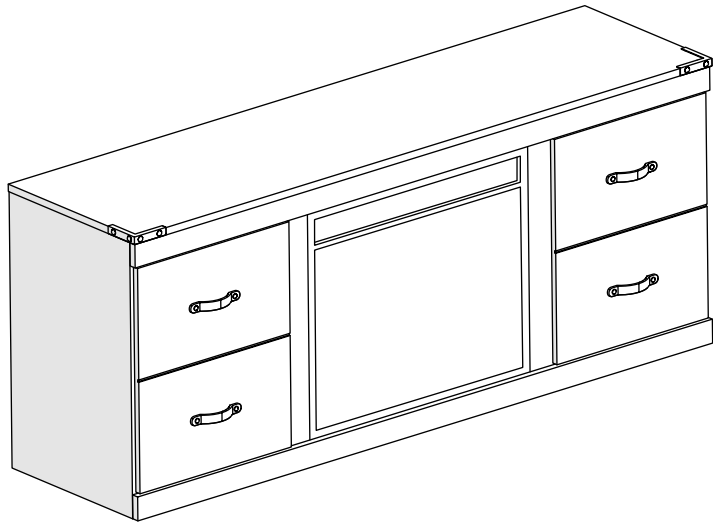


12

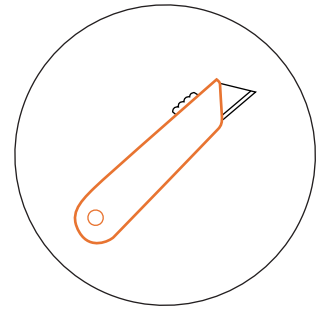
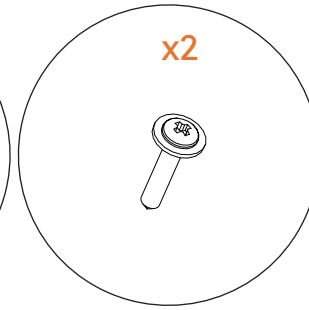
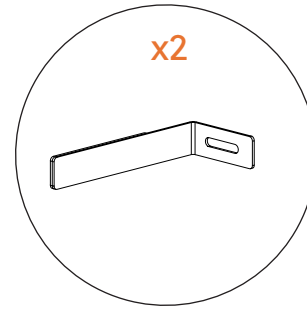






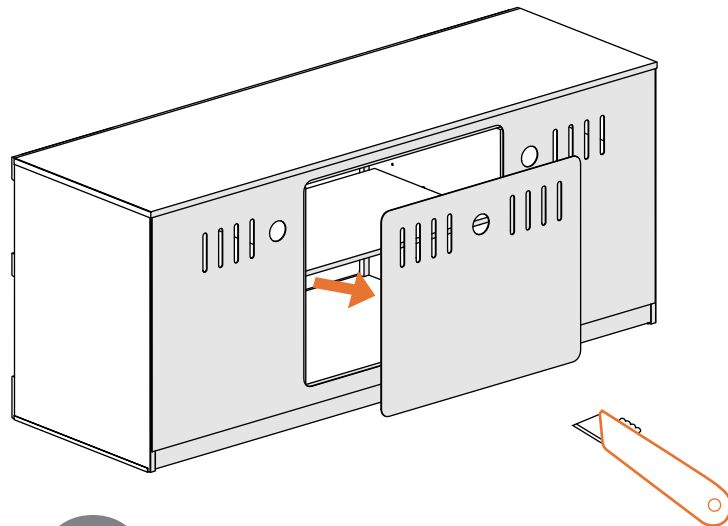


FIREFLACE OPTION

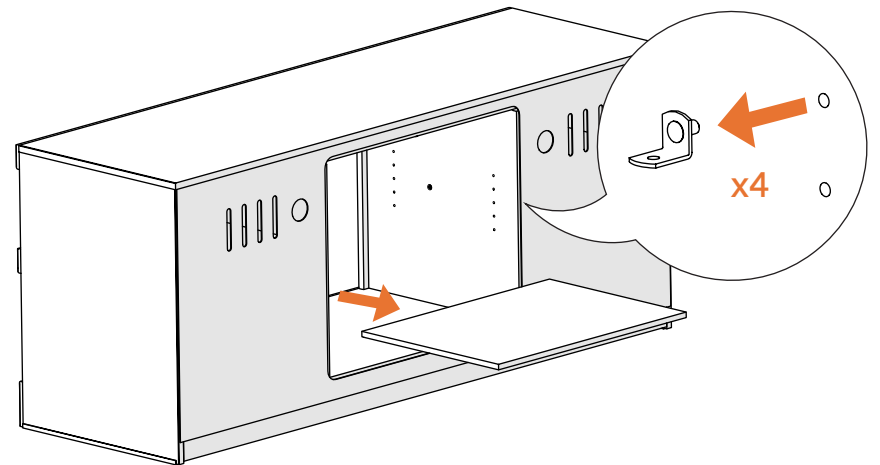


REQUIRED TOOL

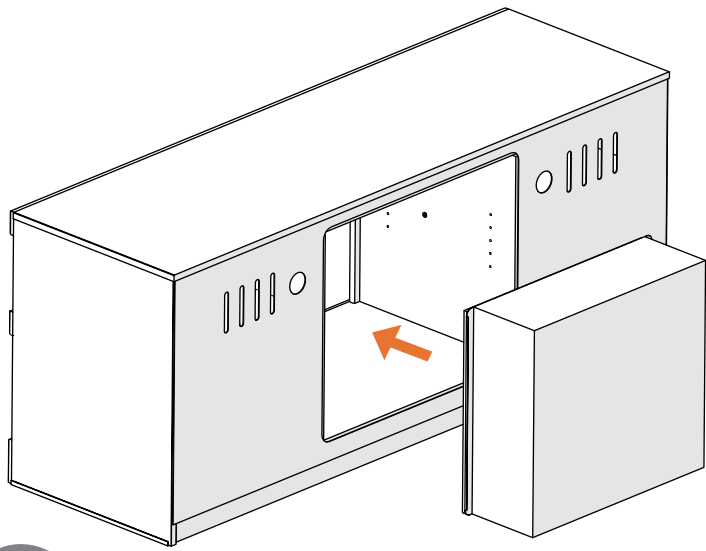
HARDWARE



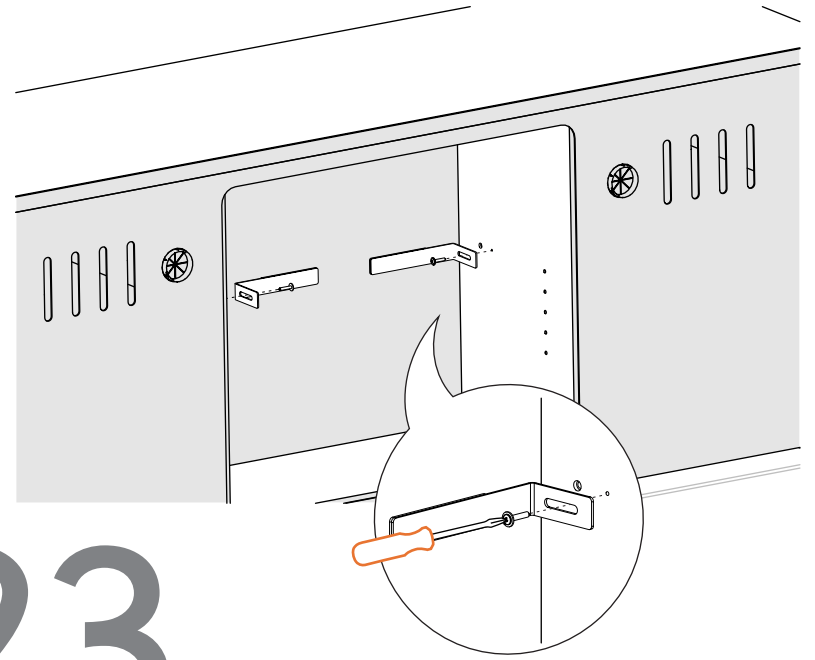
20



21



22

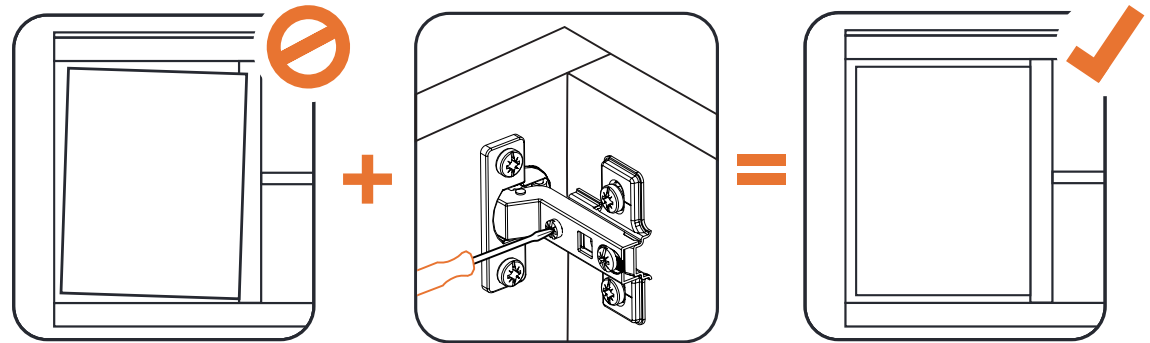


23

Hinge Adjustments

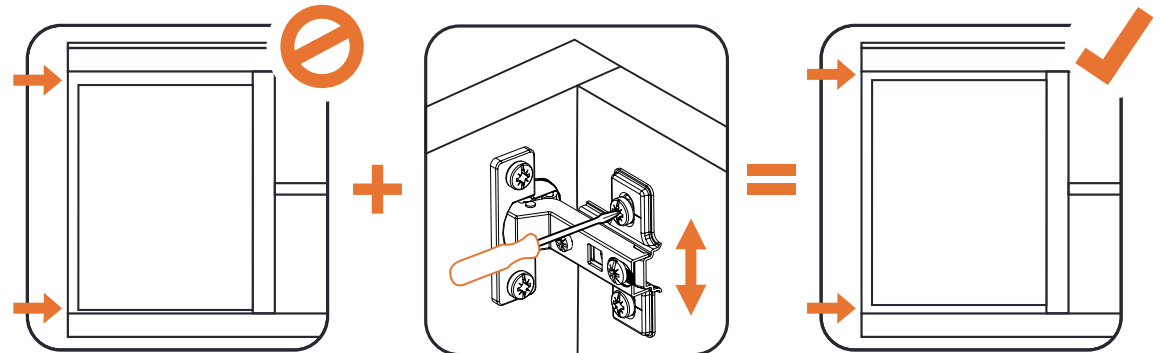
If door appears crooked:

Adjust screw as shown on top or bottom hinge until door is parallel with door frame



If door has an uneven gap:

Adjust screw as shown on top and bottom hinge to slide hinge up or down until the door gap on the top & bottom is even



If door is rubbing on the side:

Adjust screw as shown on top and bottom hinge to slide hinge forward or backward to increase or decrease the gap on the side

