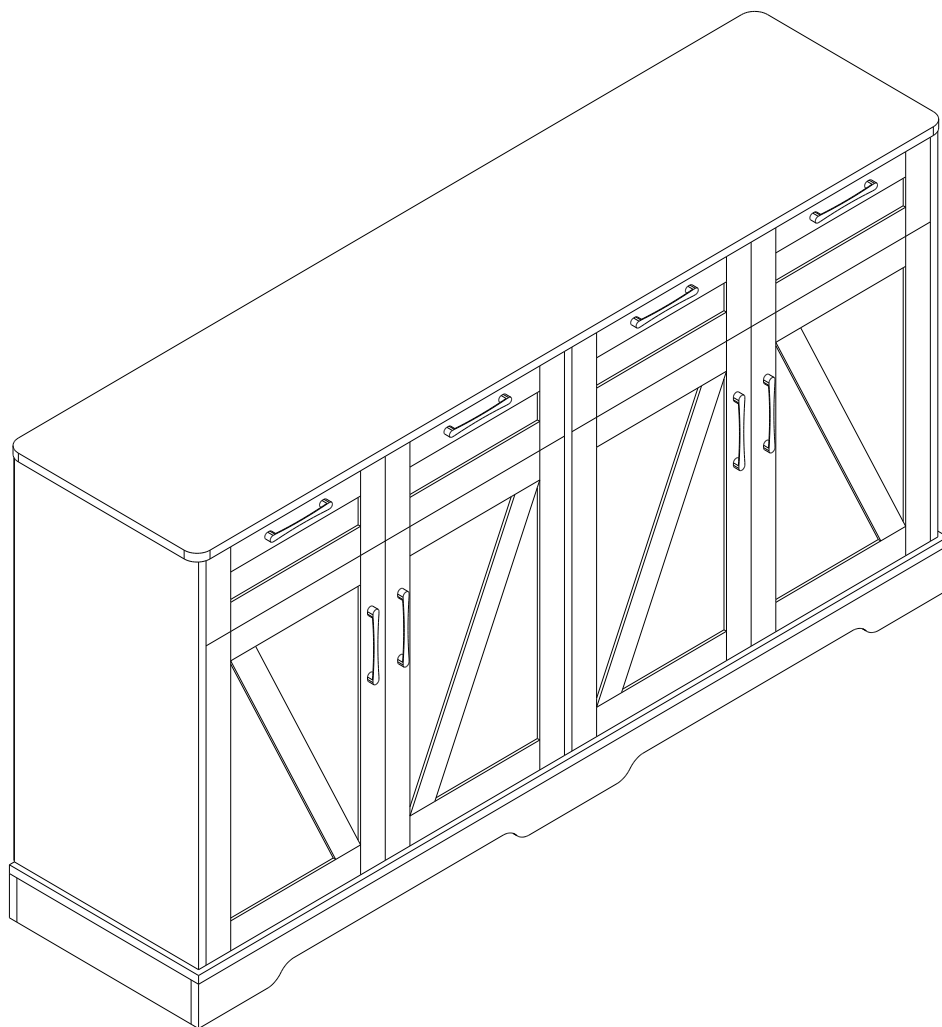
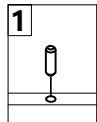


Assembly Instruction

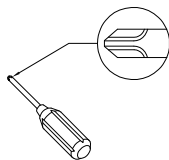


General Assembly Guidelines

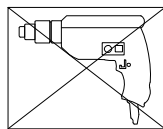
- I. Please ensure that all parts and hardware are available before assembly.
- II. Follow each step carefully to ensure the proper assembly of this product.
- III. For easy of assembly, two people are recommended to assemble this product.
- IV. The three main types of hardware are: wood dowels , screws and bolts.



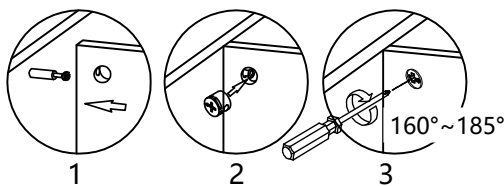
V. A Phillips head screwdriver is required for the assembly of this product.



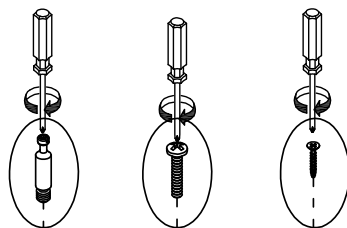
VI. Power tools should not be used when assemble this product.



VII. Steps for assembly of three-in-one screws.



IX. Screw fixation diagram for all fittings



① ×1 ② ×1

③ ×1 ④ ×1

⑤ ×2 ⑥ ×4

⑦ ×2 ⑧ ×1

⑨ ×1 ⑩ ×2

⑪ ×1 ⑫ ×1

⑬ ×4 ⑭ ×4

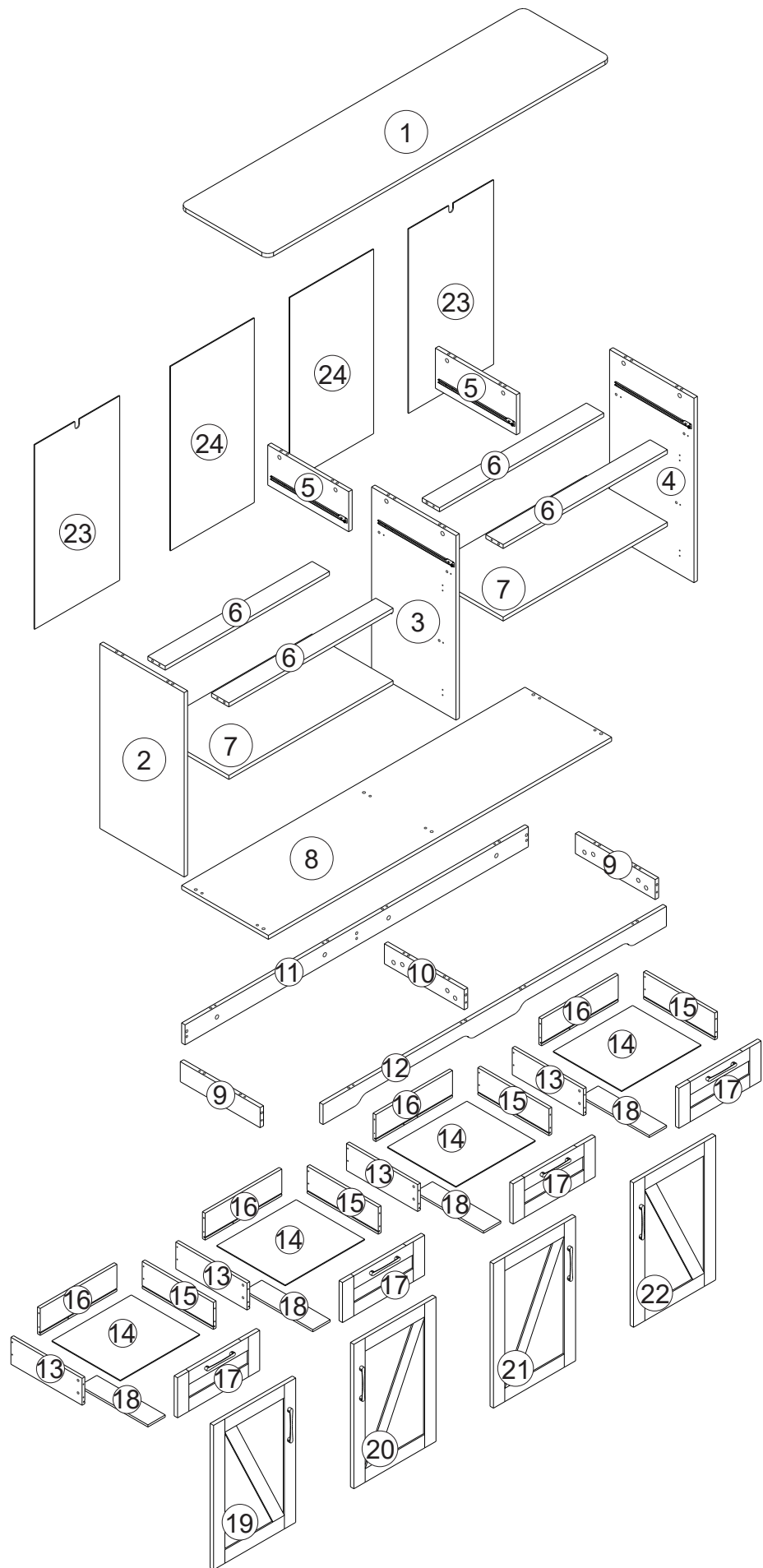
⑮ ×4 ⑯ ×4

⑰ ×4 ⑱ ×4

⑲ ×1 ⑳ ×1

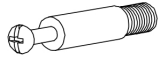
㉑ ×1 ㉒ ×1

㉓ ×2 ㉔ ×2



HARDWARE

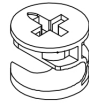
[x54+5]
[x32+2]



(A)

M6×35
M6×28

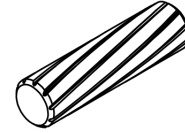
[x86+7]



(B)

12×8

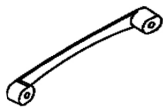
[x54+5]



(C)

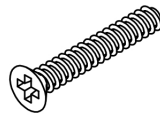
8×30

[x8]



(D)

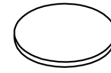
[x16]



(E)

4×18

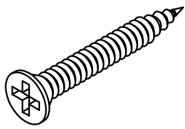
[x50+5]



(F)

Ø20x0.1

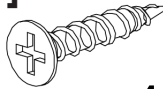
[x18+2]



(G)

4×25

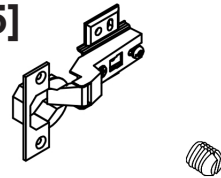
[x48+5]
[x60+5]



(H)

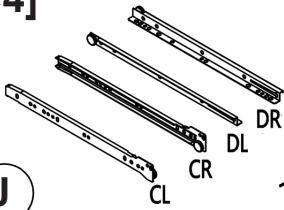
4×12
4×14

[x8]
[x32+5]



(I)

[x4]



(J)

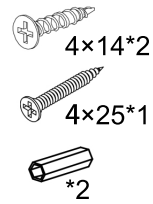
12"

[x2]



(K)

15×60×30



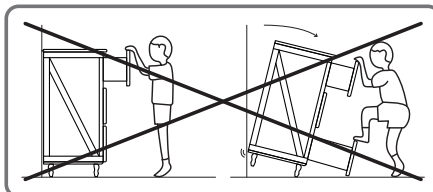
4×14*2

4×25*1

*2

ANTI-TIP WARNING!

Overtipping furniture can cause serious or fatal crushing injuries. To reduce the risk of tipping, always use the wall attachment provided with this product.



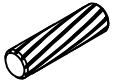
STEP#1



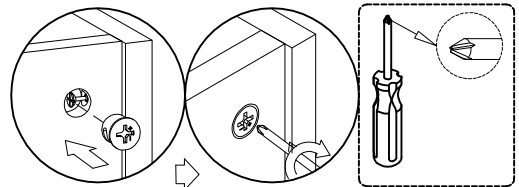
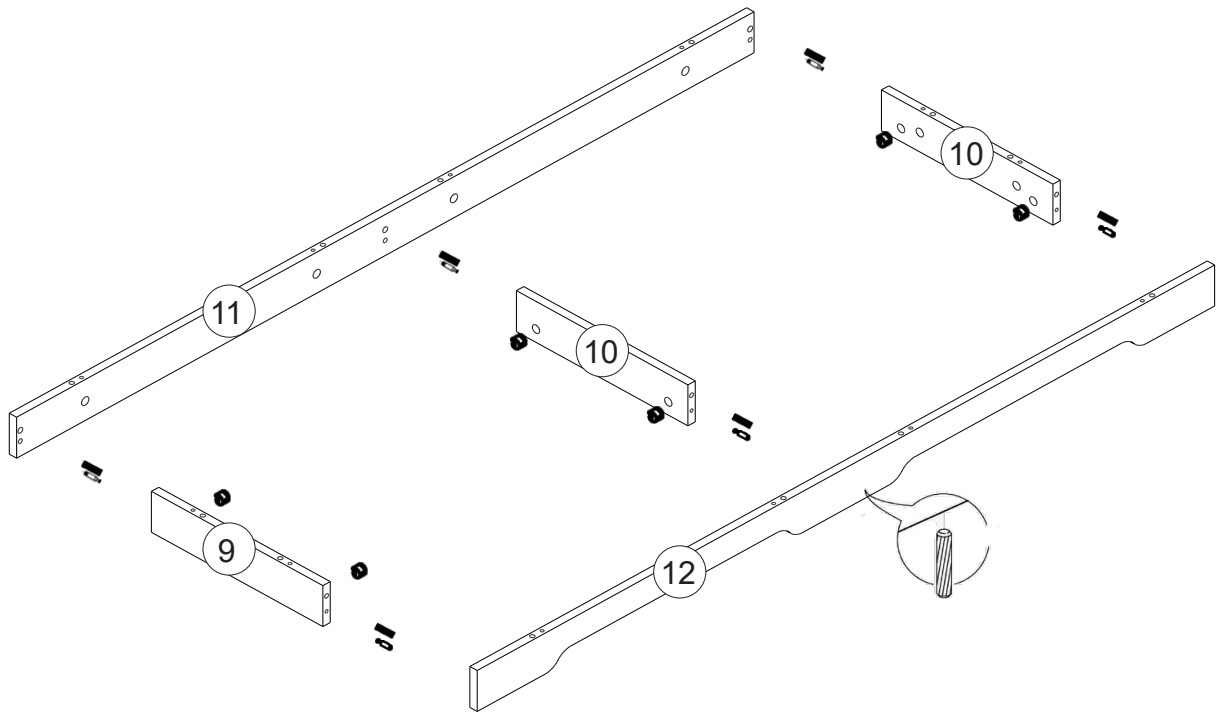
A×6 [6×35]



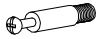
B×6



C×6



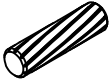
STEP#2



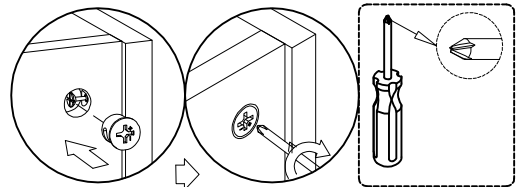
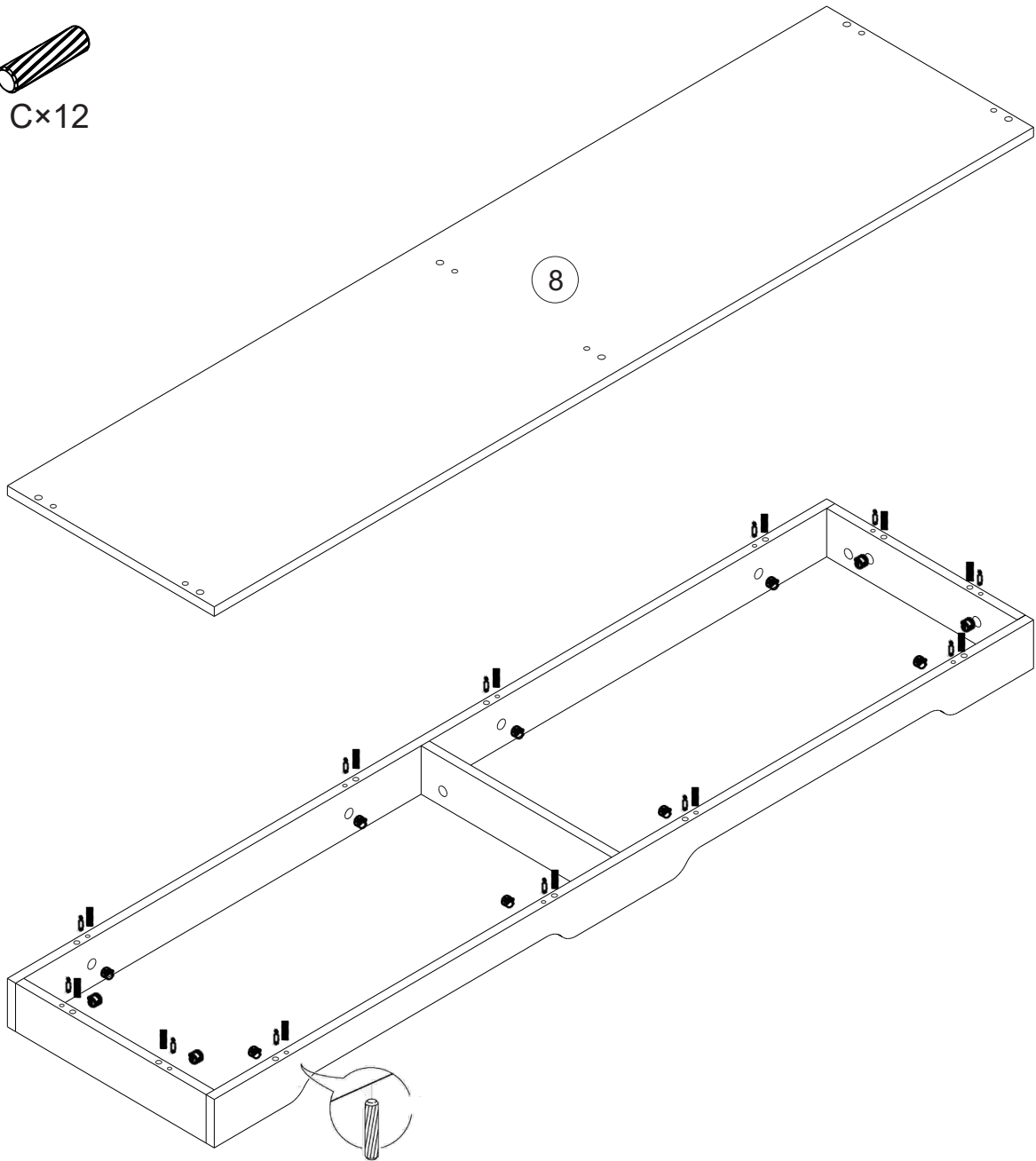
A×12 [6×35]



B×12

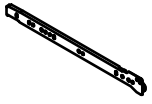


C×12

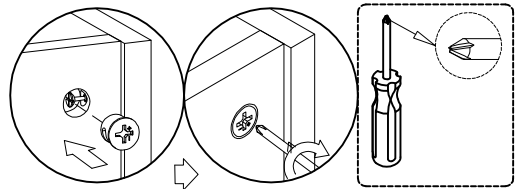
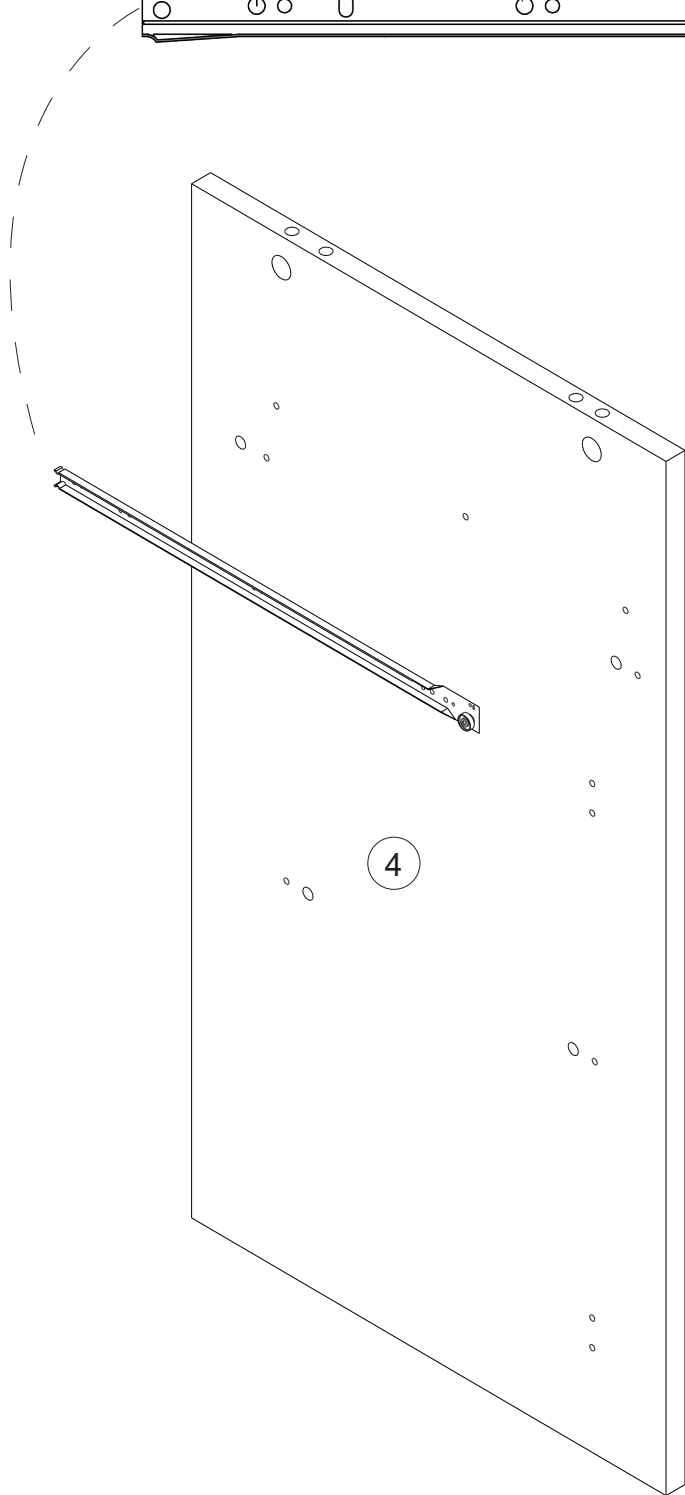
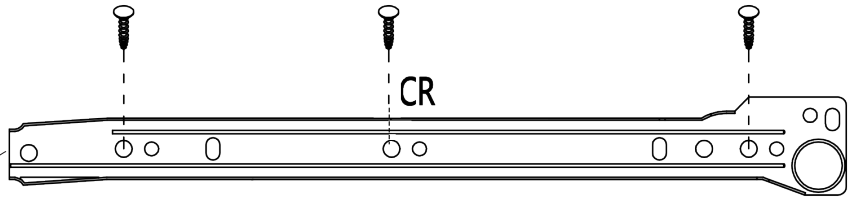


STEP#3

H×3 [4×12]



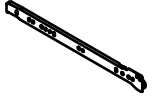
JCR×1



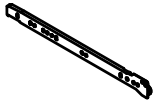
STEP#4



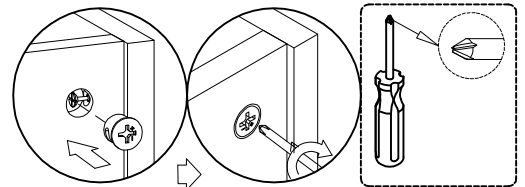
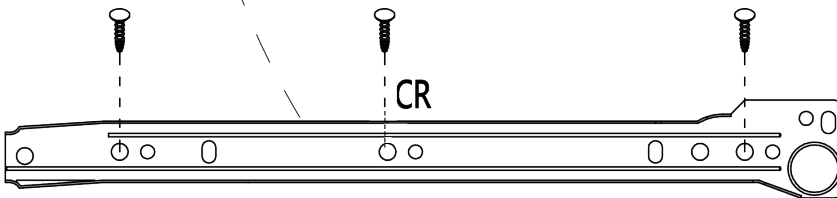
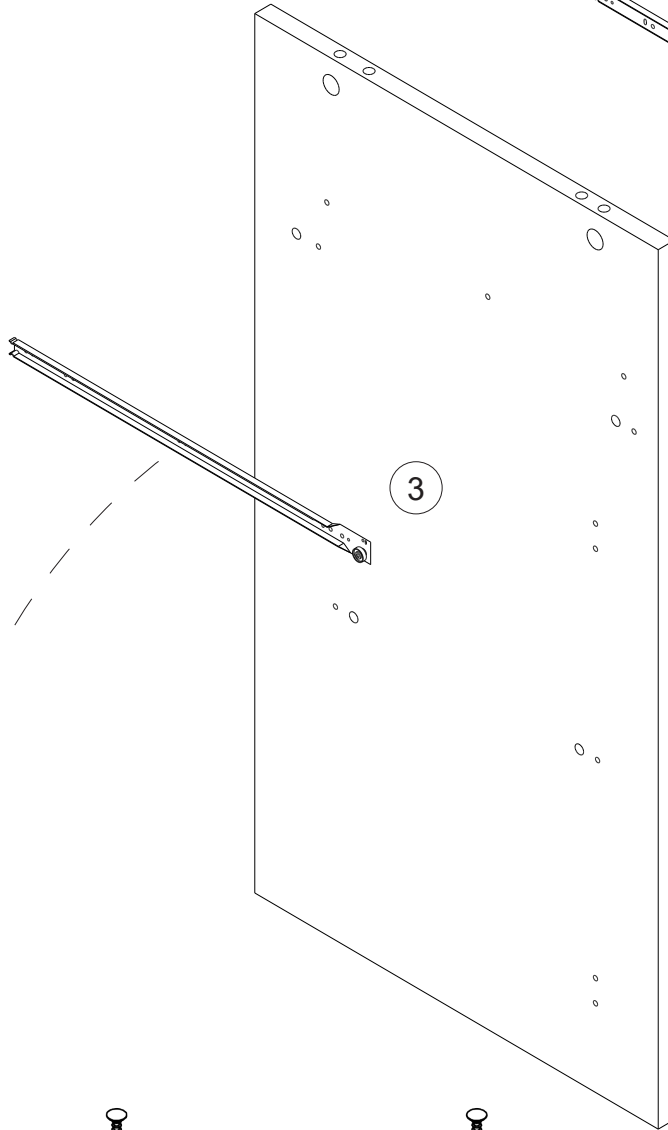
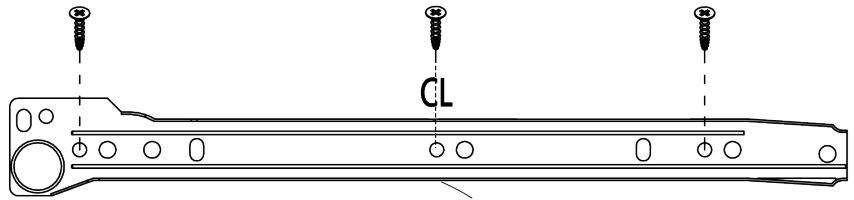
H×6 [4×12]



JCR×1



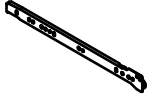
JCL×1



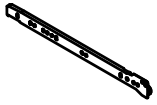
STEP#5



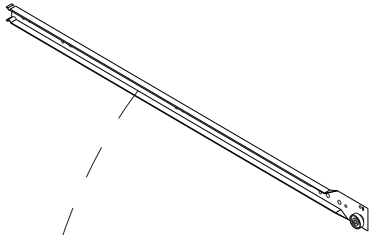
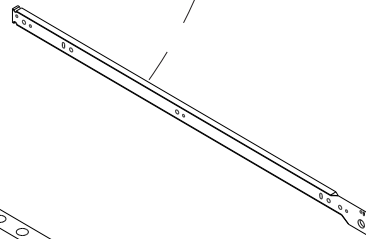
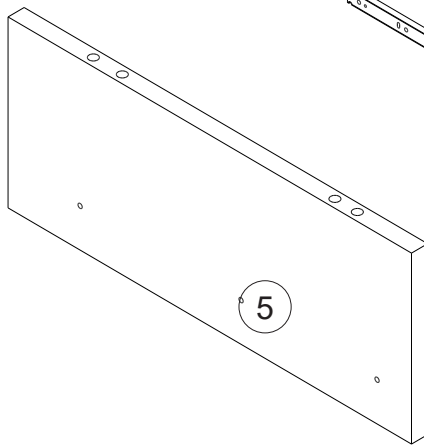
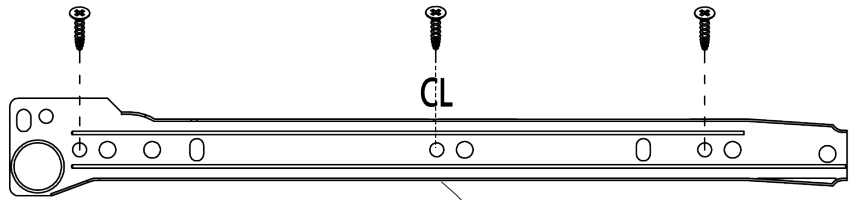
H×12 [4×12]



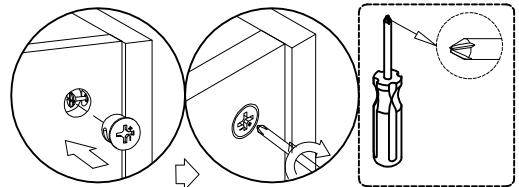
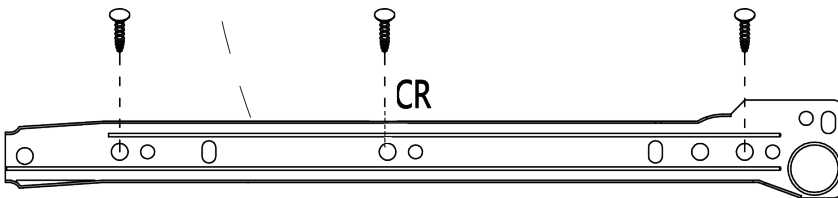
JCR×2



JCL×2

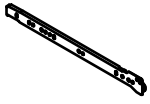


×2

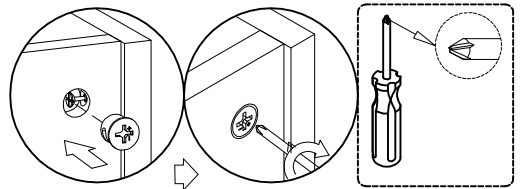
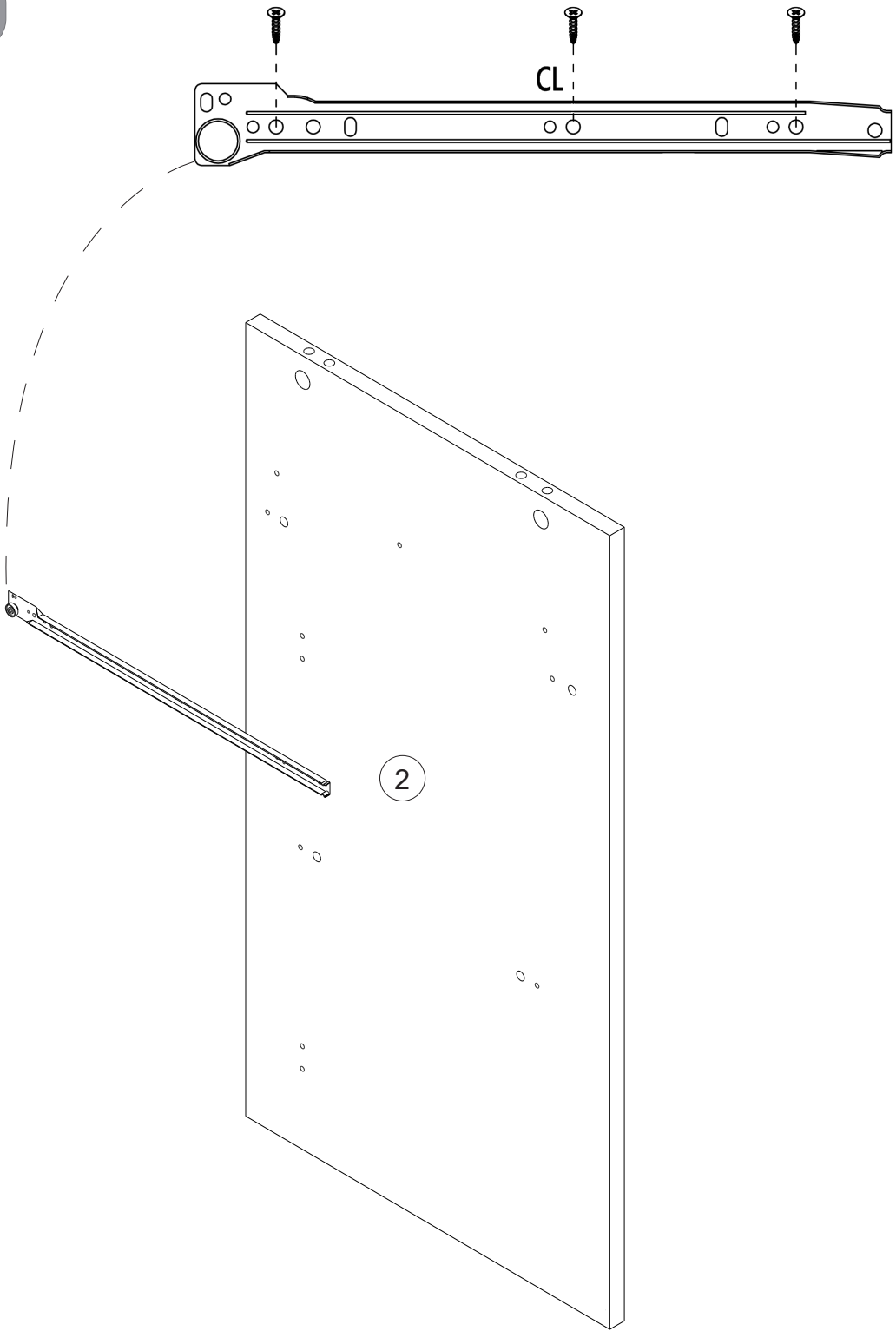


STEP#6

H×3 [4×12]



JCL×1



STEP#7



A×20 [6×35]



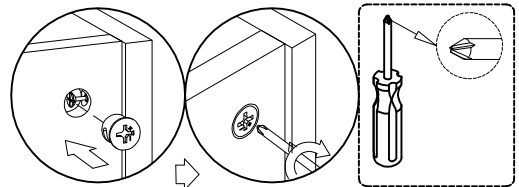
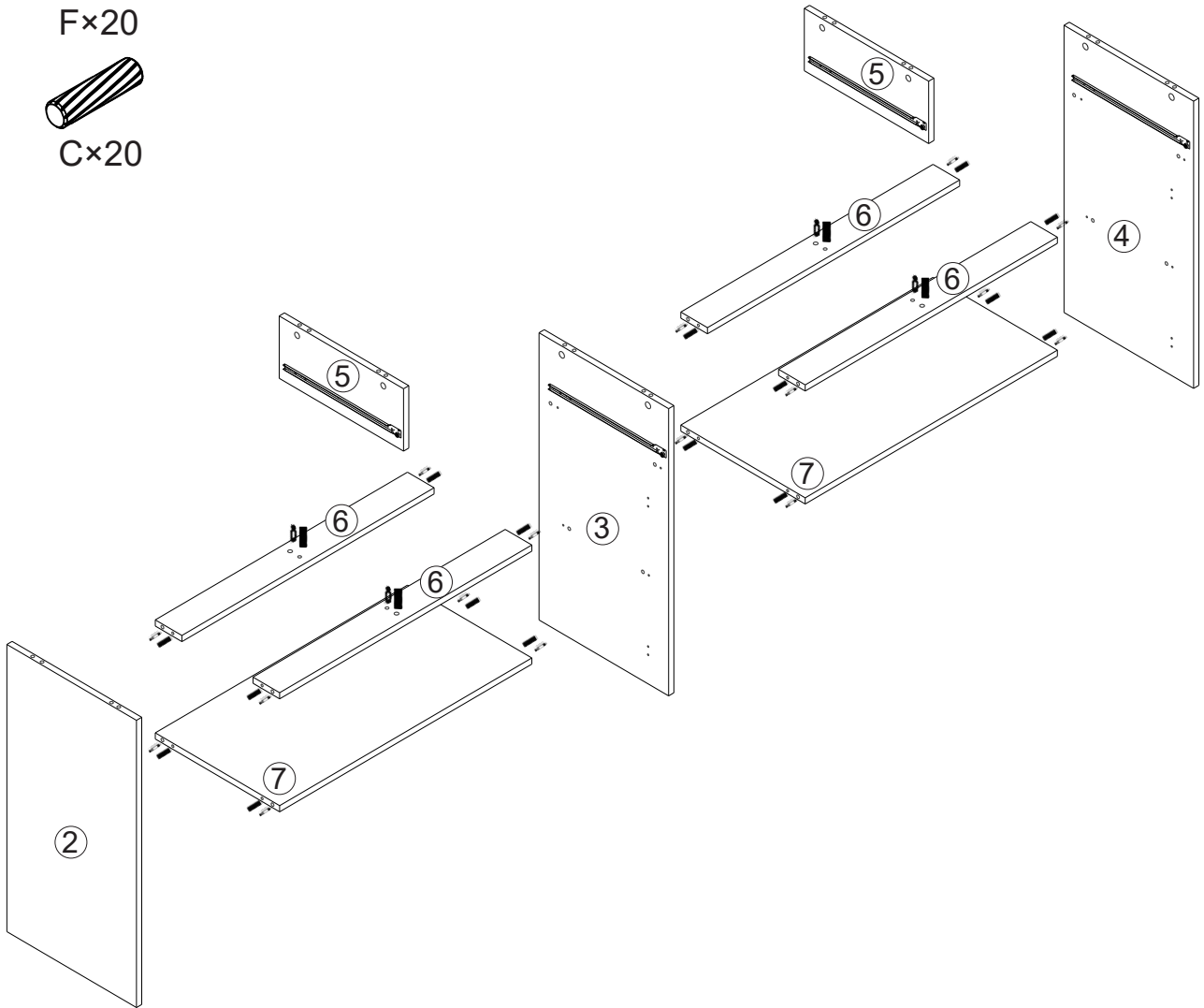
B×20



F×20



C×20



STEP#8



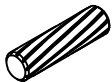
A×6 [6×35]



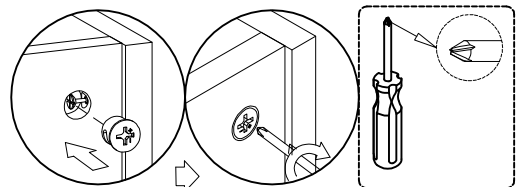
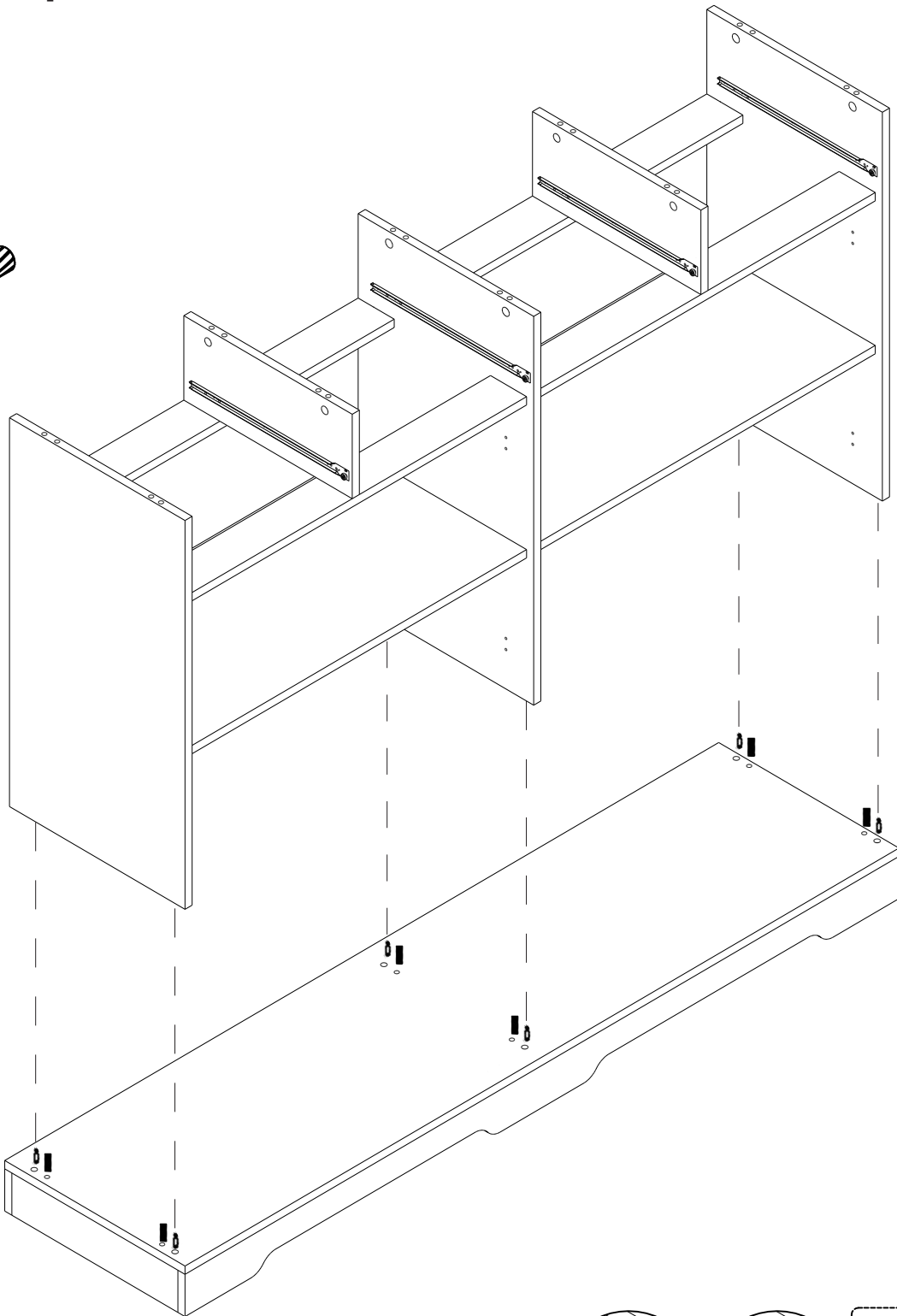
B×6



F×6



C×6



STEP#9



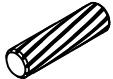
A×10 [6×35]



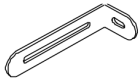
B×10



F×10



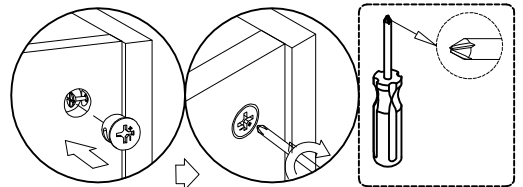
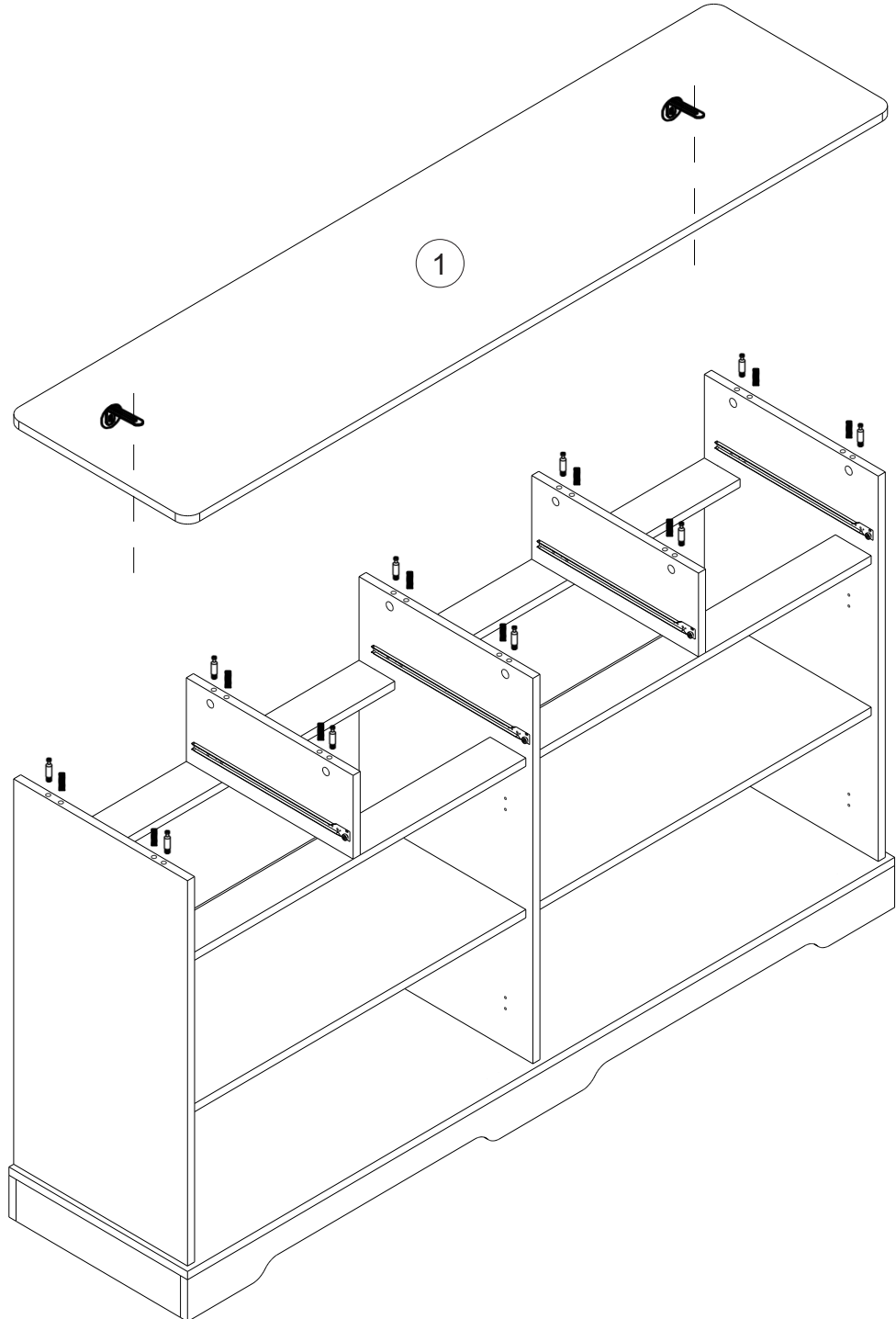
C×10



K×2



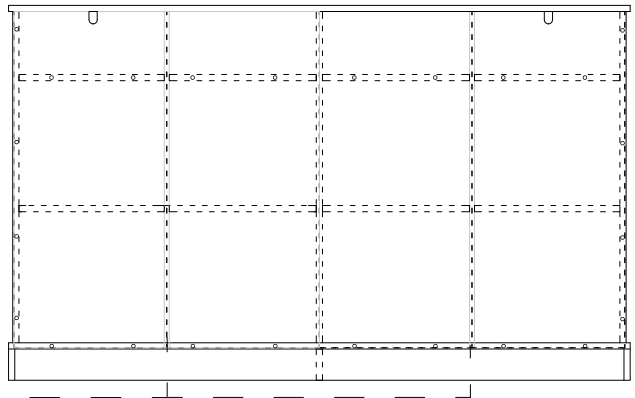
H×2 [4×14]



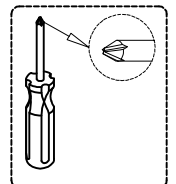
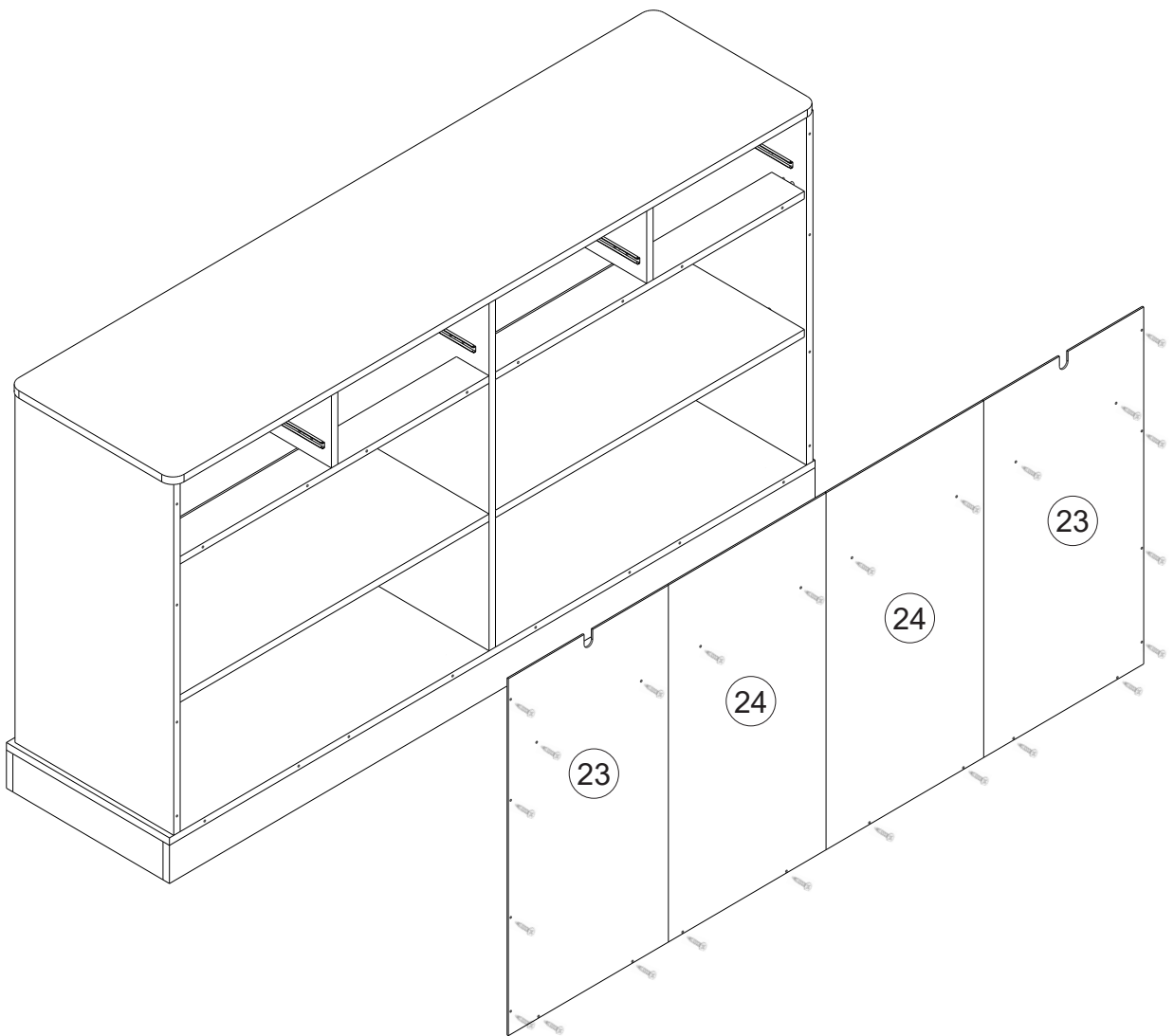
STEP#10



H×24 [4×14]



The back panels are connected using tape.



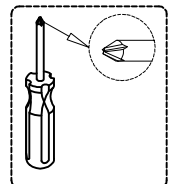
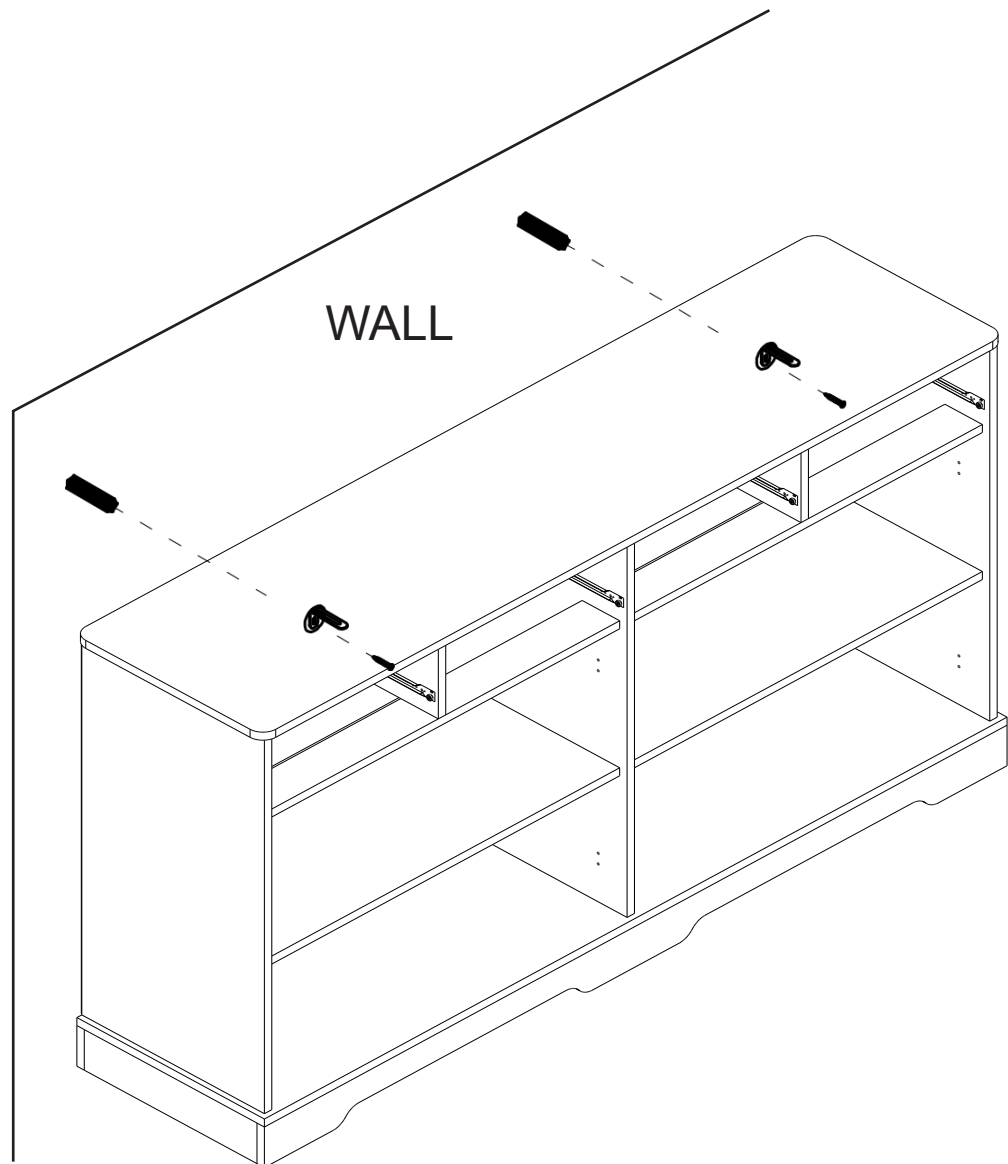
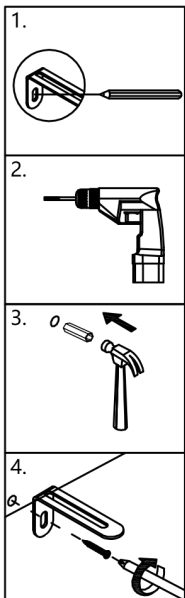
STEP#11

Install anti-tipping device as shown:

1. Drill a hole in the wall with a power drill so that the bolt N2 can fit in.
2. Take the bolt N2 from the expansion screw
3. Insert the bolt N2 into the hole, the bolt should be plugged to the bottom of the hole, so that it can be fixed firmly.
4. Align metal connector N1 with the hole, and insert screw N3 through N1 to secure the bolt, Screw all the screws into the bolt, so that an expansion screw is installed.



K&G×2

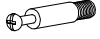


STEP#12

x4



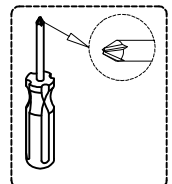
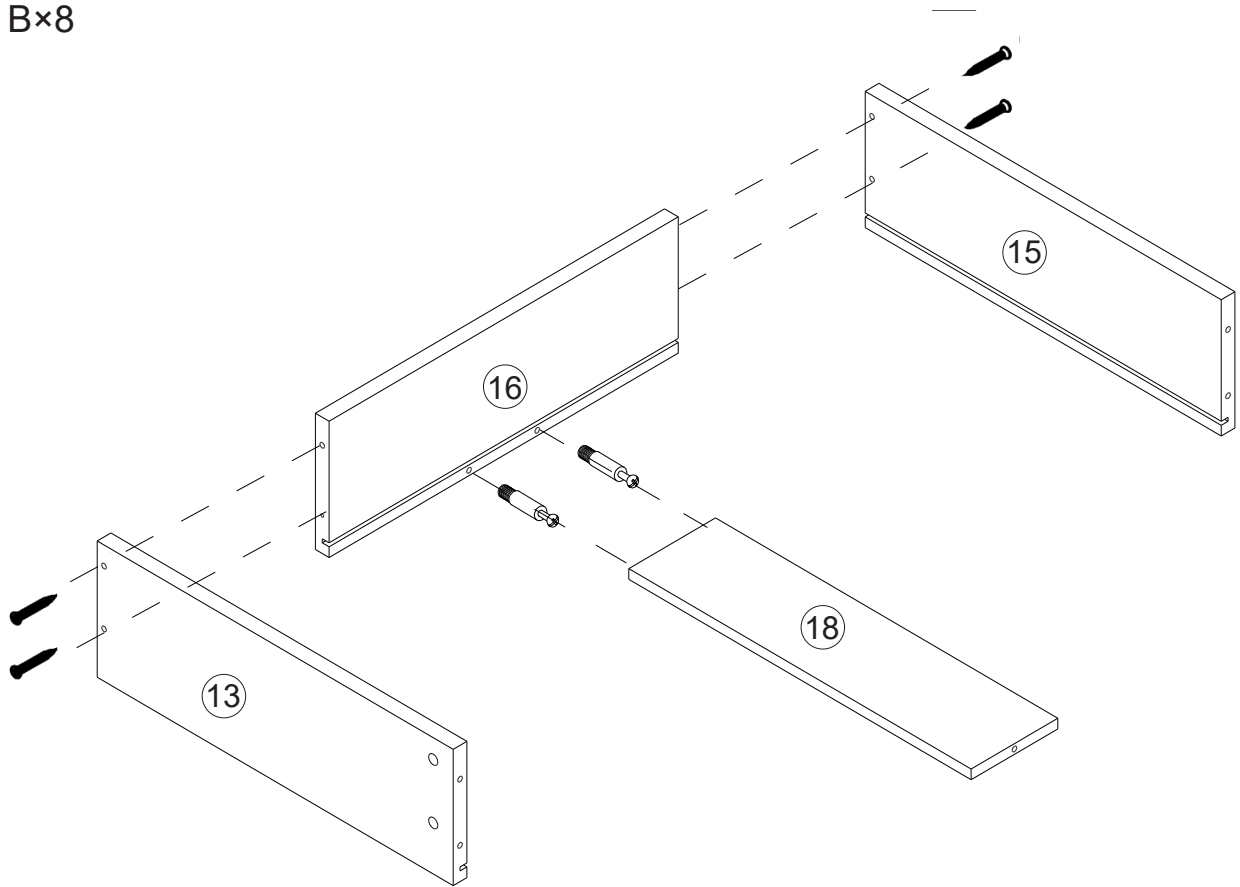
G×16 [4×25]



A×8 [6×28]

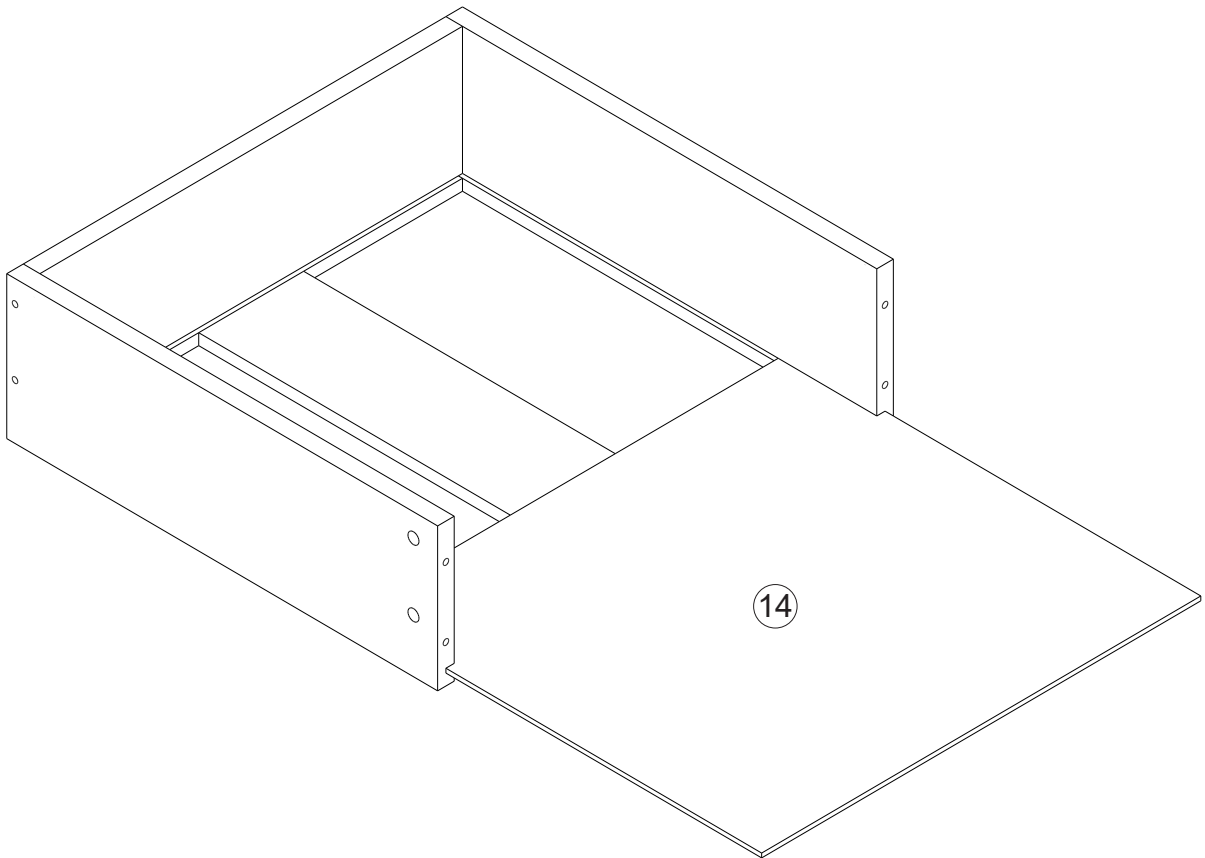


B×8



STEP#13

x4



STEP#14

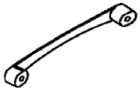
x4



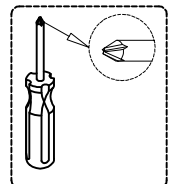
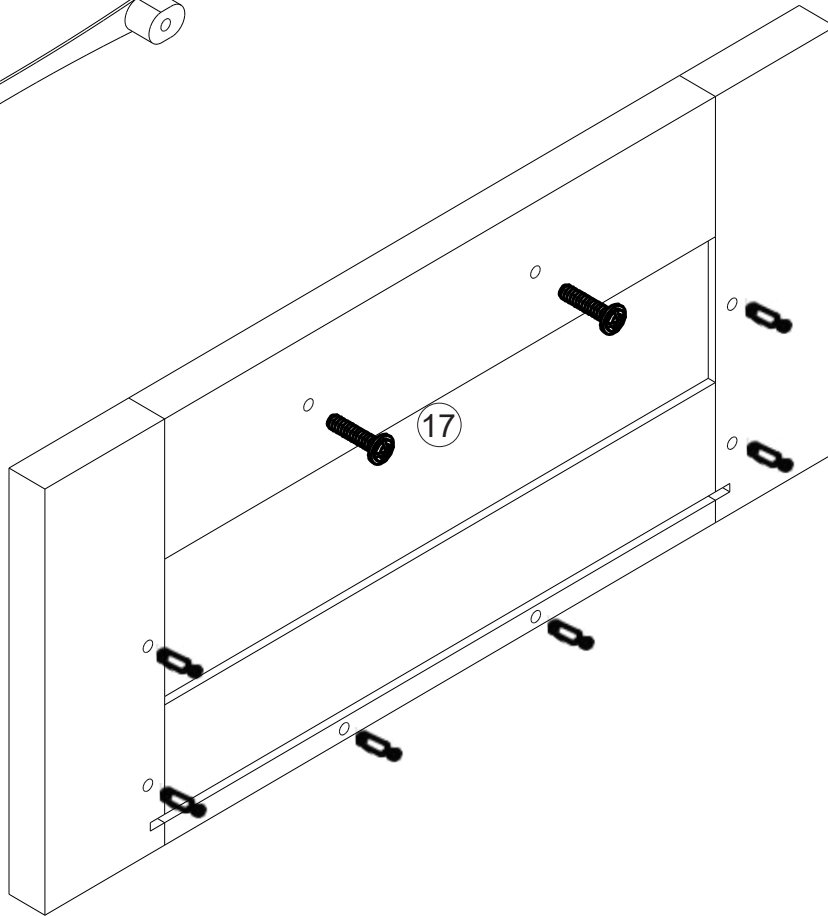
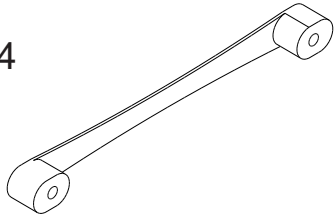
A×20 [6×28] B×20



H×8 [4×12] F×20



D×4

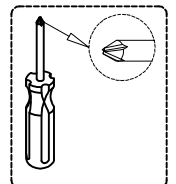
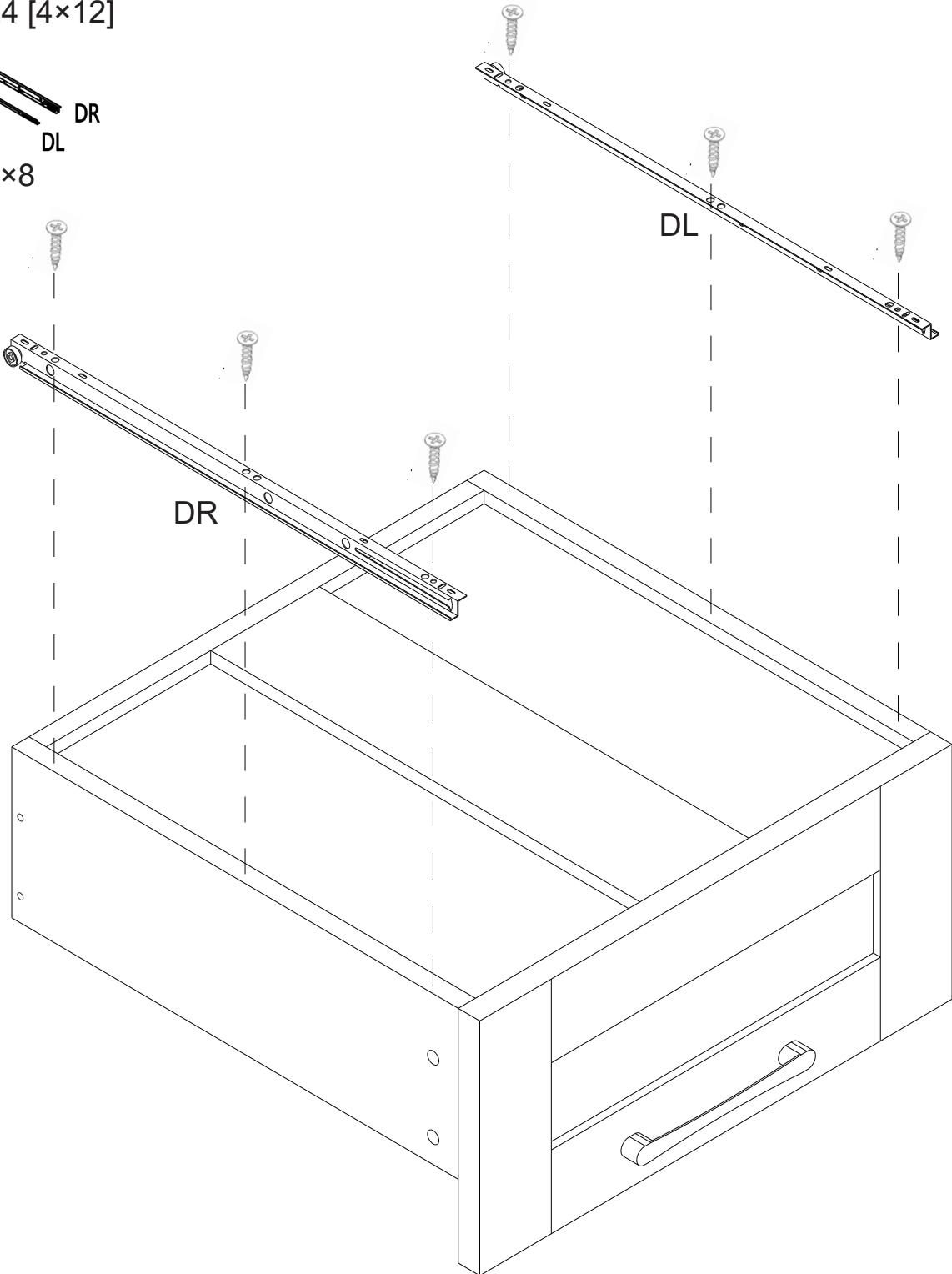


STEP#15

x4

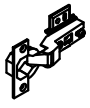
H×24 [4×12]

DR
DL
J×8



STEP#16

x4



Ix8



Hx16 [4x14]



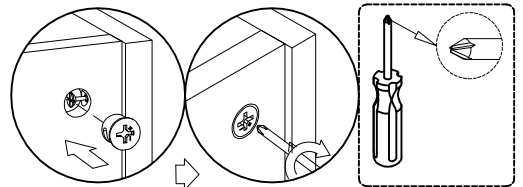
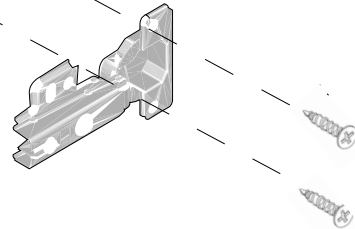
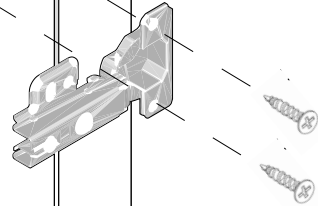
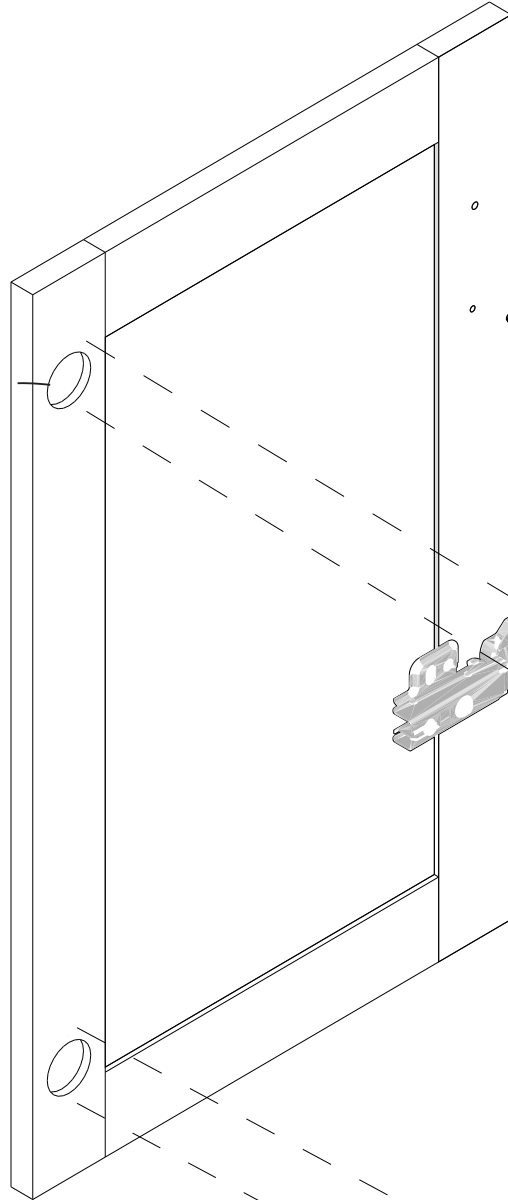
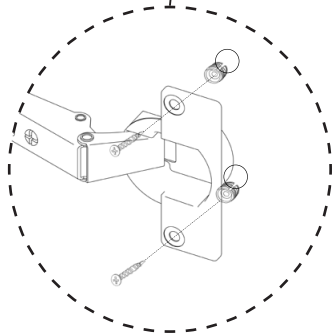
Dx4



Ex8



Ix16



STEP#17

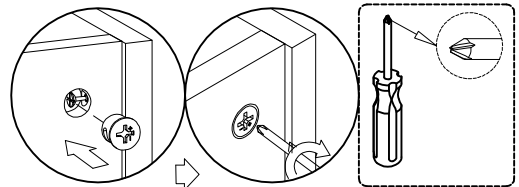
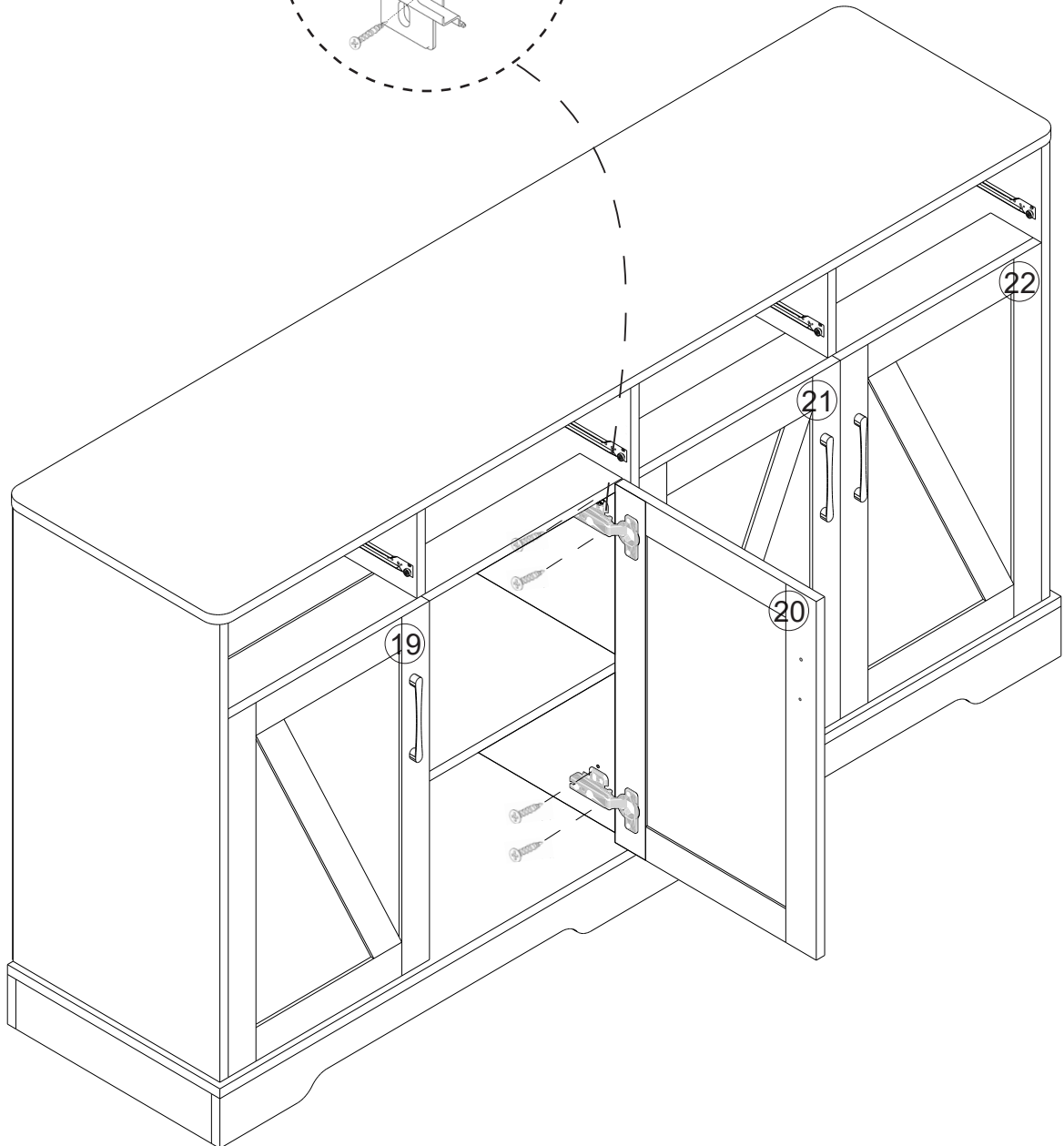
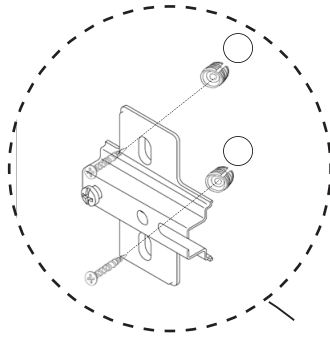
x4



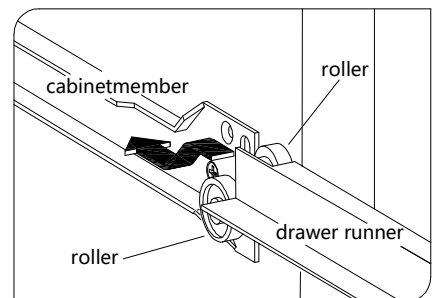
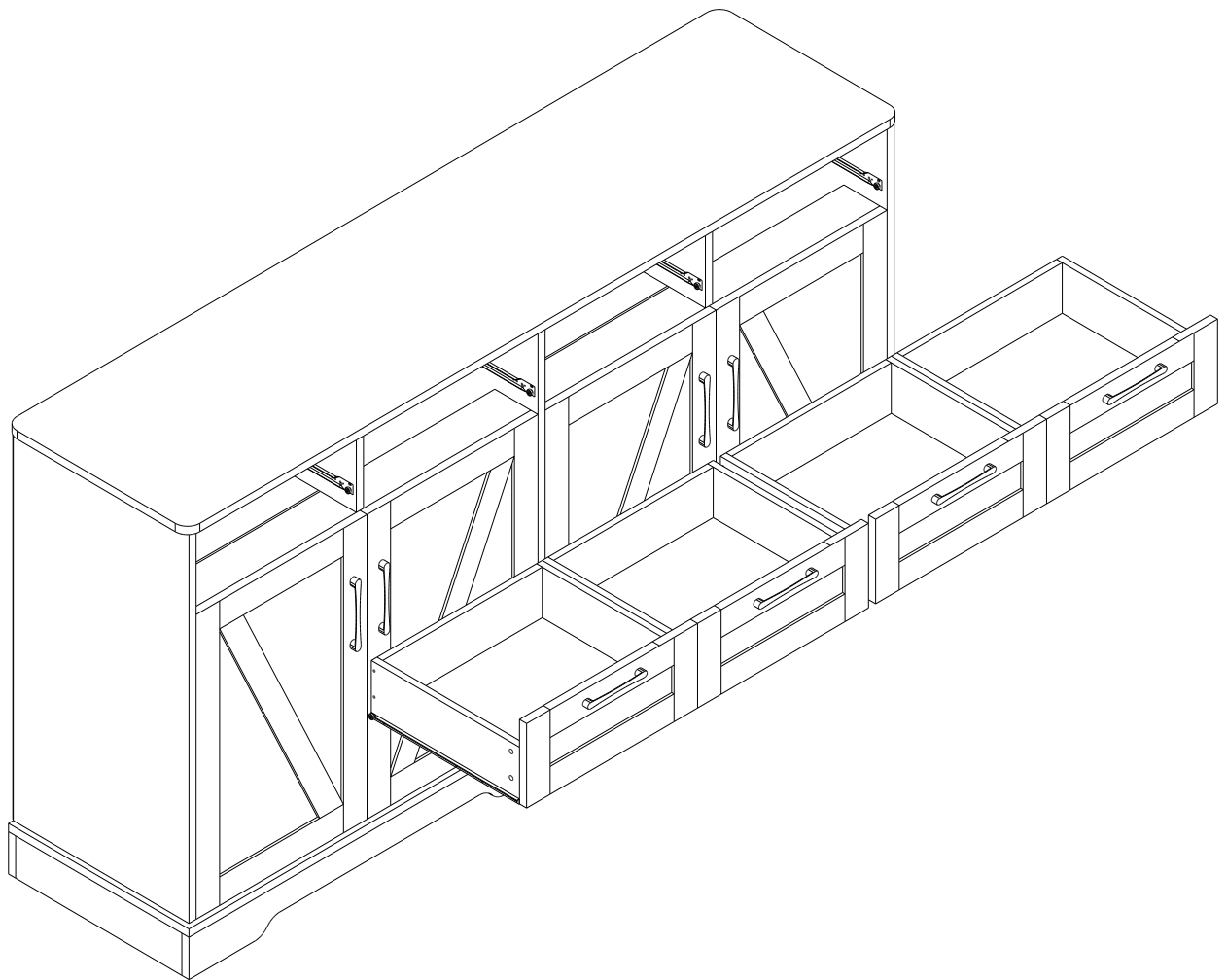
H×16 [4×14]



I×16

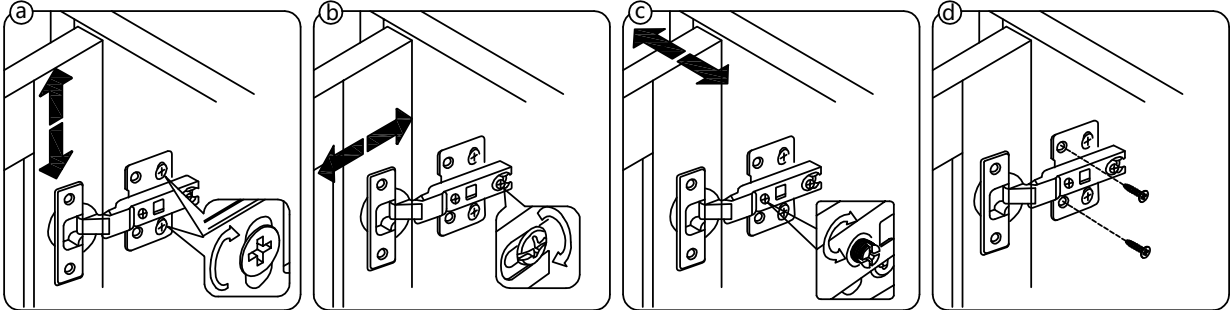


STEP#18



STEP#19

When the hinges are installed, you can refer to the pictures to adjust crevice of the doors till it's perfect.



1. To adjust the doors up and down, please refer to step(a)
2. To adjust the distance between the doors and side panels, please refer to step(b)
3. To adjust the gap between two doors, please refer to step(c)

