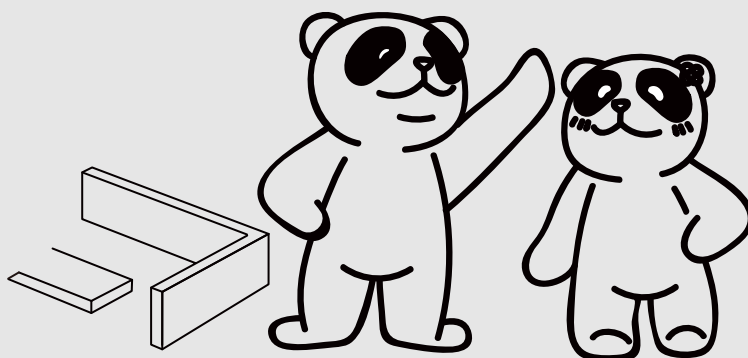
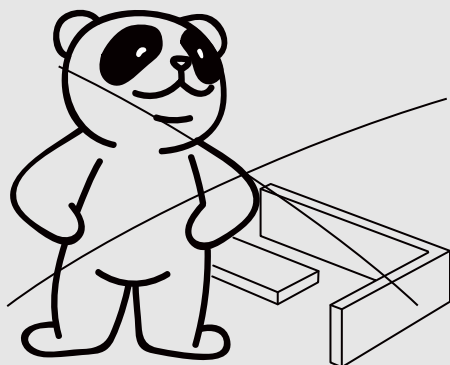


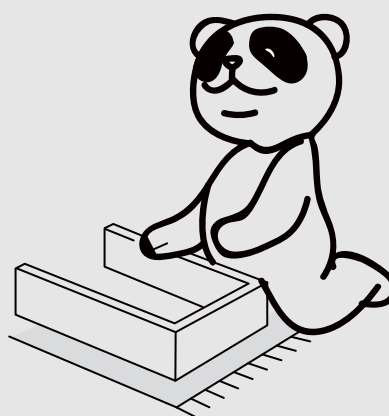
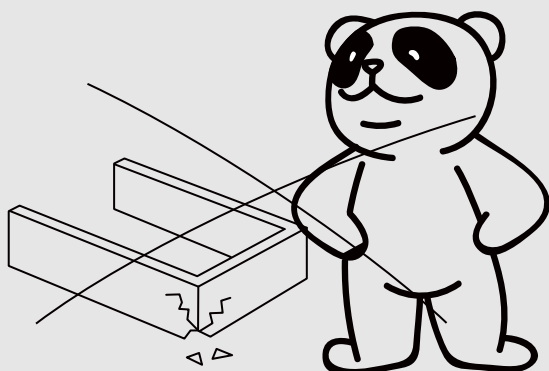
Installation instruction

Note before installation

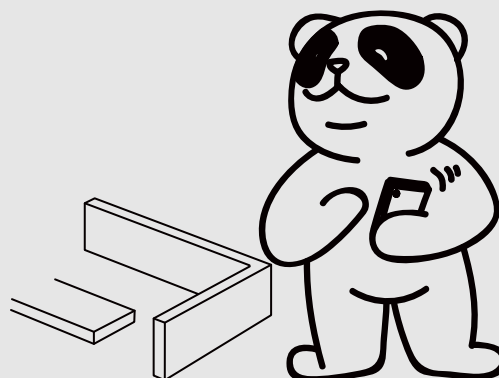
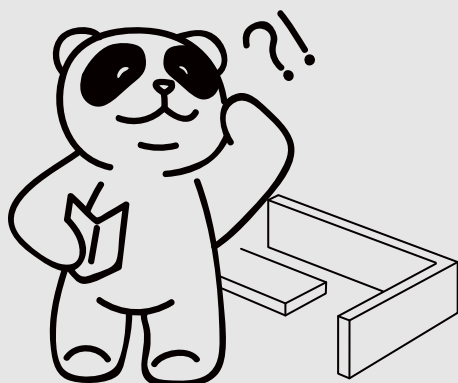
Ask your partner to help with the installation



Be careful to break

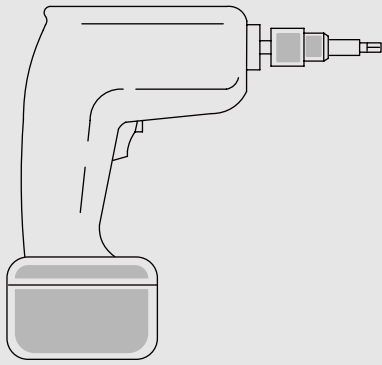


Don't understand the instructions, call for help

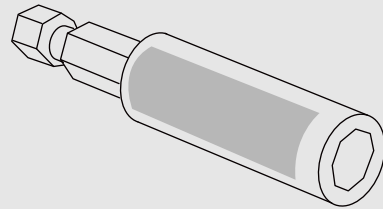


Preparation & Tools

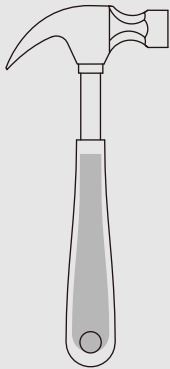
01 Electric drill



02 Electric drill



03 Hammer



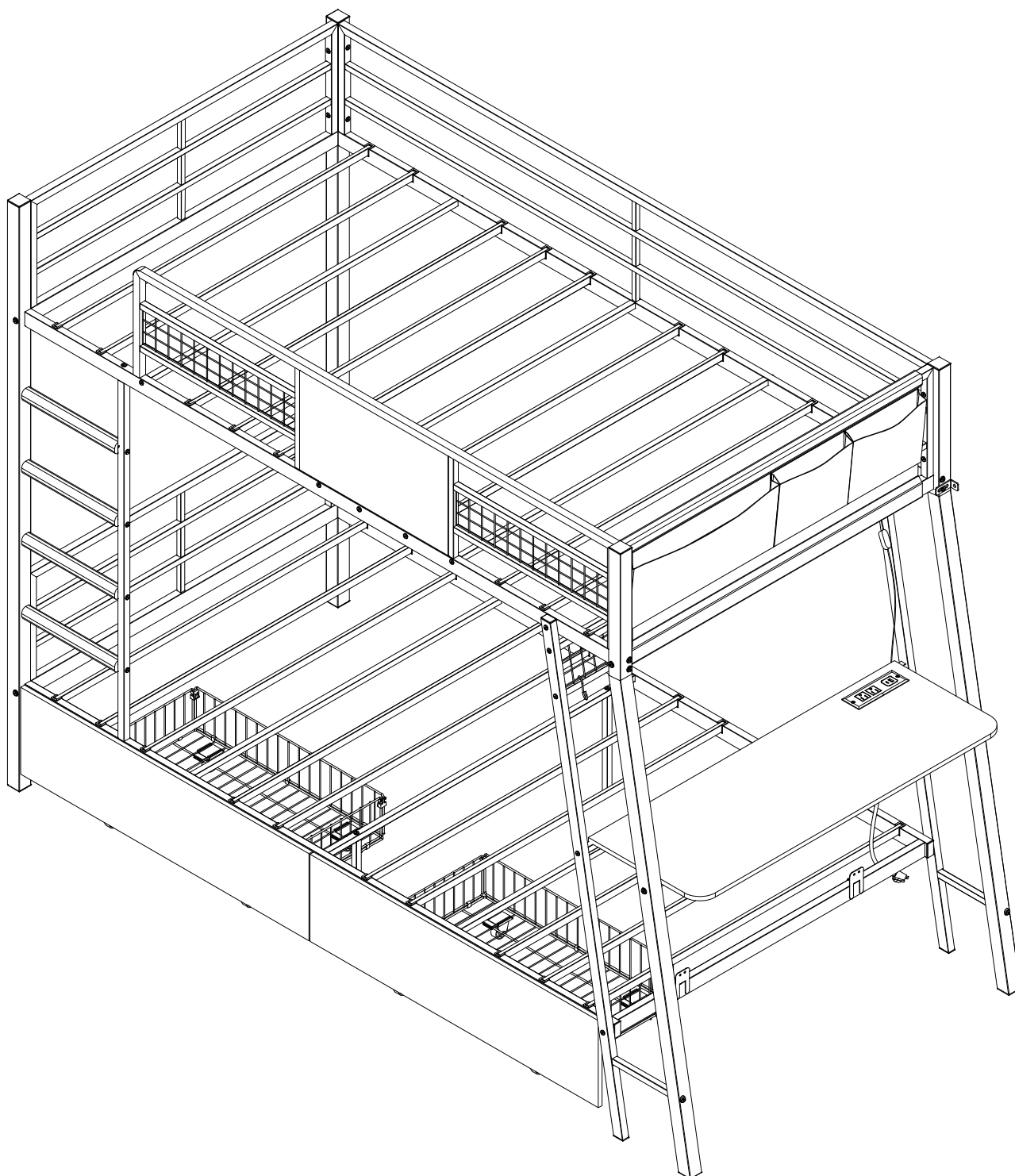
04 Screwdriver



05 Pencil



bunk bed



Install parts

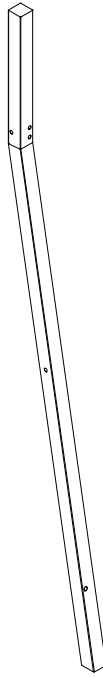
PARTS LIST



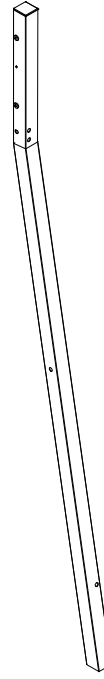
1 x1



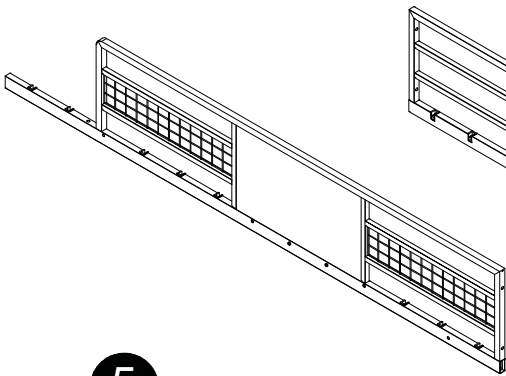
2 x1



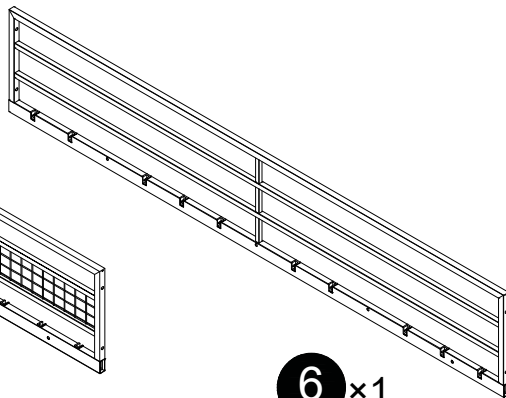
3 x1



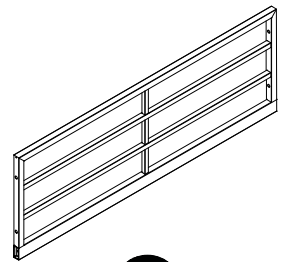
4 x1



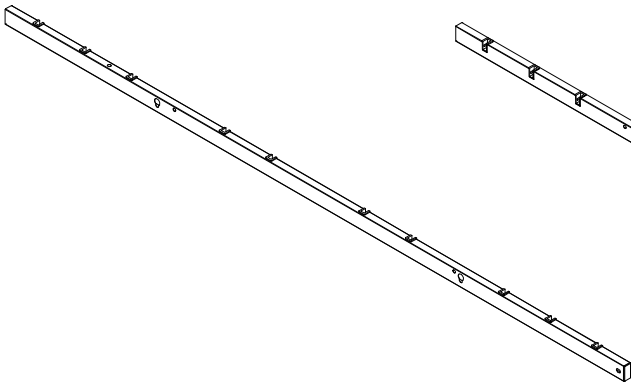
5 x1



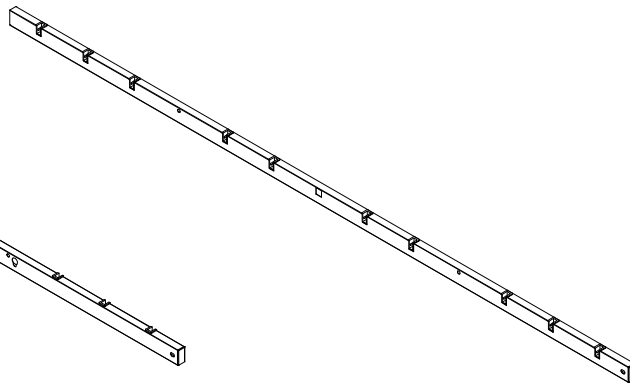
6 x1



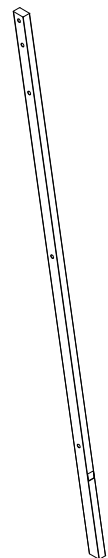
7 x3



8 x1



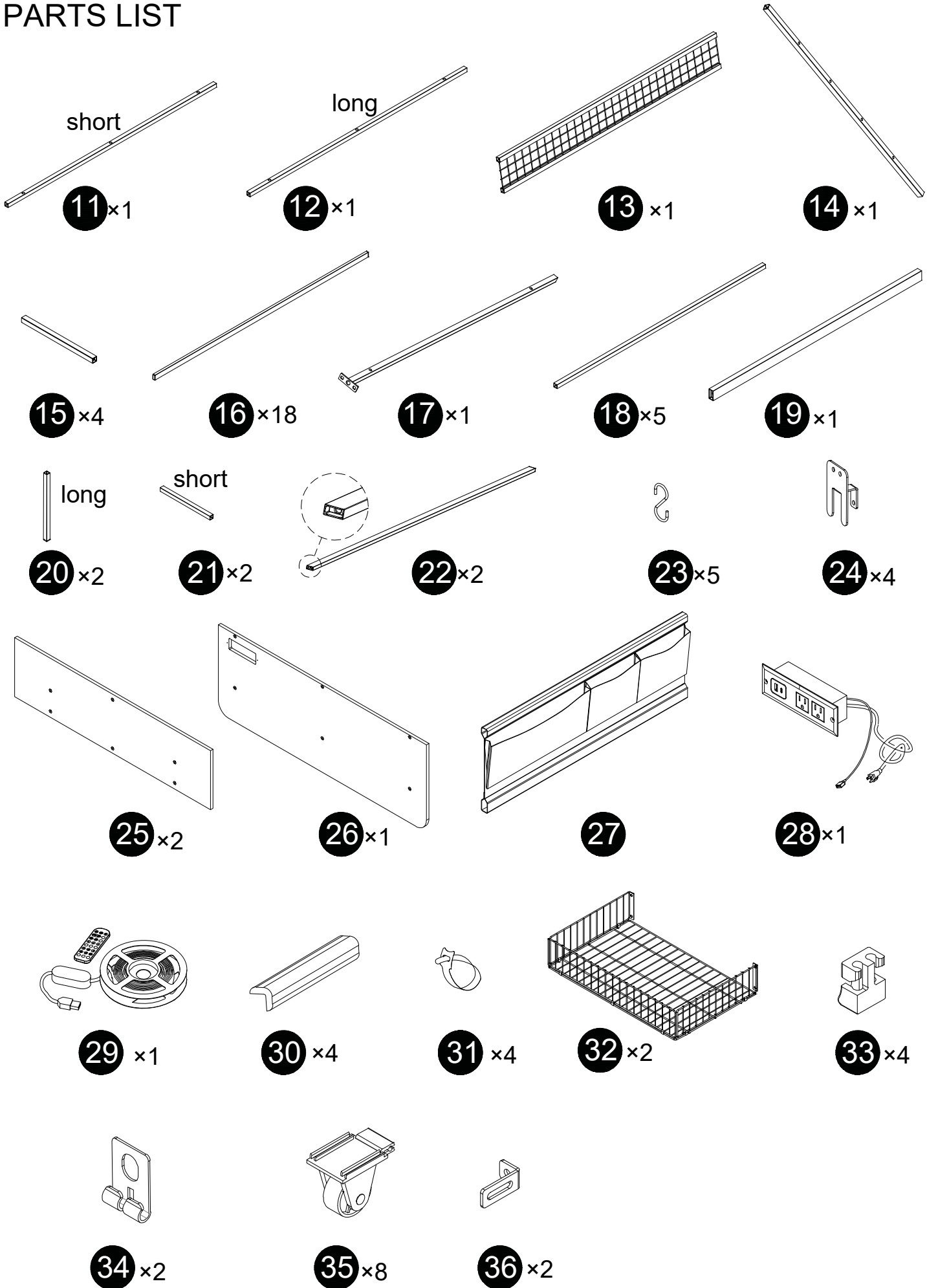
9 x1



10 x2

Install parts

PARTS LIST

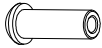


HARDWARE LIST



A

M4*12
x2+1



B

M6*15
x2+1



C

M6*10
x10+1



D

M6*15
x2+1



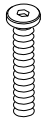
E

M6*25
x14+1



F

M6*35
x44+4



G

M6*60
x24+2



H

M6
x24+2



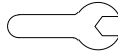
I

4#
x2



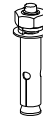
J

4#
x1



K

4#
x1



L

M6*75
x2

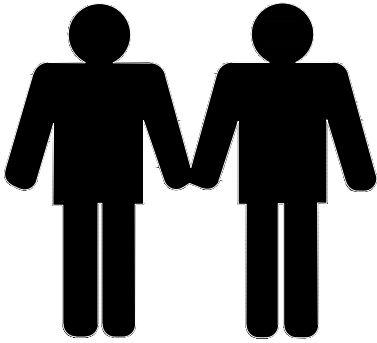


M

M6*15
x3+1

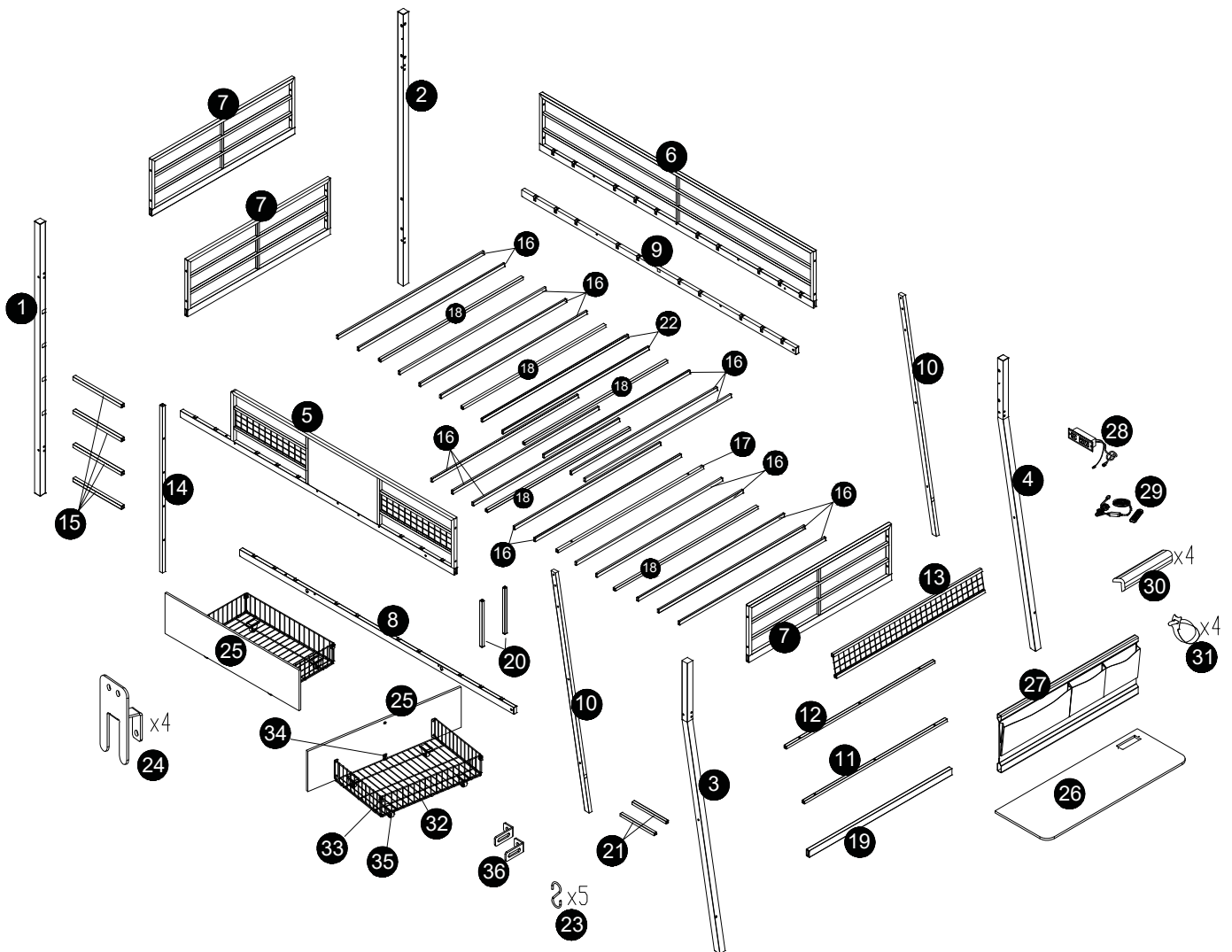
Note:

- 1, Should be assembled on flat ground to keep balance.
2. Before completing the installation, do not tighten the screws.



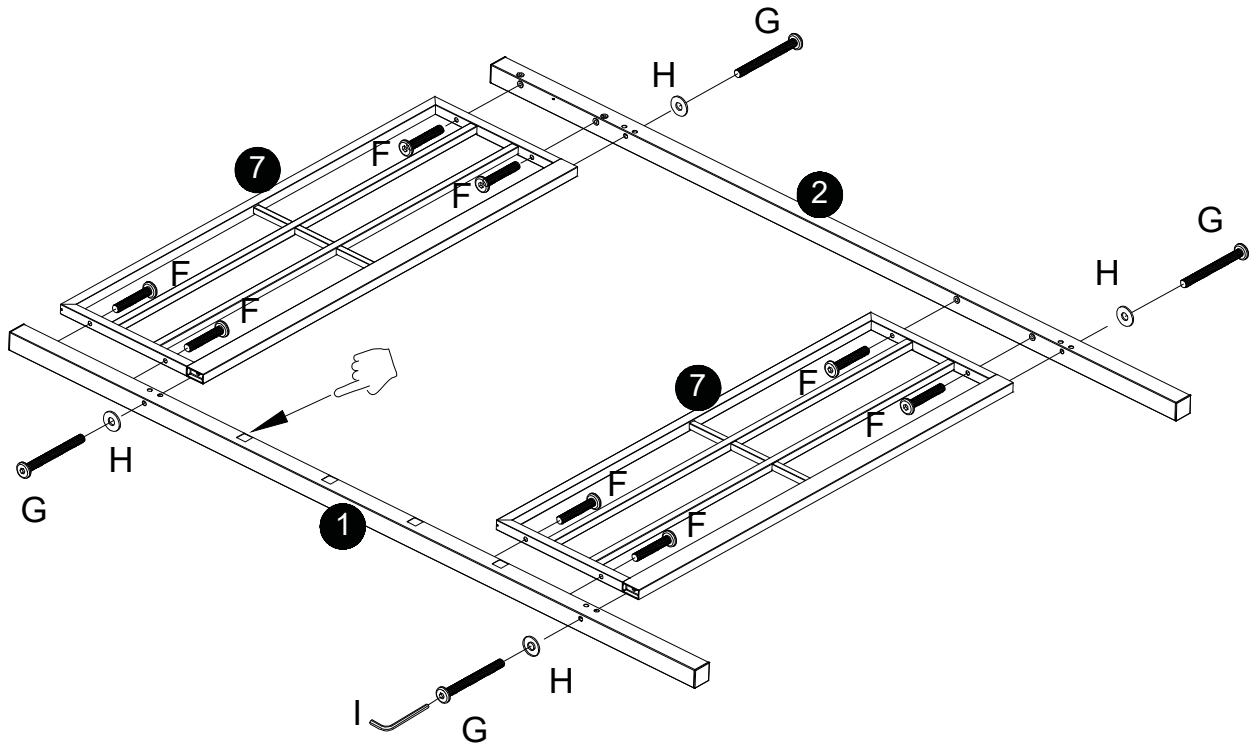
Before starting the assembly ,
you must read the whole manual
and follow the instructions .

It needs at least
two people to install



1


Please pay attention to the direction of the hole position.




G M6*60
x4




F M6*35
x8

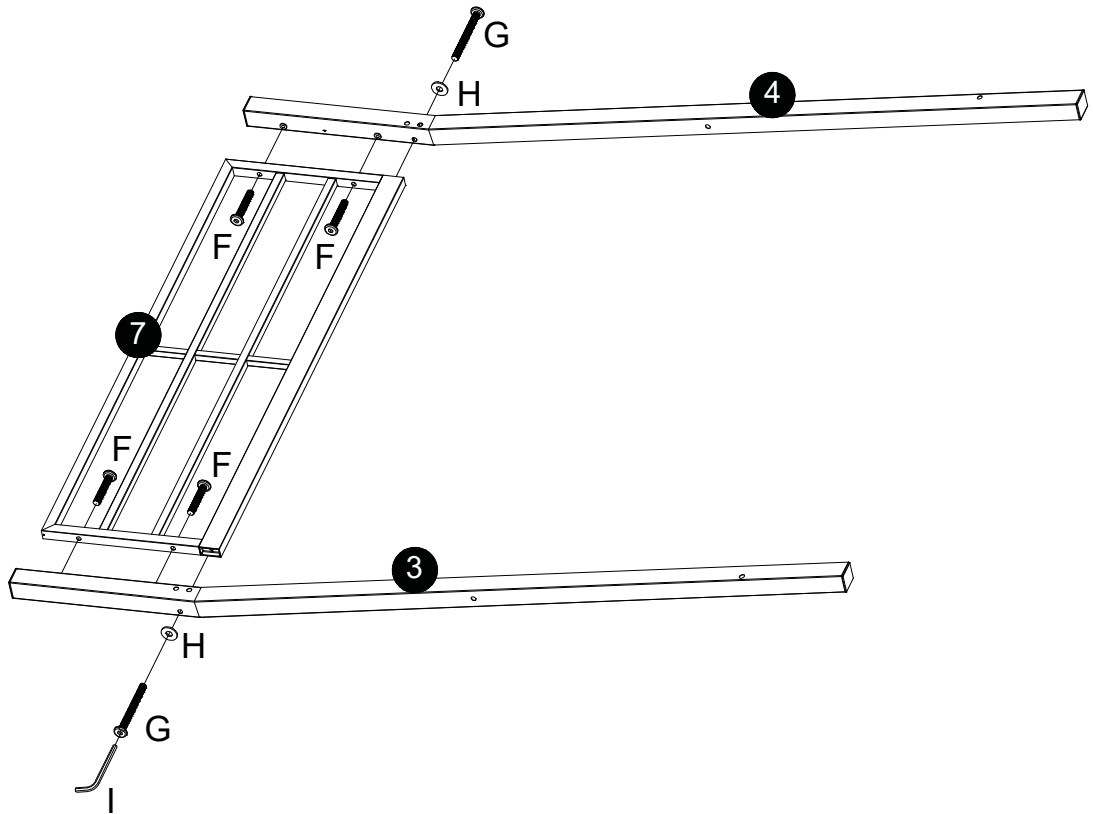


H M6 washer
x4



 Be careful not to overtighten the screws.


2




G M6*60
x2




F M6*35
x4



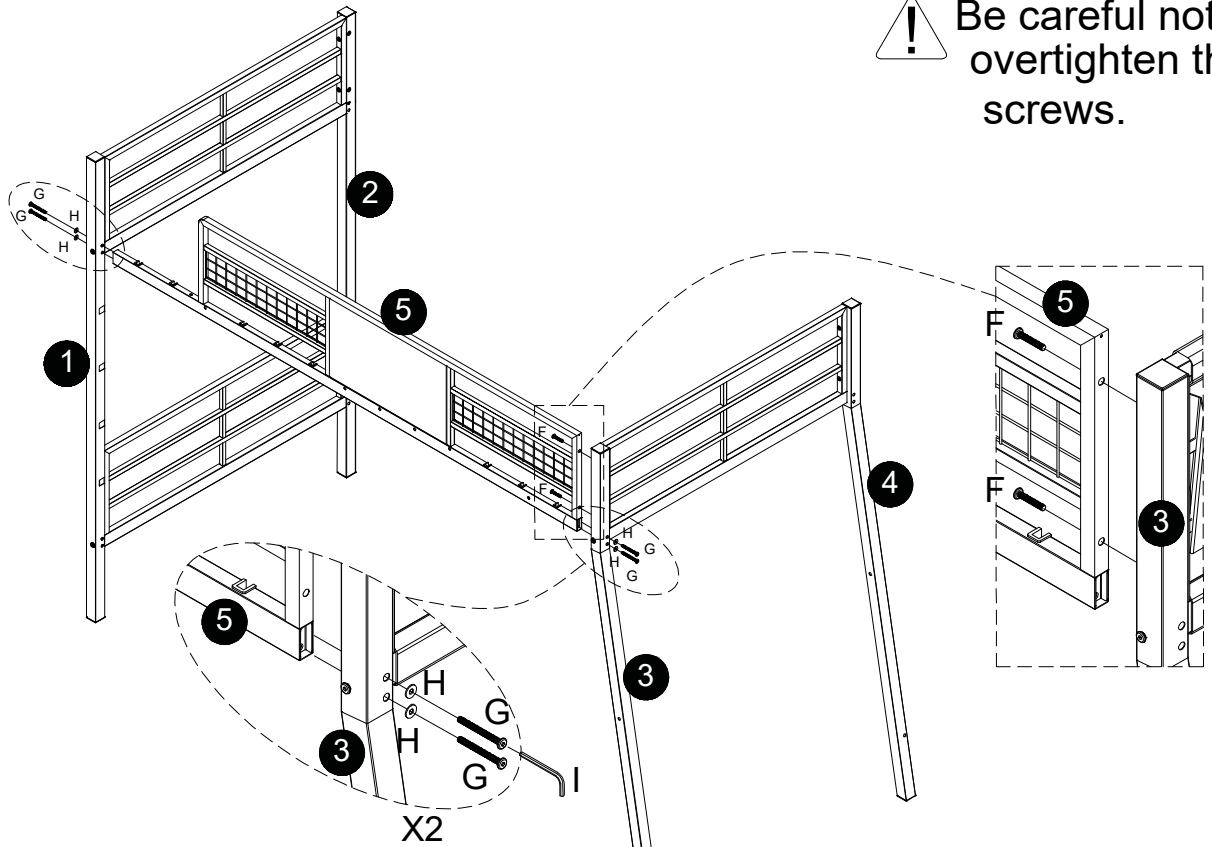
H M6 washer
x2



 Be careful not to overtighten the screws.

3

⚠ Be careful not to overtighten the screws.




G M6*60
x4



F M6*35
x2

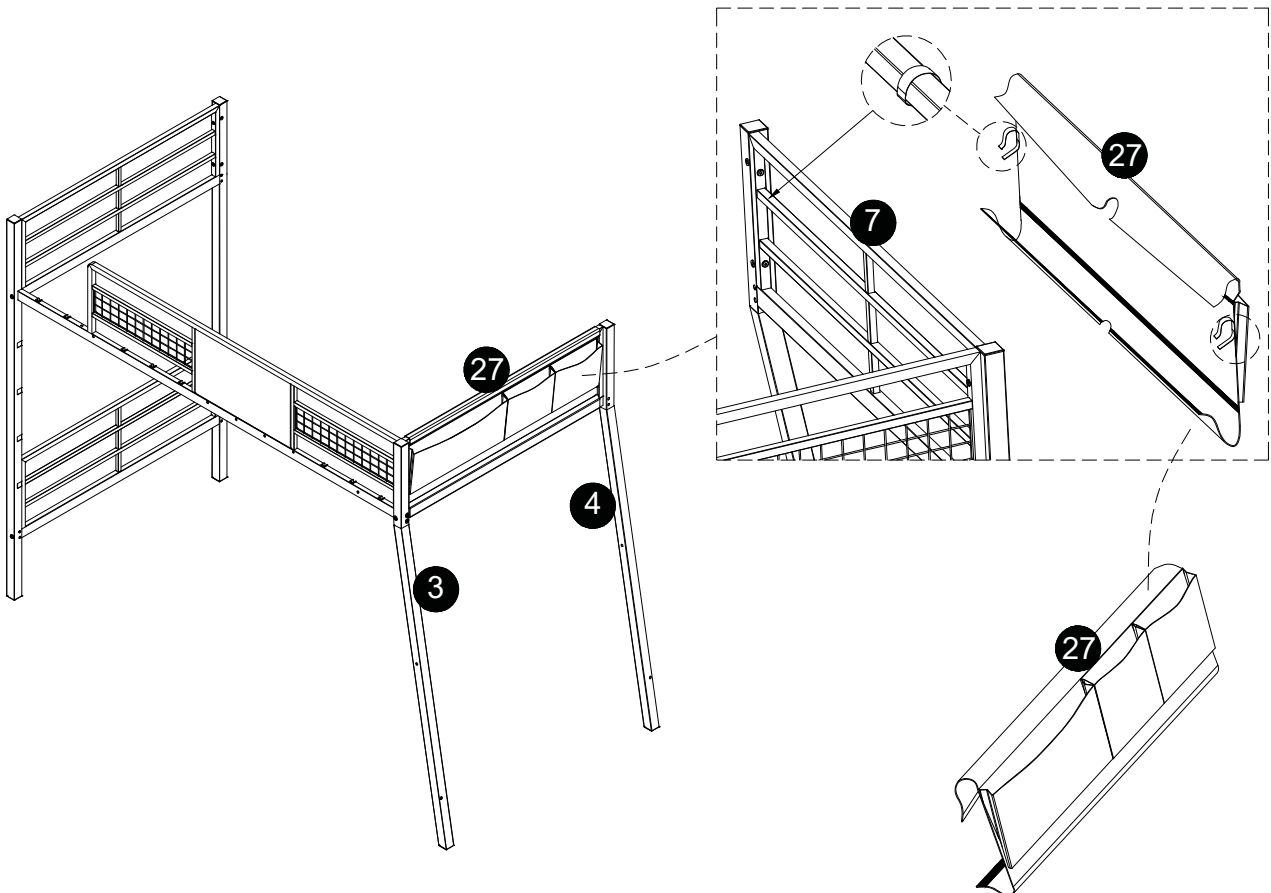


H M6 washer
x4

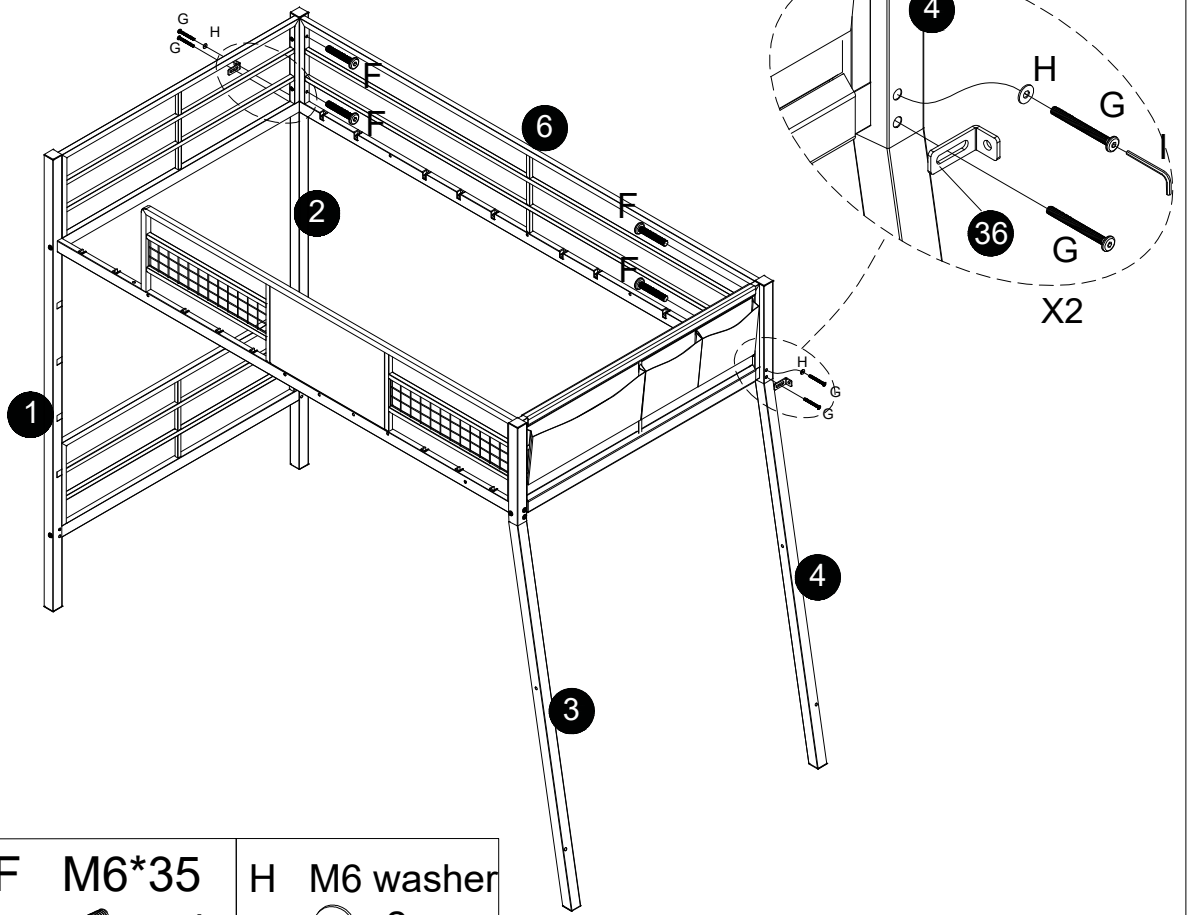


⚠ RECOMMEND 2 OR MORE ADULTS FOR QUICKER ASSEMBLY

4

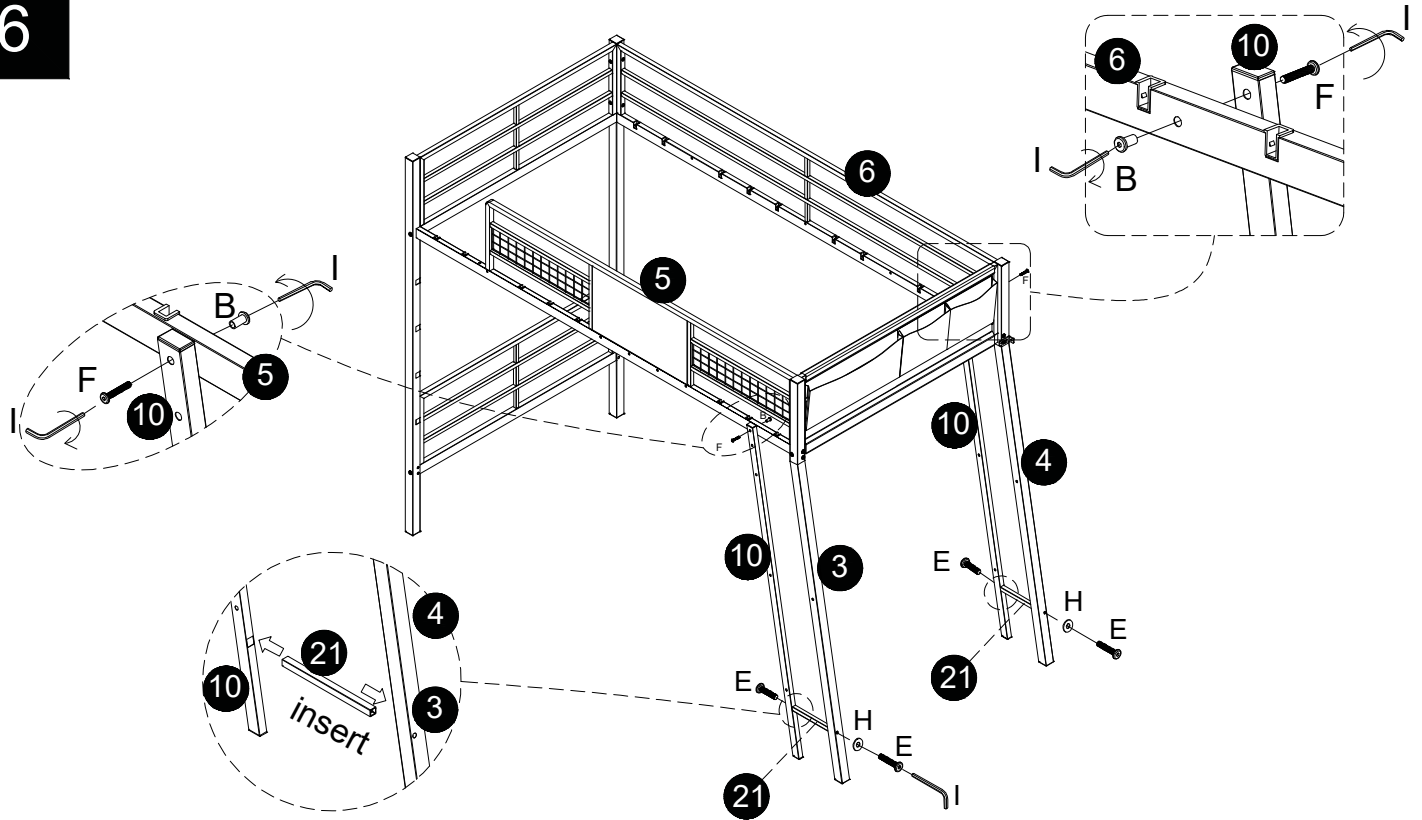


5



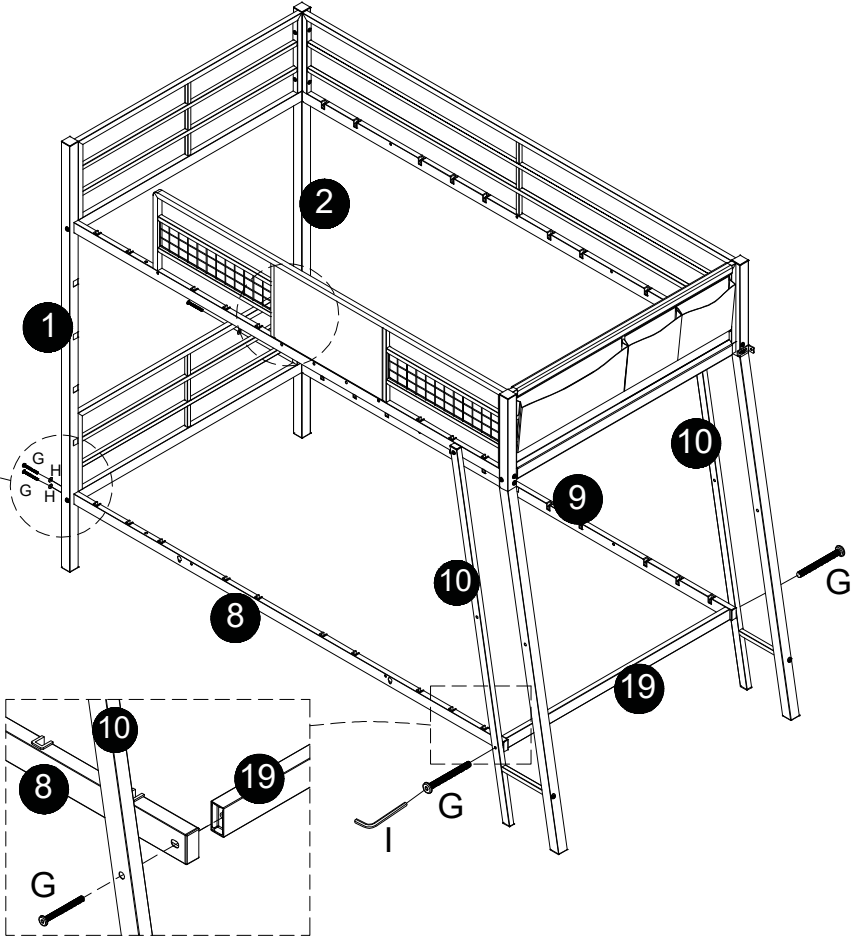
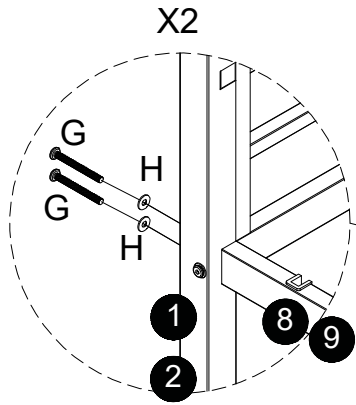
G M6*60 x4	F M6*35 x4	H M6 washer x2
---------------	---------------	-------------------

6



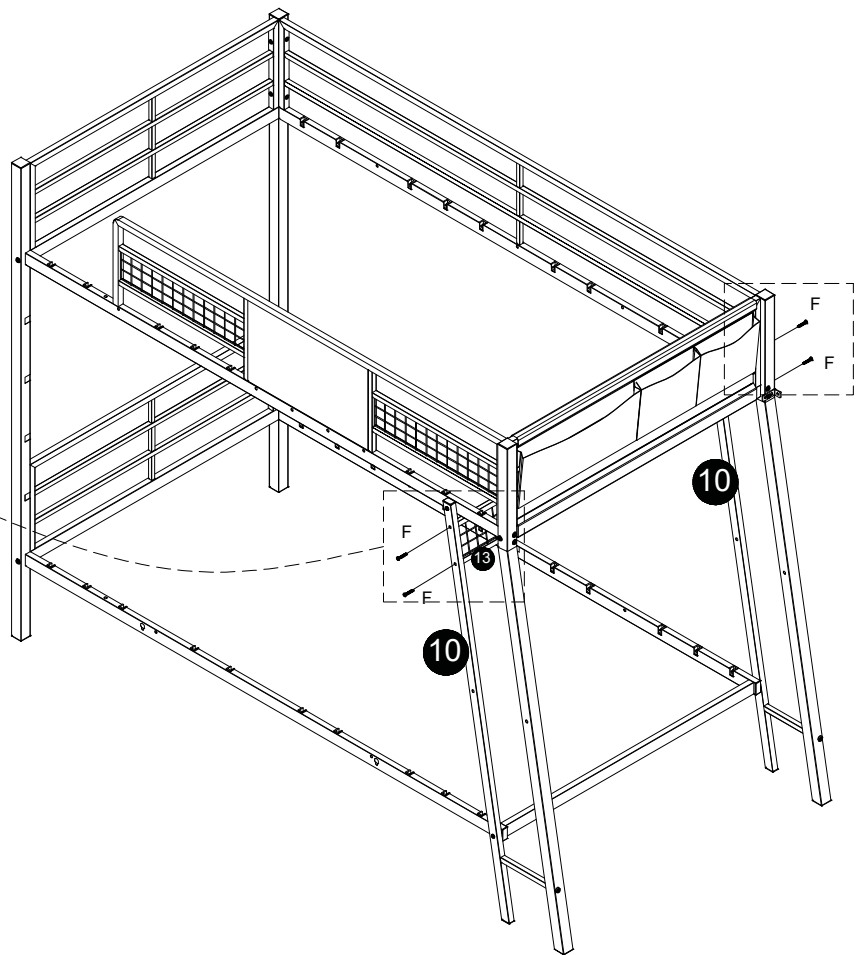
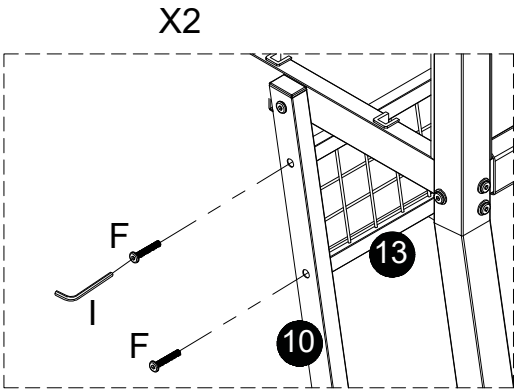
B M6*15 x2	H M6 washer x2	E M6*25 x4	F M6*35 x2
---------------	-------------------	---------------	---------------

7



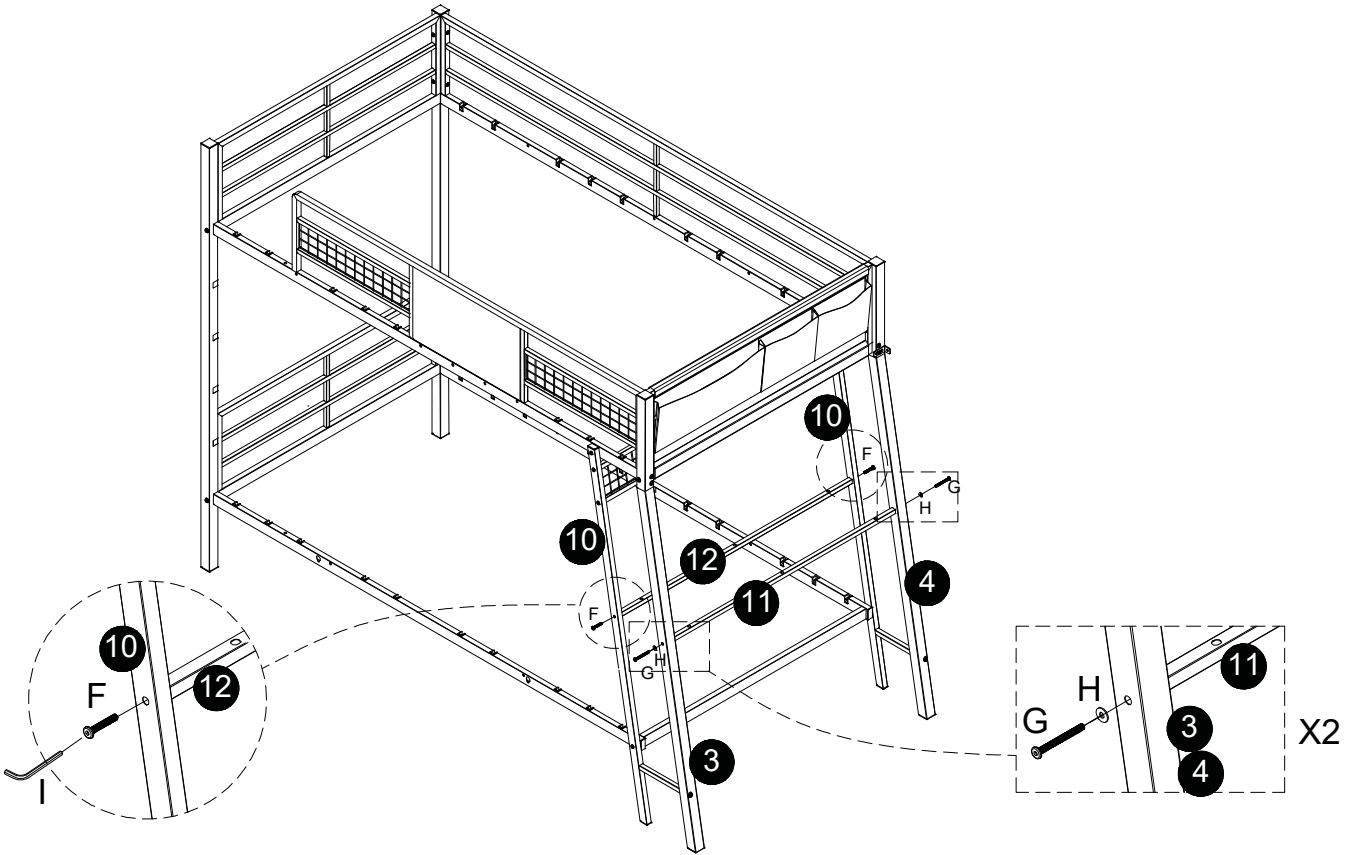
- | | |
|---------------|-------------------|
| G M6*60
x6 | H M6 washer
x4 |
|---------------|-------------------|

8



- | |
|---------------|
| F M6*35
x4 |
|---------------|

9



F M6*35
x2

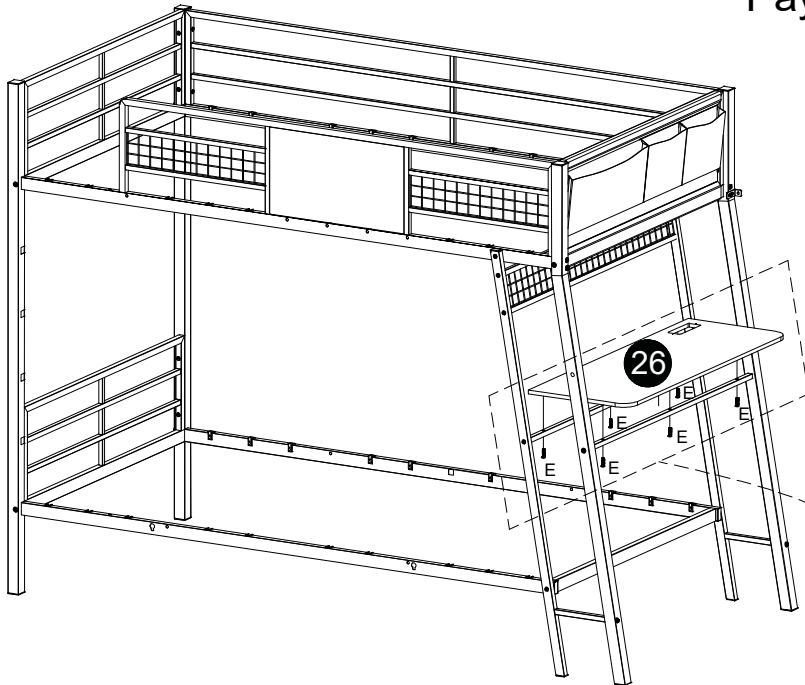
G M6*60
x2

H M6 washer
x2

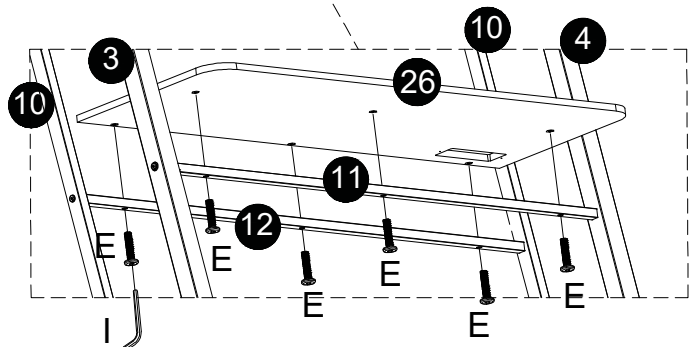
⚠ Be careful not to overtighten the screws.

10

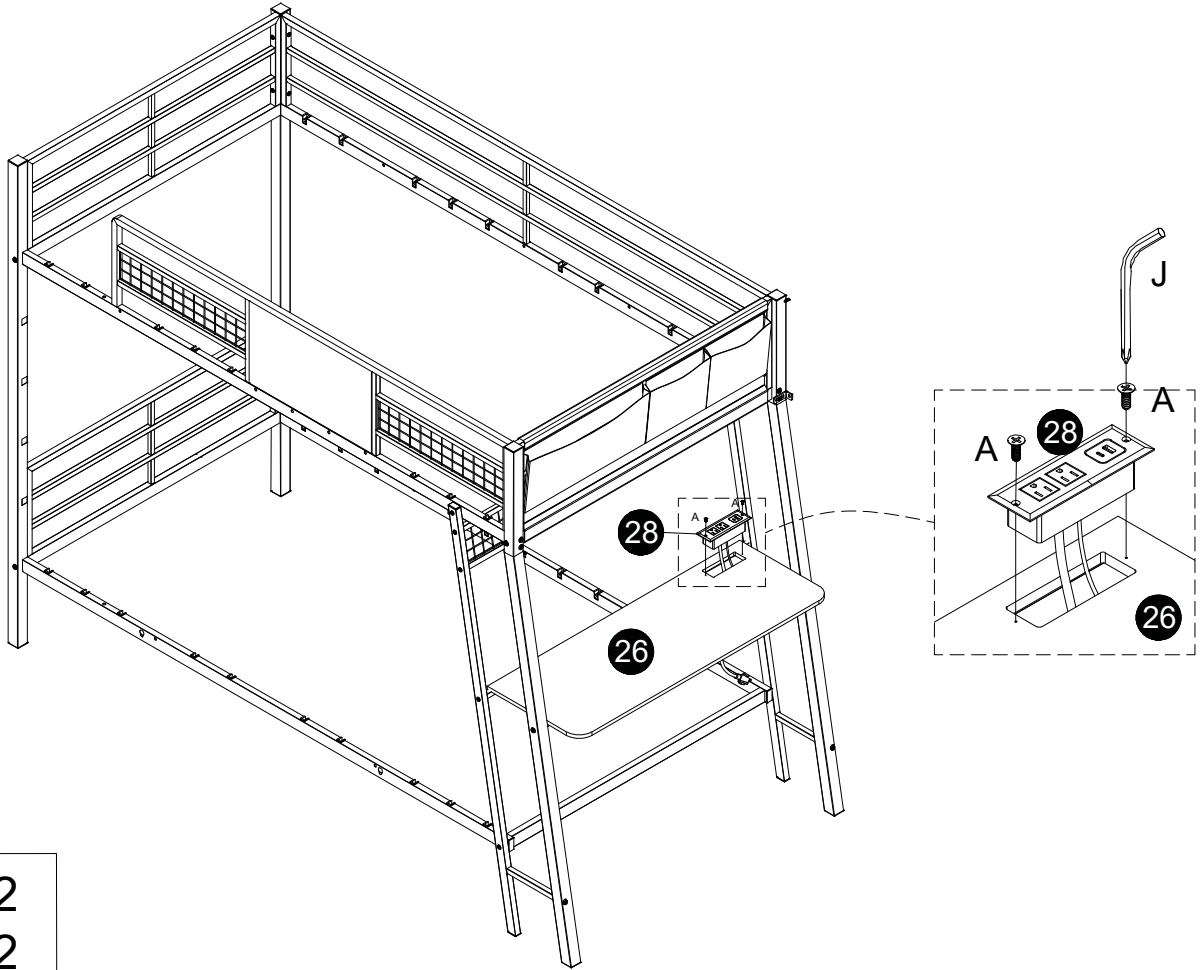
Pay attention to the part number



E M6*25
x6

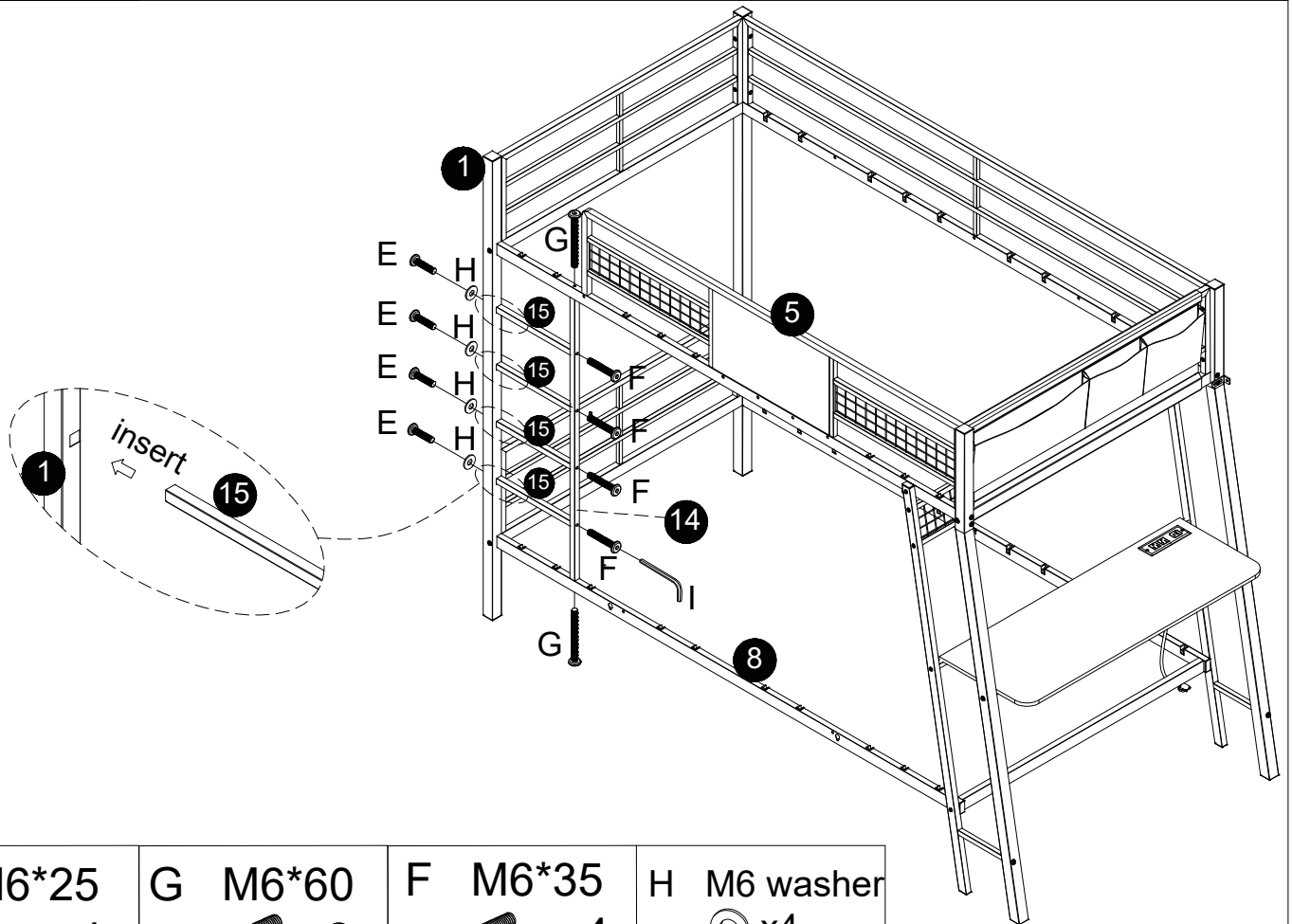


11



A M4*12
x2

12



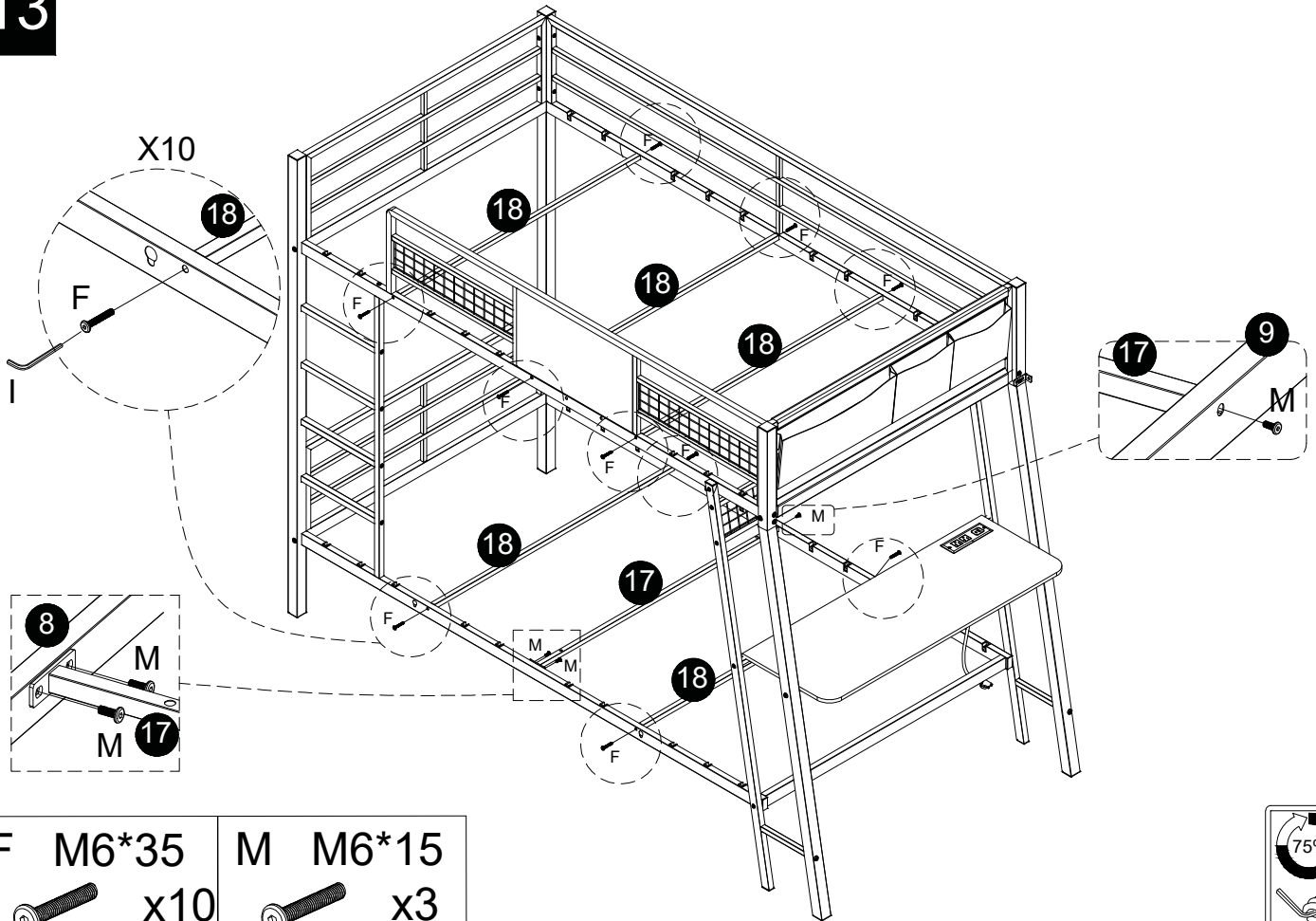
E M6*25
x4



G M6*60
x2

F M6*35
x4

H M6 washer
x4

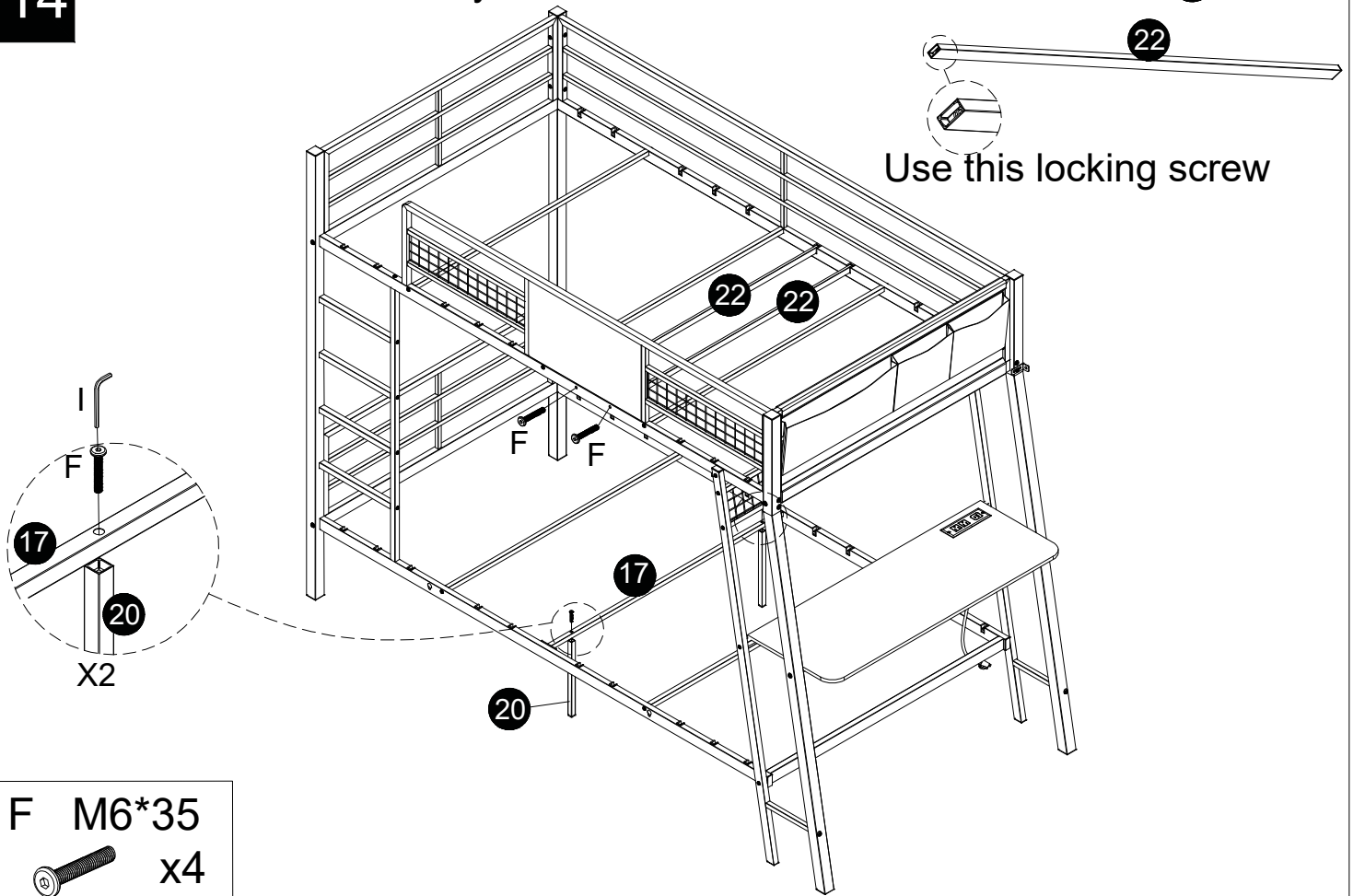
13

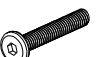


F	M6*35	M	M6*15
	x10		x3

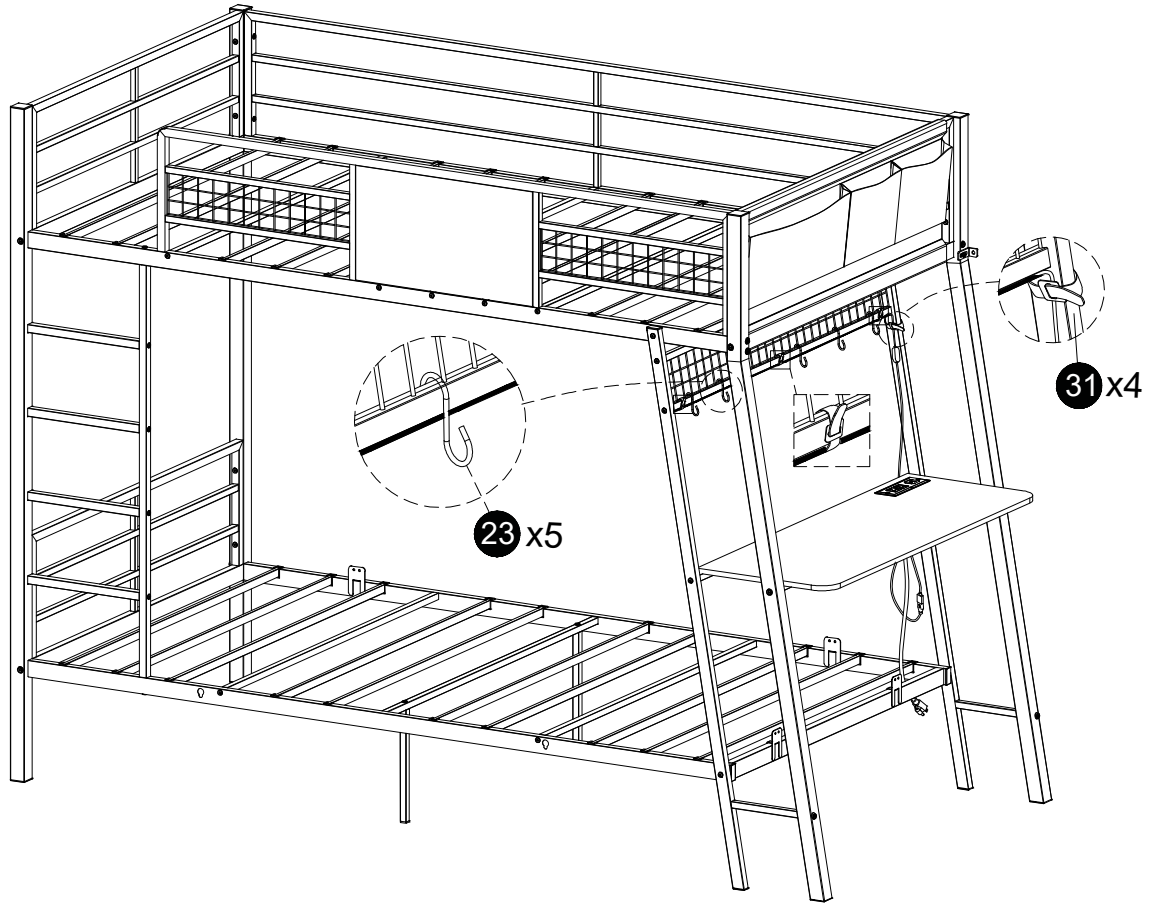
14

Pay attention to the installation direction of 22

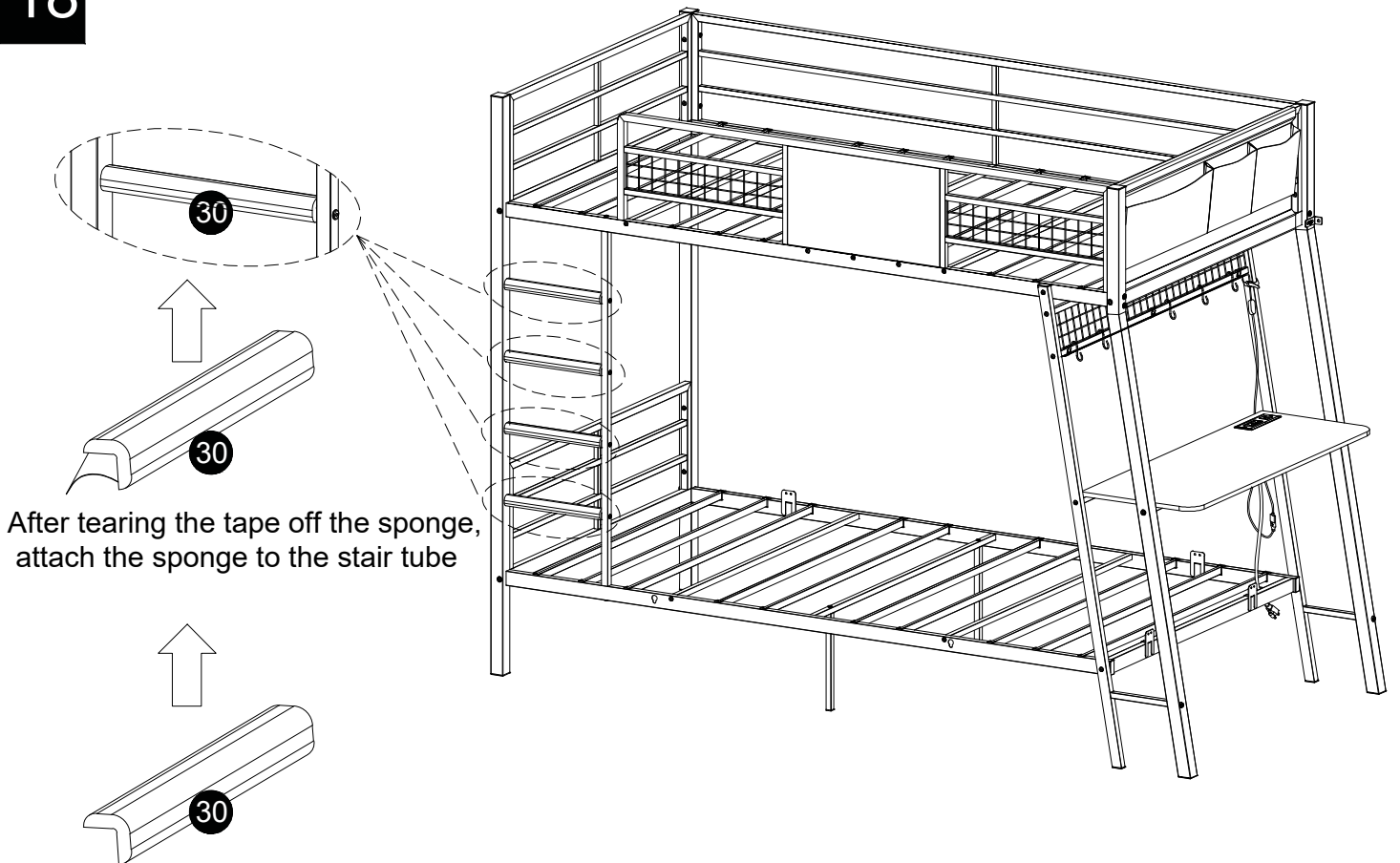


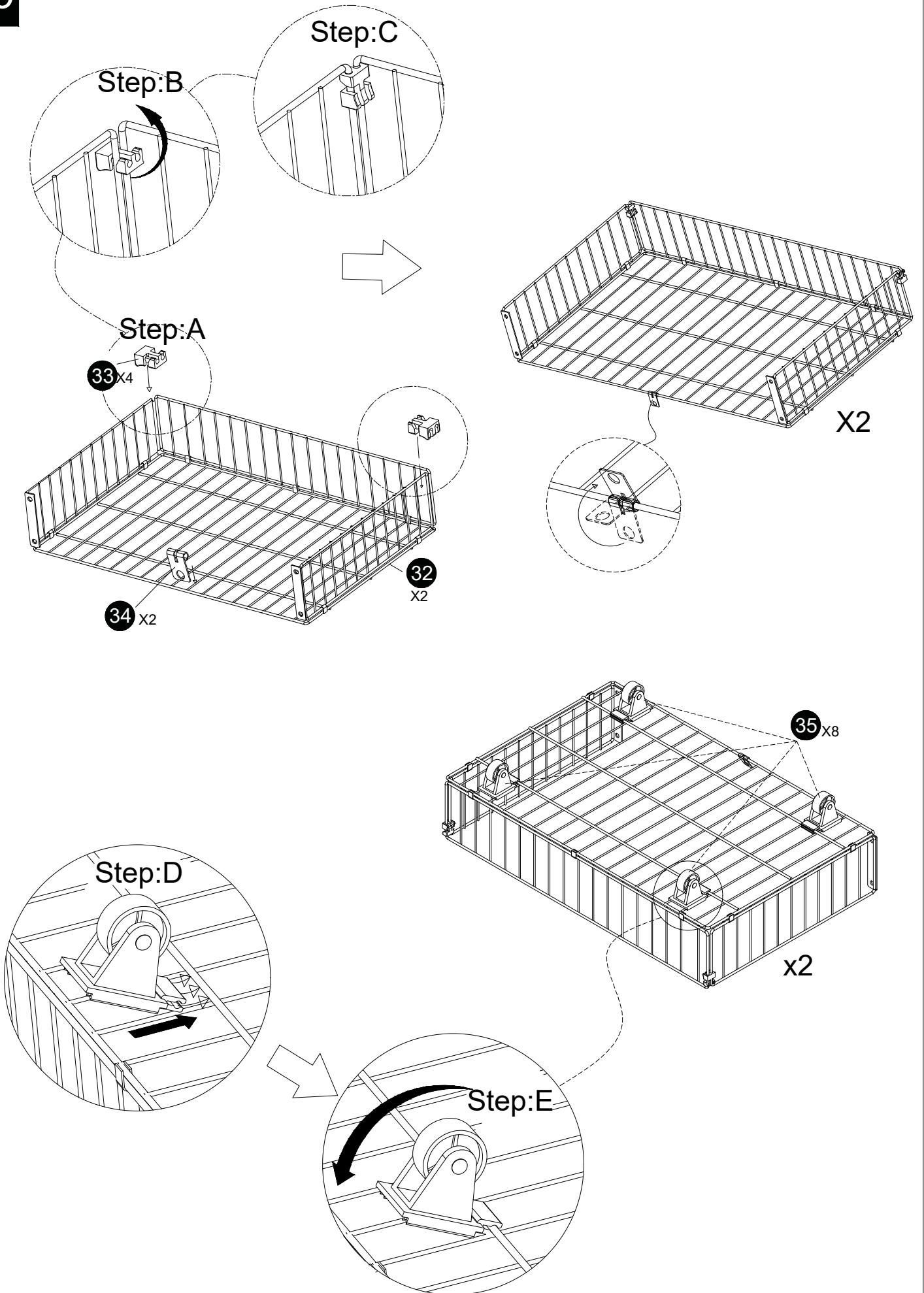
F	M6*35
	x4

17



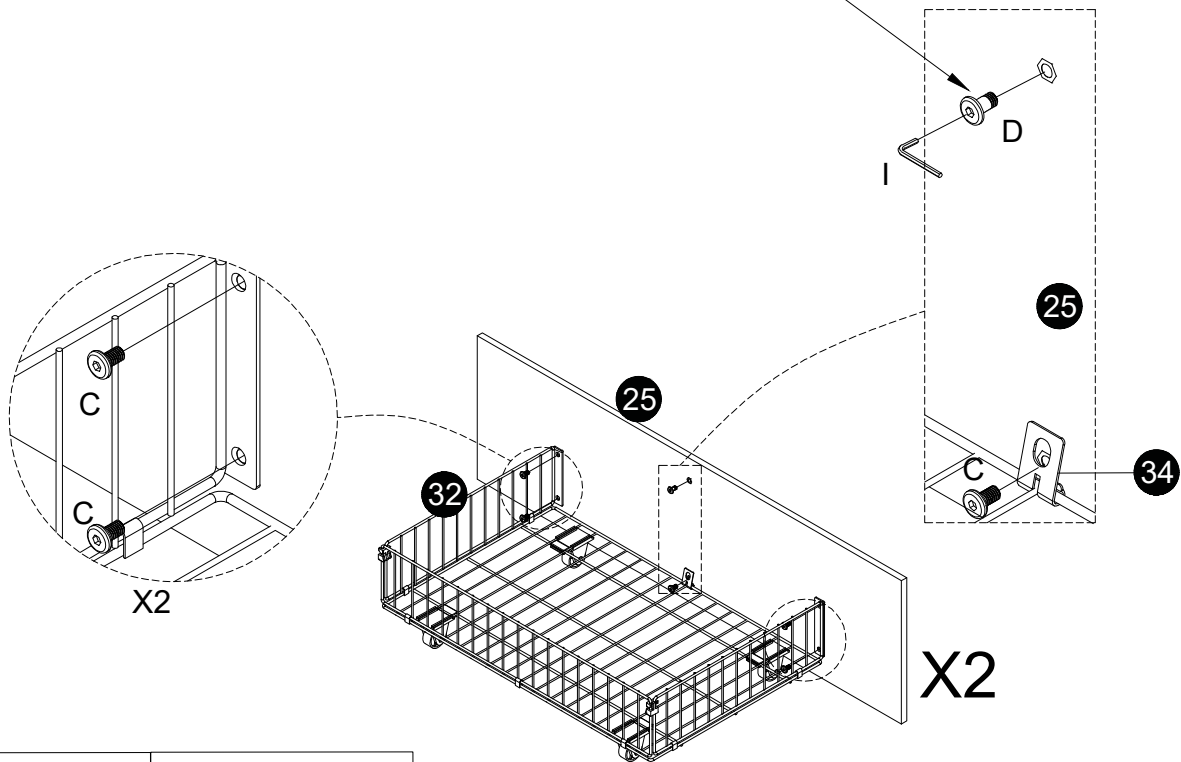
18







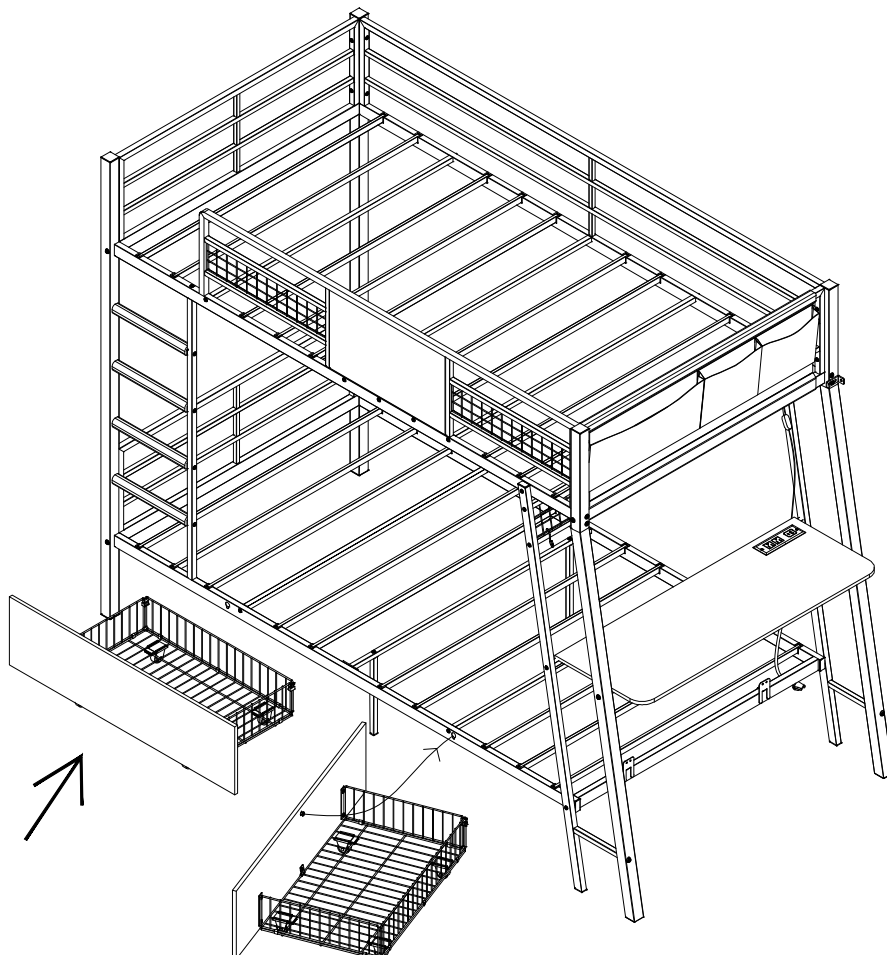
20

Semi-tooth screw

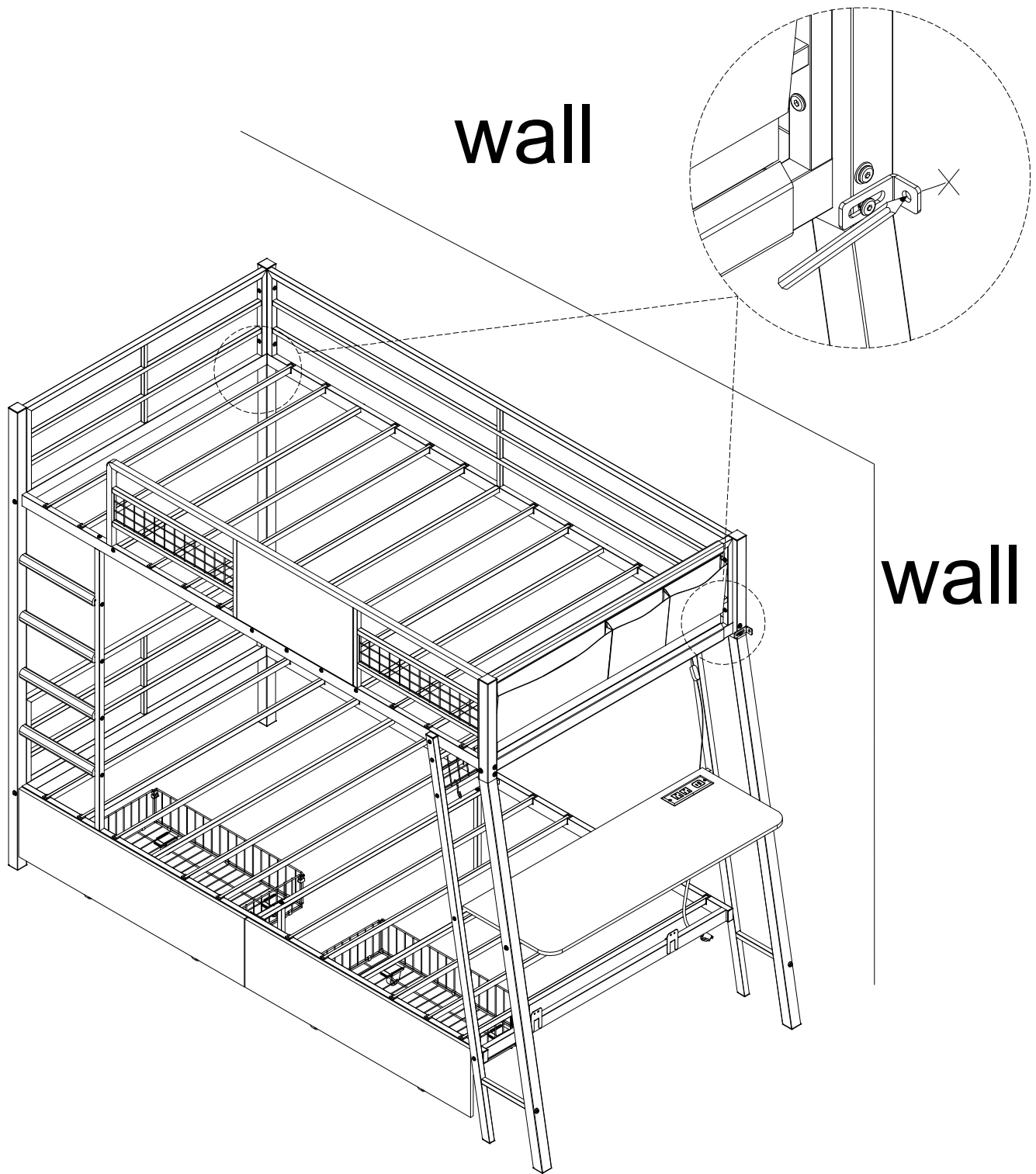


C	M6*10	D	M6*15
	x10		x2

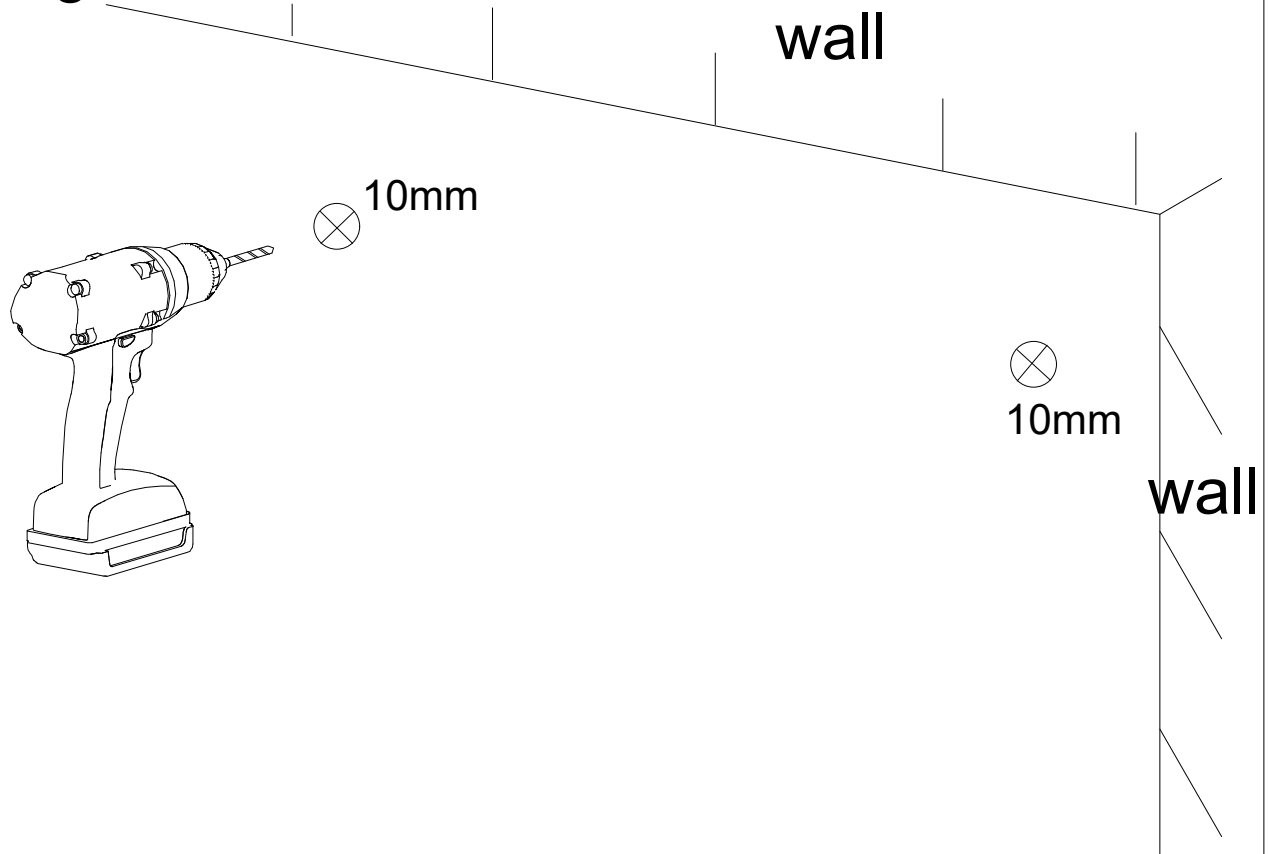
21



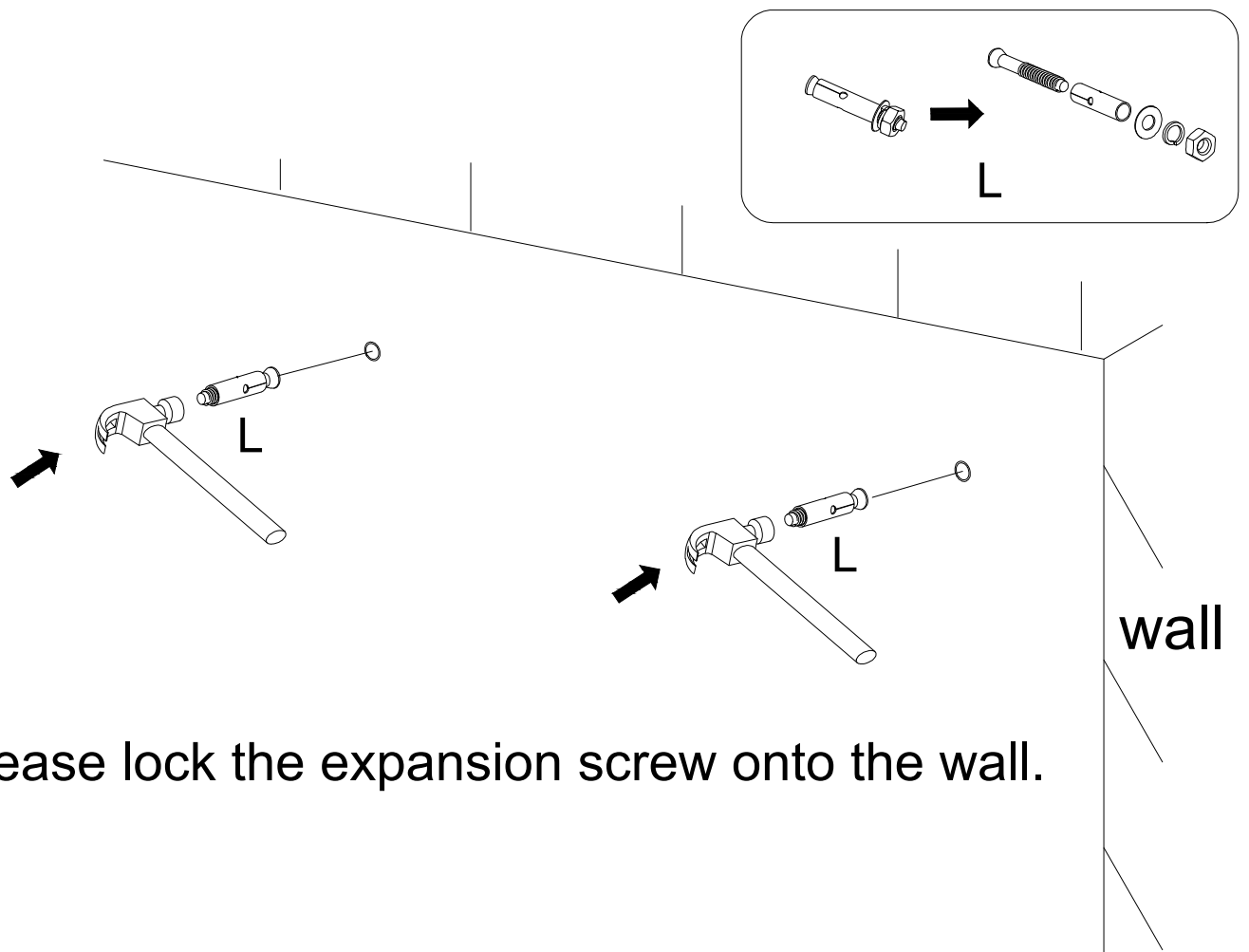
22 Positioning



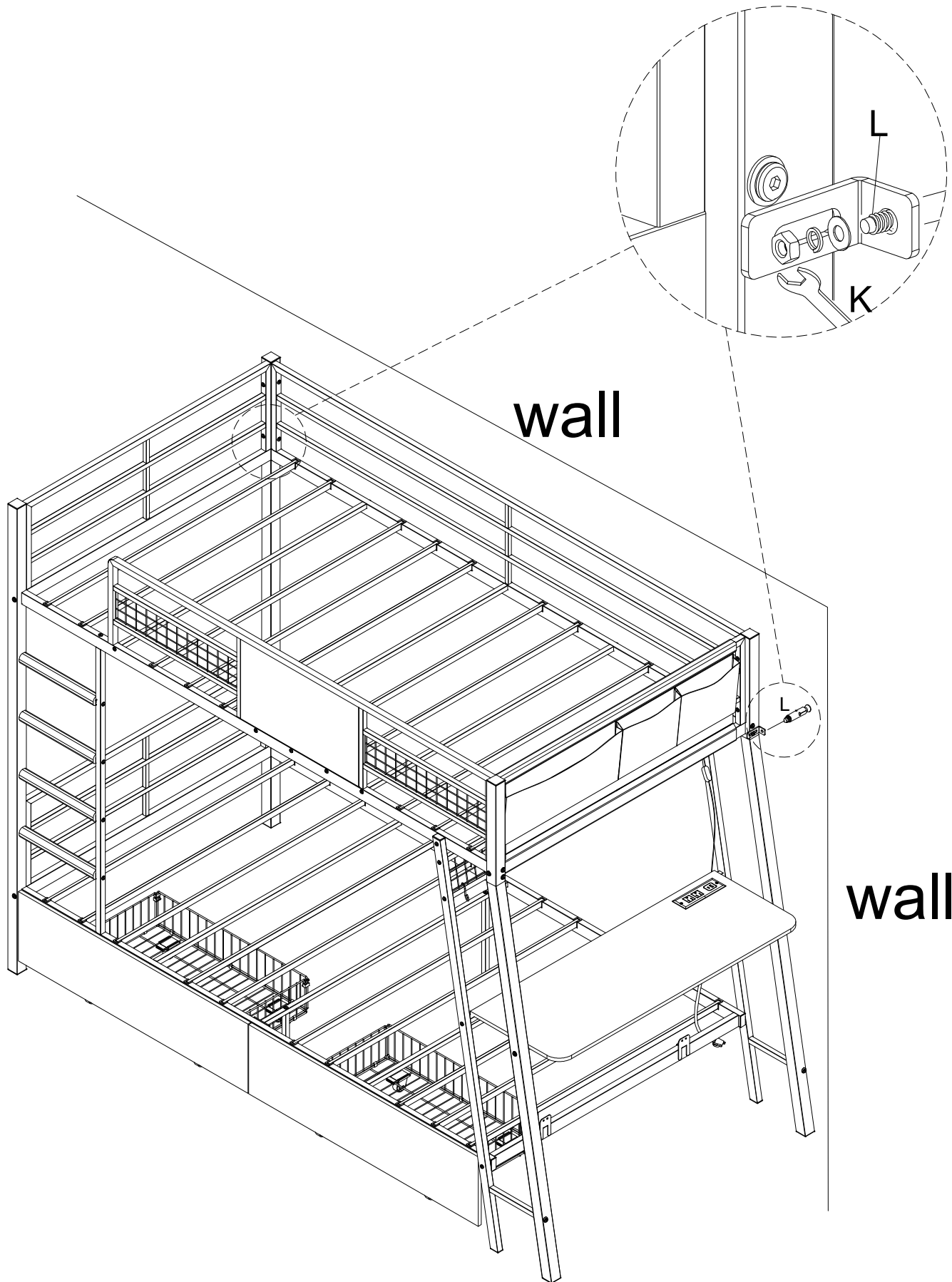
23 Drilling



24



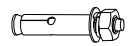
Please lock the expansion screw onto the wall.



wall

wall

L M6*75



x2

