

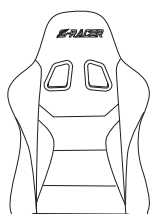


Scan the QR code in the lower right corner for the installing video if you have any assembly problem.

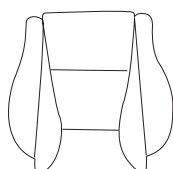
Contact us through E-mail: [hofficeservice@gmail.com](mailto:hofficeservice@gmail.com) for more information.

Check and make sure you get the components on the list, contact us for any missing

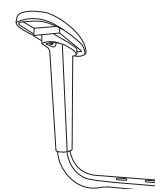
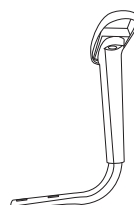
**A** Backrest



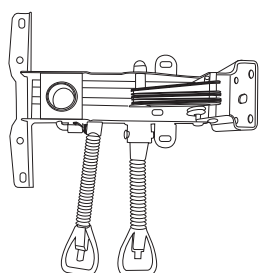
**B** Seat



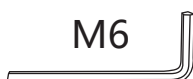
**C<sub>1</sub>** Left armrest    **C<sub>2</sub>** Right armrest



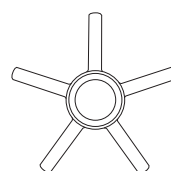
**D** Control unit ×1



**E** Allen Key ×1



**F** Feet base

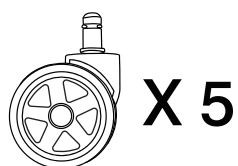


**G** Foot



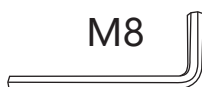
**X 5**

**H** Casters



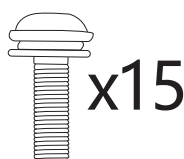
**X 5**

**I** Allen Key ×1



M8

**J** M8\*25



x15

**K** M6\*20



x10

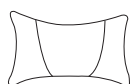
**L** Plastic cover



**M** Gas lift



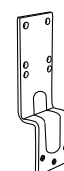
**N** Headrest



**O** Lumbar support

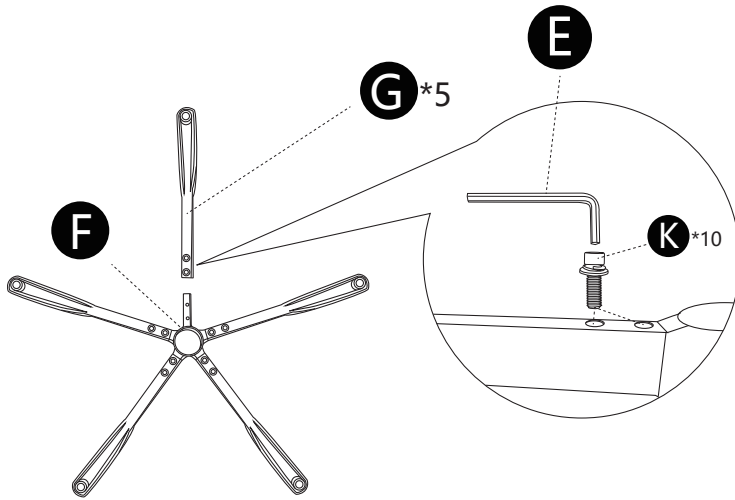


**P** Steel plate

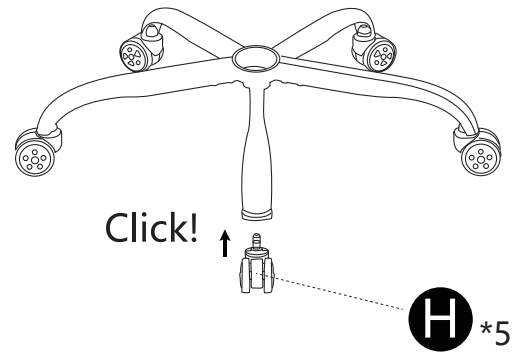


# Installation step

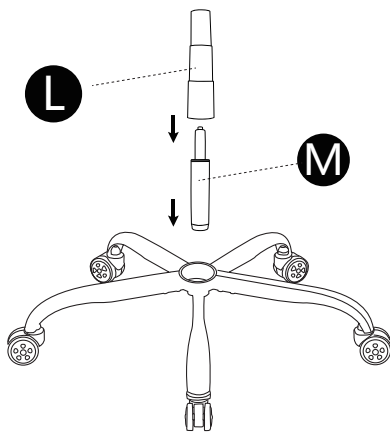
## 1. Assemble five-star foot



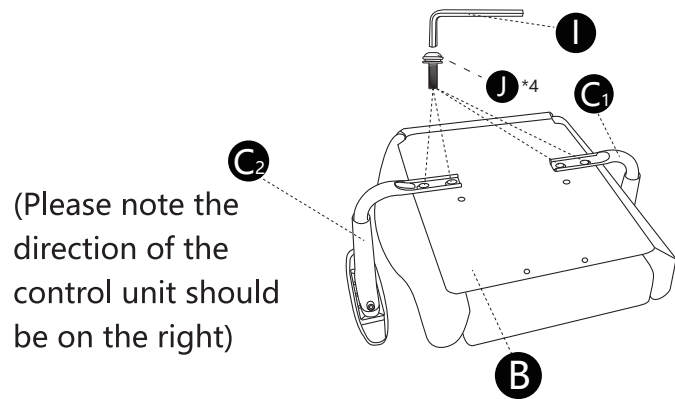
## 2. Attach wheels



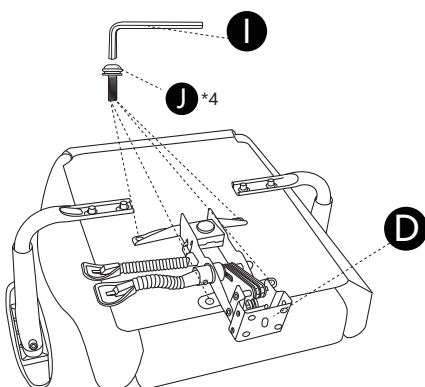
## 3. Install the gas lift and plastic cover



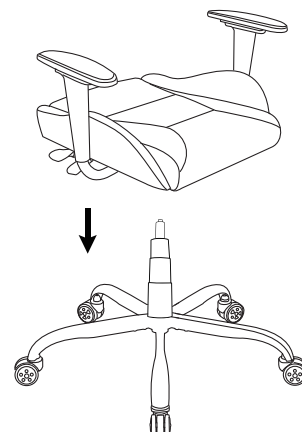
## 4. Fix the armrests to the base of the seat



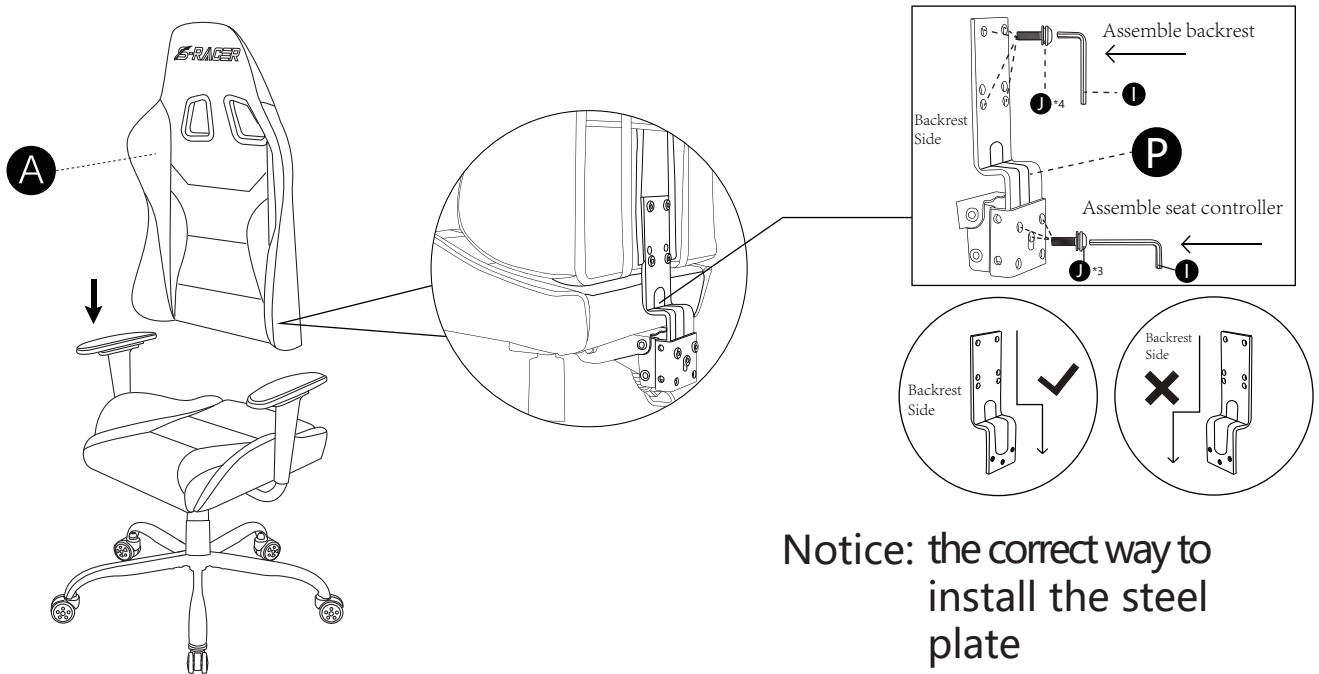
## 5. Fix the control unit to the base of the seat



## 6. Insert the gas lift into the control unit

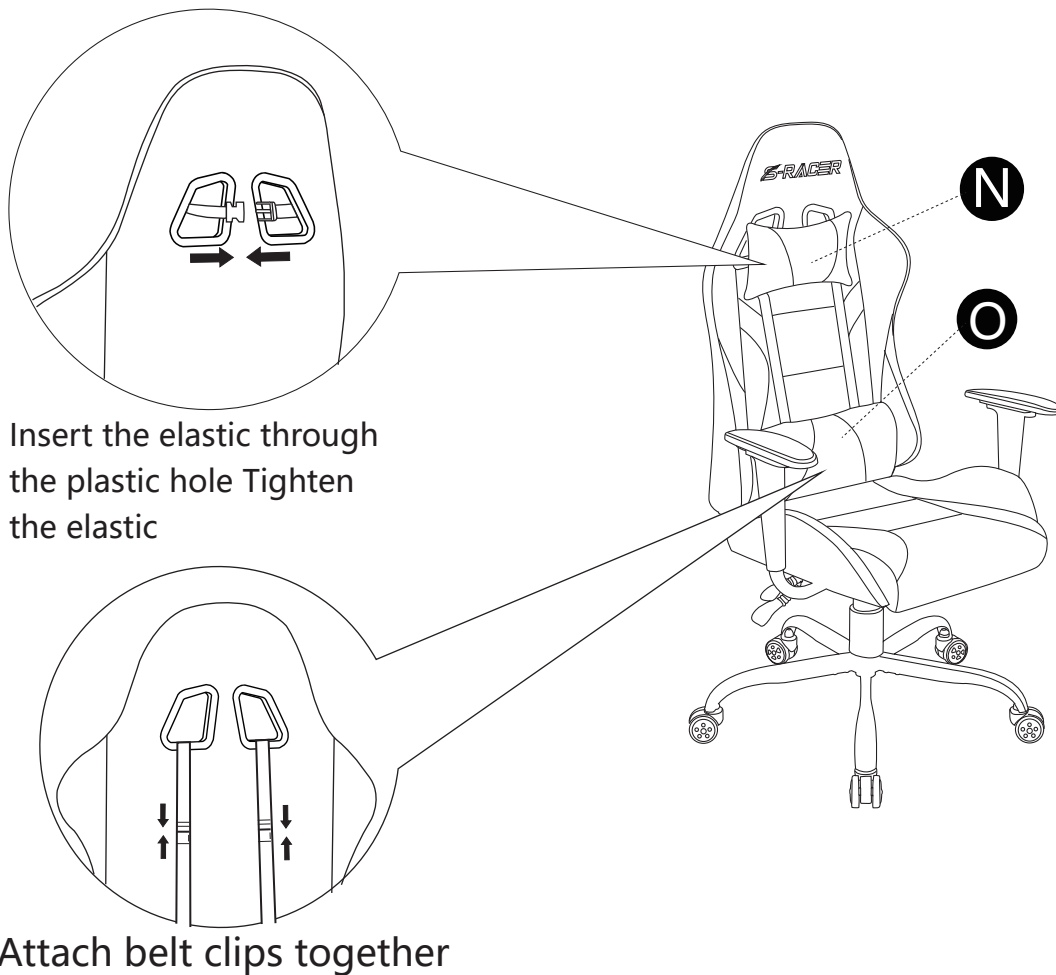


7. Mount the steel plate into the control unit, mount the back on the steel plate



Notice: the correct way to install the steel plate

8.



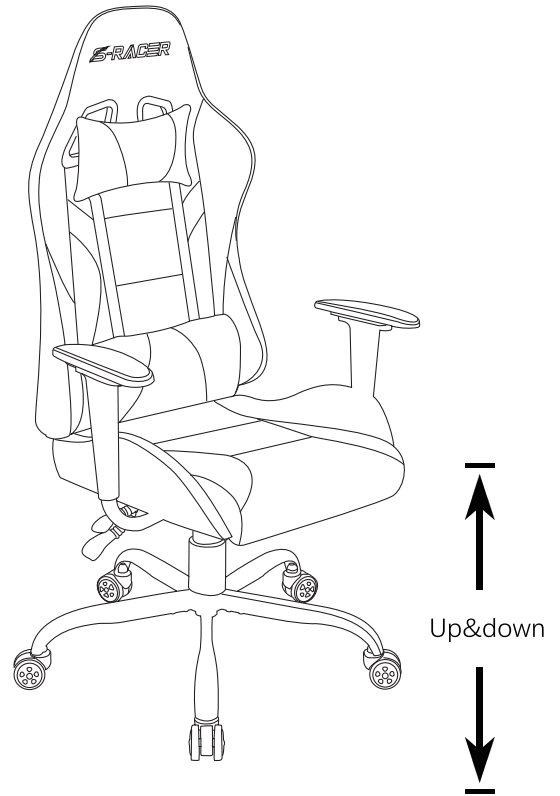
Insert the elastic through the plastic hole Tighten the elastic

Attach belt clips together

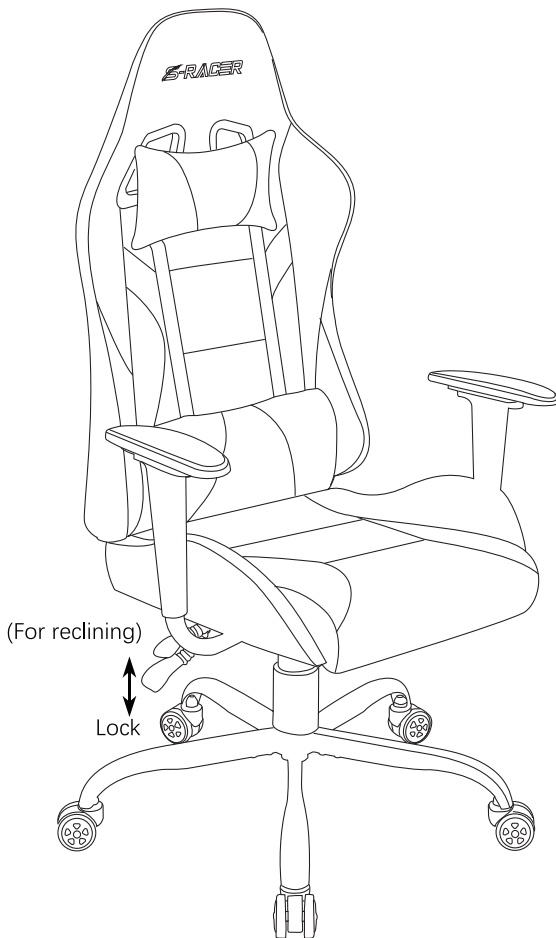
# Function



1 Load capacity up to 330lb



2 Seat Height adjustment  
(Adjusting knob on the right)

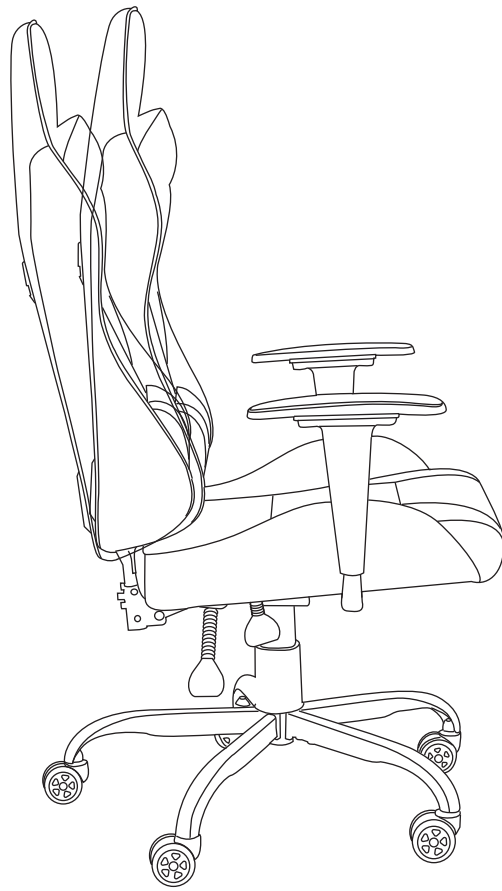


3 Rocking: Pull out the handle to start rocking. Insert to stop rocking



4 360 degree swivel

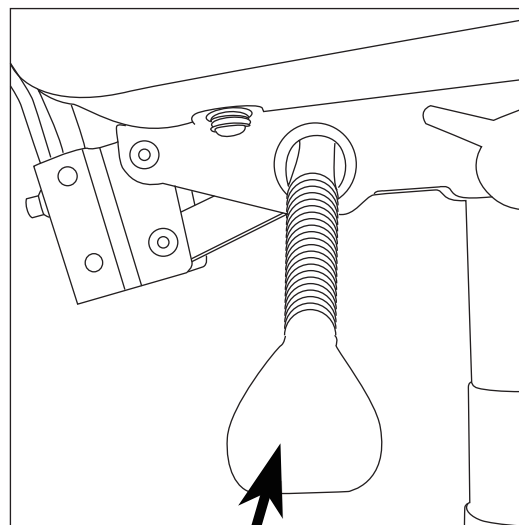
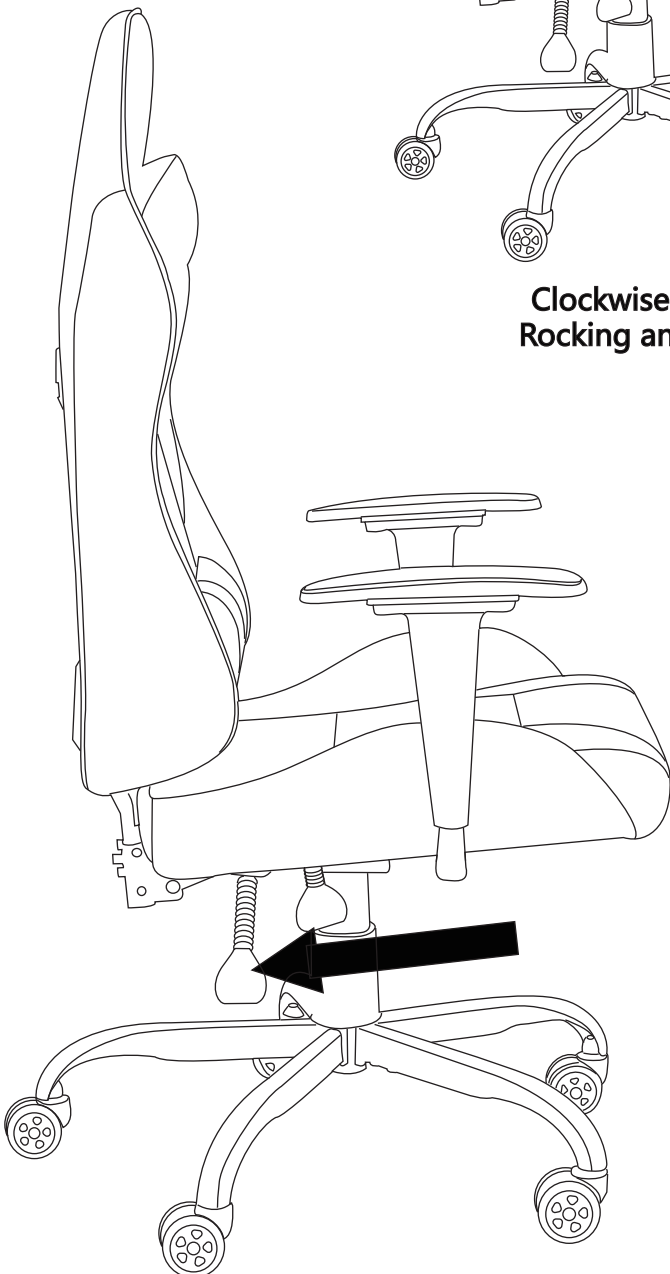
# Rocking function



**Clockwise rotation  
Rocking angle 0-10°**



**Counterclockwise rotation  
Rocking angle 10-30°**



**Adjustable degree: 0°-135°**

# Instruction during use

1. Please move the product gently to avoid collision;
2. Please keep out of direct sunlight;
3. Please ensure the centre of gravity is on the hydraulic until during use;
4. Please watch your fingers when you adjusting the backrest angle;
5. Please toggle the handle under your seat when adjusting the chair height. do not to press it down roughly;
6. Please lift the lever gently to raise or lower the height of the chair. Do not pull it roughly;
7. Do not place any heavy objects on the chair or armrest;
8. Plastic parts will split if chair is exposed to direct sunlight;
9. Please do not use abrasive cleaners on the chairs;