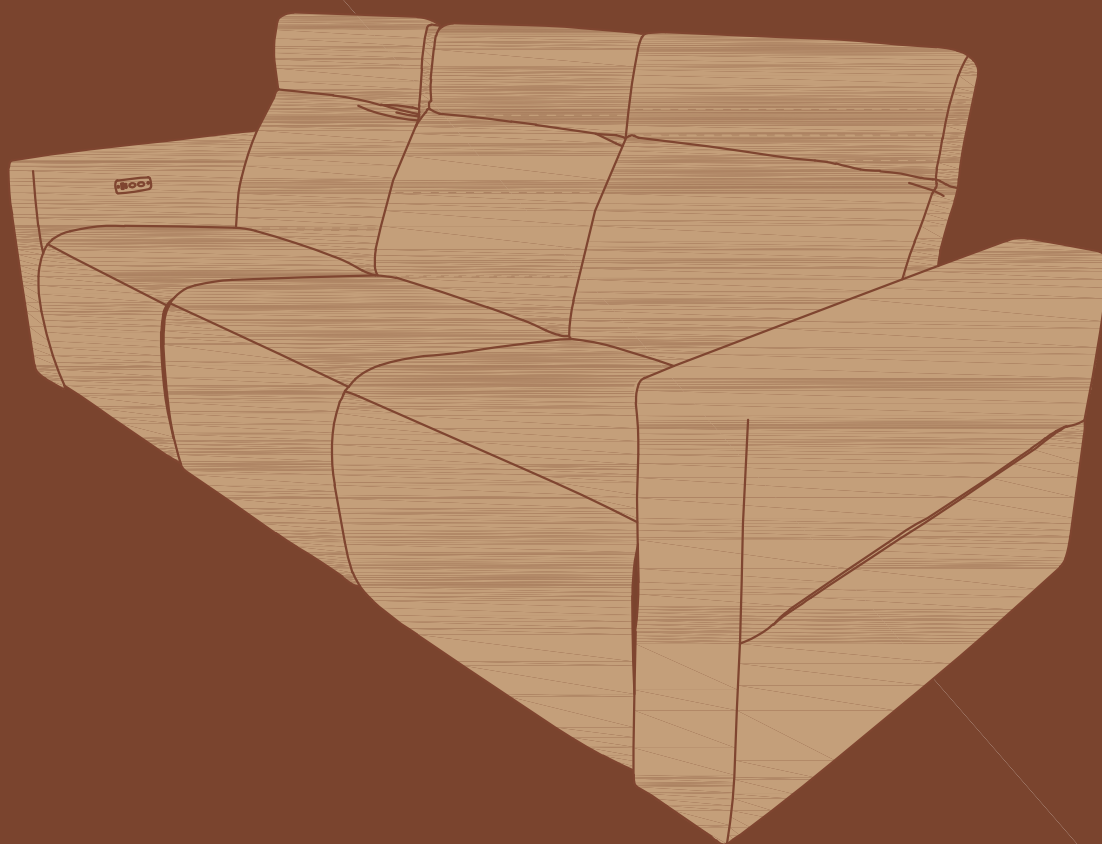




ModernMate

ASSEMBLY INSTRUCTION



Sofa

catalogue

Introduction	01
Precautions	01
Tips	02-04
Parts list	05-06
Product portfolio	07
Installation process of handrail installation process	08
Installation process of left armrest sofa	09-15
Installation process of right armrest sofa	16-22
Installation process of armless sofa	23-27
Component connection diagram	28-29
Connection function plug	30
Combination completion diagram	31
Important tips	32

INTRODUCTION

Thank you for purchasing our products. Please read the instructions carefully before installation and keep it in a safe place for future reference. If you need any assistance or support, please feel free to contact our customer support team.

PRECAUTIONS

This package contains numerous components and hardware pieces. Please identify and verify all parts against the parts list before you begin assembly.

WARNING: Choking Hazard. This product contains small items. Keep all parts and hardware out of the reach of children during assembly.

To prevent scratches, assemble the product on a soft, non-abrasive surface such as a carpet, blanket, or the flattened cardboard packaging.

Some components are heavy. For safety, we recommend this product be assembled by two adults.

The unit may be unstable until assembly is fully complete. Do not move the product until all steps are finished.

If you encounter any issues or have questions, please contact our customer service team for assistance.

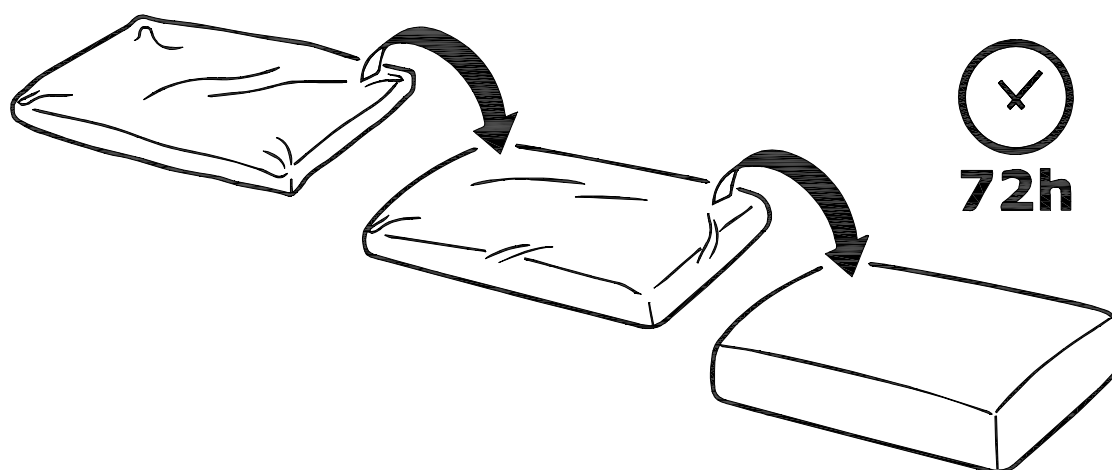
- * **Please be sure to follow the installation steps in the manual to avoid unnecessary losses caused by improper installation.**

Tip 1

Open the vacuum bag carefully, then take out the seat cushion.

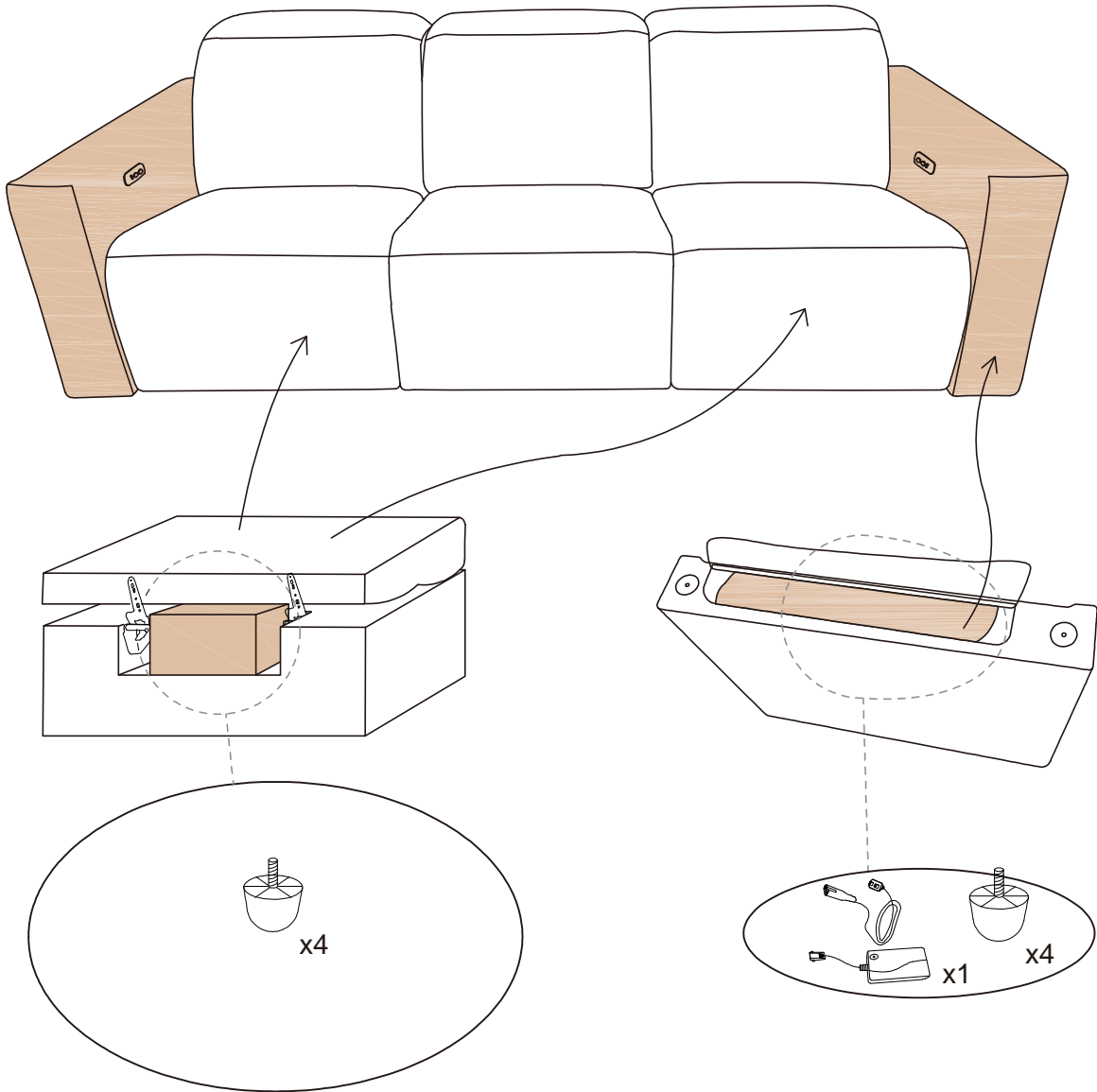
Properly pat all cushions and wait for 72 hours to help them return to their original shape.

To help them regain their shape faster, please try firmly and evenly pat around each cushion.



Tip 2

Contained Component

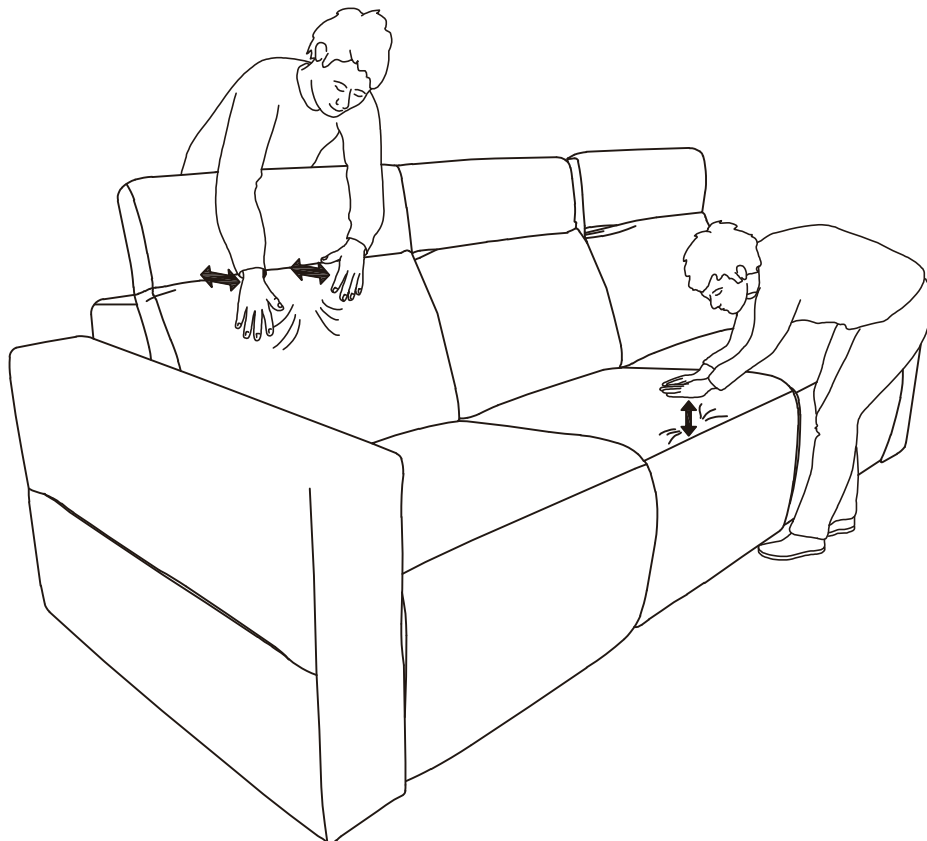
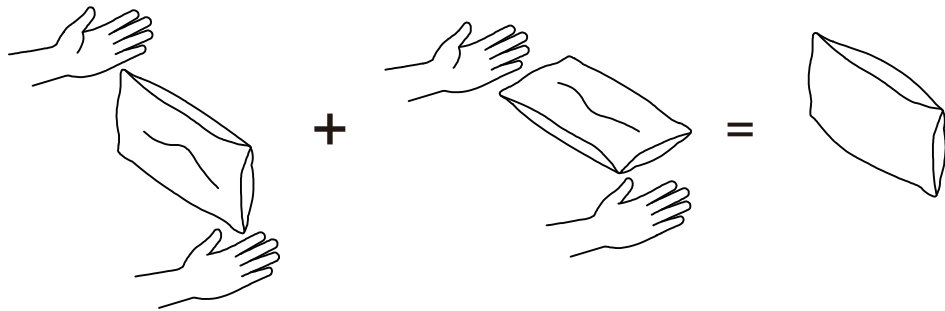


Tip 3

Due to the natural properties of down, it may be slow to bounce back after prolonged sitting. Moderately patting can restore the fluffiness and maintain a comfortable sitting feeling.

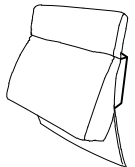
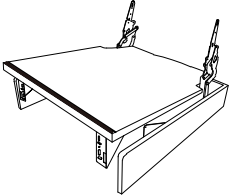
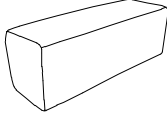
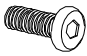
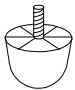
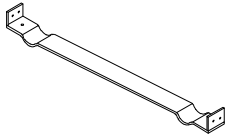
To restore fluffiness and maintain comfortable seating, gently pat and fluff the cushions as needed:

- When to fluff: When cushions feel less resilient or appear flat.
- How to fluff: Use a cupped hand to gently pat the sides, front, and back of the cushion with moderate pressure. Repeat as needed. Avoid using excessive force.

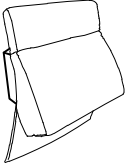
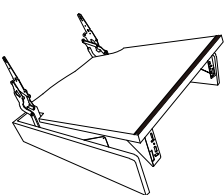
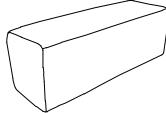
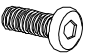
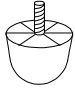
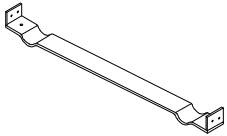


Parts List

BOX A(L)

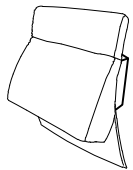
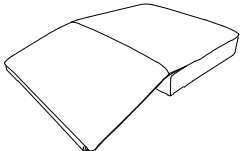
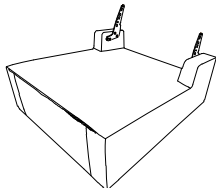
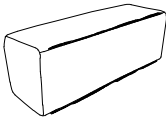
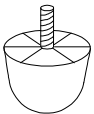
ID	Parts	QTY
1		1
3		1
4		1
A		8
B		4
C		1

BOX B(R)

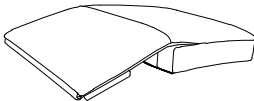
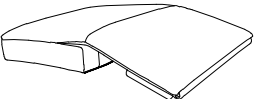
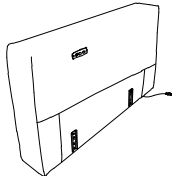
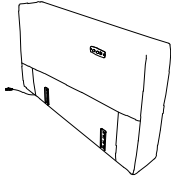
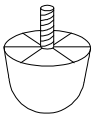
ID	Parts	QTY
5		1
7		1
8		1
D		8
E		4
F		1

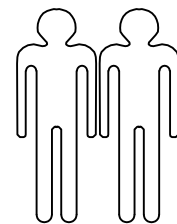
Parts List

BOX C

ID	Parts	QTY
9		1
10		1
11		1
12		1
I		4

BOX D

ID	Parts	QTY
2		1
6		1
13		1
14		1
J		4

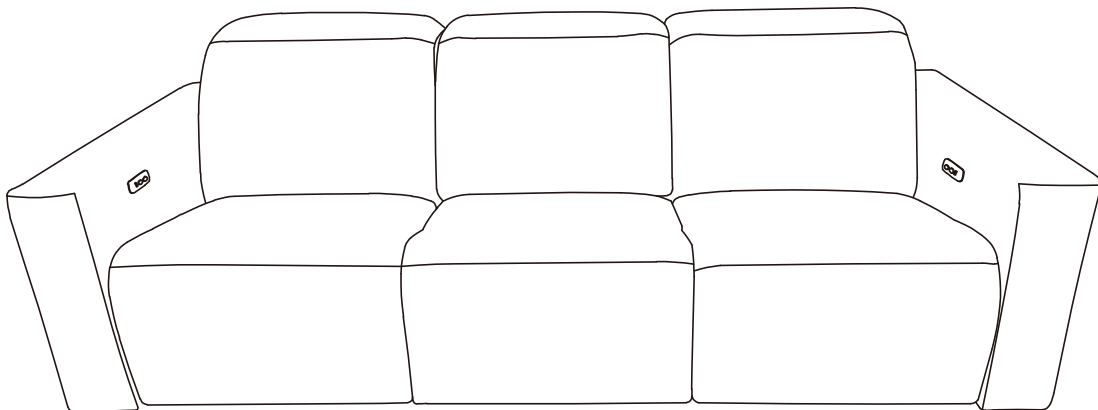
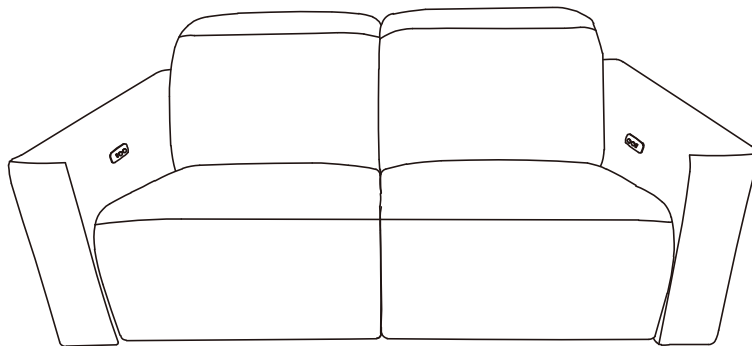


Multi-person installation

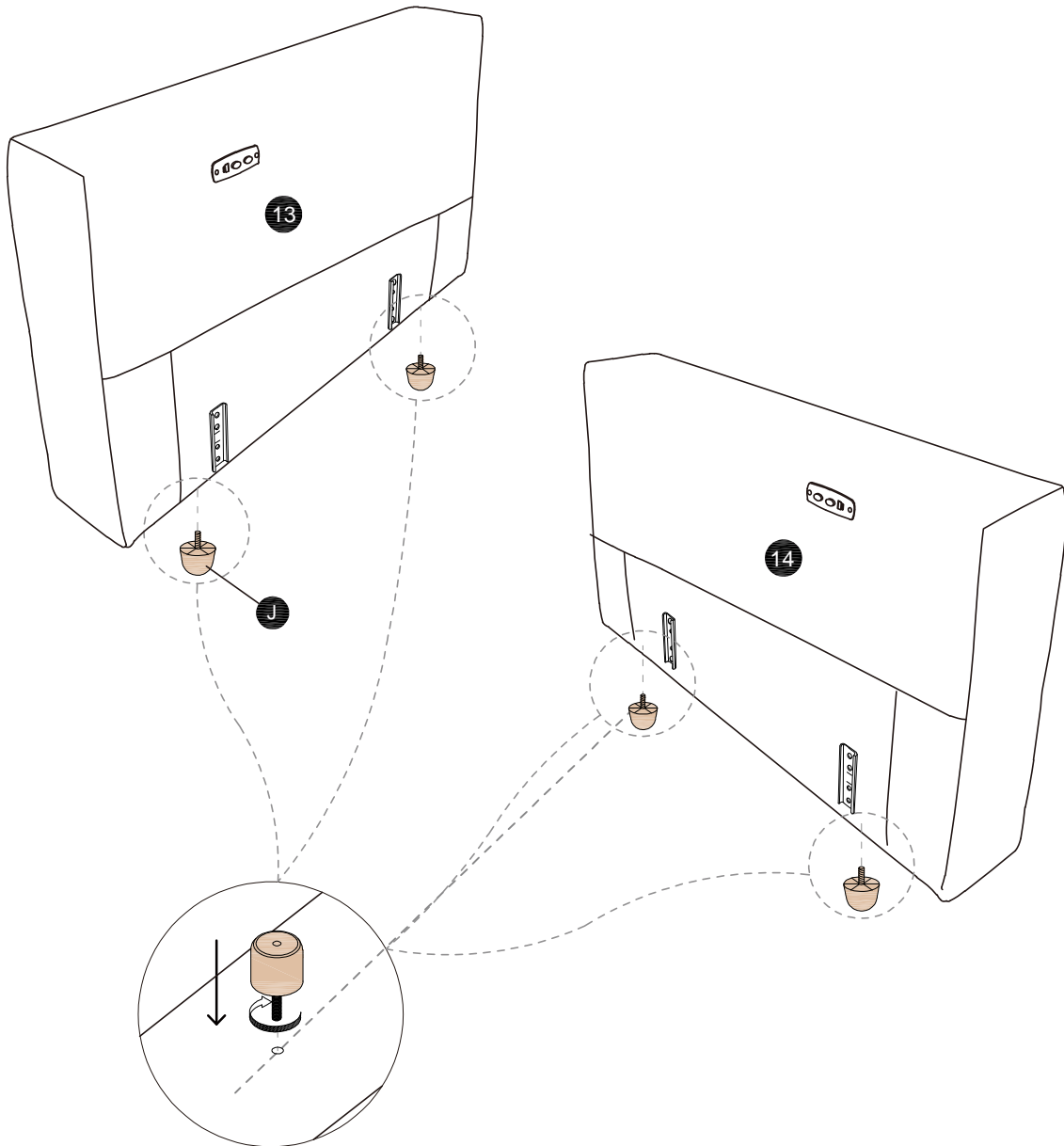
This product is shipped in multiple boxes.

If you buy L-shaped, you will receive four boxes of A+B+C+D,

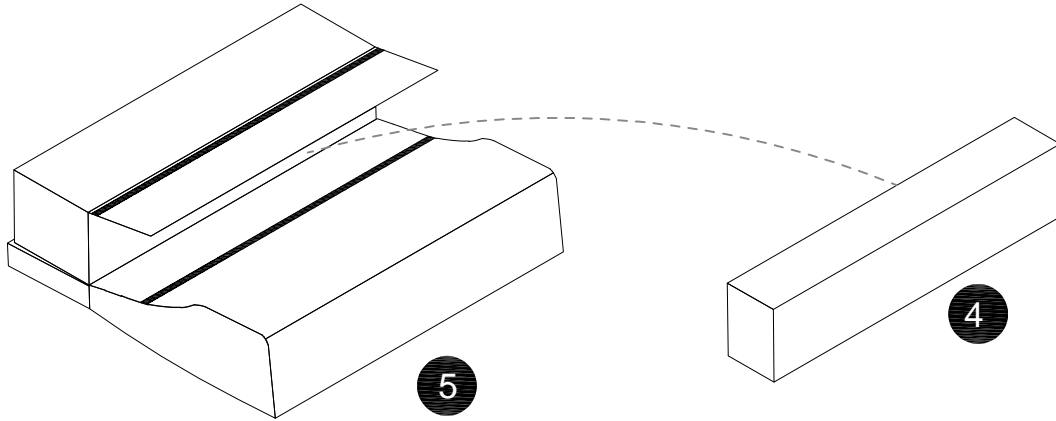
and if you buy U-shaped, you will receive six boxes of A+B+B+C+D+D



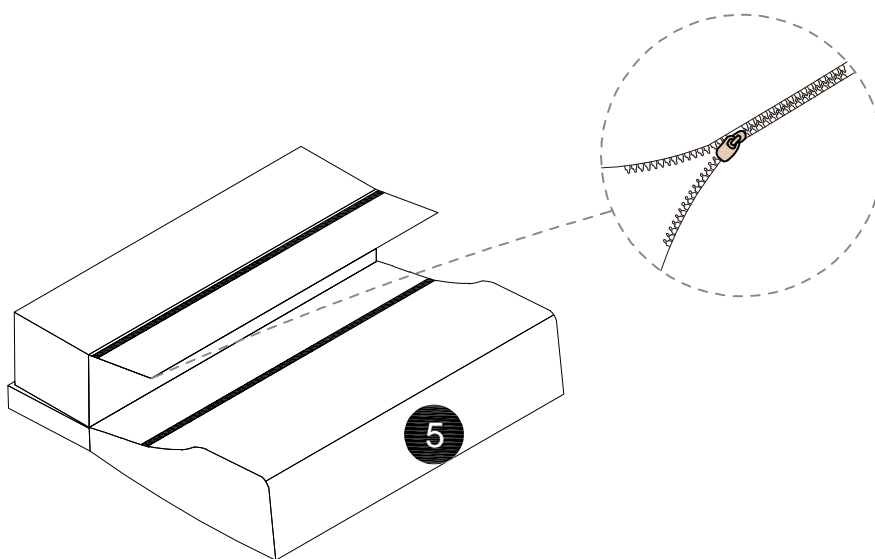
STEP 1 — BOX D



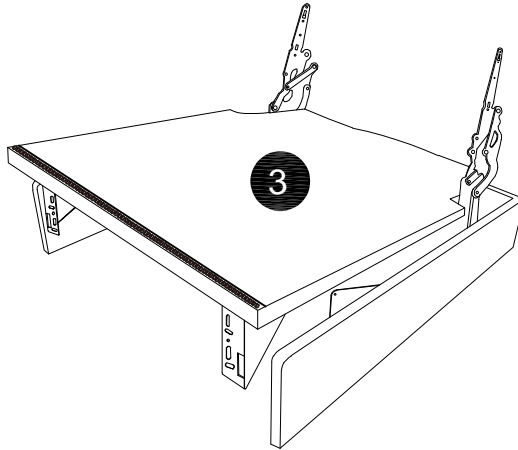
STEP 2 — BOX A(L)



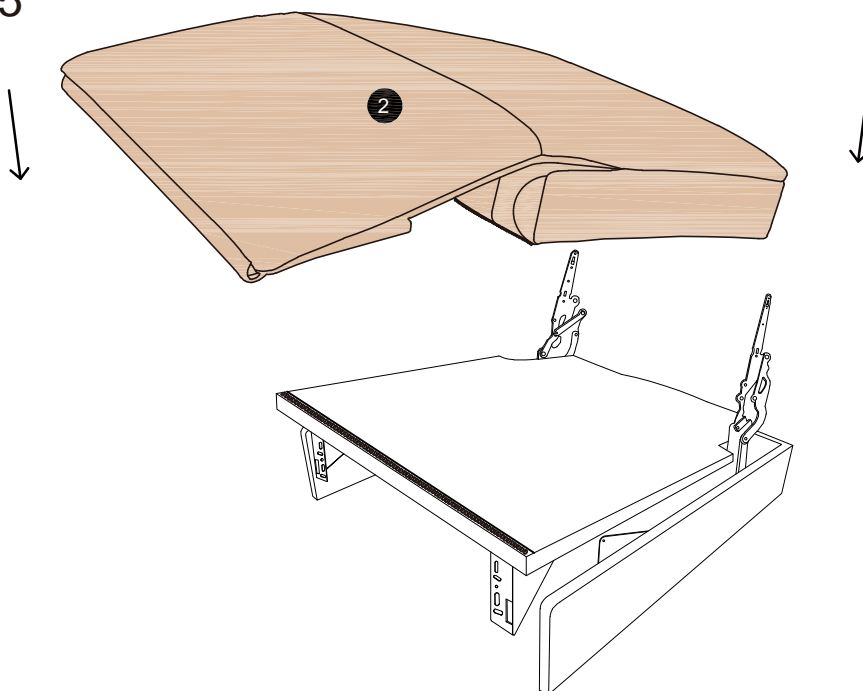
STEP 3



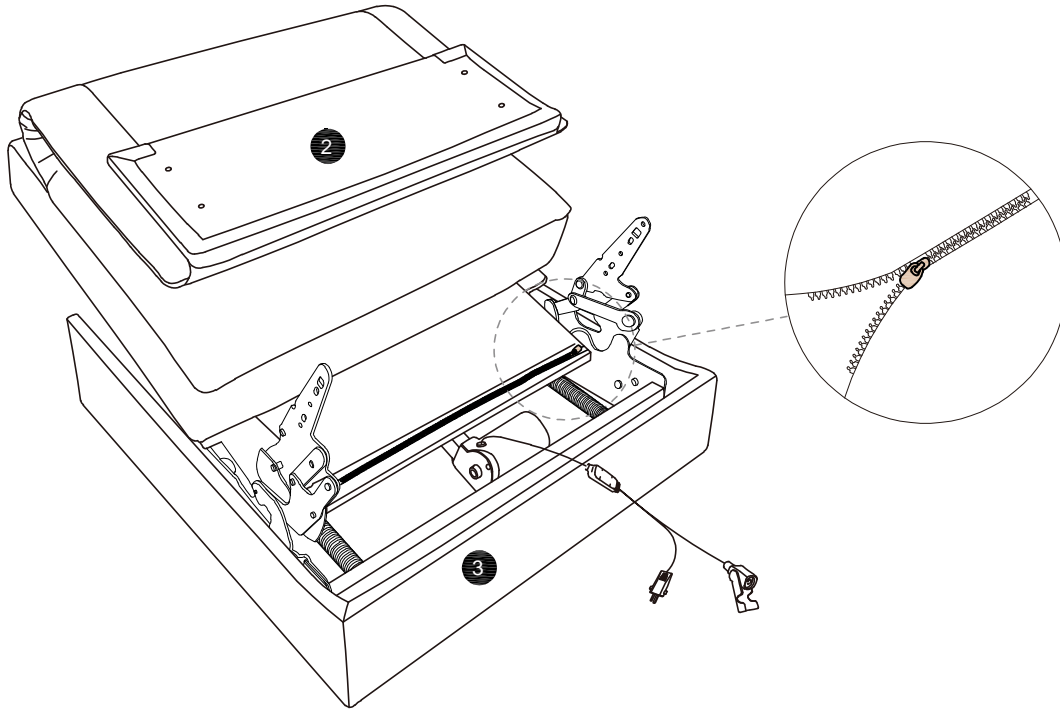
STEP 4 — BOX A(L)



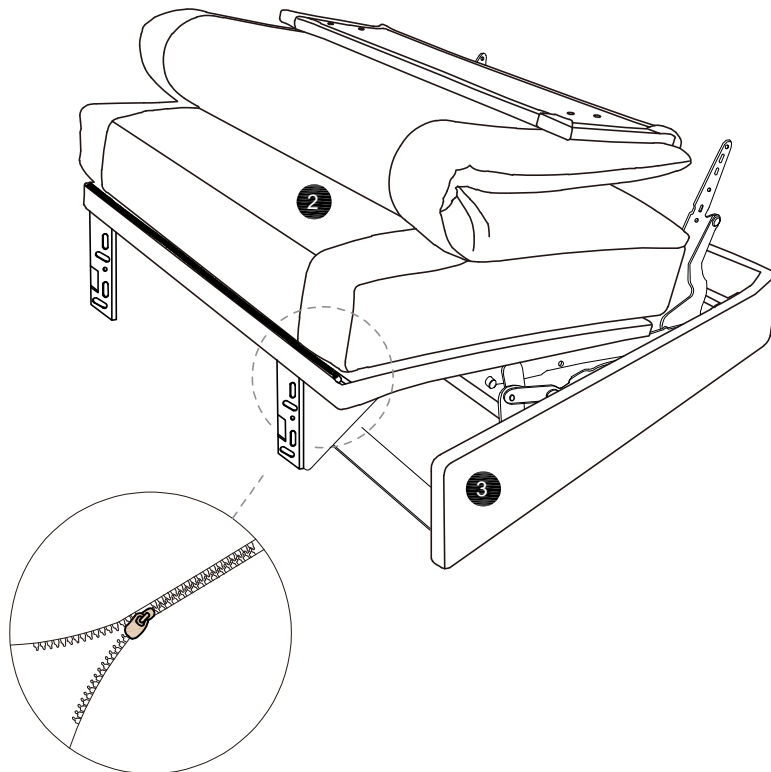
STEP 5

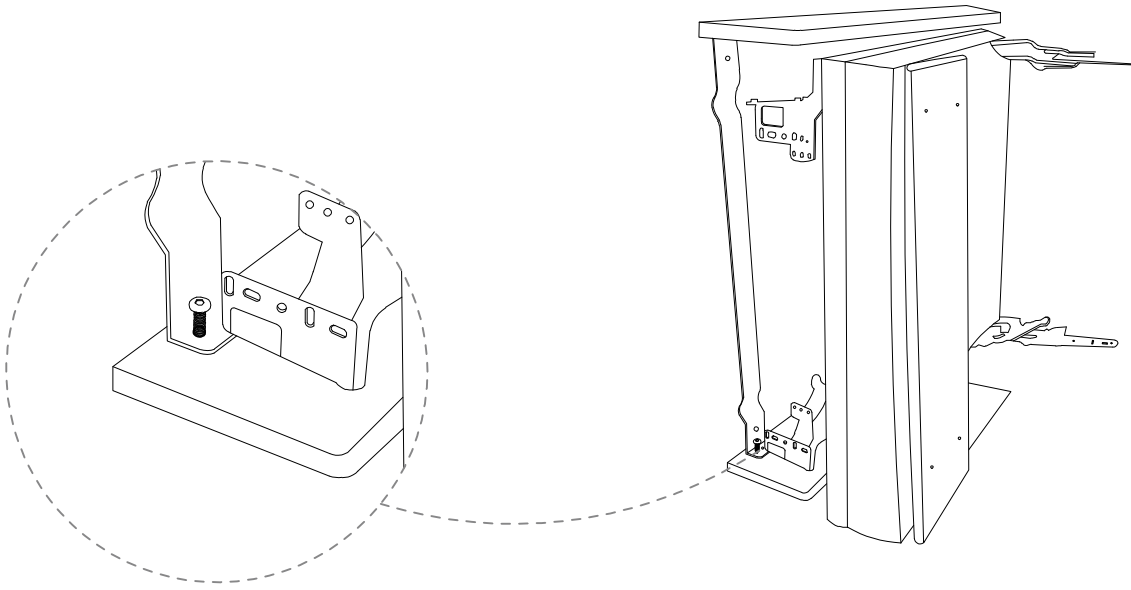
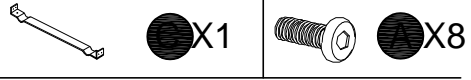
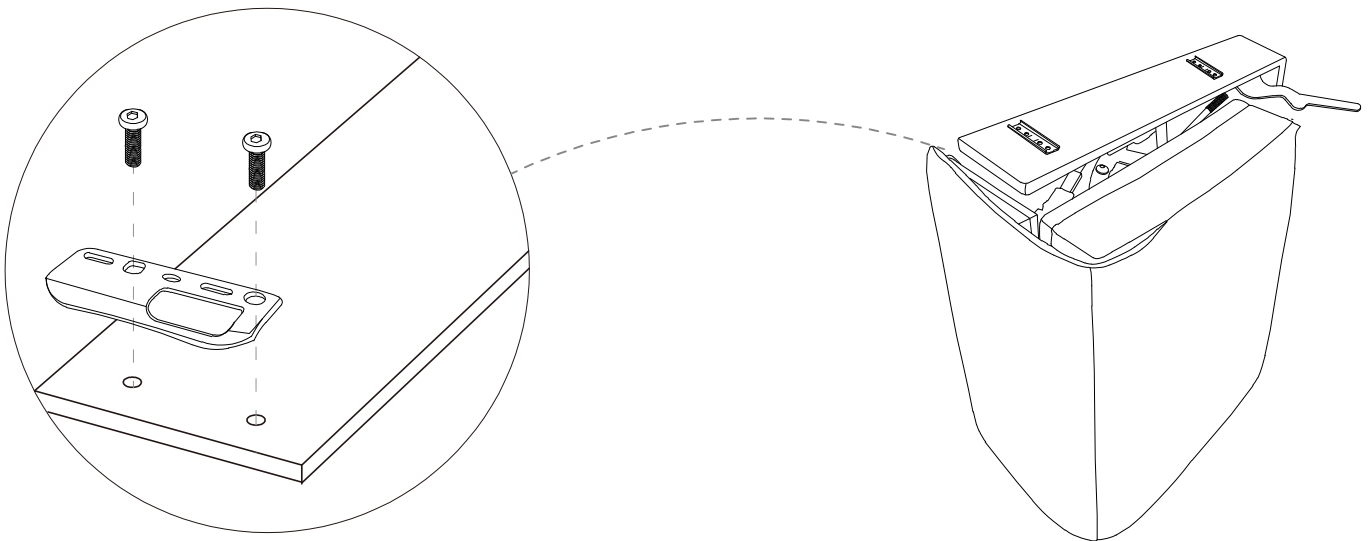


STEP 6 — BOX A(L)




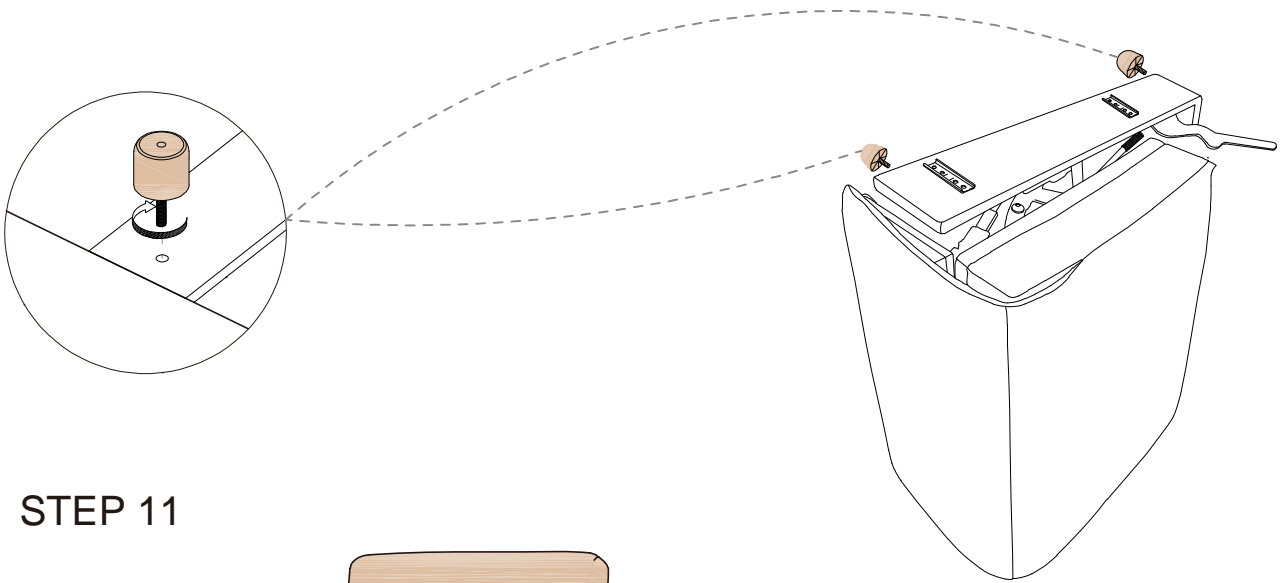
STEP 7



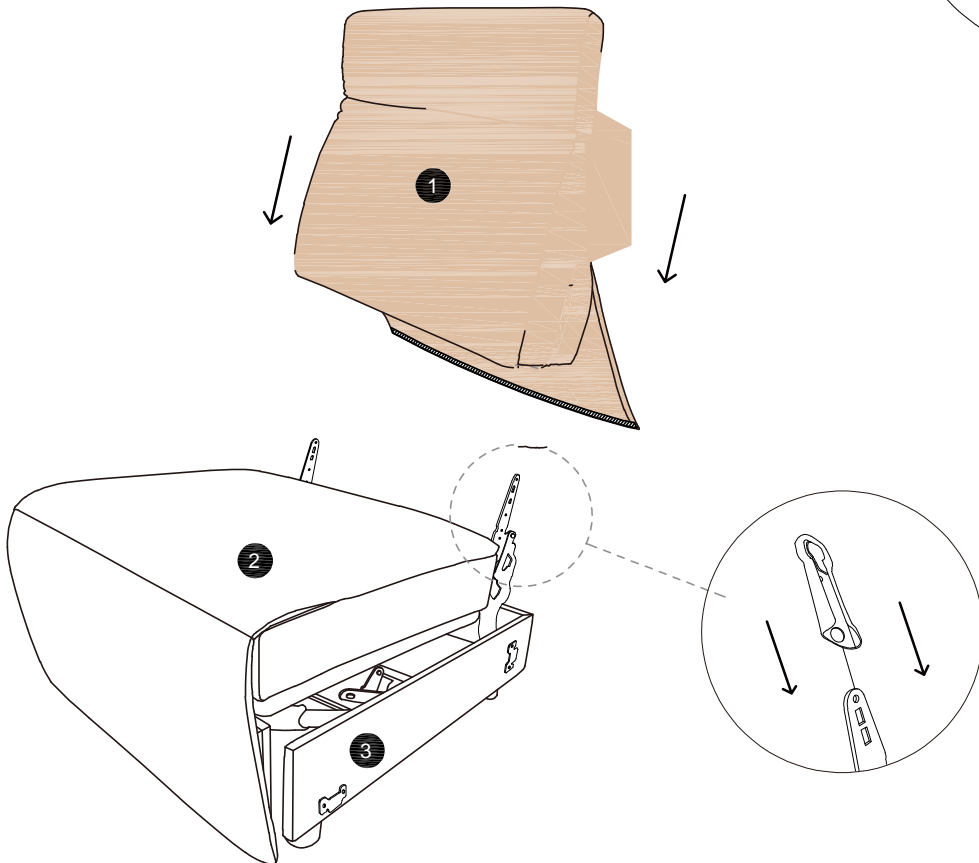
STEP 8 — BOX A(L)**STEP 9**

STEP 10 — BOX A(L)

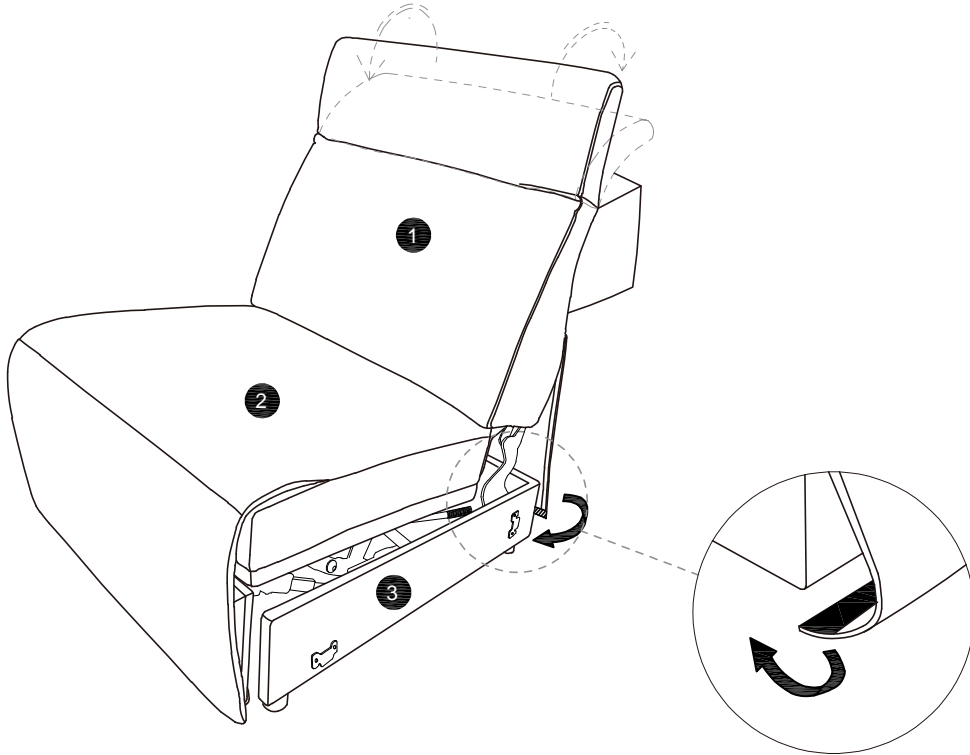
	 X4	
---	--	--



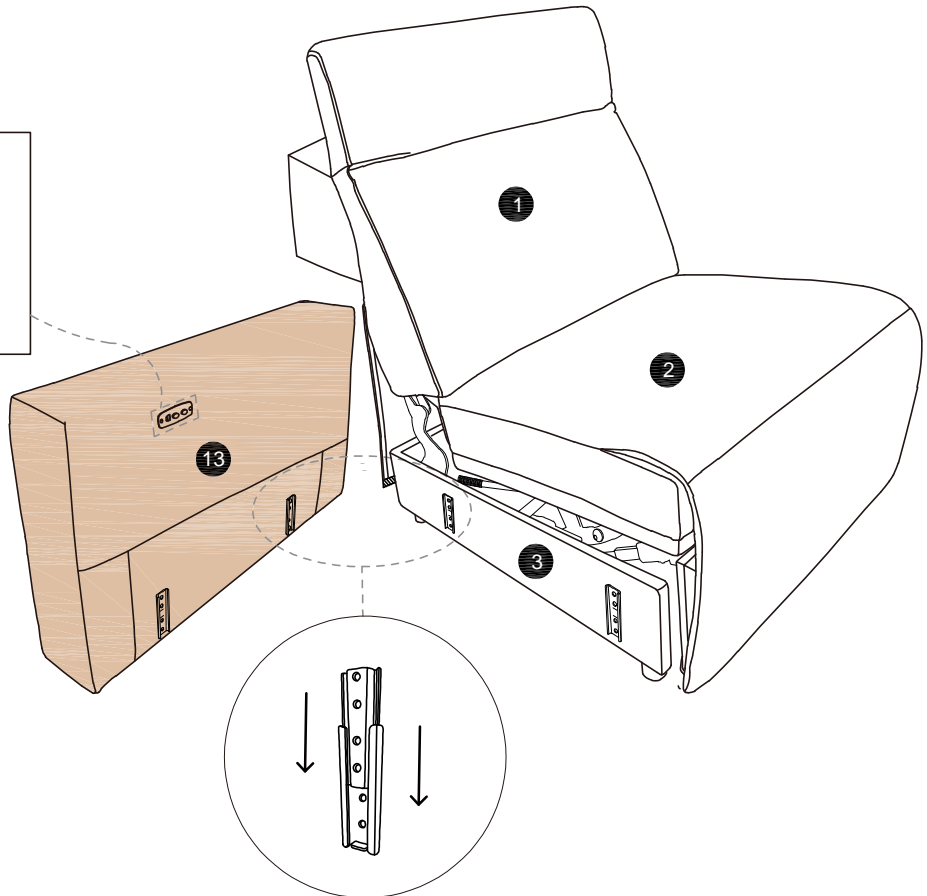
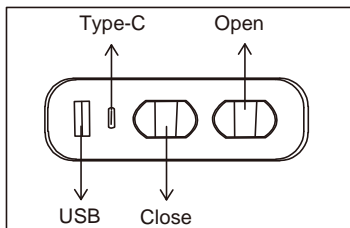
STEP 11



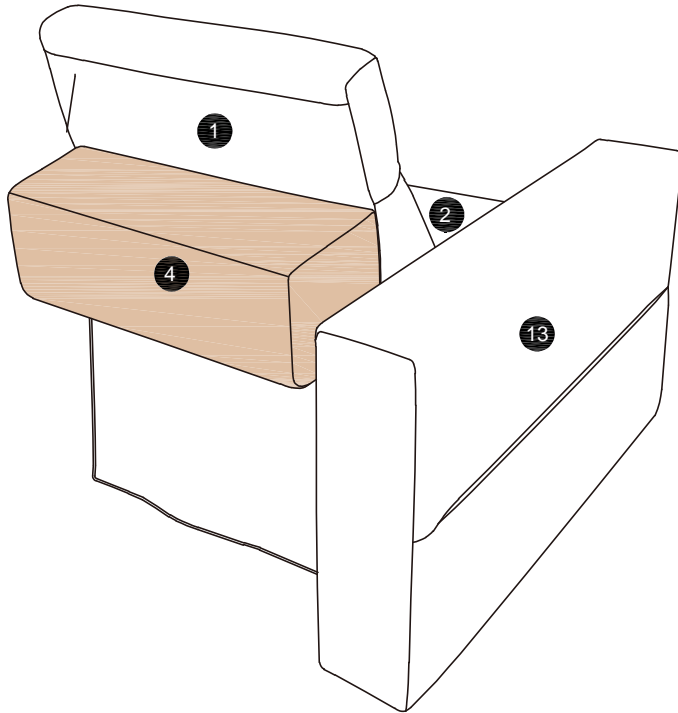
STEP 12 — BOX A(L)



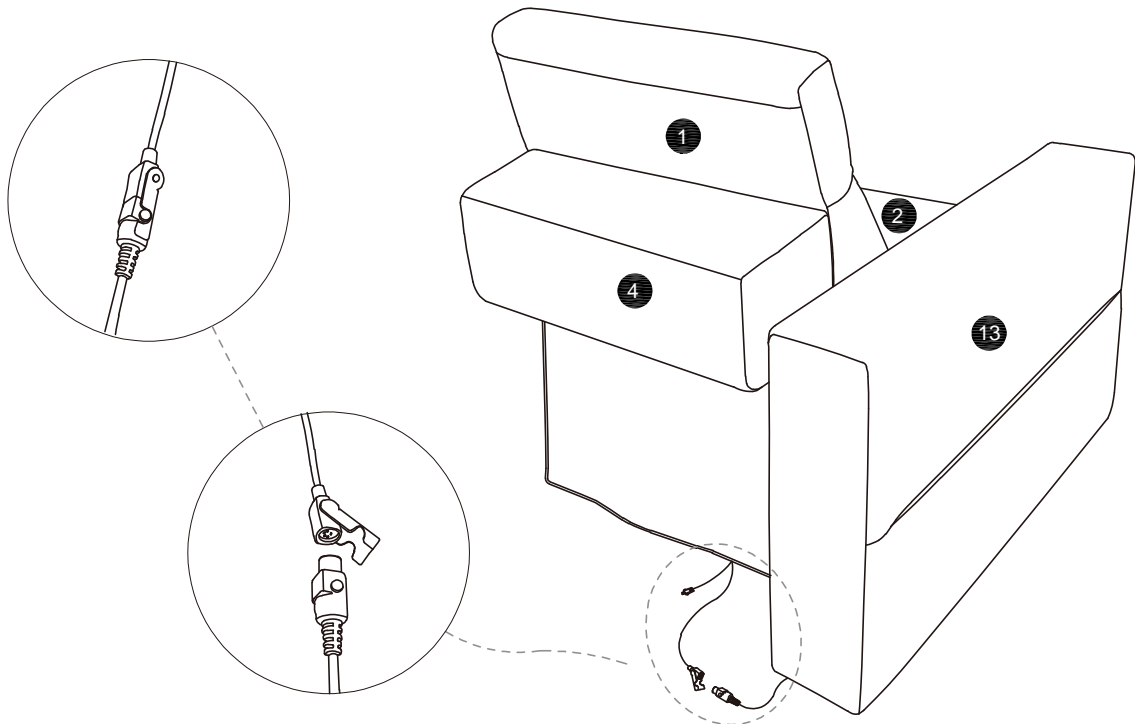
STEP 13

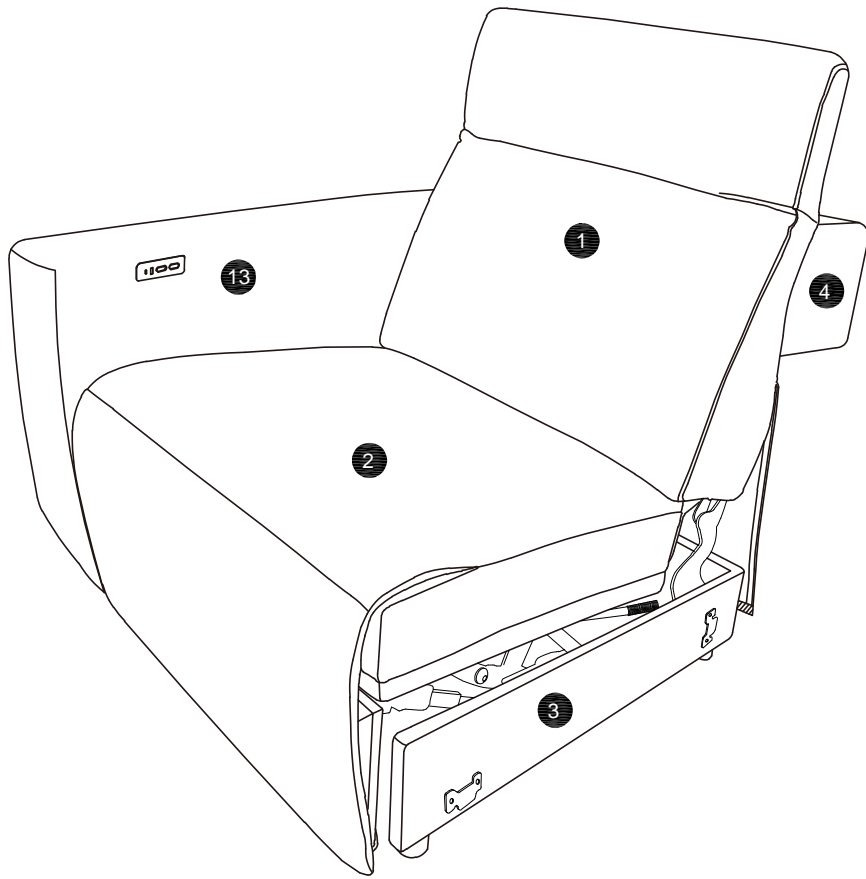


STEP 14 — BOX A(L)

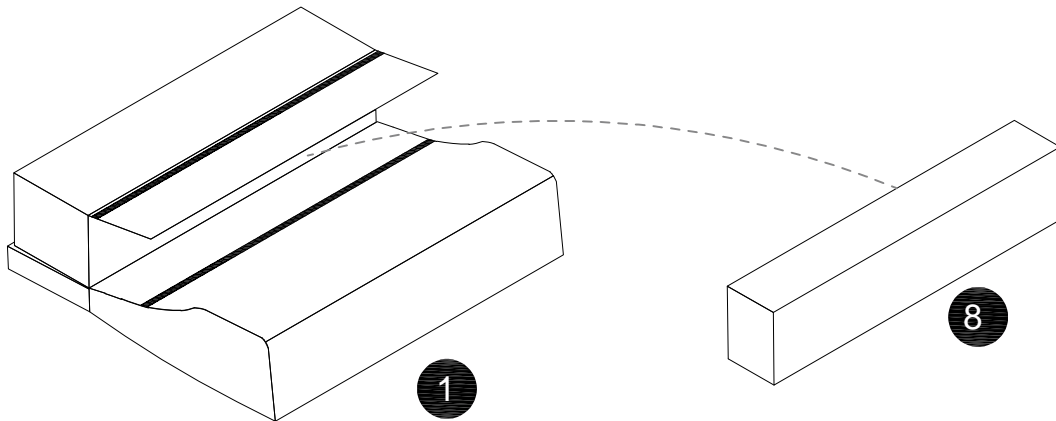


STEP 15

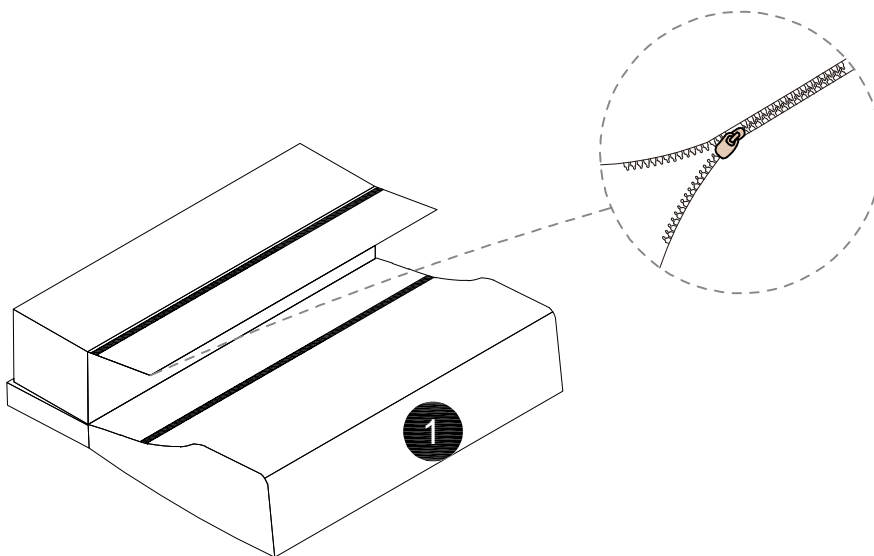


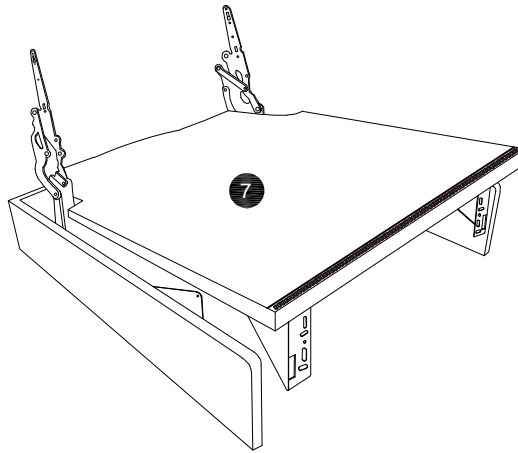
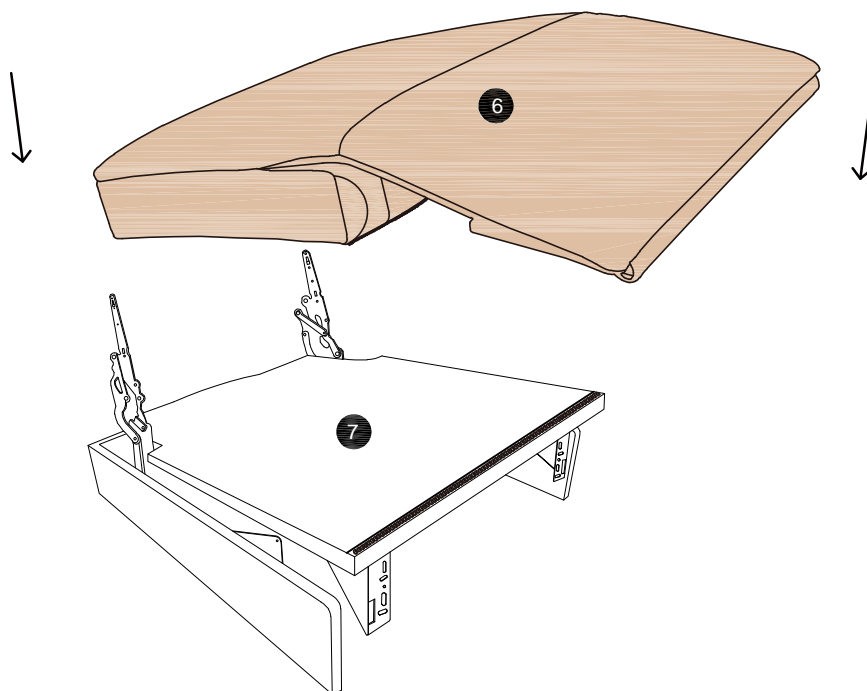
STEP 16 — BOX A(L)

STEP 17 — BOX B(R)

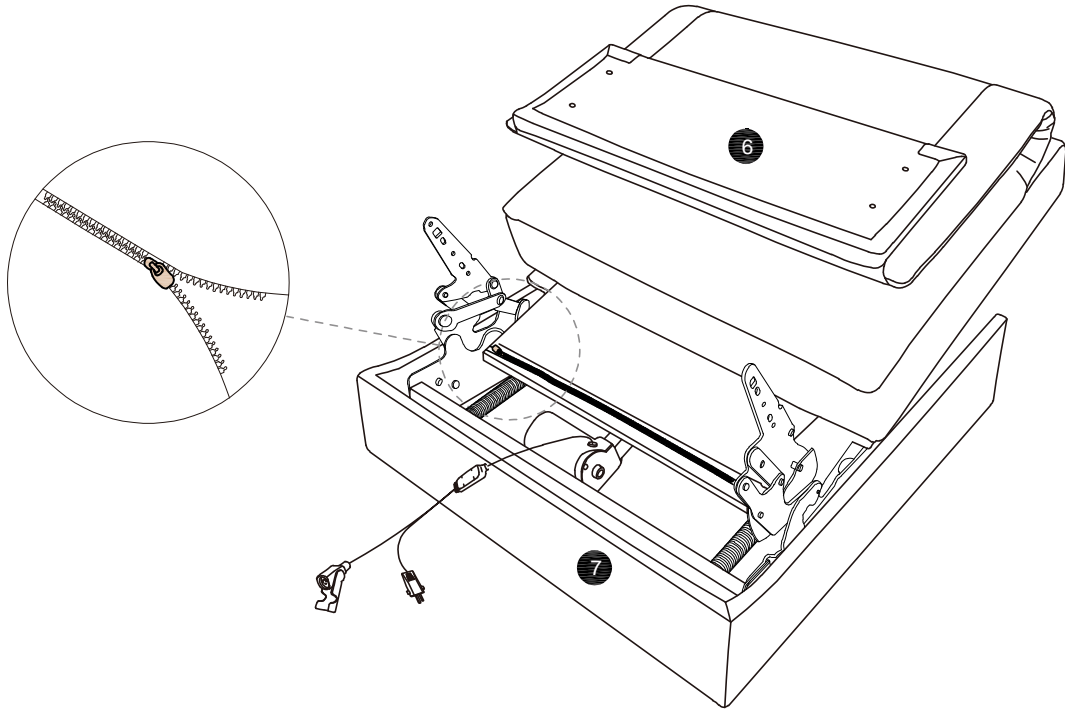


STEP 18

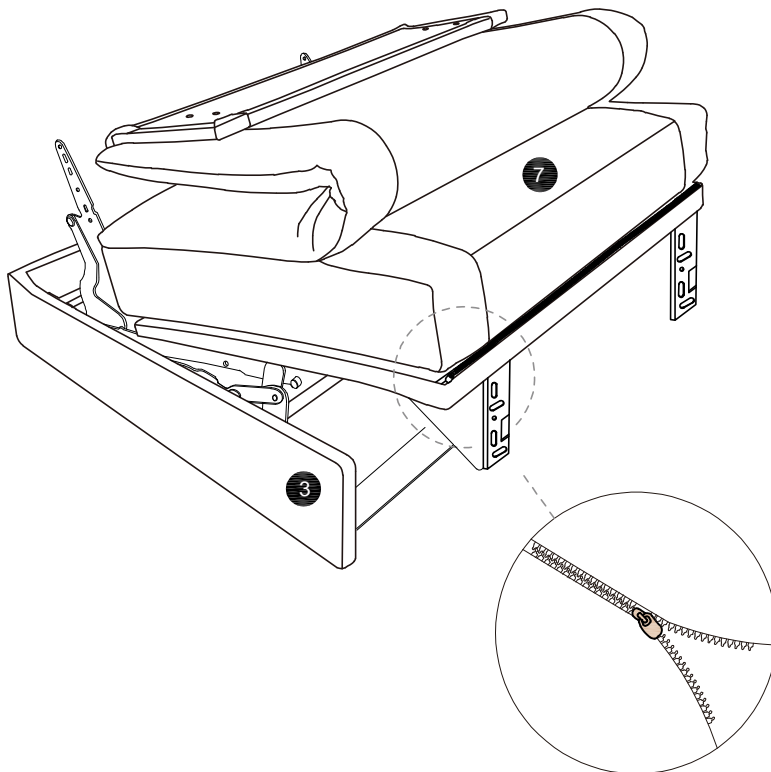


STEP 19 — BOX B(R)**STEP 20**

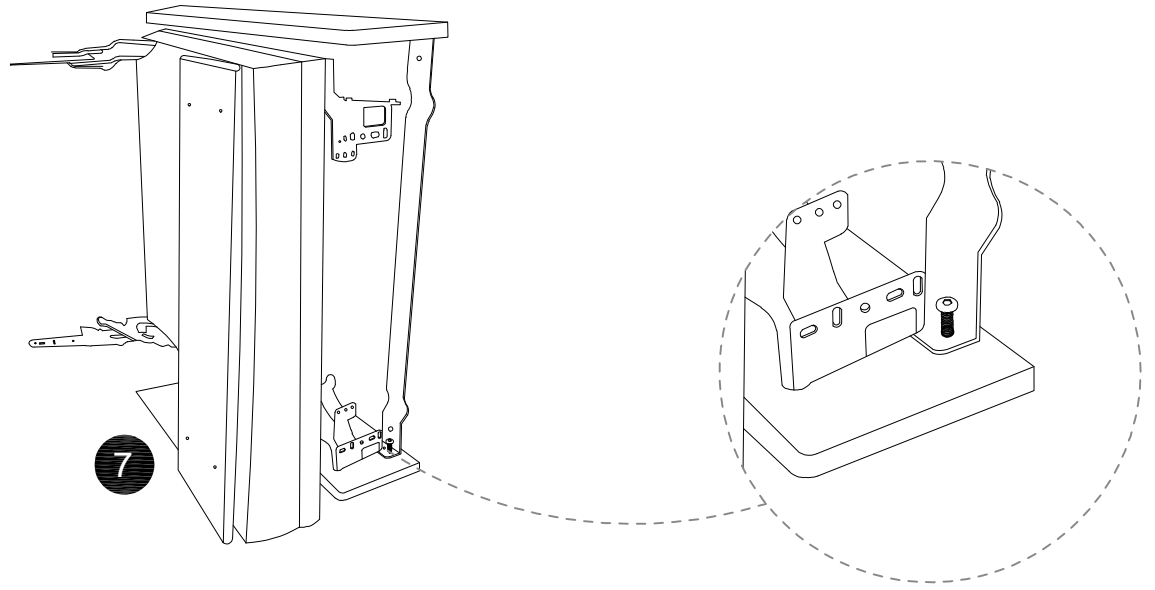
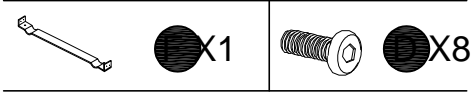
STEP 21 — BOX B(R)



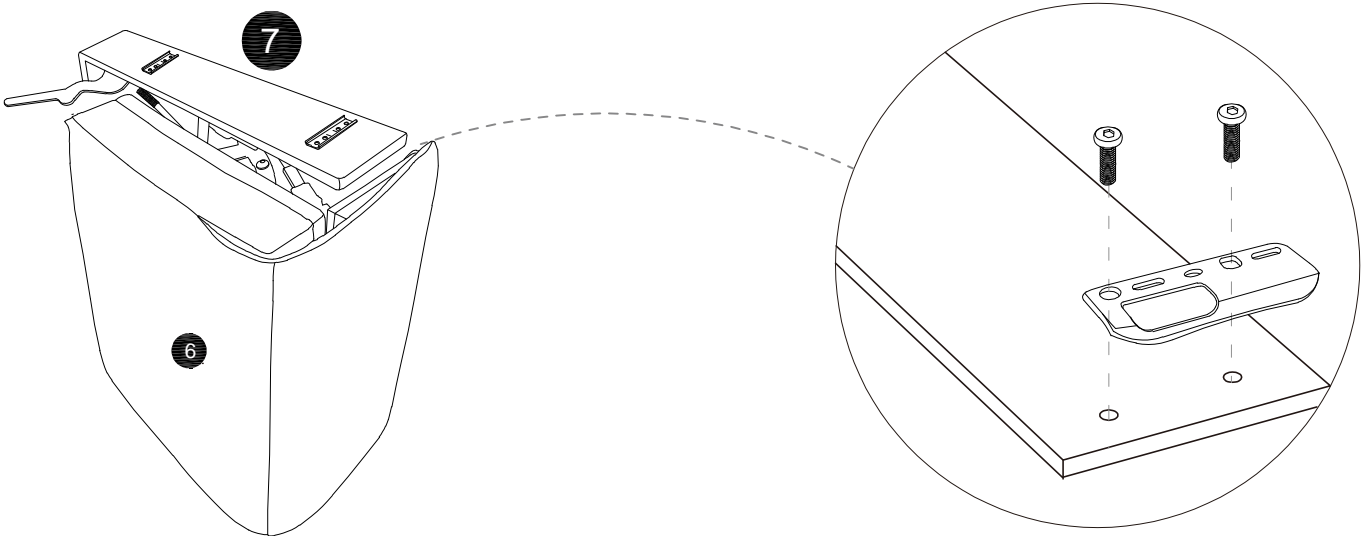
STEP 22



STEP 23 — BOX B(R)

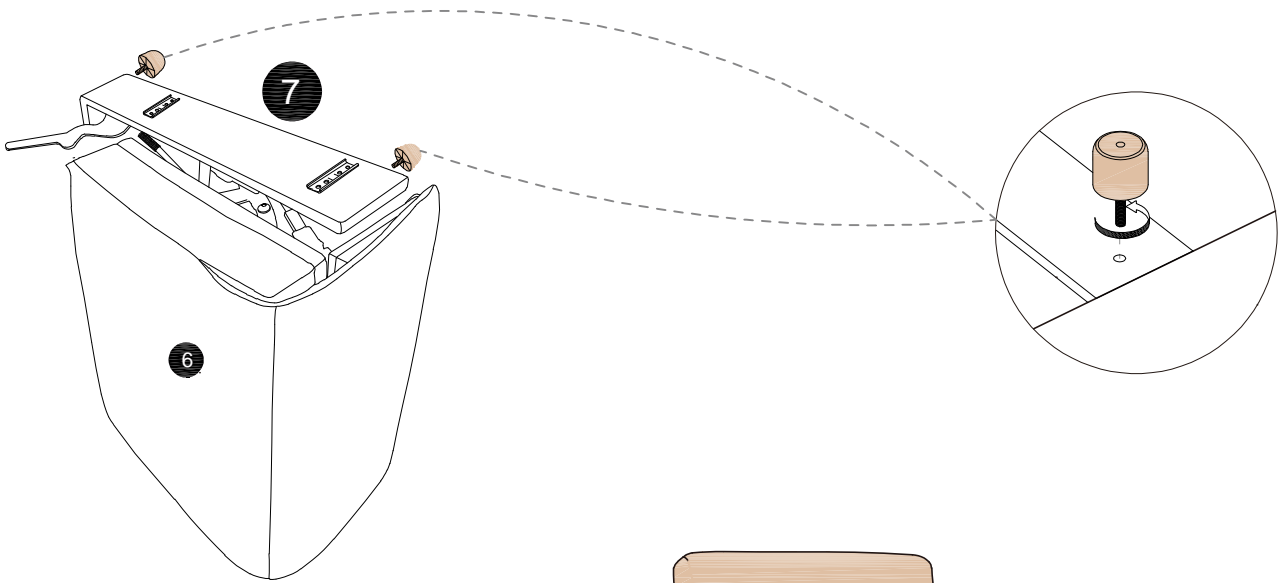


STEP 24

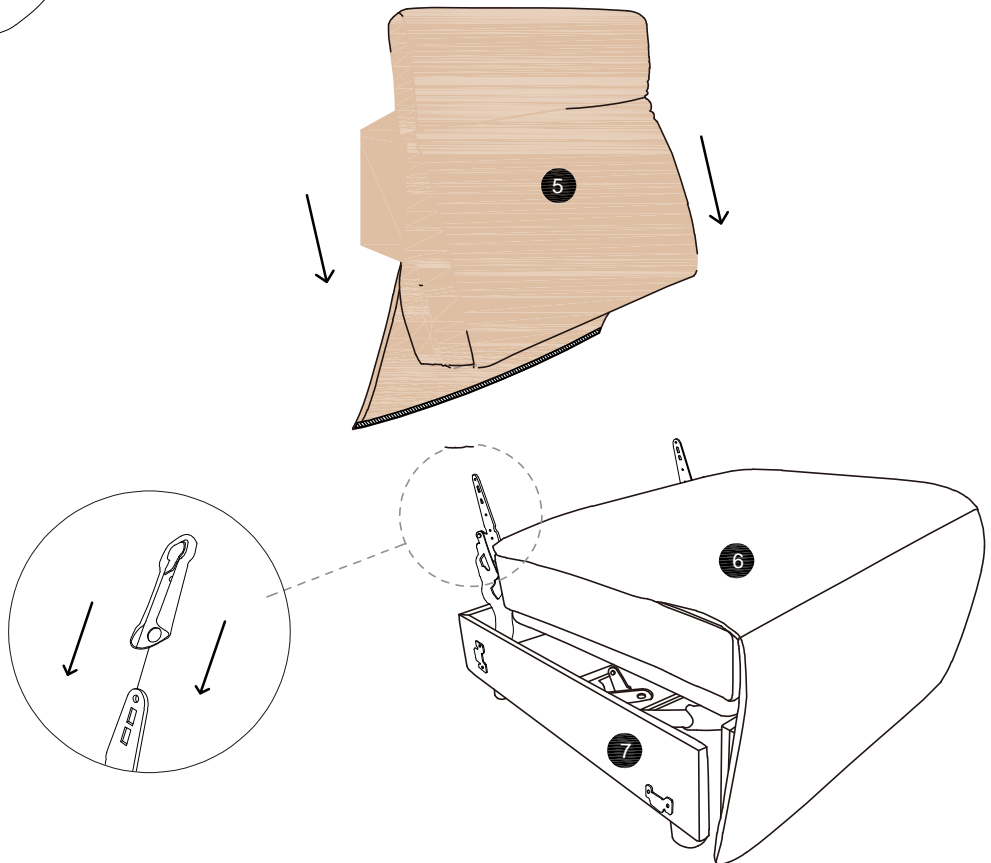


STEP 25 — BOX B(R)

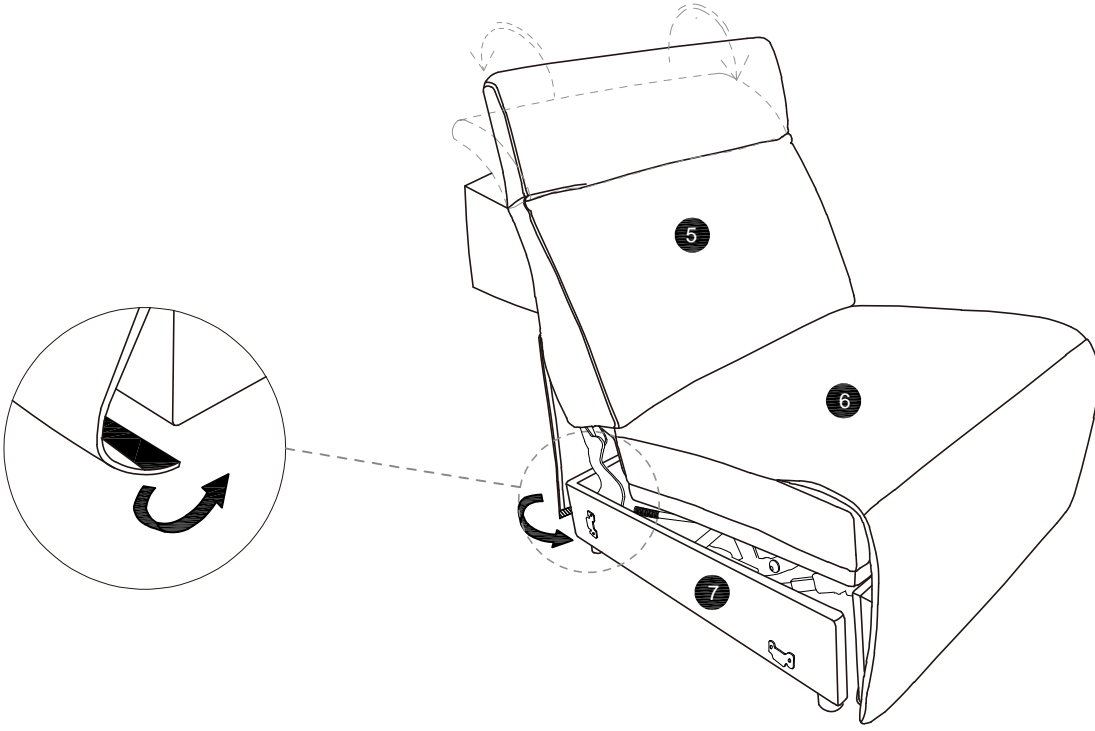
	 X4	
---	--	--



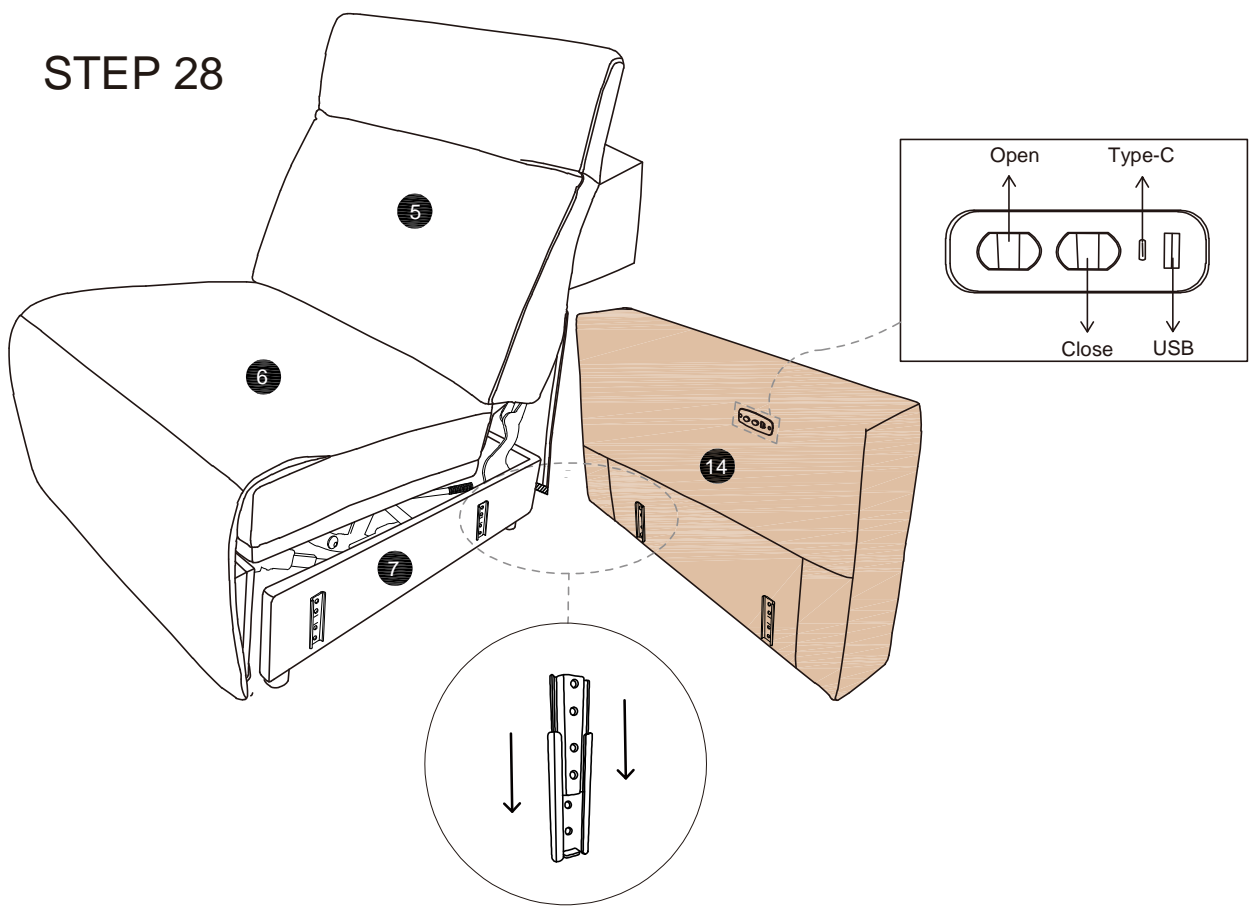
STEP 26



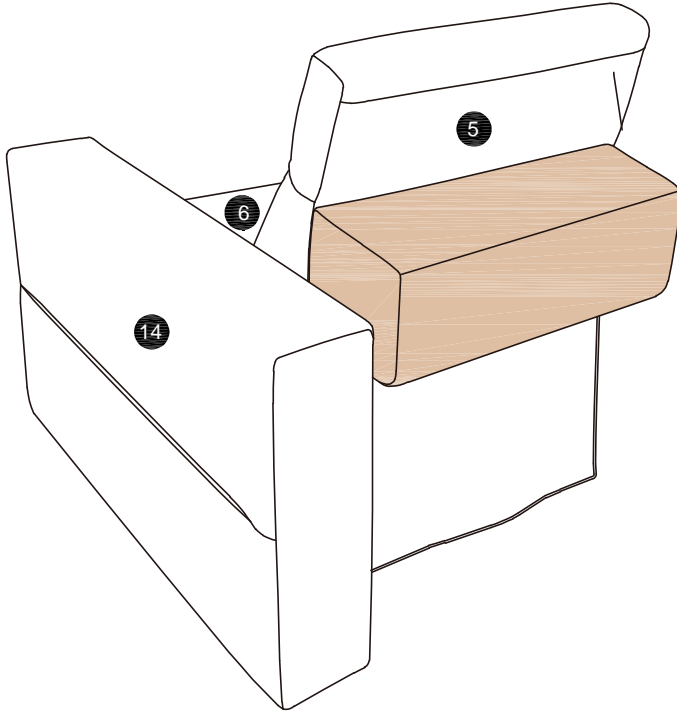
STEP 27 — BOX B(R)



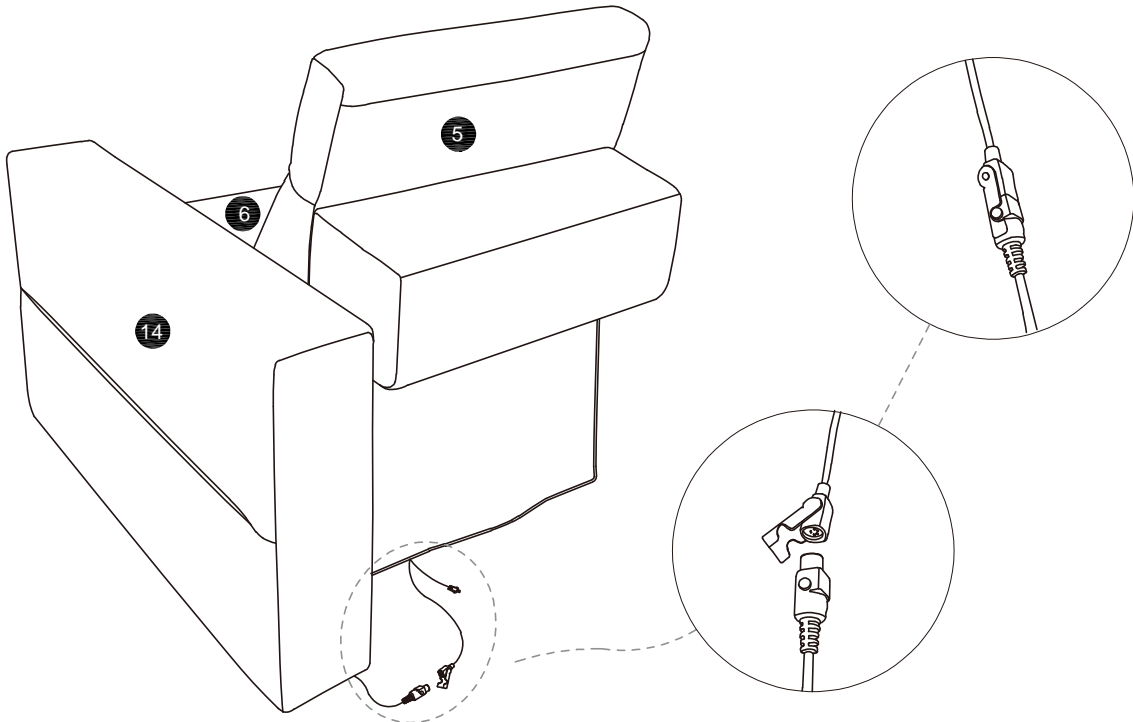
STEP 28



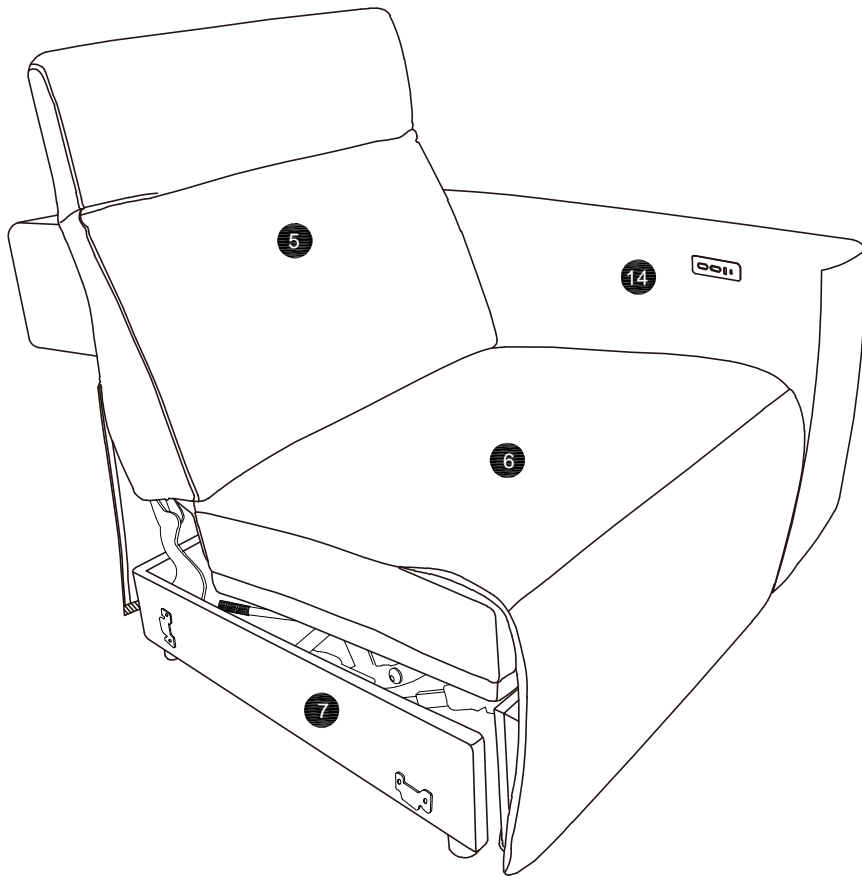
STEP 29 — BOX B(R)



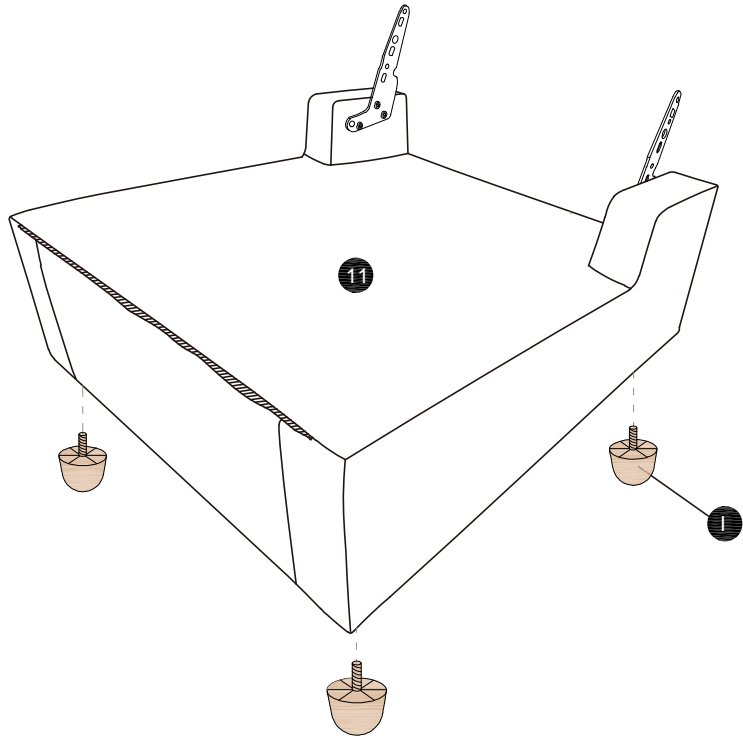
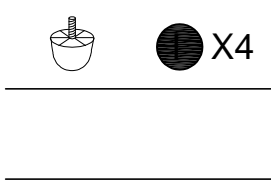
STEP 30



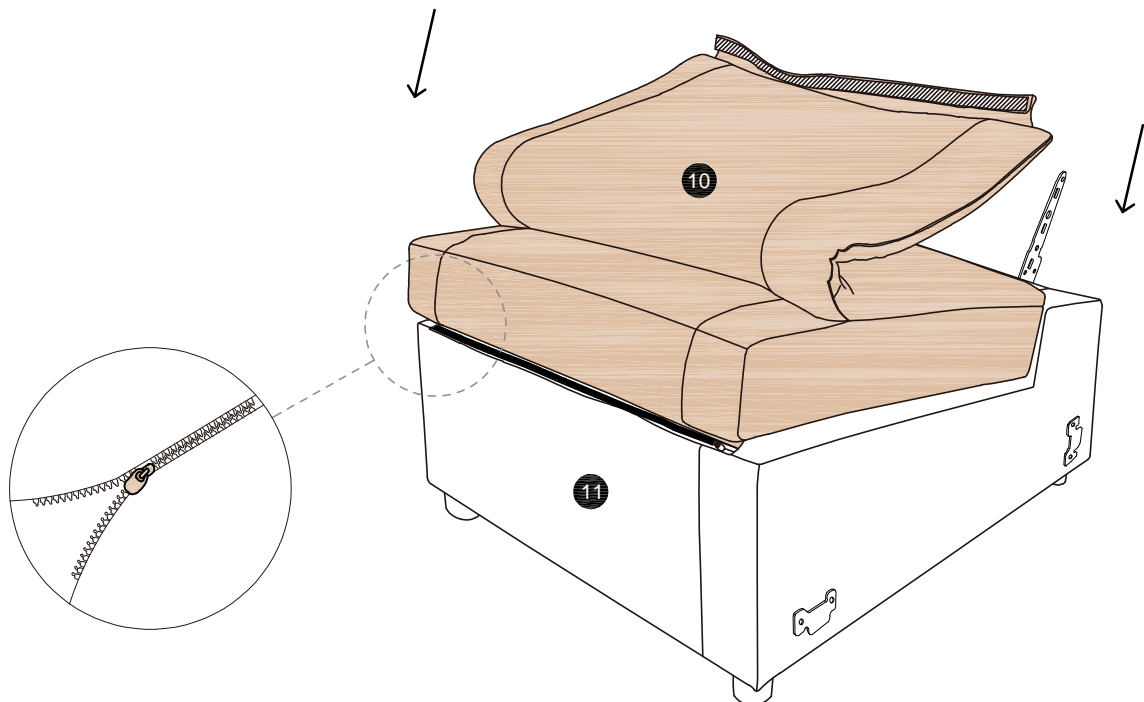
STEP 31 — BOX B(R)



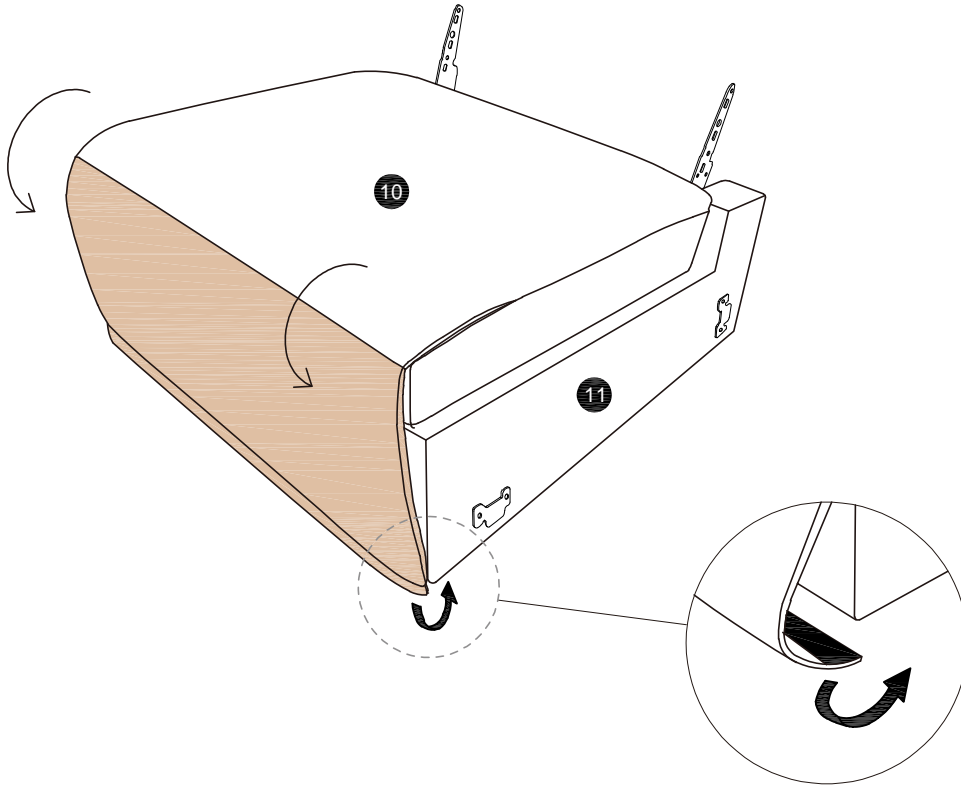
STEP 32 — BOX C



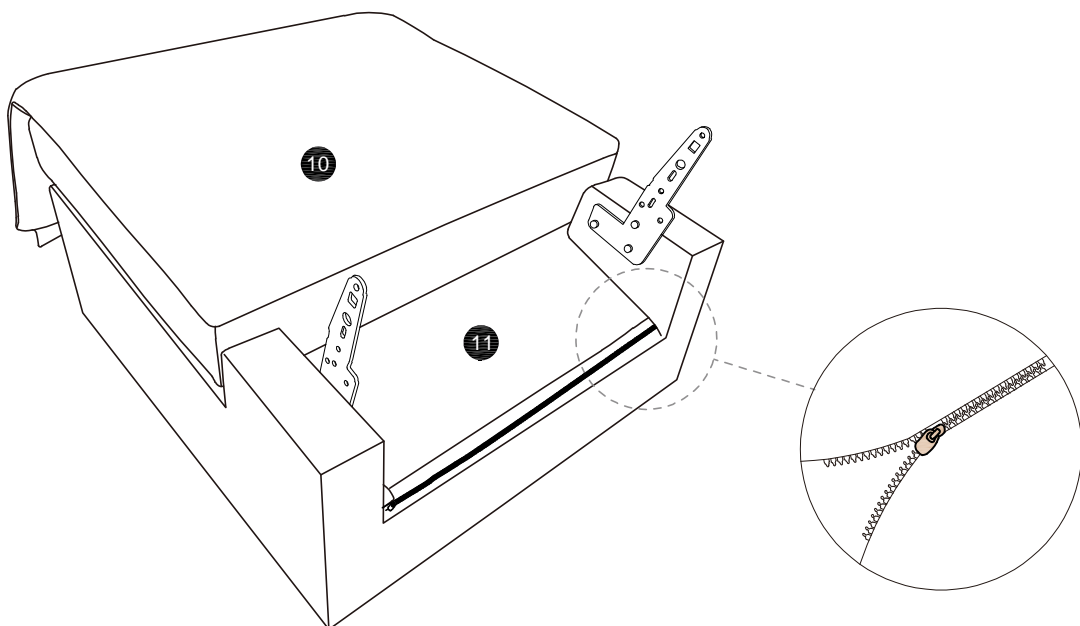
STEP 33



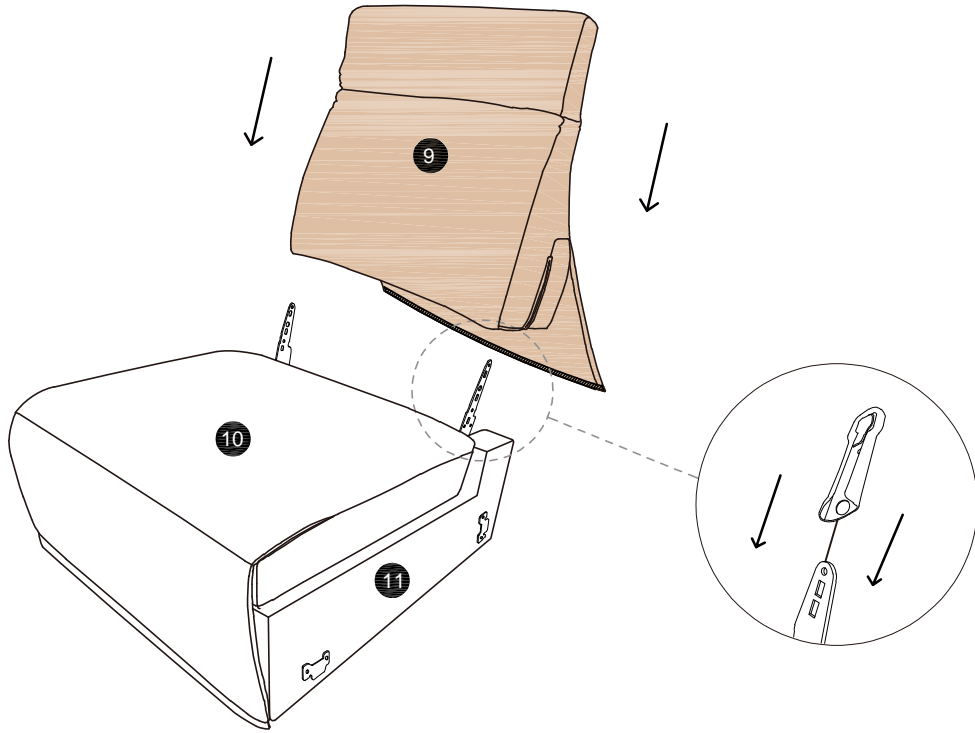
STEP 34 — BOX C



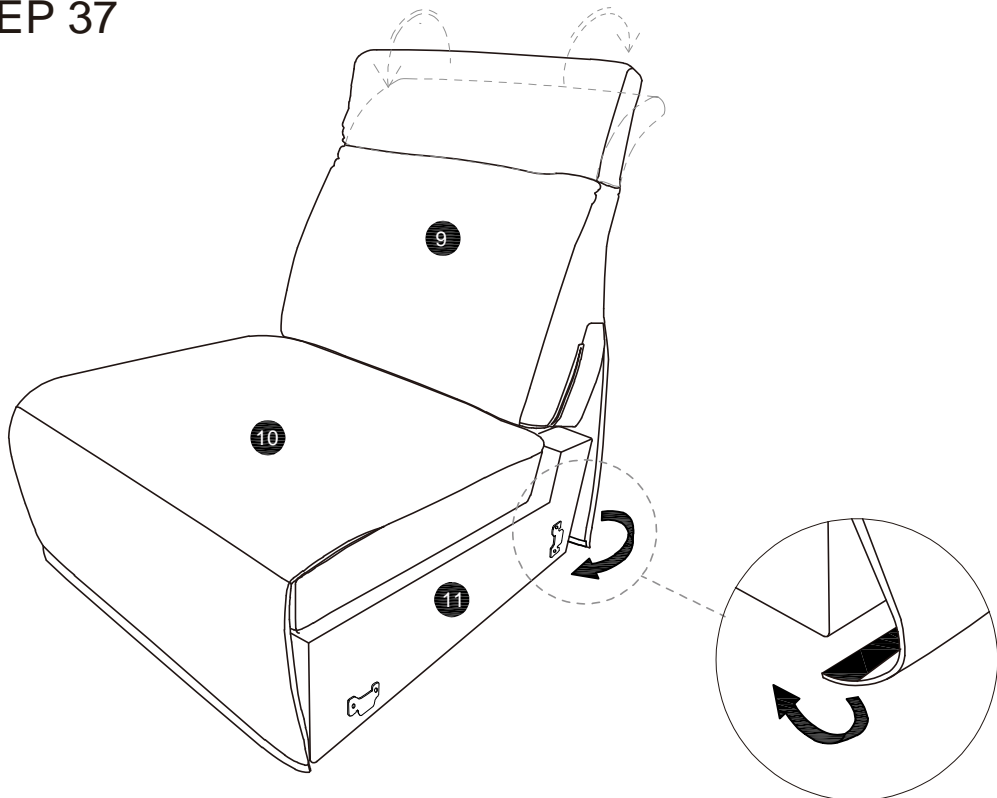
STEP 35



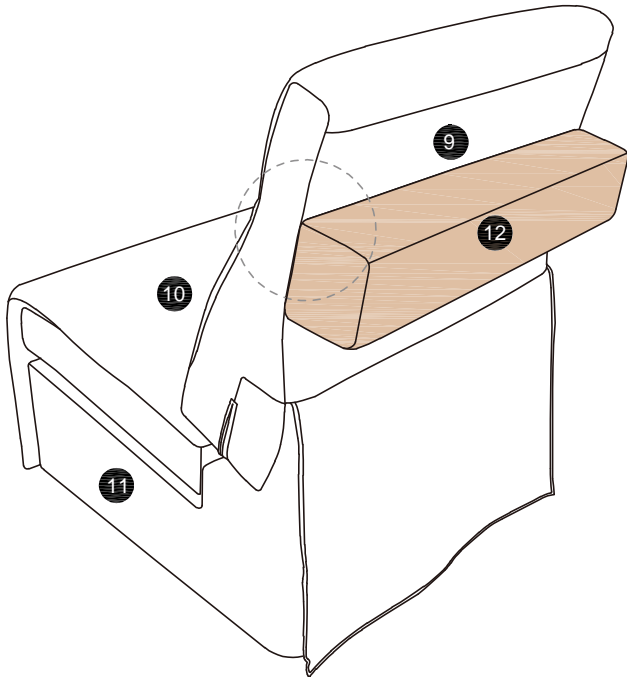
STEP 36 — BOX C



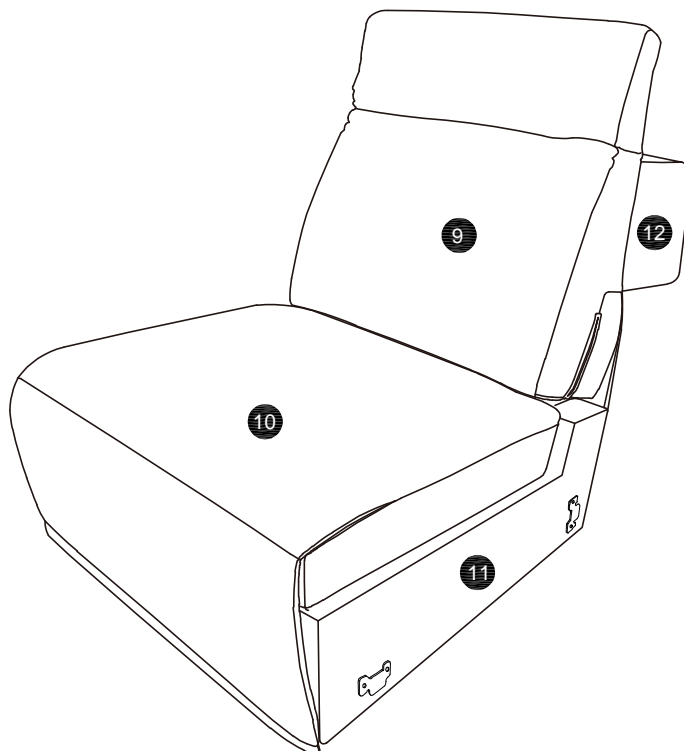
STEP 37



STEP 38 — BOX A(L)

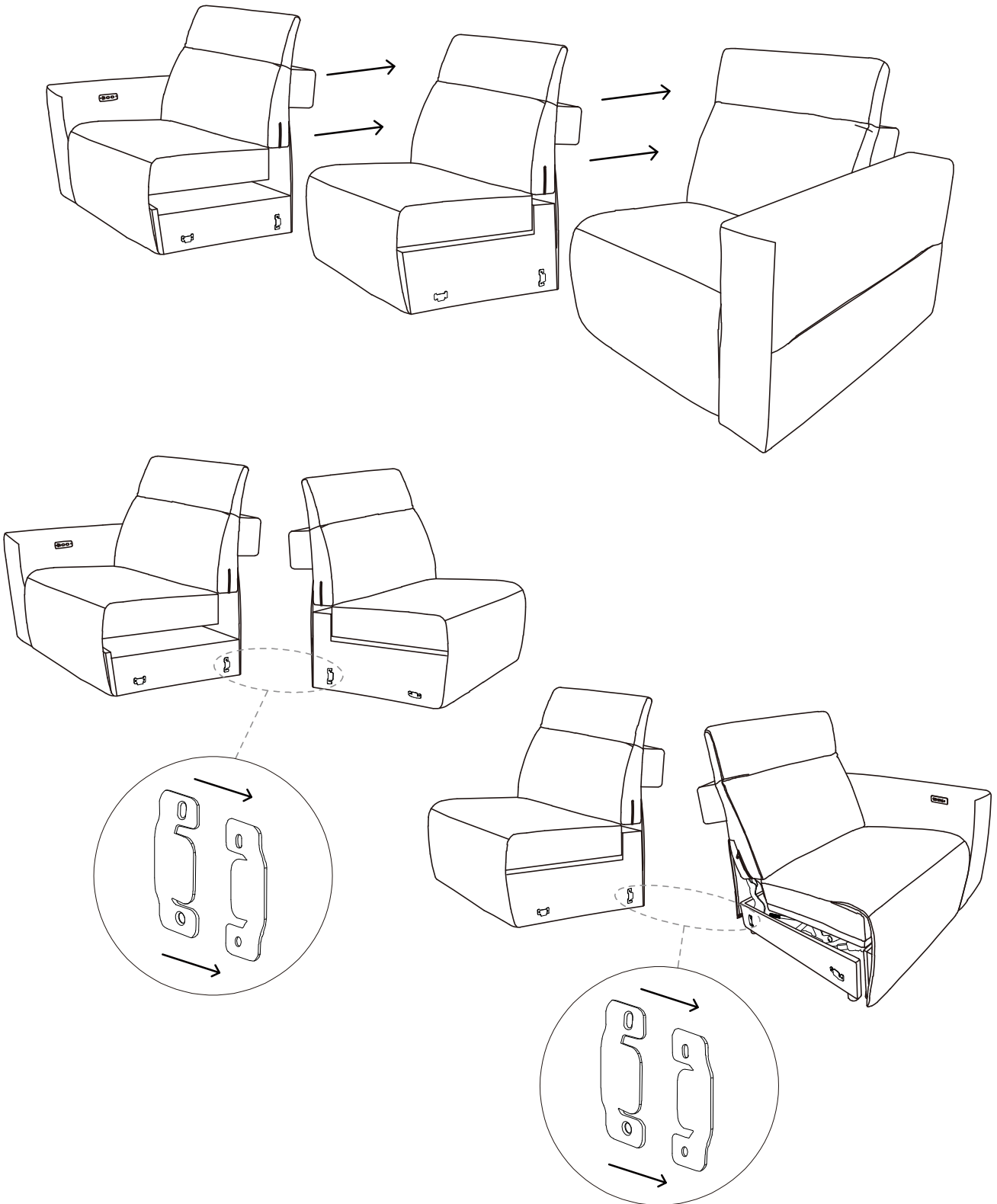


STEP 39



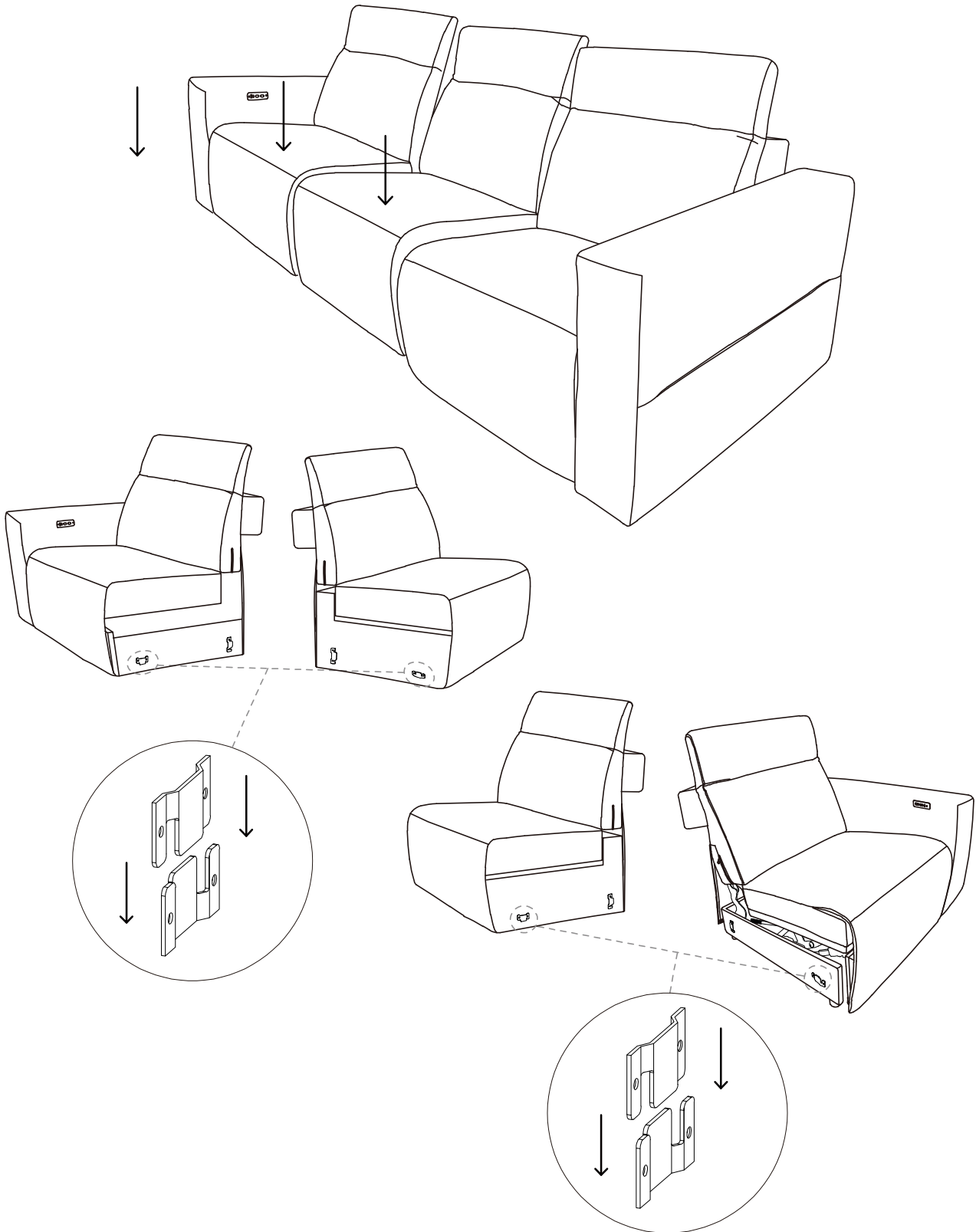
STEP 40

To connect the sofas together, the first step is to install the functional inserts as follows.



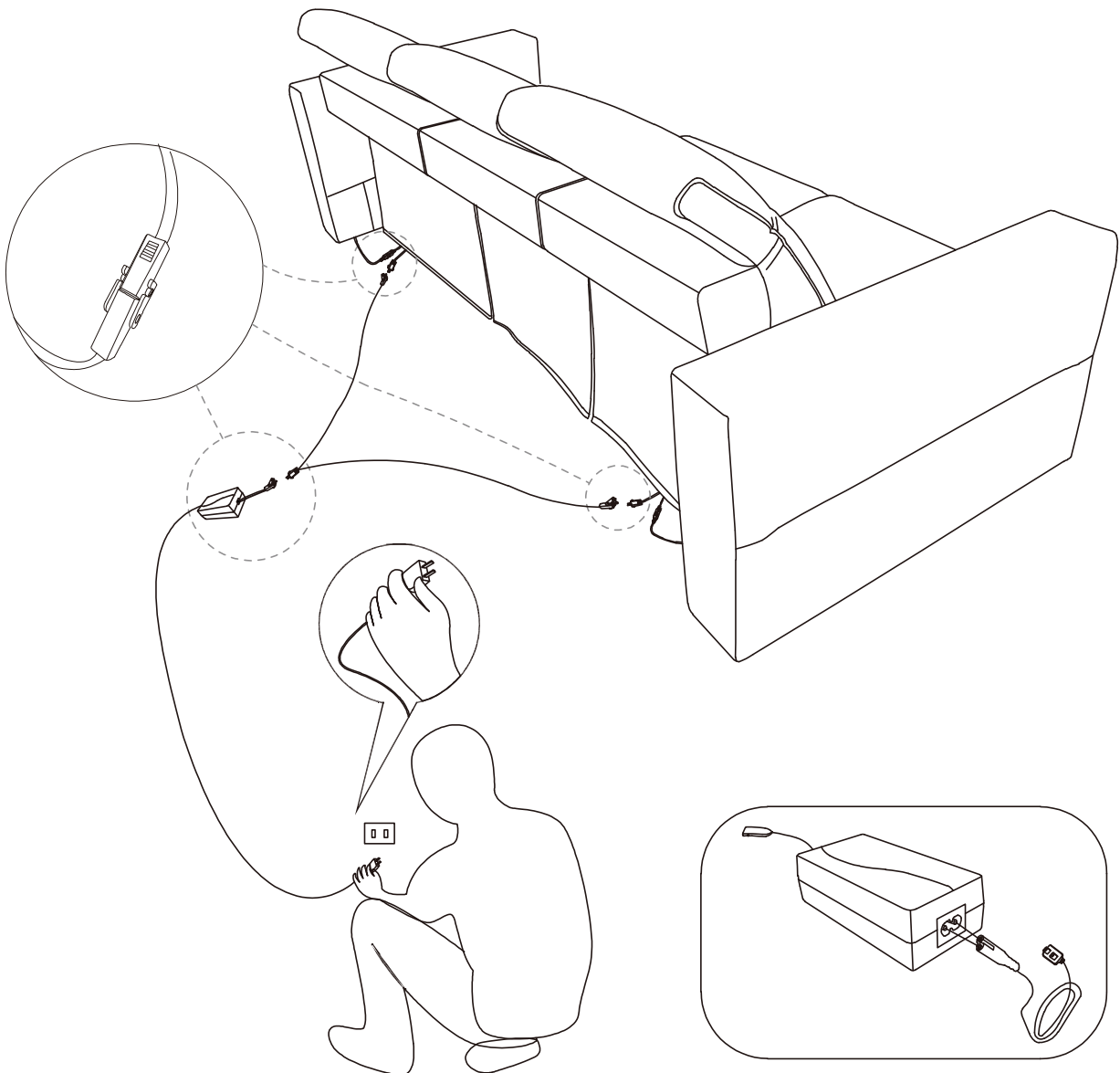
STEP 41

Connect the sofas together; the second step, inserting the functional parts, requires the following steps.

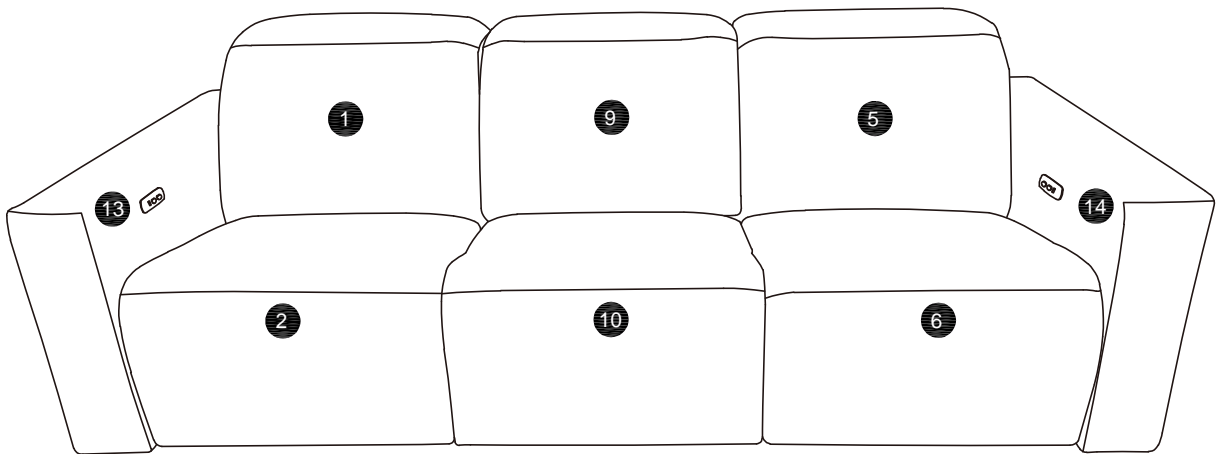


STEP 42

After assembling the sofa, connect the power supply.



STEP 43



Fabric Down Sofa Care Guide

Air-Drying Care: Refresh with Moderate Sunlight

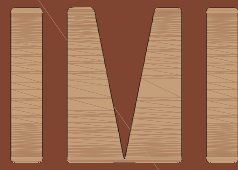
- If the sofa is consistently exposed to humid conditions, it may develop mold or odors. On sunny days, air-dry it outdoors once a month (or every 2–3 months in dry climates). Avoid excessive sun exposure to prevent fabric fading and down fiber damage.
- Limit sun exposure to 2–3 hours. Gently pat the surface during air-drying to help fluff the down. Avoid prolonged exposure (over 4 hours), which may cause fabric stiffness or down clumping.

Cleaning Care: Keep Your Sofa Fresh

- If the sofa cover is removable (check product specifications—some designs are non-removable), machine wash it on a gentle cycle using a mild detergent in cold water (below 86°F). Do not spin-dry; however, a short dehydration cycle of 1–2 minutes is acceptable. Reattach the cover promptly after drying to prevent fabric shrinkage.

By following these care instructions, your down-filled sofa will remain soft and comfortable for years to come.

If you have any questions, please feel free to reach out to our customer service team!



ModernMate

After-Sales Service Hotline: (800) 661-5928