

DREAMS

IDEA

Instruction Manual



ABOUT US

DREAMSIDEA IS A ONE-STOP HOME
FURNISHING AND SERVICE COMPANY BASED IN USA.

WE ARE DEDICATED TO BRINGING YOUR DREAM HOME TO LIFE.

OUR SERVICES COVER FROM DESIGN, PRODUCTION,
DIRECT SELL, STORAGE, AND TRANSPORTATION.

IF REALITY IS THE NEAR SHORE

AND IDEALISM THE FAR SHORE,

DREAMSIDEA

AS THE FERRY BETWEEN THEM,

EAGER TO ACCOMPANY YOU ON A JOURNEY

TO YOUR IDEAL HOME.



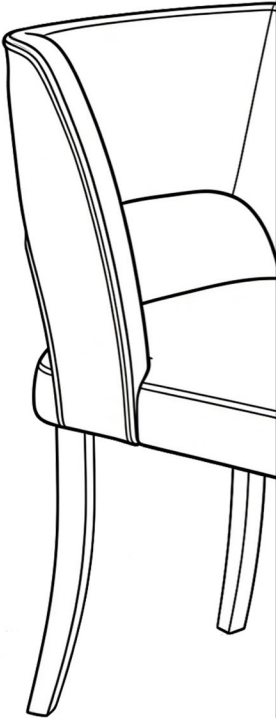
ITEM NO.DINCH03

WARRANTY

We strive to offer high quality product and we also try our best to satisfy each customer that order from us, no matter on products or services as needed. Each customer receives a record of their order, such as the order number or item receipt. For any items that are out of warranty period, you may still be able to purchase the replacement parts from our company if they are available.

Are you having difficulty
with assembly? Missing parts?
Please contact us : info@firstopintl.com
Tel: (562)-781-3327

send an email with your order No. to us
For return, please check the return policy with
the retailer or platforms you bought from.
Appreciate your purchasing from us.
Pop up your life by our furniture !



MAINTENANCE AND WARNING

Please read the manual thoroughly
before you start installing.

Please keep the product away from
sharp object.

Packaging and small parts may have
chocking hazard, please keep them away
from children and pets.

Please clean the product according to each
clean code, check the product description
for more information.

Please keep the product away from
fire.

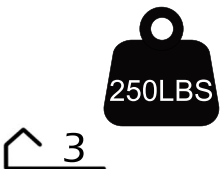
If you have any other questions, please
contact us, we will be glad to help you out.

If the product is placed under direct
sunlight, the pattern or color might fade
away overtime.

Check the product periodically to make
sure everything is secured and tightened.

Always use proper tools for installation.

Do not jump on the product.



Around 15 min

PRODUCT DESCRIPTION

Chenille fabric. Exceptionally soft, plush, and skin-friendly to the touch. The surface pile offers visual and tactile warmth, significantly enhancing seating comfort and a cozy feel.

Ergonomic curved backrest: The backrest's arc naturally follows the spine's curve for just-right support.

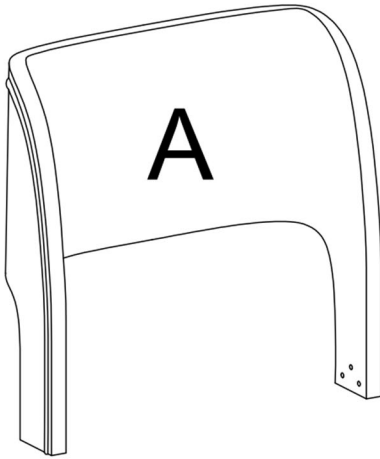
Structural aesthetic of bent legs: The leg bend isn't merely decorative; it creates visual tension and a sense of lightness while ensuring chair stability.


Solid wood frame, highlighted by the bent design of the rear legs and protective glides on each foot. The bent legs offer strong visual appeal and improve structural mechanics. The glides protect the wood from wear and add a refined detail.

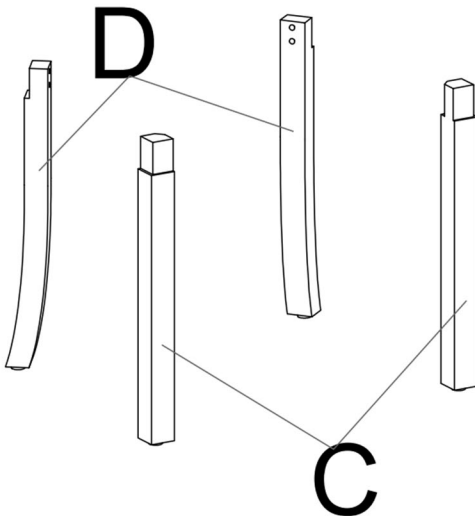
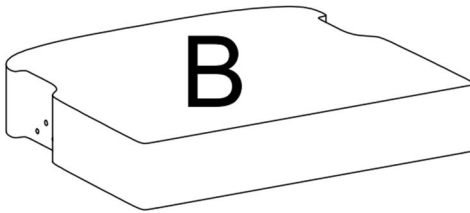
High-density foam filling. The seat and backrest are plumply cushioned, providing immediate soft support and proper resilience. Effectively alleviates pressure from prolonged sitting, ensuring comfort during meals or short breaks.



EXPLODED VIEW

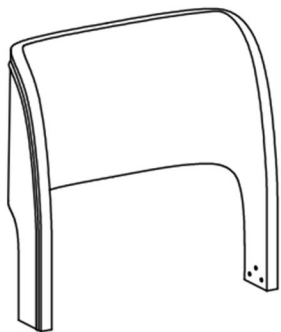



Every screw must be fully tightened.
If the chair makes unusual noise
during use, simply retighten the
screws with the supplied Allen key.



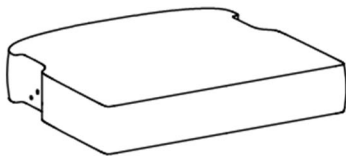
PARTS

A*1



Backrest

B*1



Seat frame

C*2



Front legs

D*2



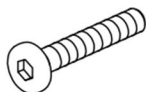
Rear legs

HARDWARE

TOOL LIST

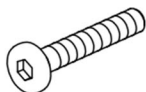
NOTE: Designated with (★) We provide additional spare parts in the hardware package

①*6



★ Bolt
M8*40mm

②*8



★ Bolt
M8*50mm

③*14



★ Flat washer

④*1

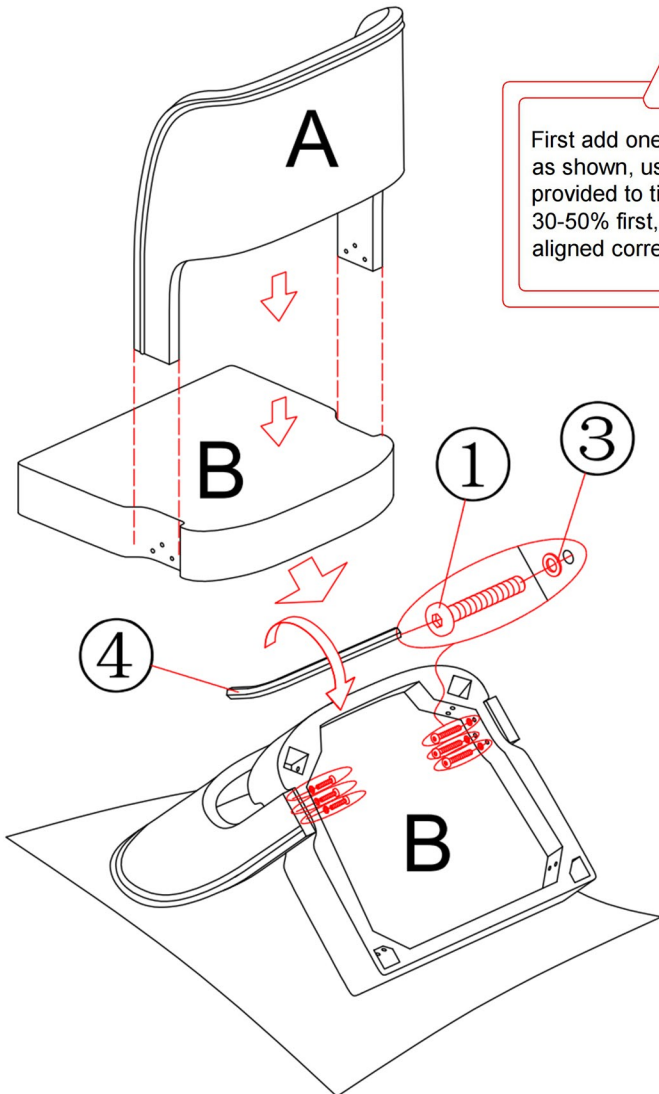


Allen key

Please make sure all hardware&packing material fitting the list.
Especially some small accessories may be missing during transportation. Please contact us if you have any question.

step 1 ---Install the backrest (A)

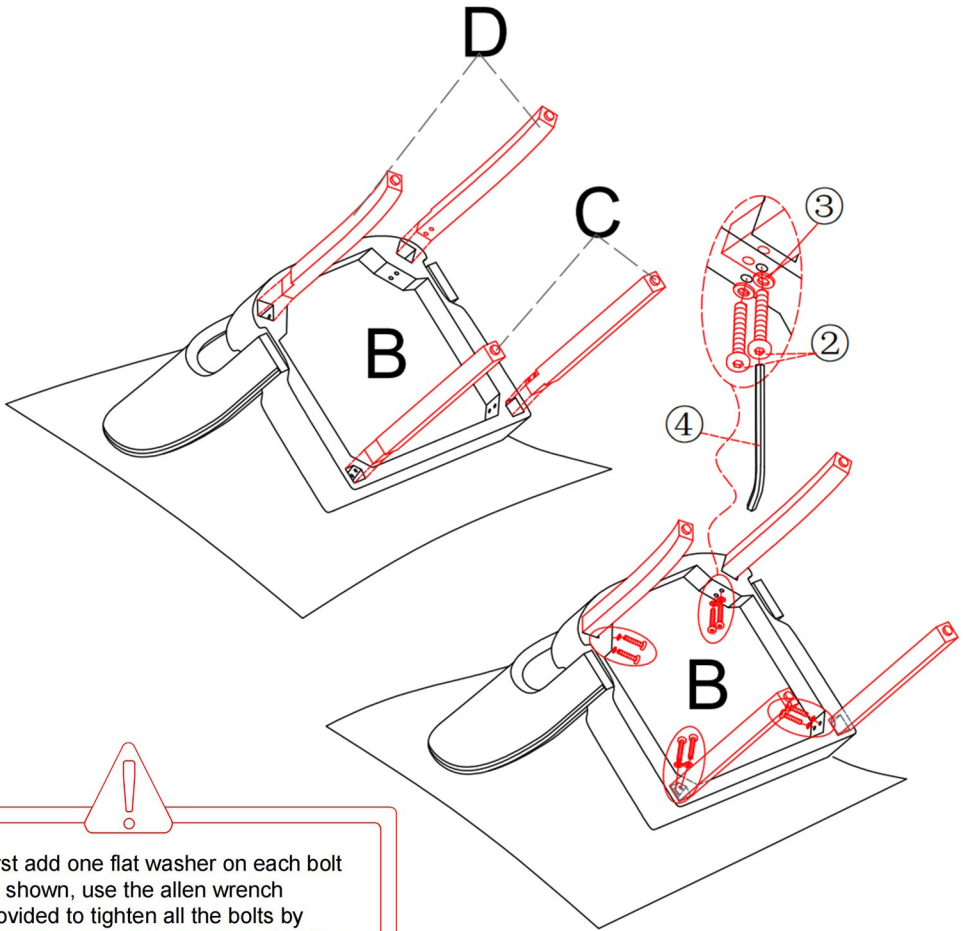
Install backrest (A) onto the bottom of the seat frame (B) , use the allen key (4) to tighten the bolts (1) and flat washer (3), make sure all the bolts are correctly aligned before fully tightened.



First add one flat washer on each bolt as shown, use the allen wrench provided to tighten all the bolts by 30-50% first, make sure that all bolts are aligned correctly before fully tightening.

step 2 ---Install the Legs (C&D)

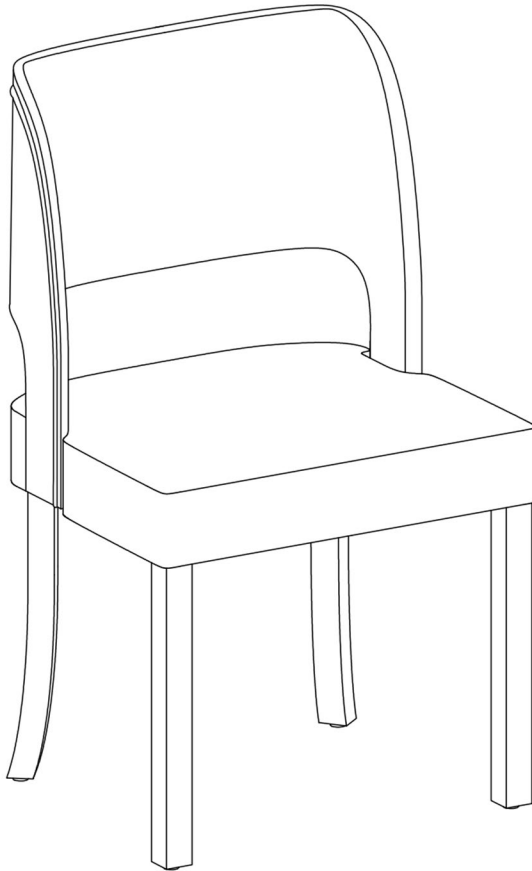
Install legs (C&D) onto the bottom of the seat frame (B) , use the allen key (4) to tighten the bolts (2) and flat washer (3), make sure all the bolts are correctly aligned before fully tightened.



First add one flat washer on each bolt as shown, use the allen wrench provided to tighten all the bolts by 30-50% first, make sure that all bolts are aligned correctly before fully tightening.

step 3 ---Assemble complete

Congratulations! You have finished the assembly, thank you again for choosing our product! Please enjoy!





ASSEMBLY INSTRUCTIONS

Tel.(562)-781-3327

Please contact us:info@firstopintl.com

<https://www.dreamsidea.com>