

SONIC ER3003-12V

STEP LIGHTS

PROJECT



ER3003-ES-12V Espresso
ER3003-BN-12V Brushed Nickel
ER3003-BK-12V Black
ER3003-GY-12V Gray
ER3003-WH-12V White

SPECIFICATION DETAILS

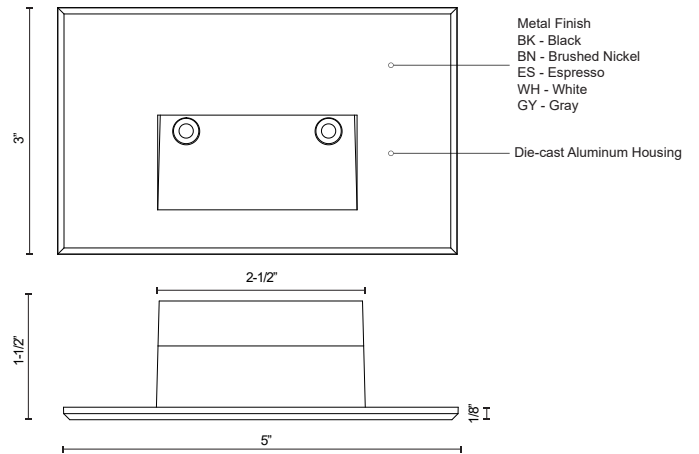
| | |
|-----------------------------|--|
| Fixture Dimensions | W5" x H3" x E1-1/2" |
| Light Source | Low Voltage LED |
| Wattage | 4W |
| Total Lumens | 250lm |
| Delivered Lumens | BK-30lm*; BN-52lm; ES-45lm; WH-85lm; |
| Voltage | 12V, with DC Remote Class 2 LED driver (Driver supplied by others) |
| Color Temperature | 3000K |
| CRI (Ra) | 90CRI |
| Optional Color Temps | 2700K - 5000K Available, Minimum Order Quantities Apply |
| LED Rated Life | 50,000 hours |
| Glass Details | Clear Glass |
| ADA Compliant | Yes |
| Location | Wet |
| Paint Finish | BK02; BN01; GY01; WH02; |

* For custom options, consult factory for details.

* For warranty information, please visit www.kuzcolighting.com/warranty

DESCRIPTION

12V Low Voltage addition to the popular Sonic family. The optically designed light control of Sonic's die cast Aluminum housing fully conceals the source. Ideal for step or courtesy light use. This fixture is rated for outdoor use but there is no reason it cannot be utilized indoors too. Only fits into a single gang box. Compatible with all outdoor 12V DC Drivers (supplied by others).



KUZCO

CANADA: 19054 28TH AVENUE - SURREY, BC V3Z 6M3
USA: 3035 E. LONE MOUNTAIN ROAD - LAS VEGAS, NV 89081

WWW.KUZCOLIGHTING.COM

© 2021 KUZCO LIGHTING. ALL RIGHTS RESERVED.

COMMENT