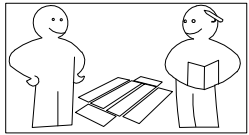
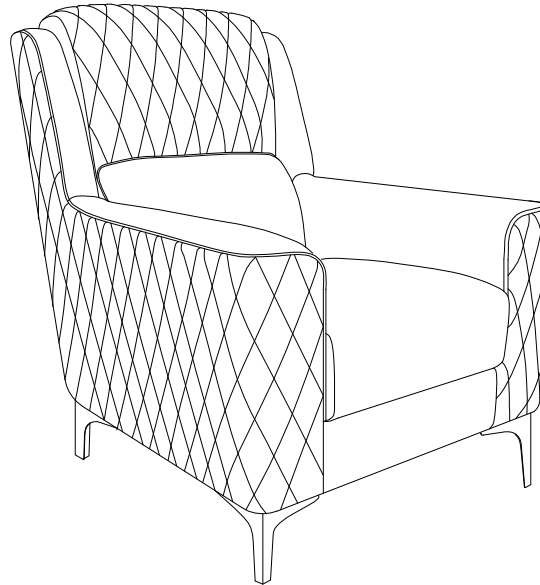


# RUBY CHAIR ASSEMBLY INSTRUCTION

## ASSEMBLY INSTRUCTION



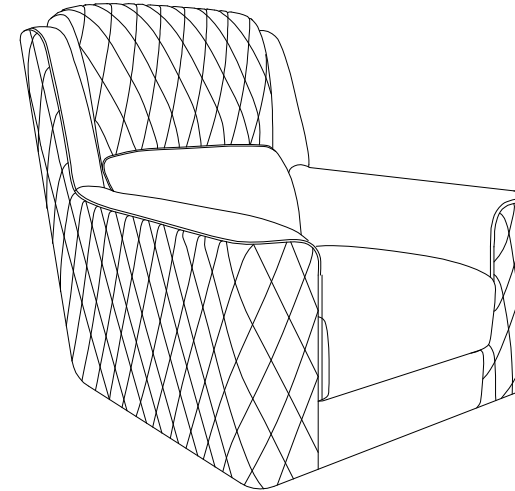
Attention:  
Two persons are required for assembly and lifting unit.



STEP1.

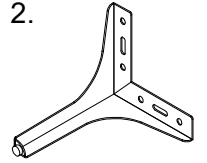
## ASSEMBLY PART

1.



CHAIR (1PCS)

2.



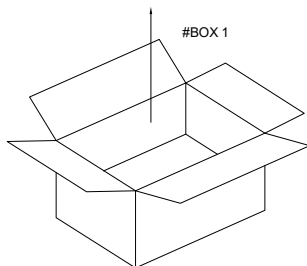
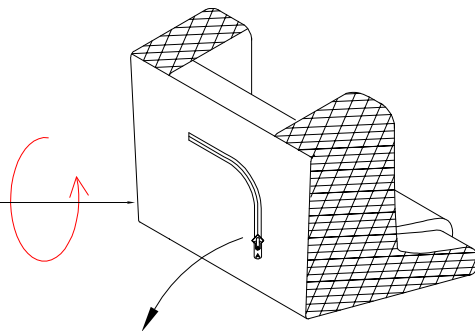
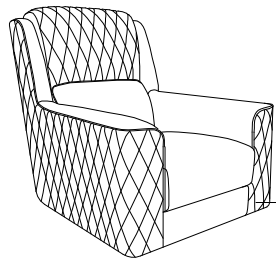
Legs (4PCS)

3.

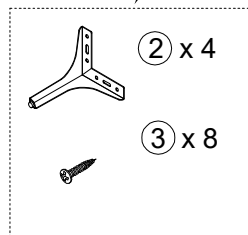


Bolt(16PCS)

For this step take out all the parts



#BOX 1



STEP2.

Assemble stainless steel legs (4pcs) to the chair

