

ASSEMBLY INSTRUCTION

Hardware



A
x4



M6X40mm
B
x10



M6X20mm
C
x8

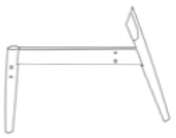


D

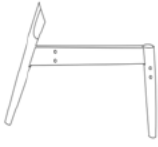
Tools Required

Power tools NOT recommended

Components



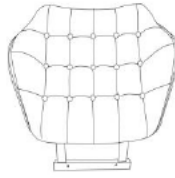
H
x1



I
x1



J
x1



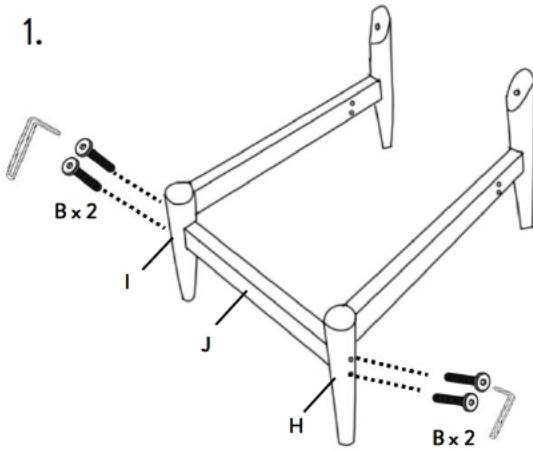
K
x1



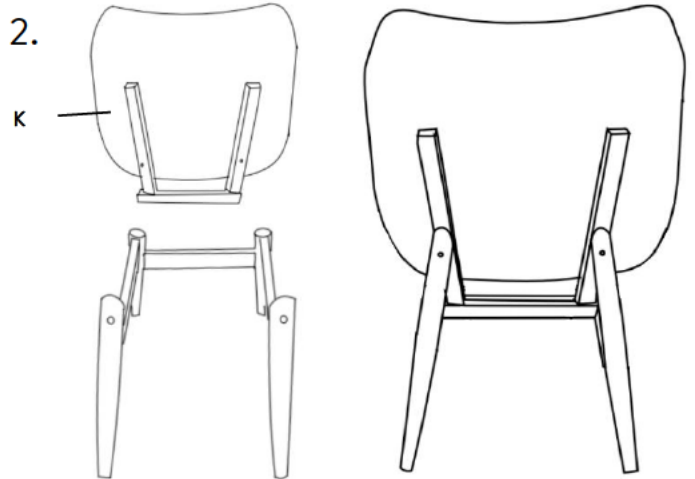
L
x1

Assembly Instructions

1.



2.



ASSEMBLY INSTRUCTION

Assembly Instructions / Instructions d'assemblage

