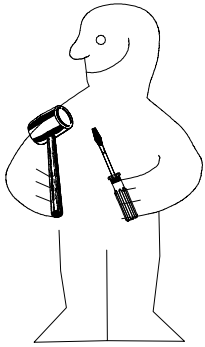
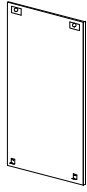


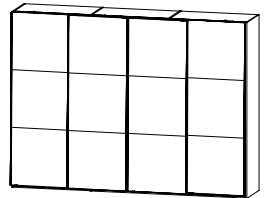
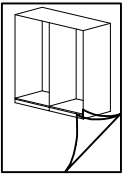
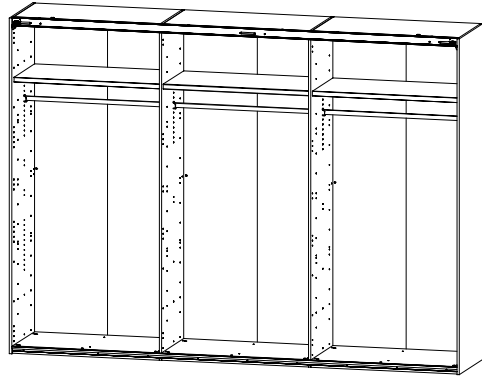
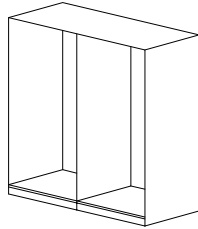
980728



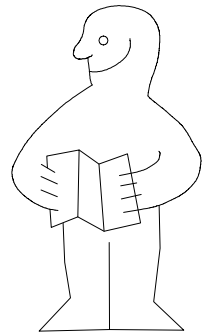
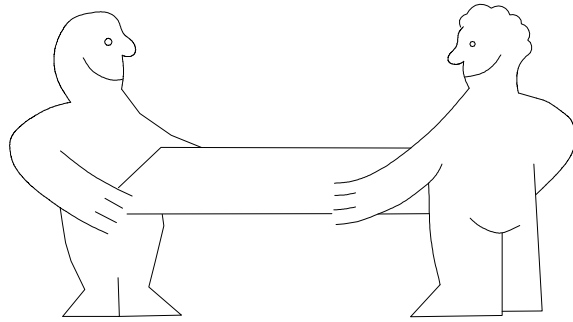
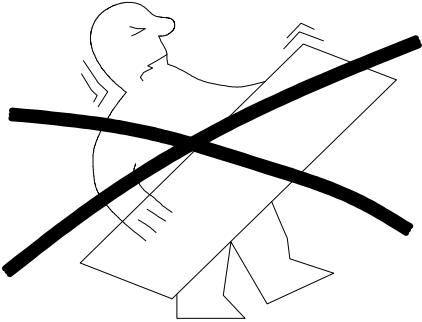
1.



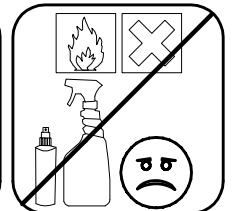
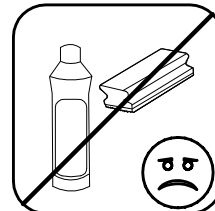
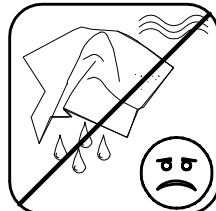
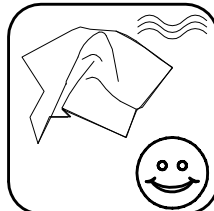
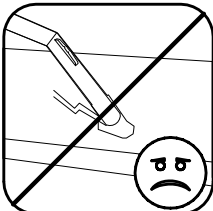
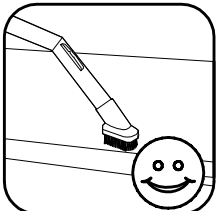
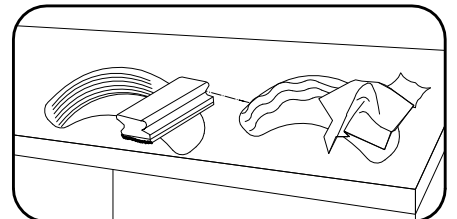
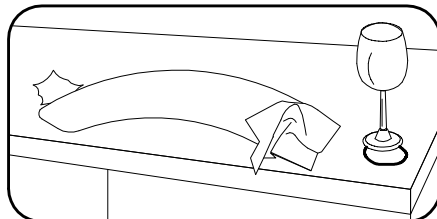
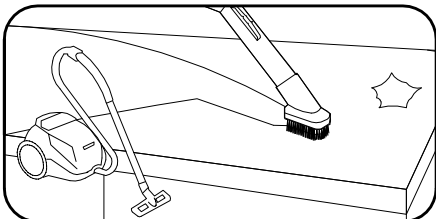
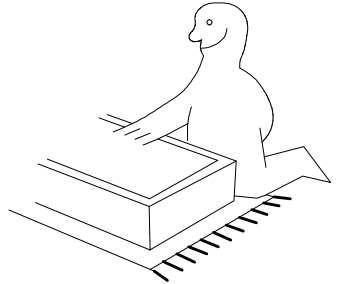
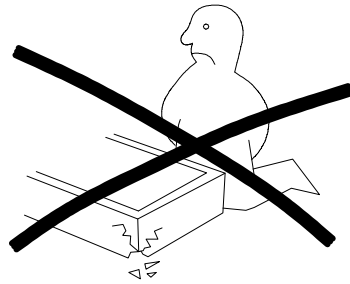
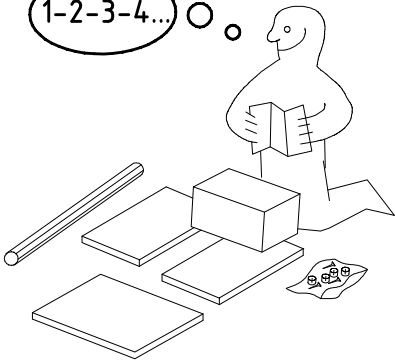
2.



HSP 300 4trg NG



1-2-3-4... ○


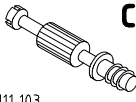



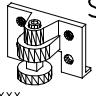


980728


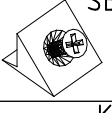

20.12.16 / -

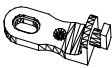
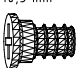

12 16

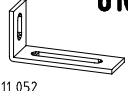

1/11

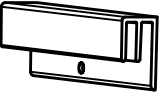
 111 xxx	A1 24x
 111 103	C 8x
	F3 8x

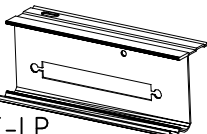
 111 xxx	S0 15x
 111 xxx ø12	V12 15x
 121 370 3,5 x 15 mm	G1 42x

 117 002	K2 6x
	SBV 24x
 100cm 121 400	K10 3x

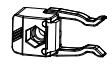

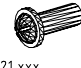


 111 611	J2 9x
 112 055 6,3 x 10,5 mm	T1 36x
 111 607	L8 12x

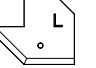
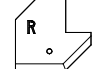
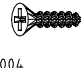
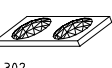
 111 052	o10 1x
 121 120 4 x 15mm	SP15 4x

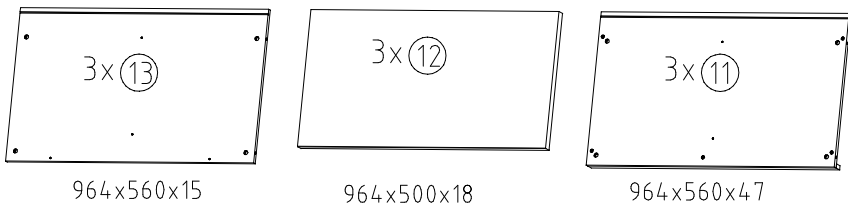
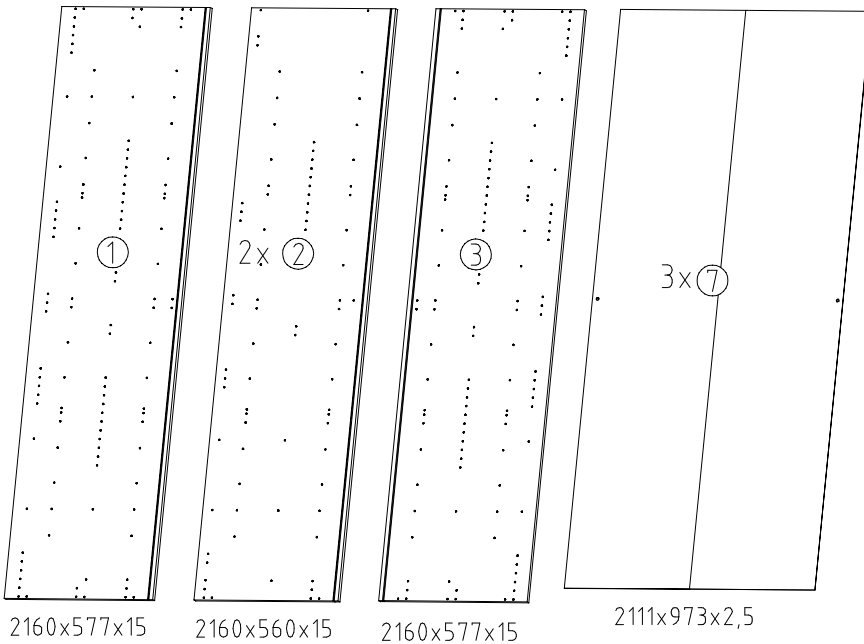
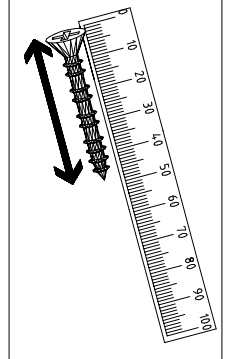
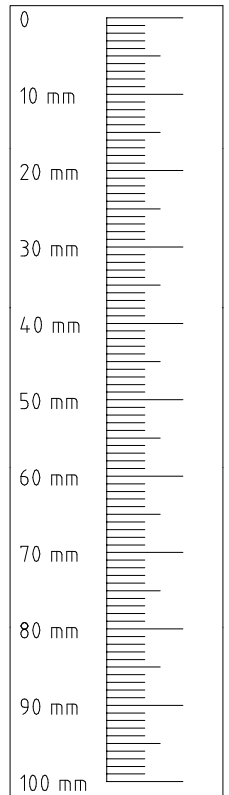
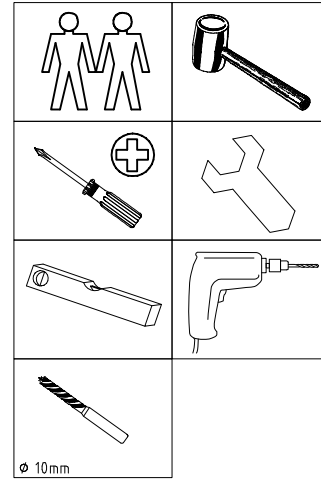
1x 
FPK
1453/1940/2430/2920/3408

1x 
SWT-LP
1453/1940/2430/2920SY
/3410 SY



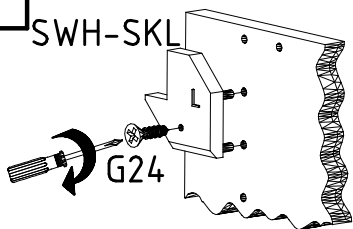
 121 xxx	SWT-ST 2x
 121 xxx M4 x 13 mm	SWT-SM5 2x
 121 xxx M4 x 10 mm	GH13 6x
 121 xxx 3,5 x 35 mm	G43 6x
 121 375	G14 2x

 121 004	SWH-SKL 1x
 121 004 3,5 x 22 mm	SWH-SKR 1x
 121 004	G24 10x
 352 302	KP8 4x

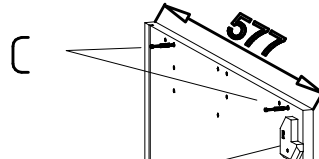
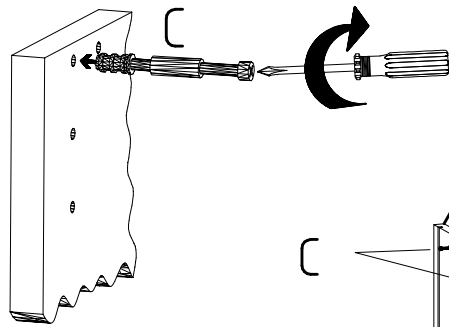
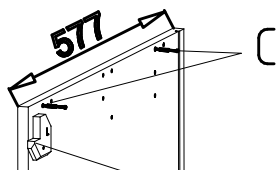
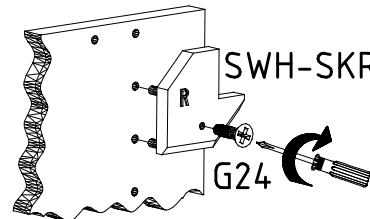


4

SWH-SKL

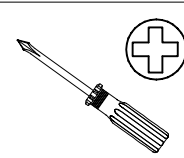


SWH-SKR

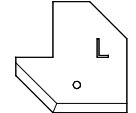


SWH-SKL + G24

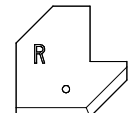
SWH-SKR + G24



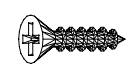
SWH-SKL



SWH-SKR

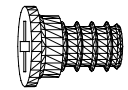


3,5 x 22 mm G24



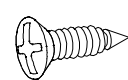
121 004

6,3 x 10,5 mm T1

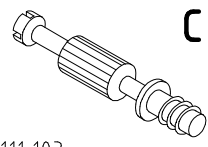


112 055

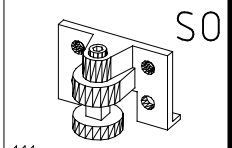
3,5 x 15 mm G1



121 370



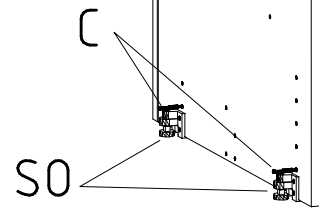
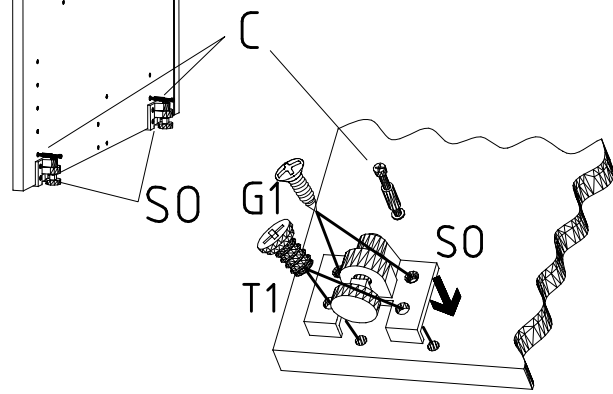
111 103



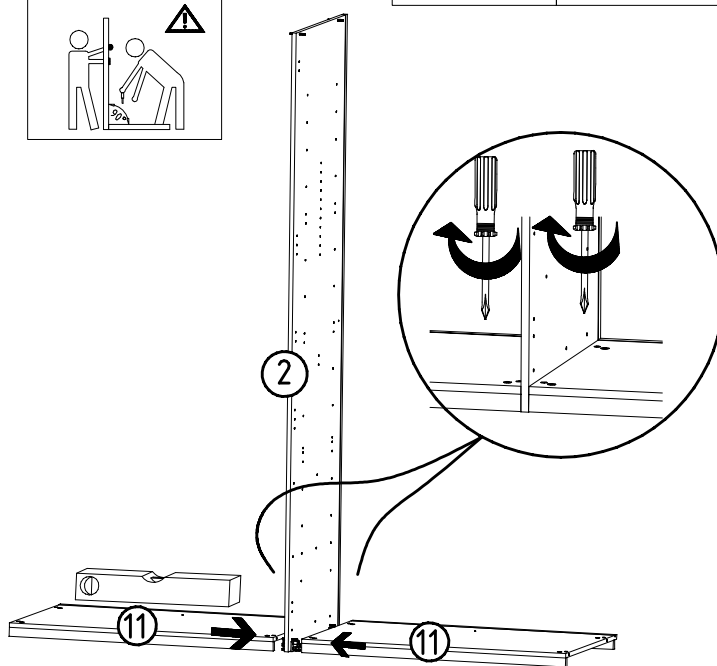
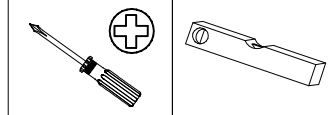
111 xxx

1

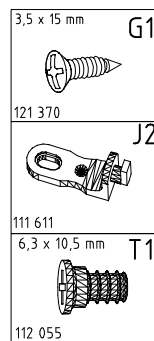
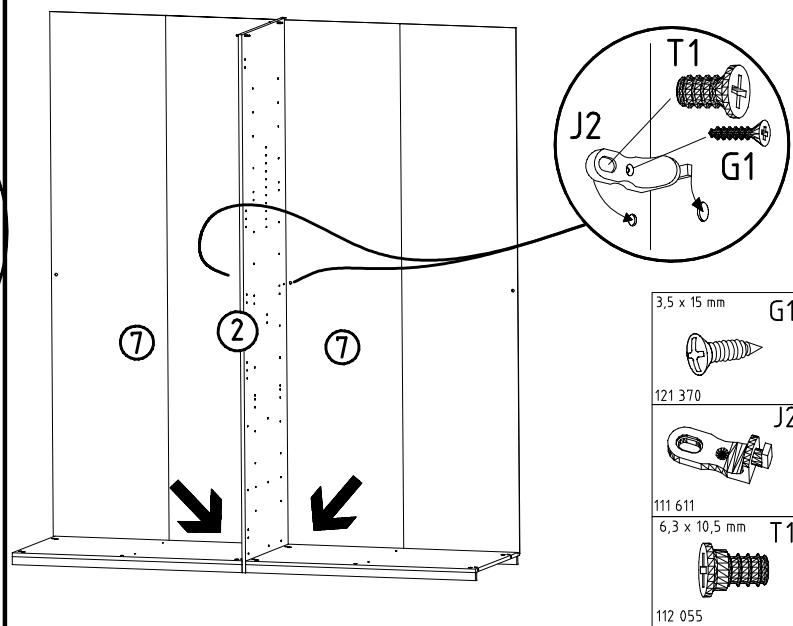
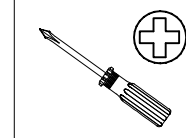
3



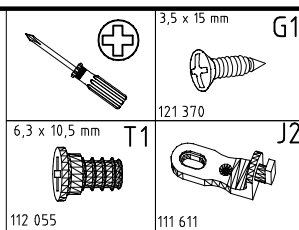
5



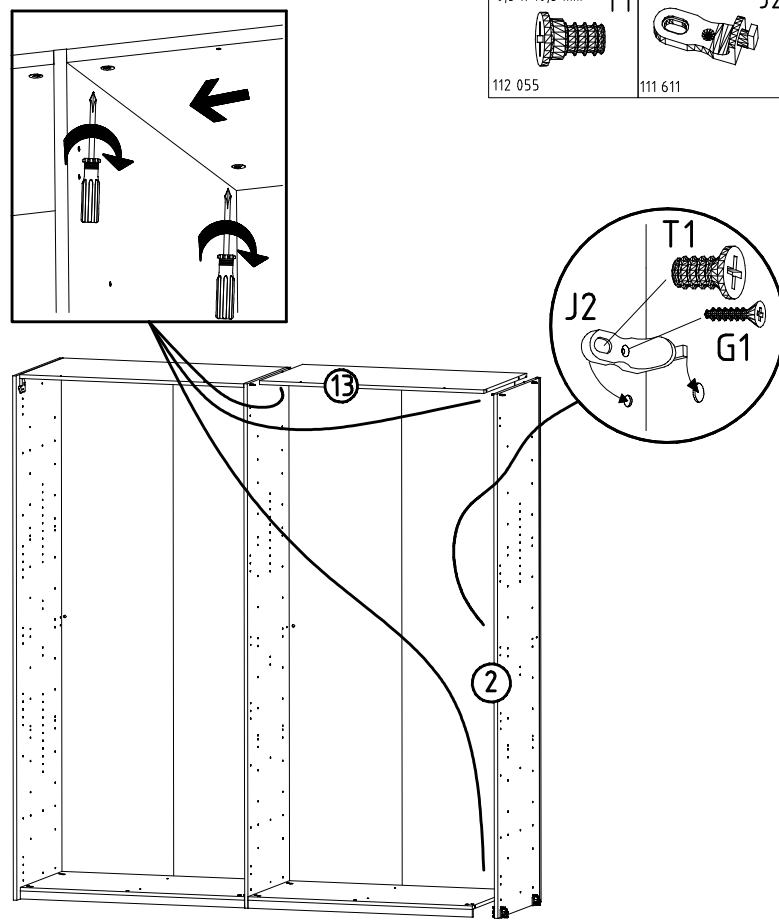
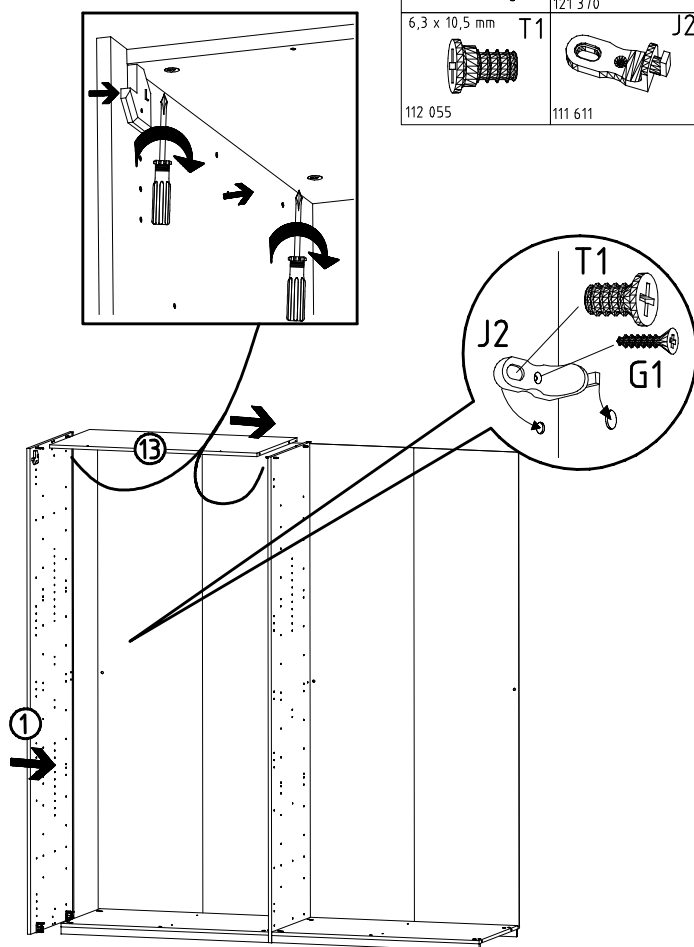
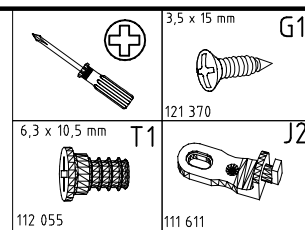
6



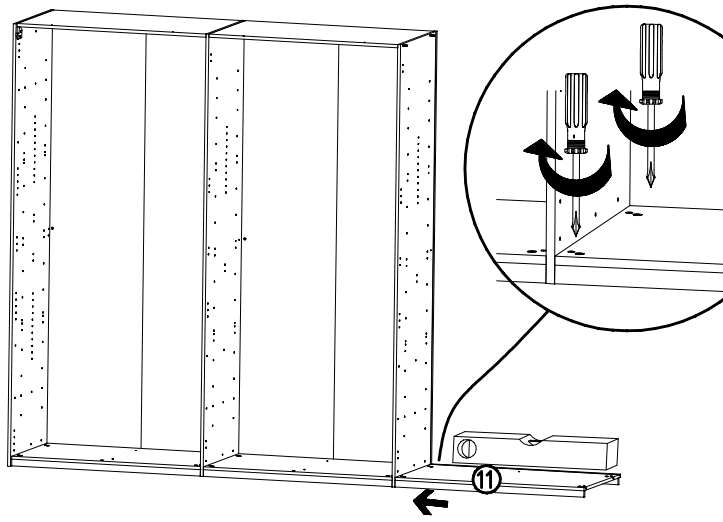
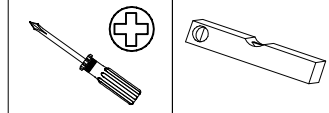
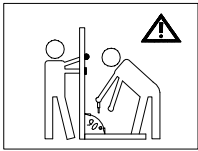
7



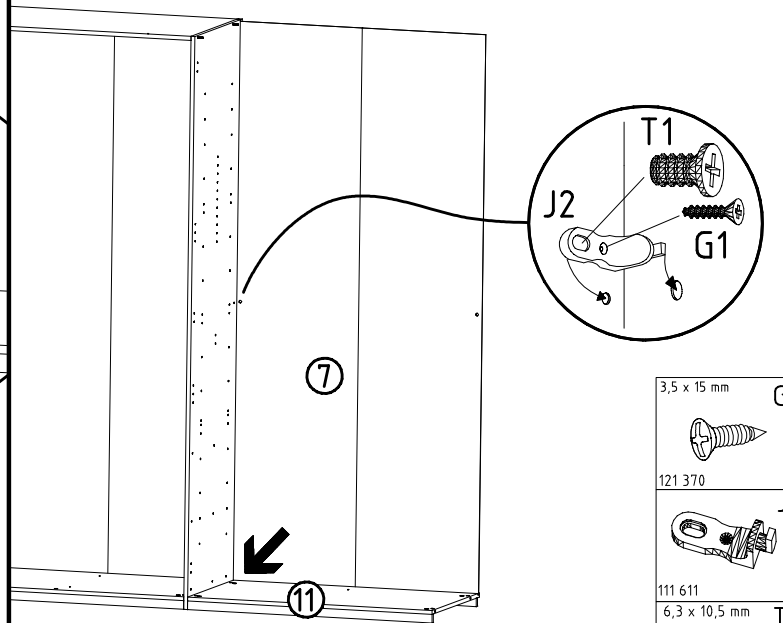
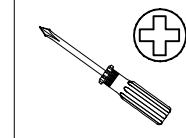
8

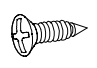
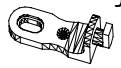
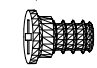


9

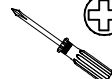
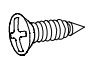
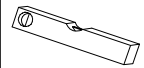
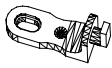
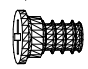


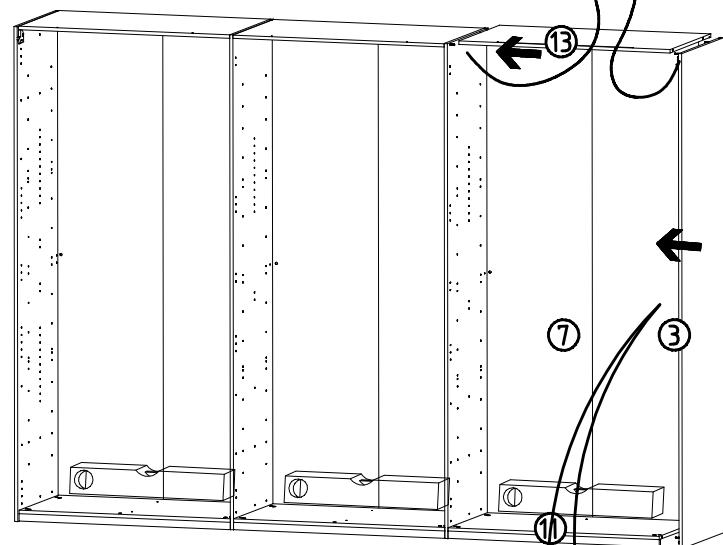
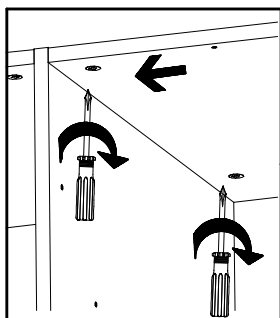
10



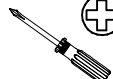

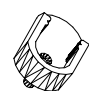
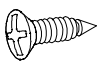

- 3,5 x 15 mm G1
- 
- 121 370 J2
- 
- 111 611
- 6,3 x 10,5 mm T1
- 
- 112 055

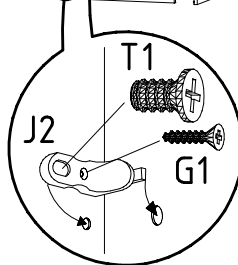
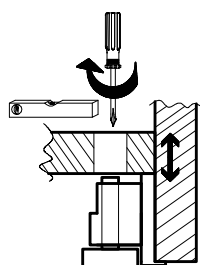
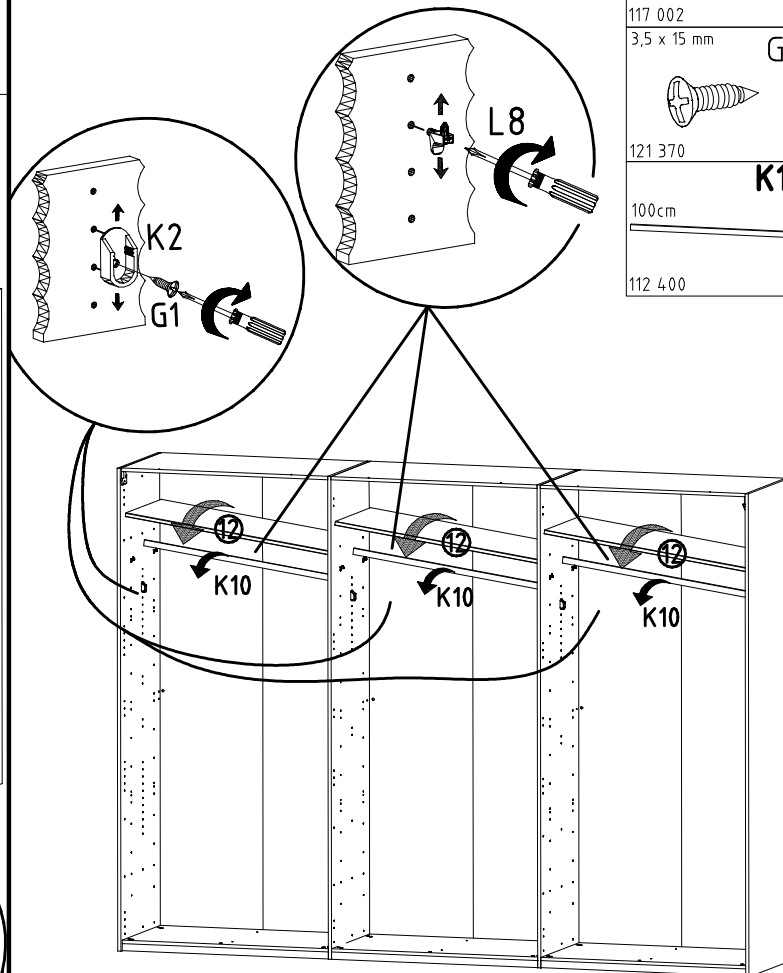
11

- 
- 3,5 x 15 mm G1
- 
- 121 370 J2
- 
- 
- 111 611
- 6,3 x 10,5 mm T1
- 
- 112 055



12

- 
- L8
- 
- 111 607
- K2
- 
- 117 002
- 3,5 x 15 mm G1
- 
- 121 370 K10
- 
- 100cm
- 112 400



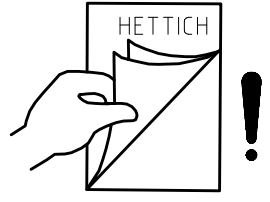
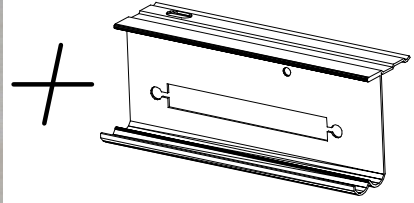
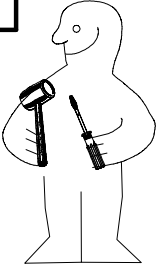
980728

20.12.16 / -

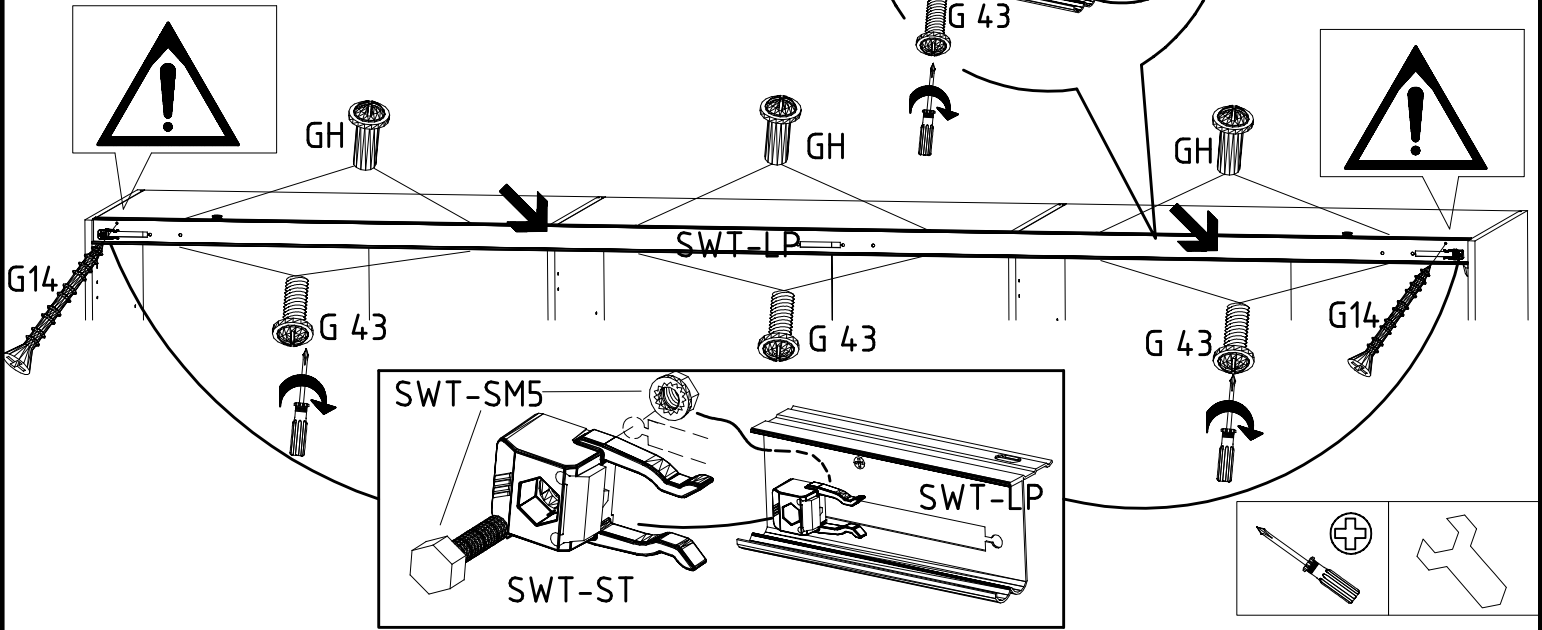
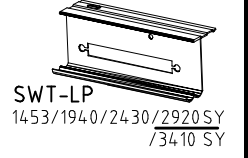
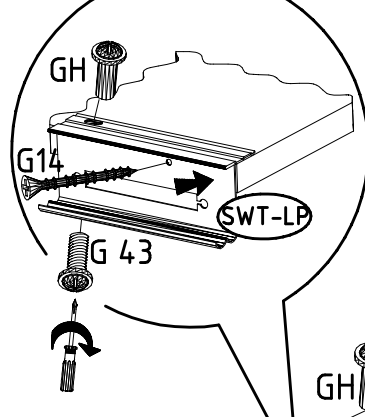
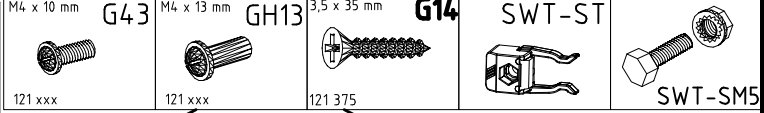
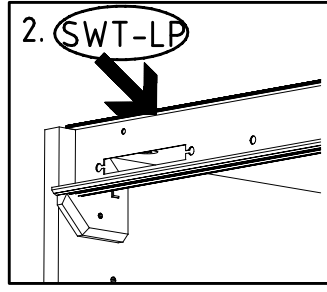
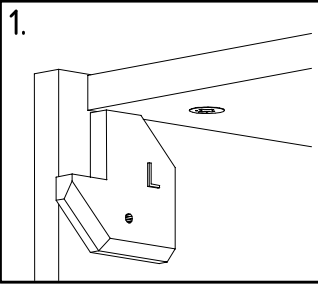
12 16

6/11

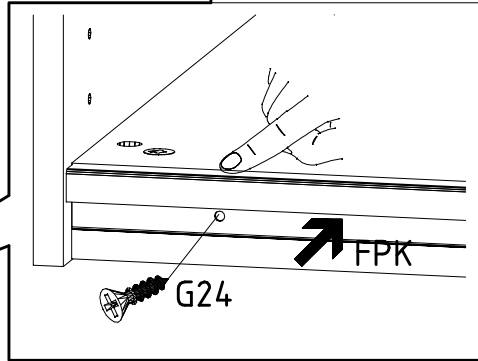
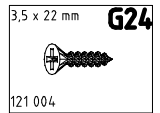
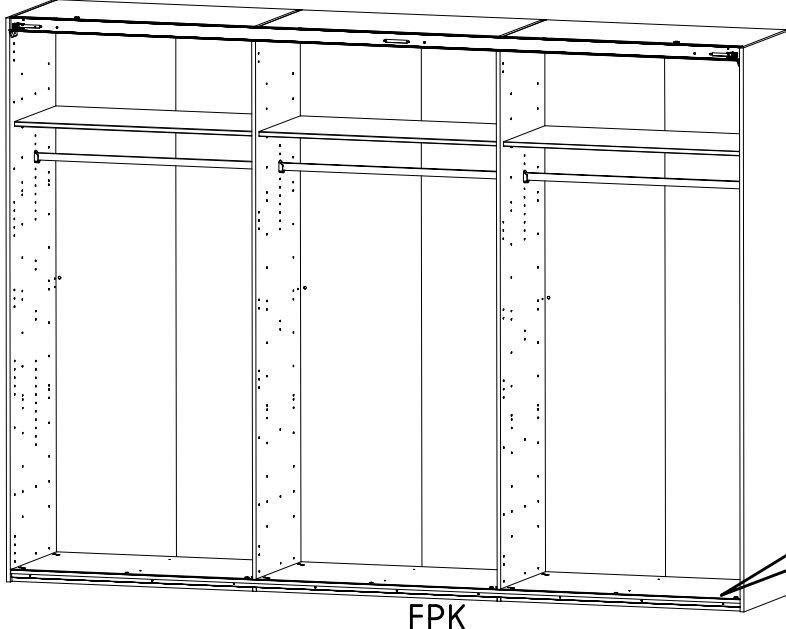
13



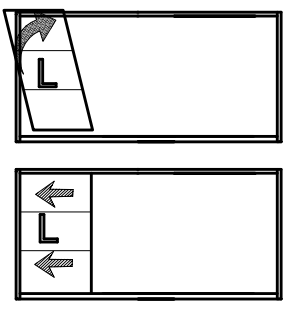
14



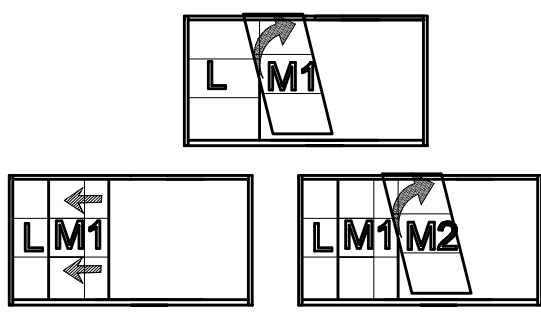
15



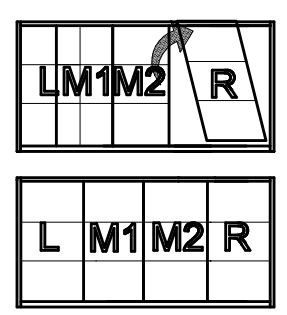
16



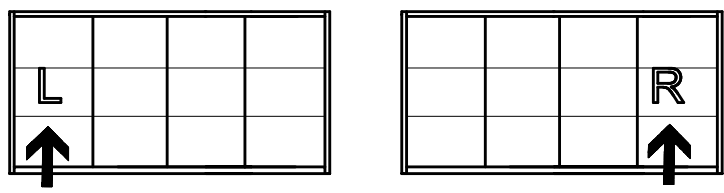
17



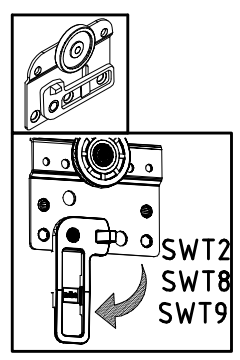
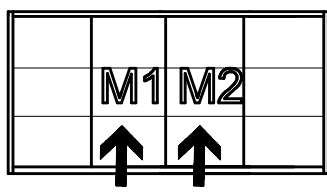
18



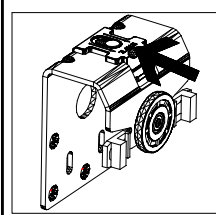
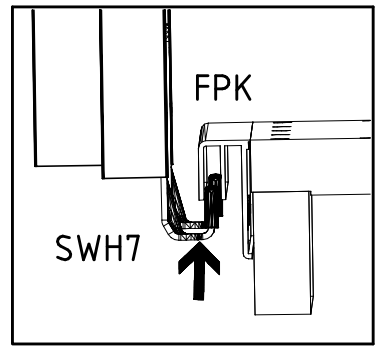
16 + 18



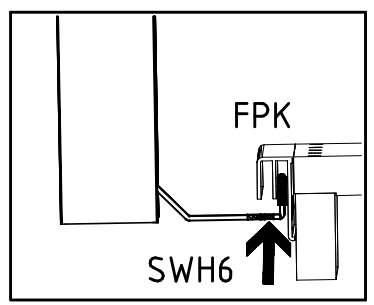
17



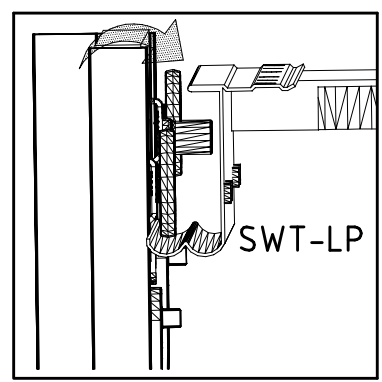
I.



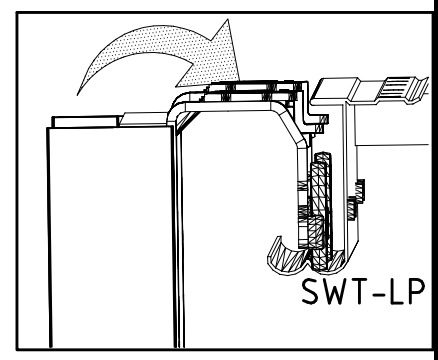
I.



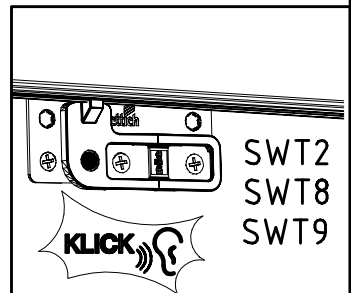
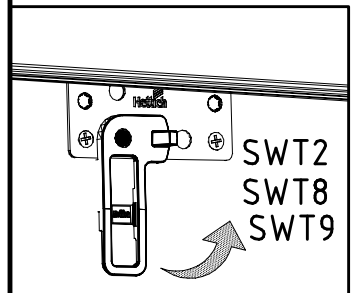
II.



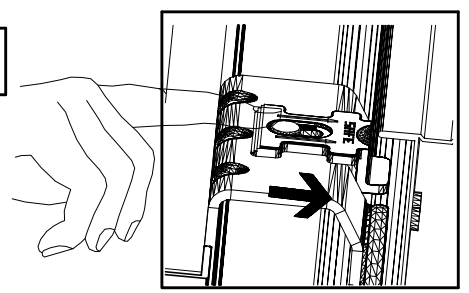
II.



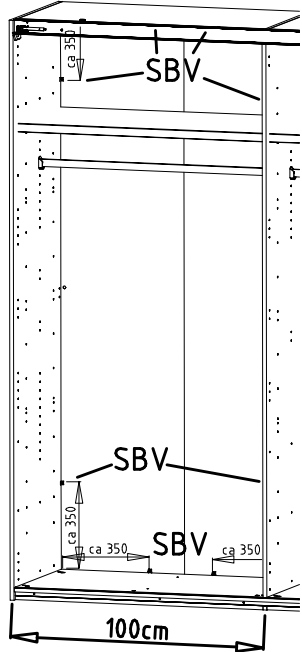
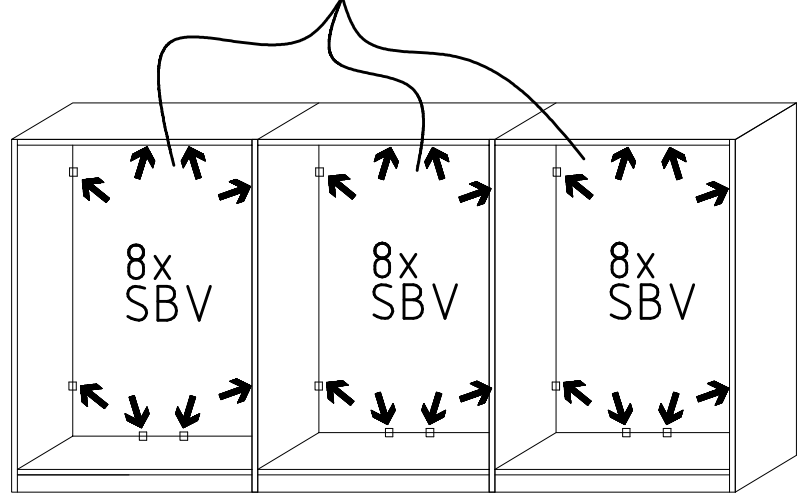
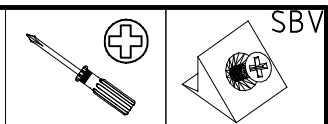
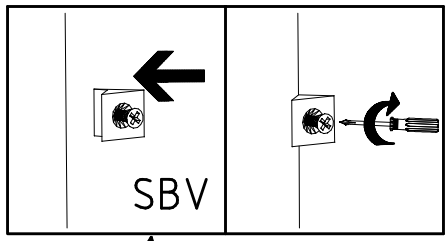
III.



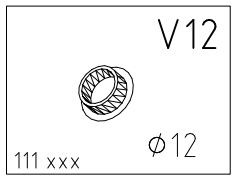
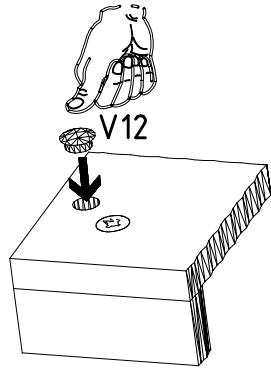
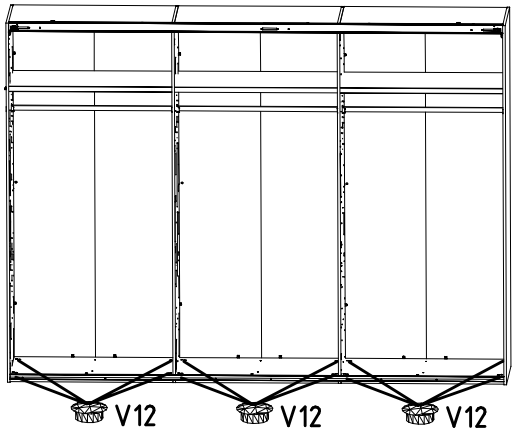
III.



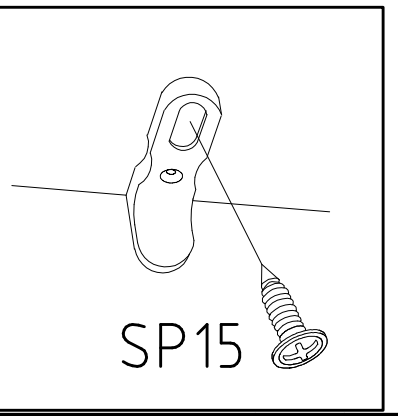
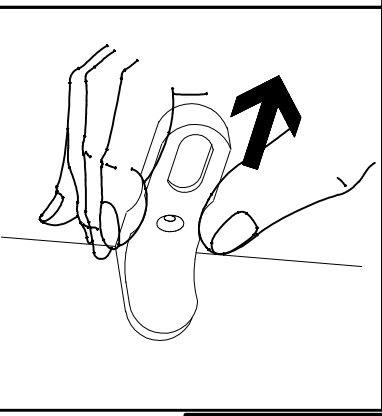
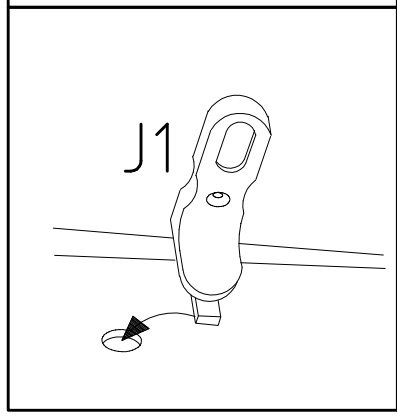
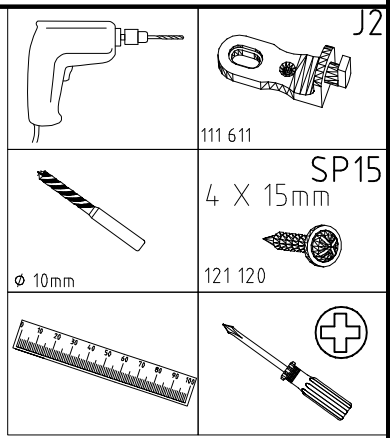
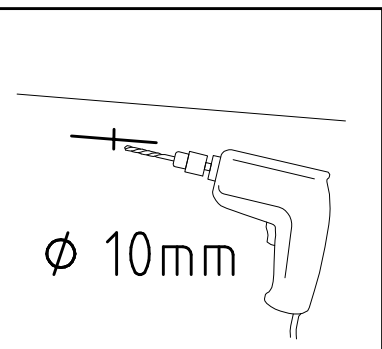
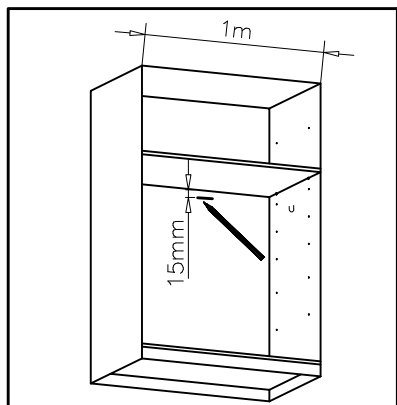
19



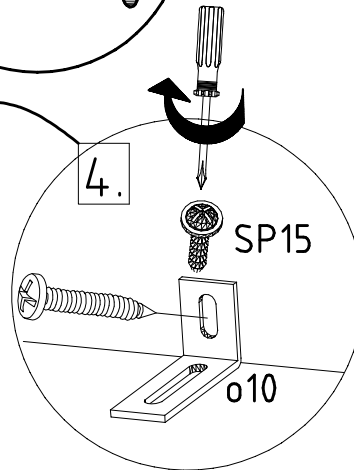
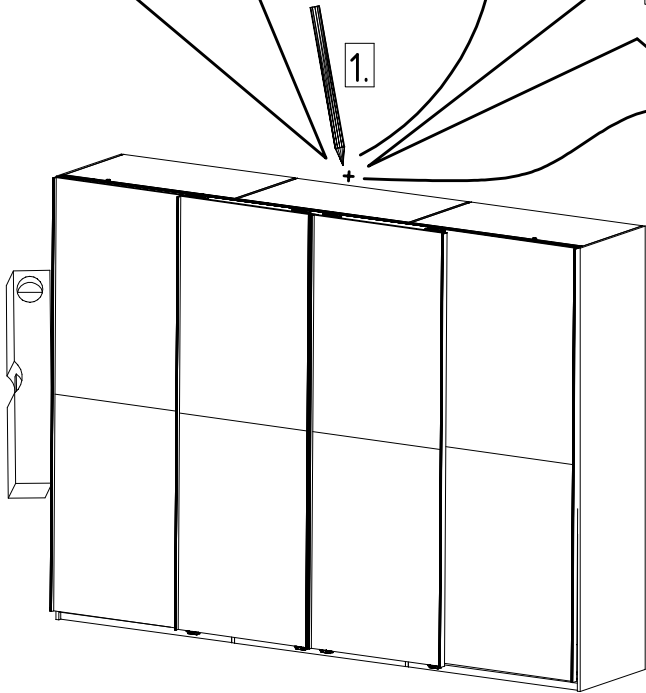
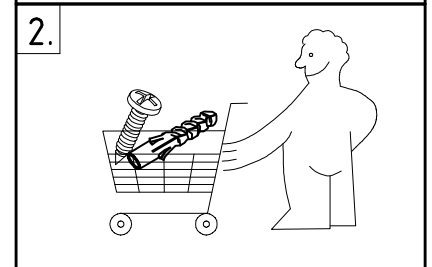
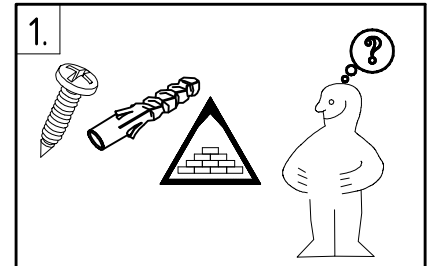
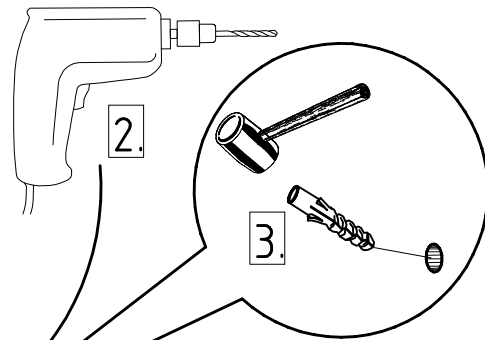
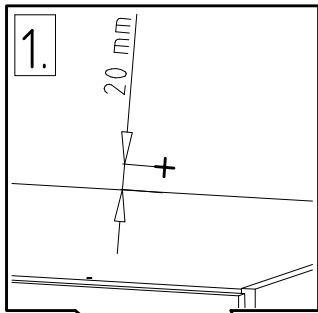
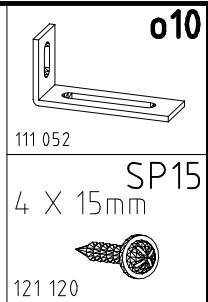
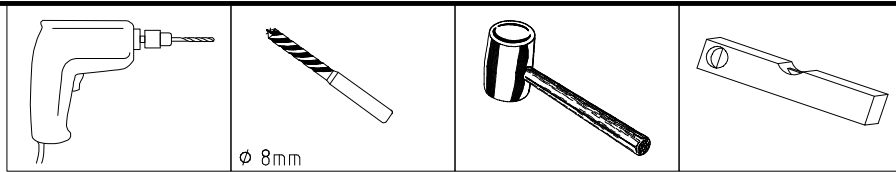
20



21



22



23

