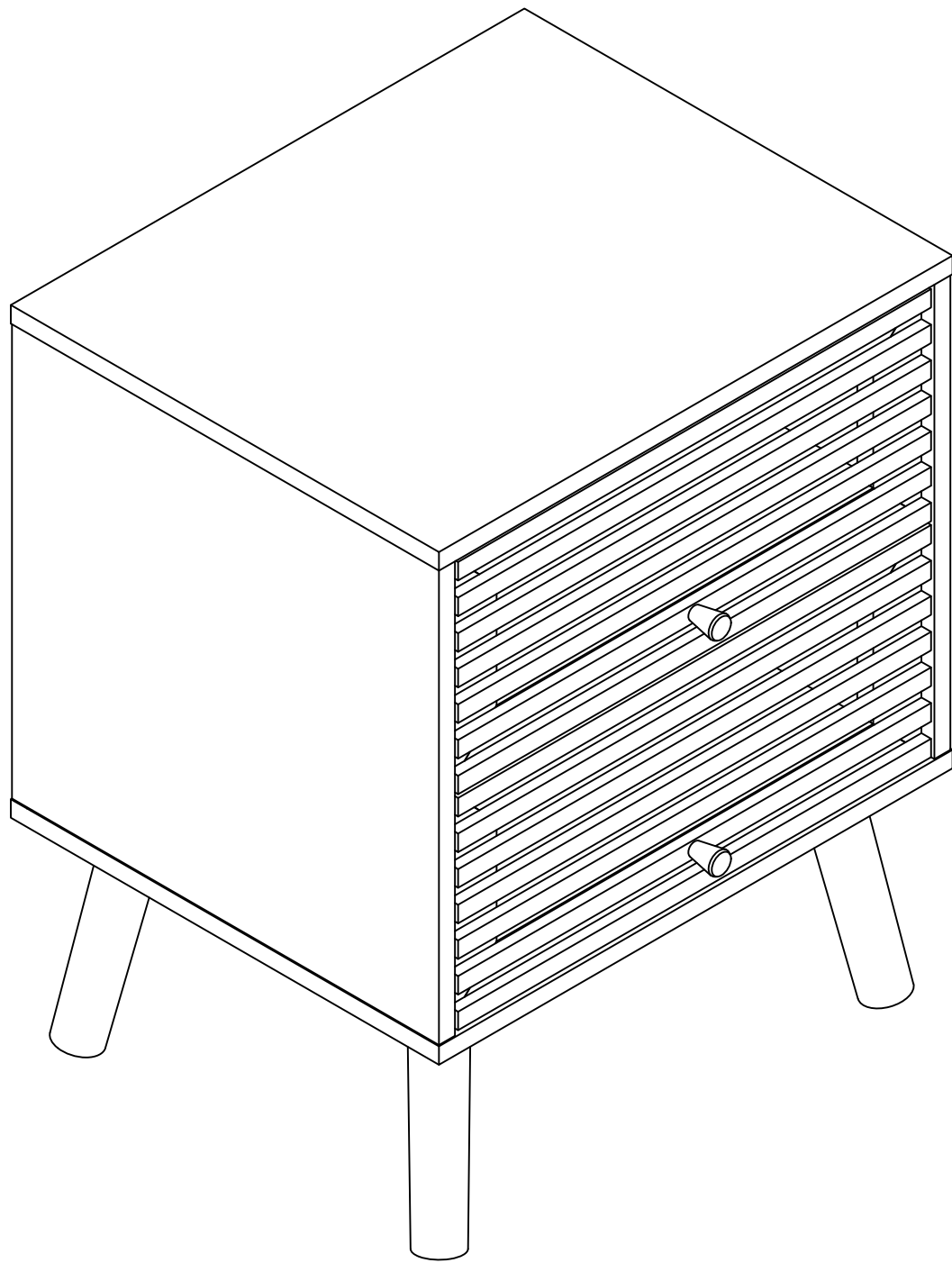


Storage Cabinet



Made in China

For a Hassle-Free Installation

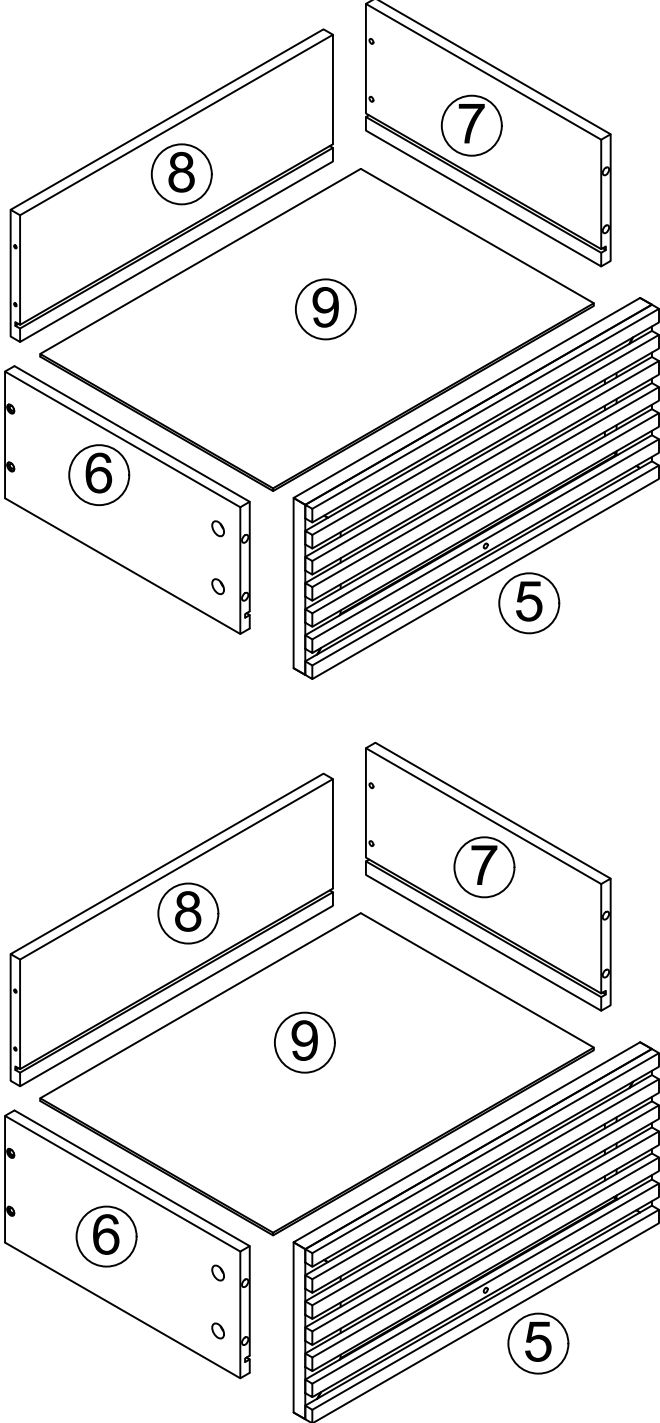
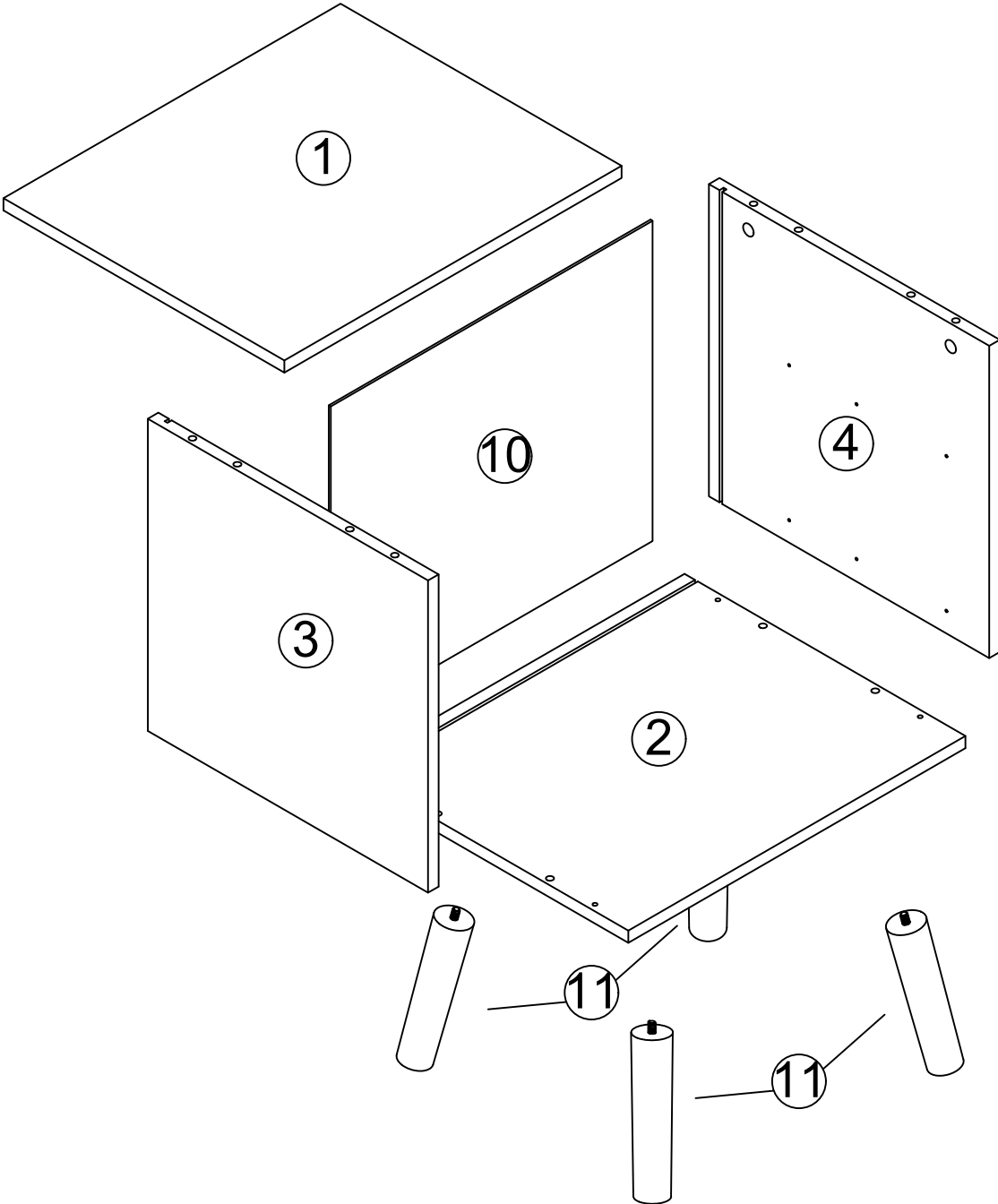
- 1.Ensure you have received all cartons and familiarize yourself with the workload. Make sure there are enough helping hands to assist you, and that you have allocated the time required to assemble your new product.
 2. Make sure you have cleared enough space in your home for the assembly. We recommend protecting your floor with a mat or cardboard to avoid scratches during the assembly process.
 3. Read instructions carefully and check no parts are missing.
 4. Lay out all hardware on a soft surface so you can easily identify them.
 5. Carefully identify all components according to the labeled alphabet to ensure that the parts are in the correct place.
 6. Install your new product carefully following the instructions. Don't skip ahead!
- * If any parts are missing or damaged, we will gladly ship you replacement parts free of charge. Please contact us order ID and the Store Name of your purchase, we're always here to help :)

WARNING

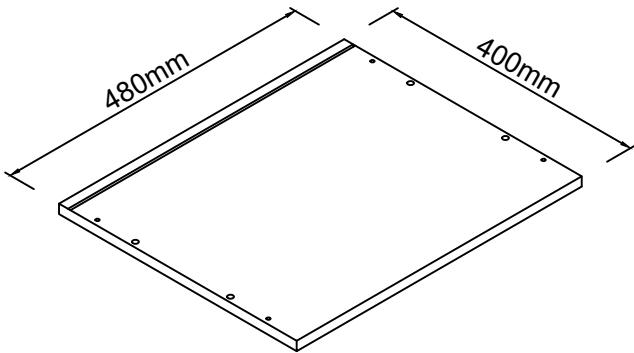
Serious or fatal injury may occur from unexpected assembly or use.

- 1.During the assembly process, keep all parts away from babies or children.
- 2.Always securely fix this product to the wall. Make sure the wall area to be drilled is free from hidden electrical wires, water and gas pipes.
- 3.Use of tip-over restraints may only reduce, but not eliminate the risk of tip-over.
- 4.Unless specially designed to accommodate, do not set heavy objects on top of this product.
- 5.Place the heaviest items on the lowest shelf.
- 6.Never allow children to climb or bang on drawers, doors or shelves.

Parts List

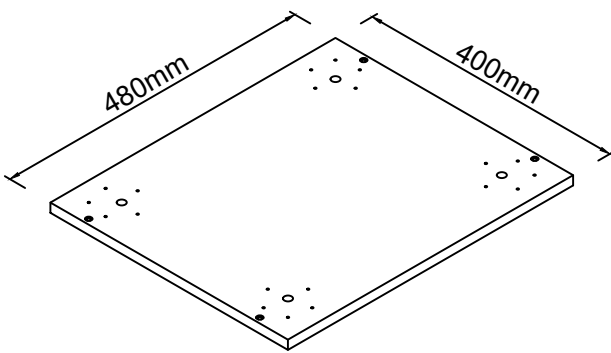


Parts List



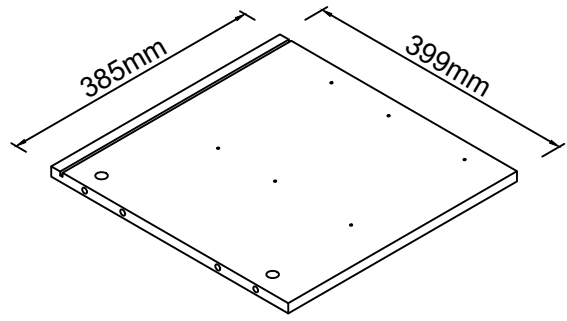
①

Qty:1



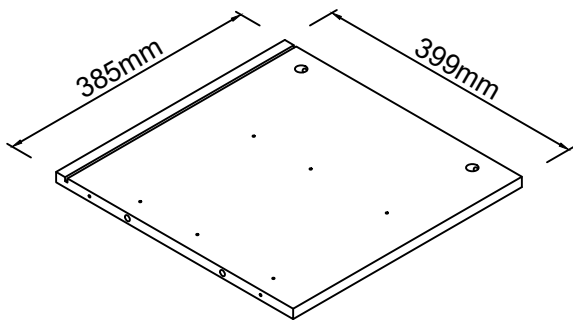
②

Qty:1



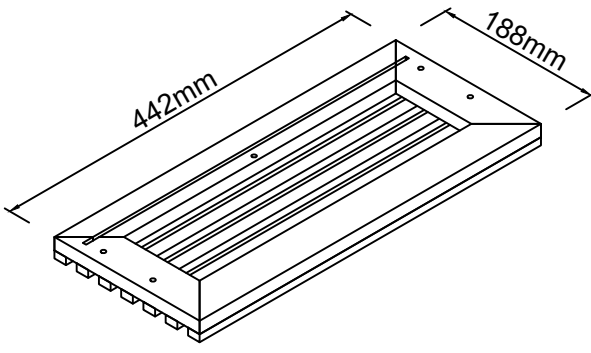
③

Qty:1



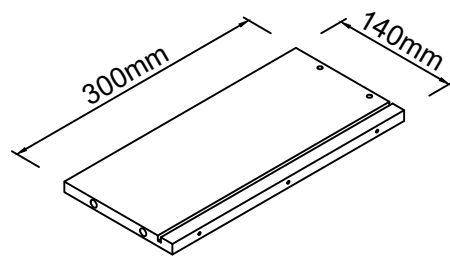
④

Qty:1



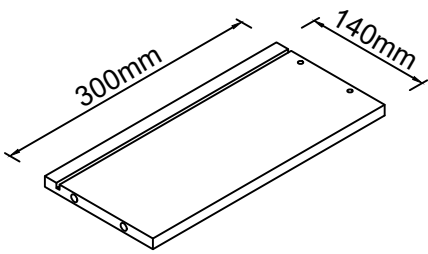
⑤

Qty:2



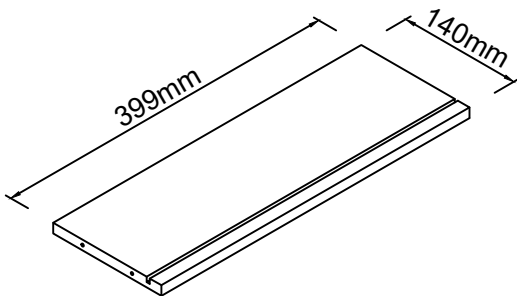
⑥

Qty:2



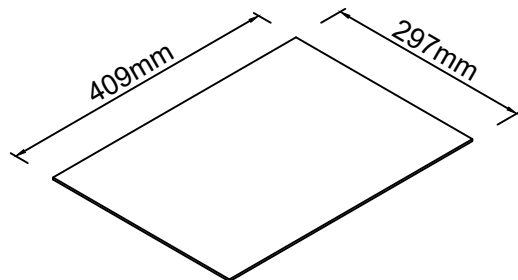
⑦

Qty:2



⑧

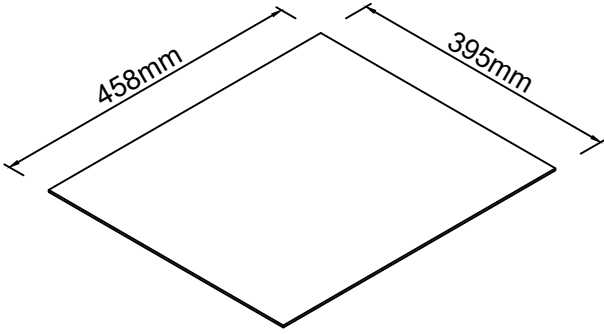
Qty:2



⑨

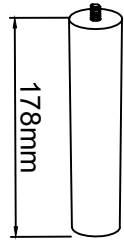
Qty:2

Parts List



10

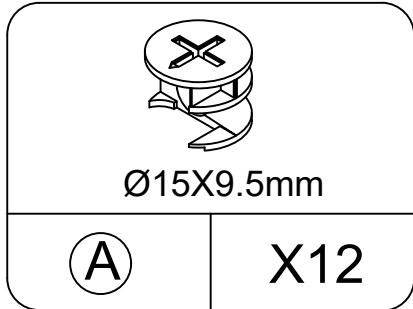
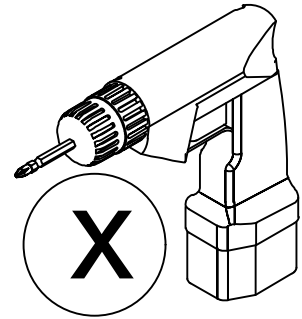
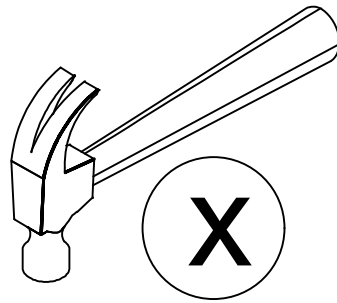
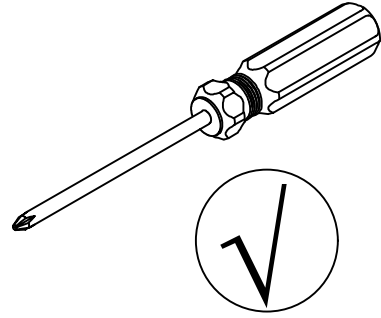
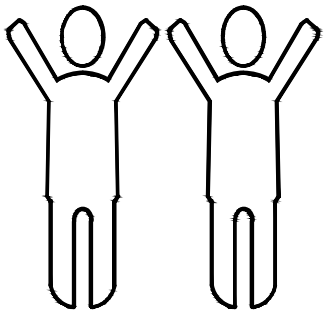
Qty:1



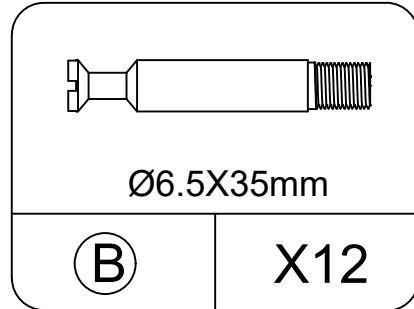
11

Qty:4

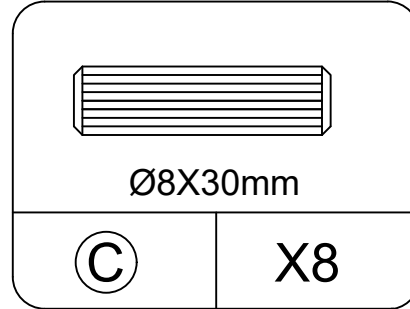
Hardware List



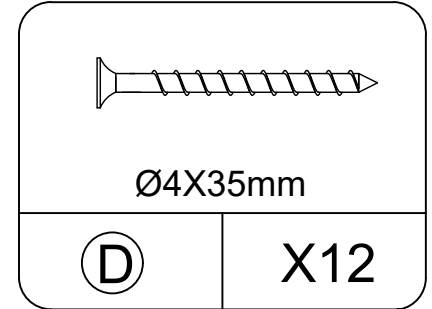
CAM LOCK
spare:1



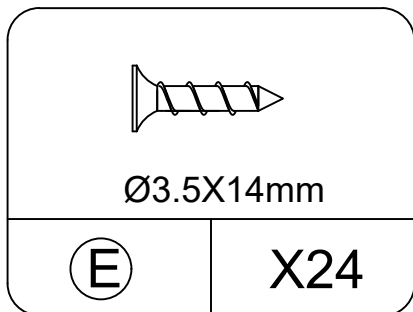
CAM BOLT
spare:1



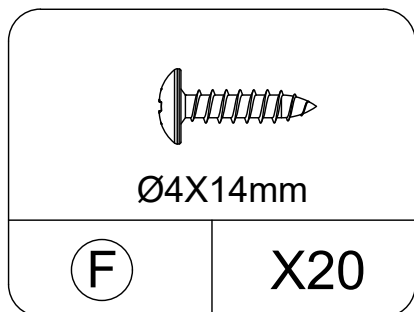
WOOD DOWEL
spare:1



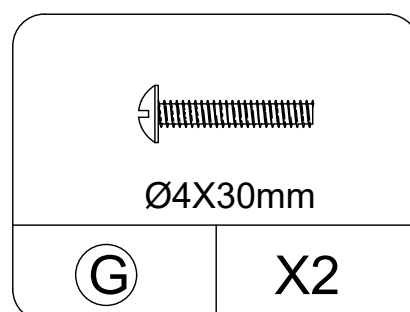
SCREW
spare:1



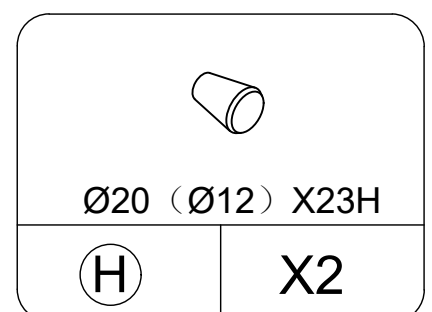
SCREW
spare:2



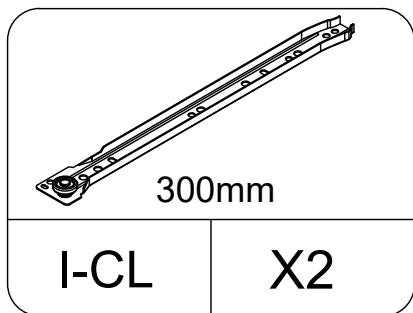
SCREW
spare:2



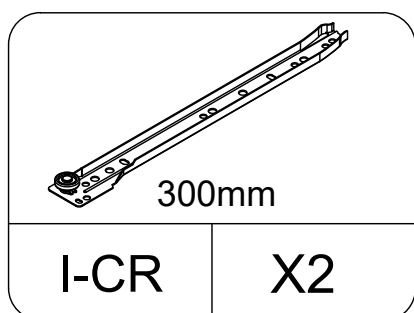
SCREW
spare:1



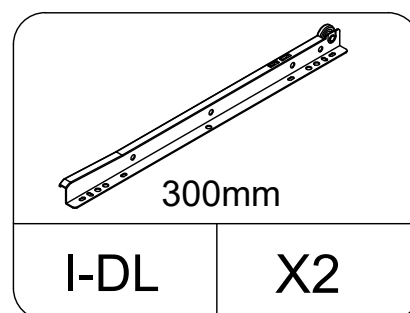
HANDLE



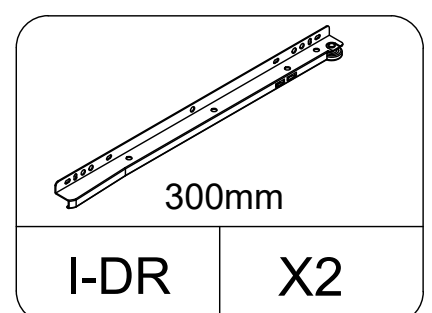
LEFT CABINET MEMBER



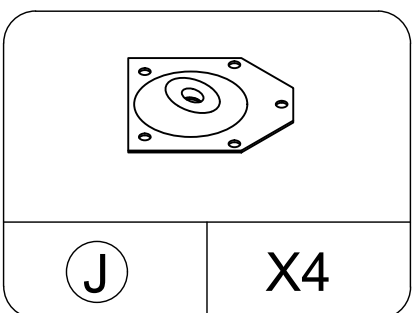
RIGHT CABINET MEMBER



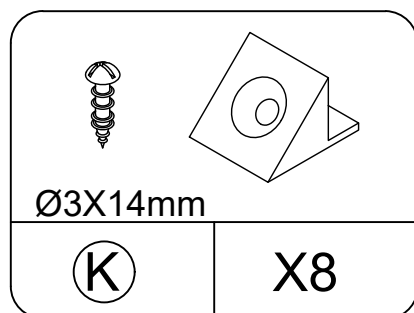
LEFT DRAWER RUNNER



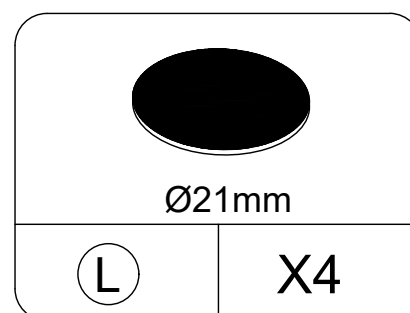
RIGHT DRAWER RUNNER



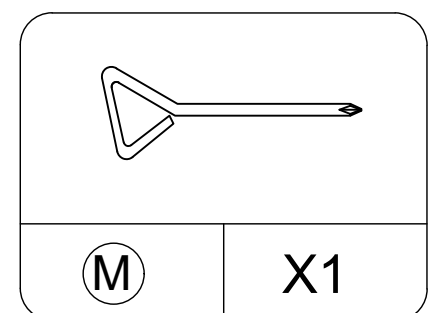
IRON SHEETS



BACK PLATE BUCKLE
spare:1



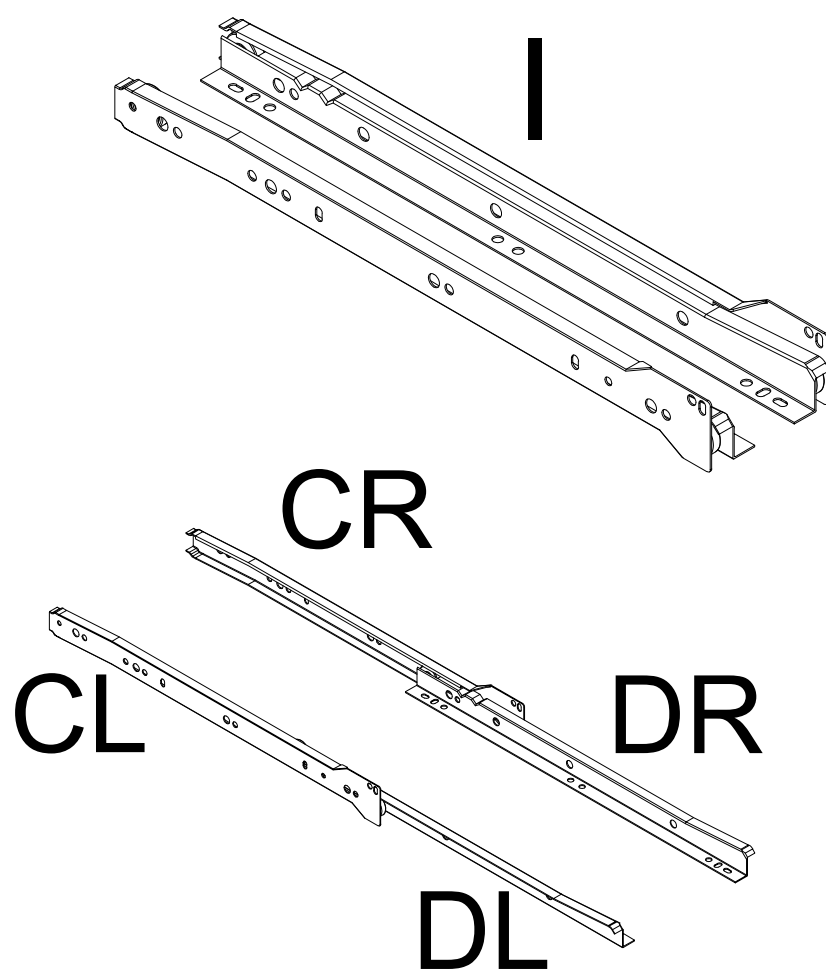
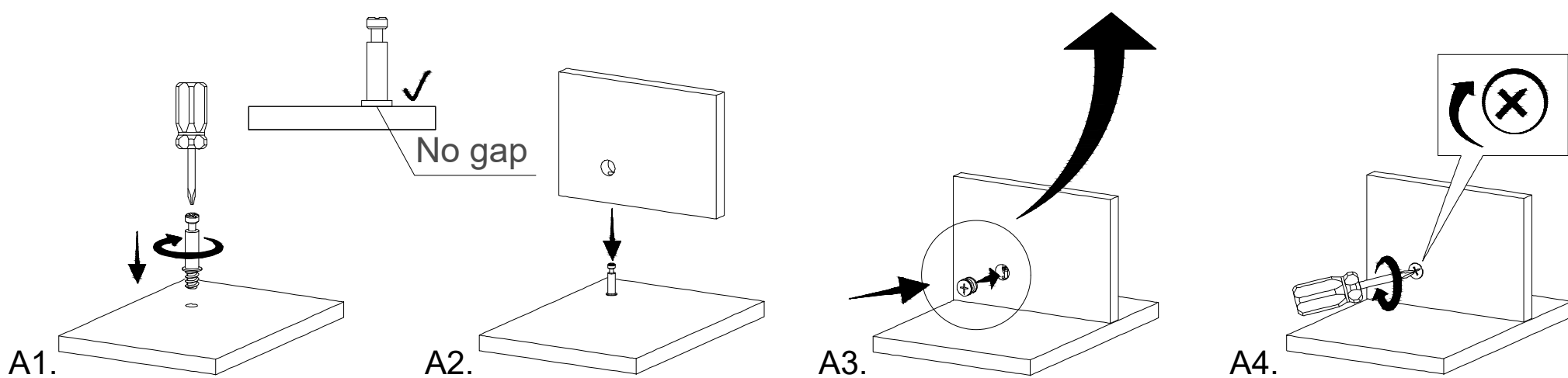
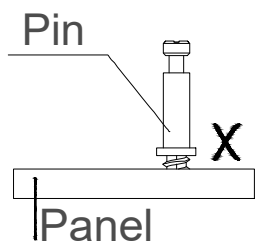
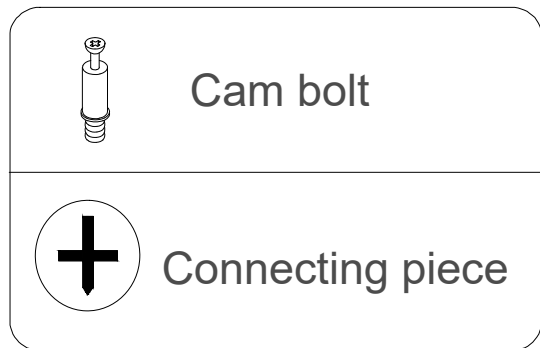
PERFECT STICKER
spare:1



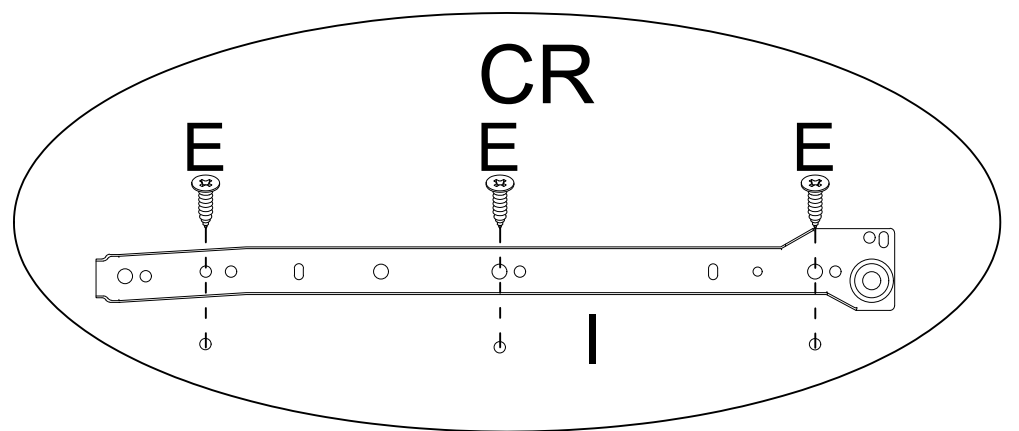
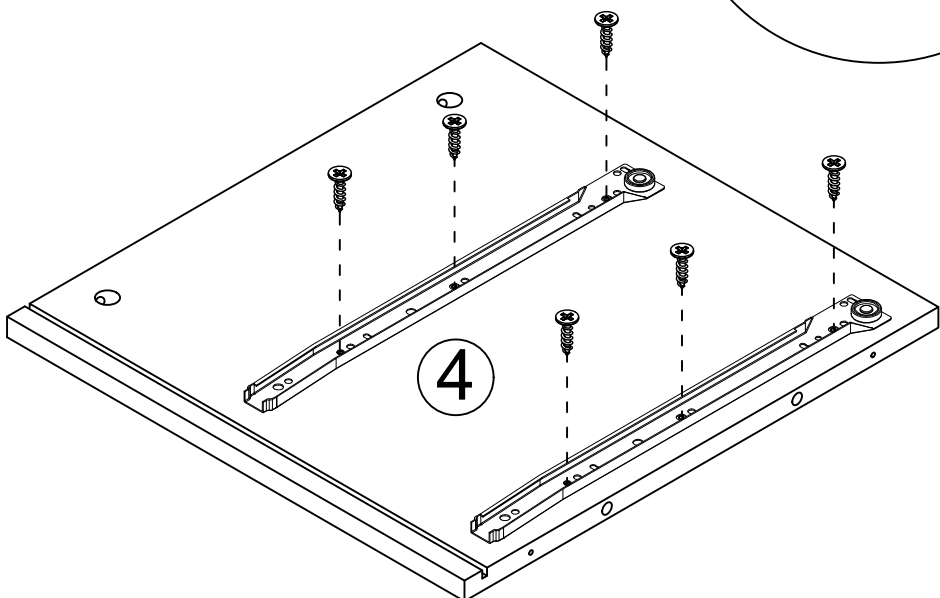
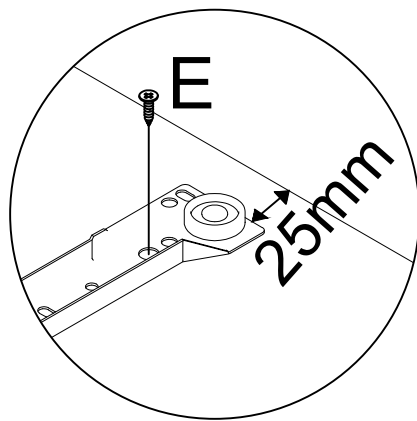
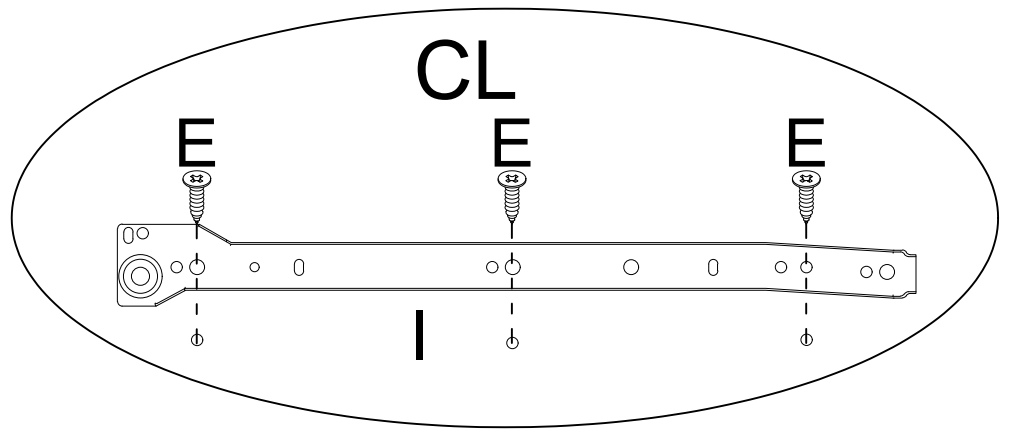
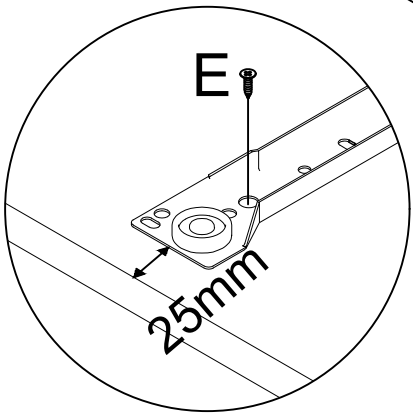
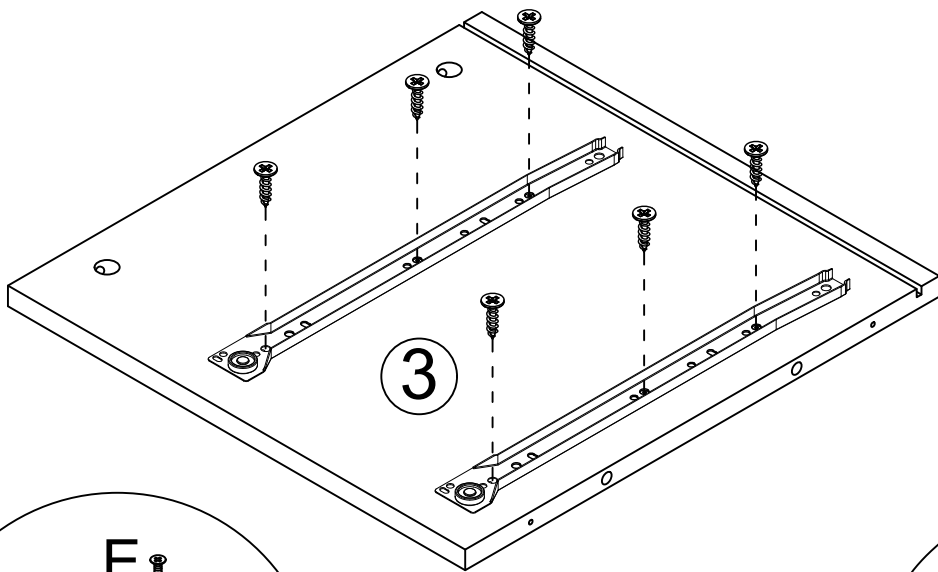
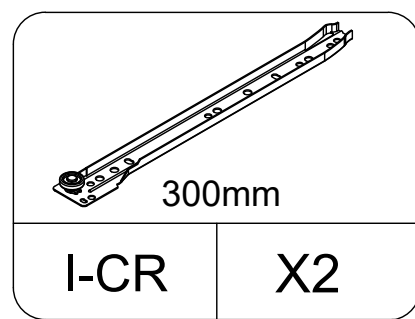
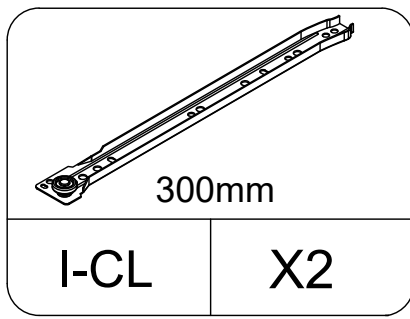
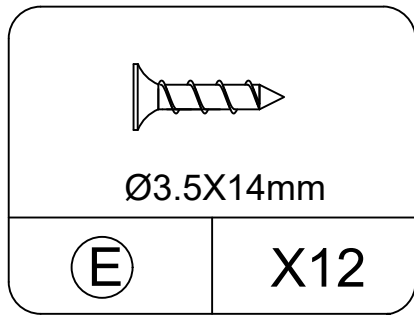
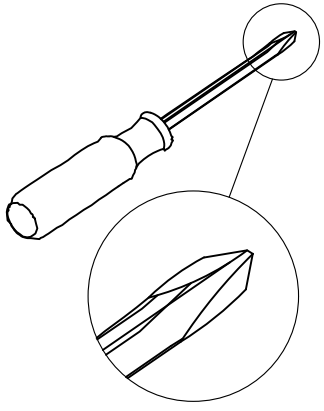
HEX KEY

Assembly Steps

CAM BOLT INSTALLATION AS BELOW:

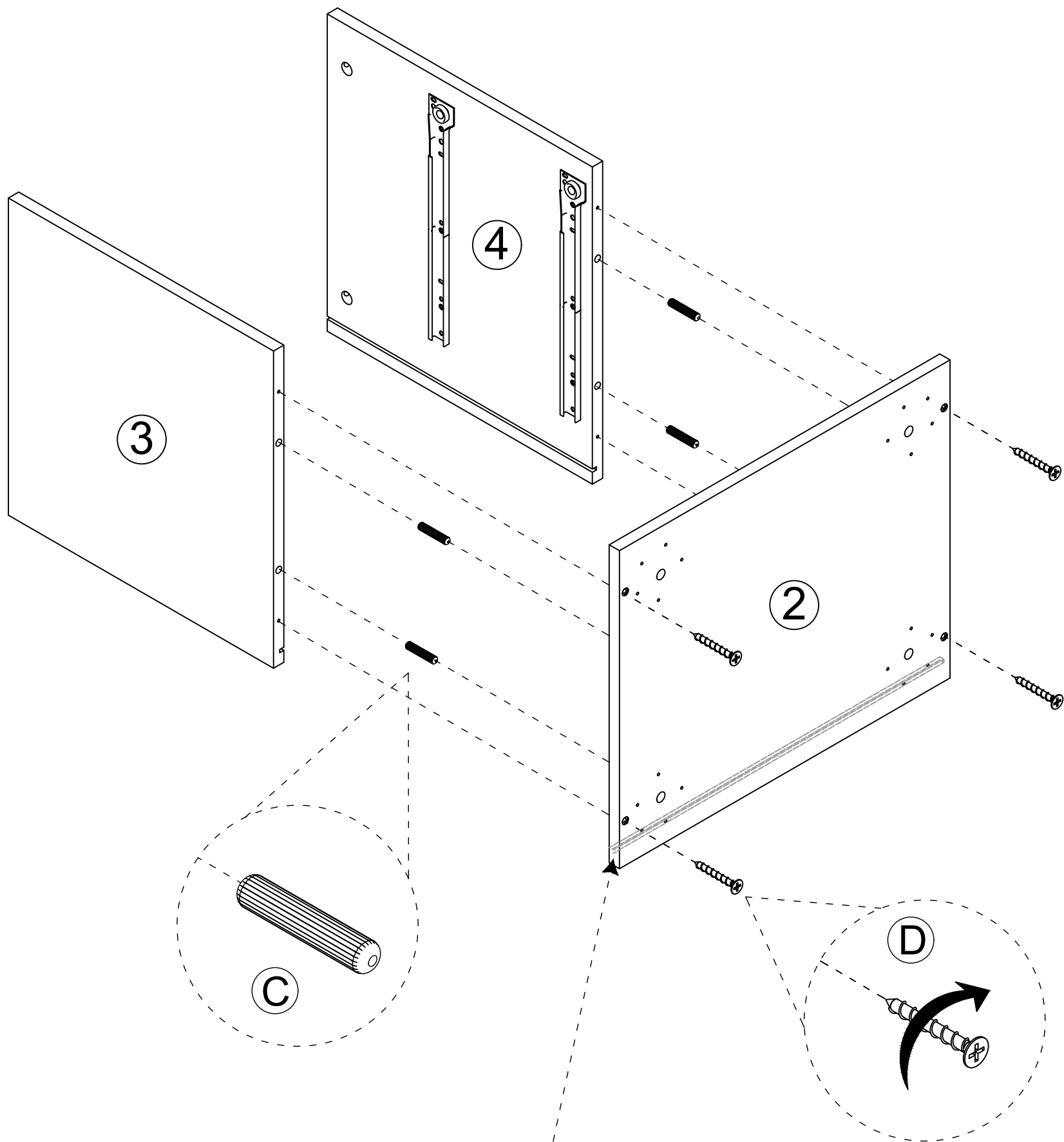
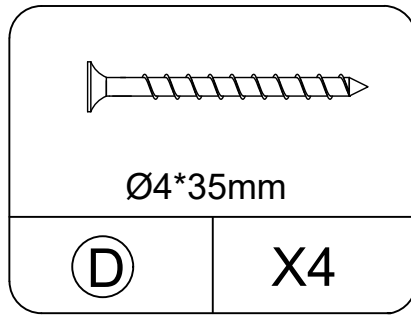
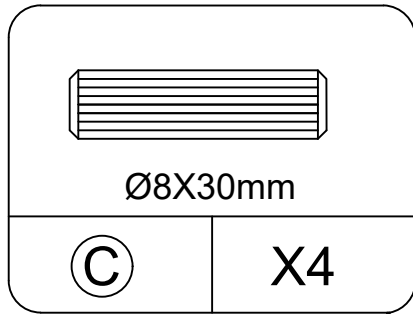
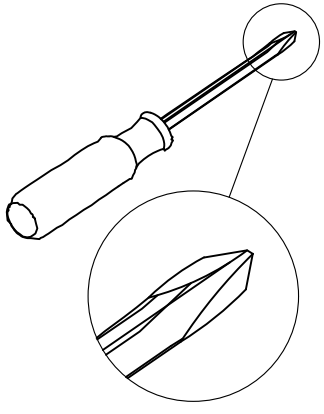


STEP 1



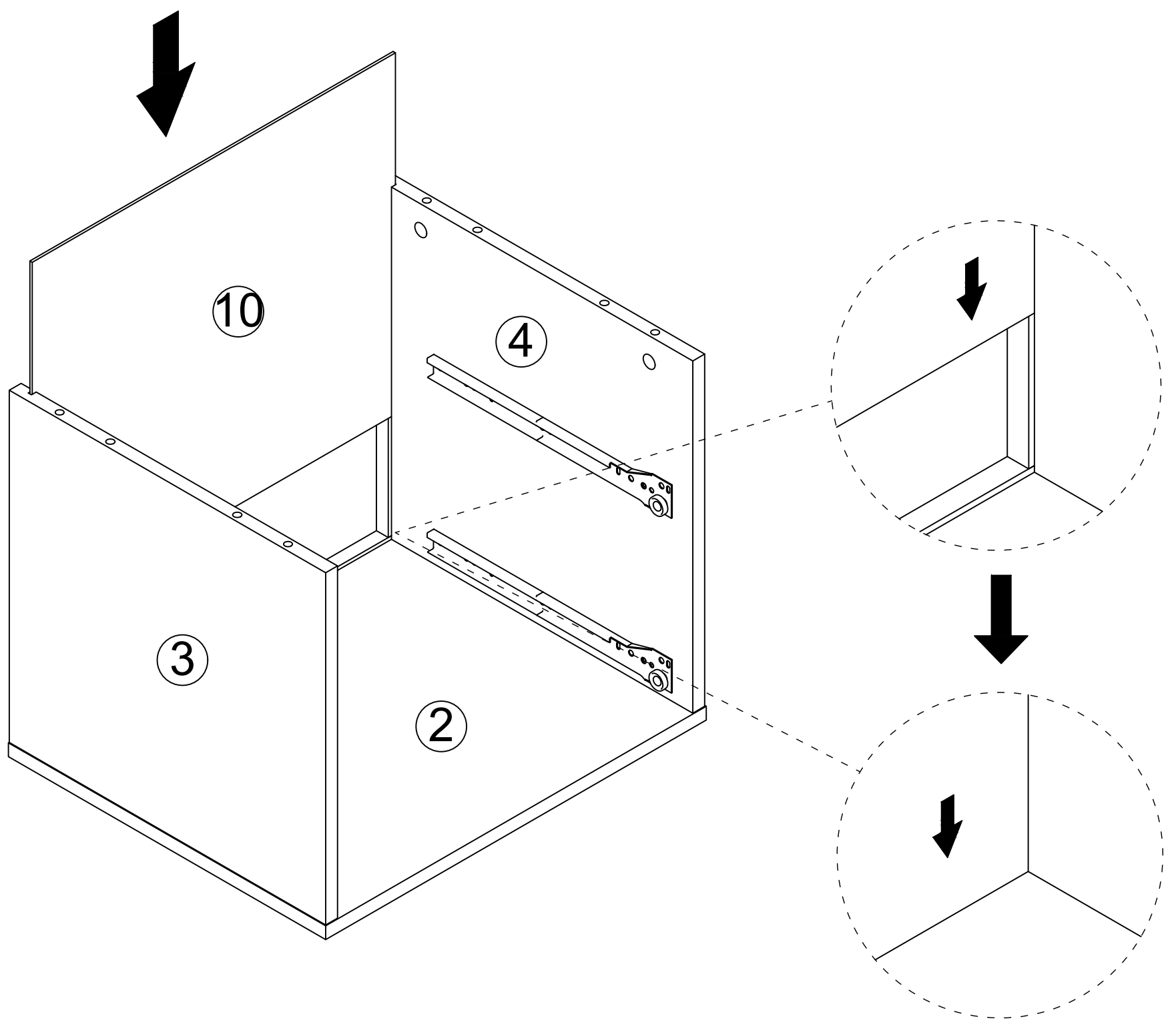
Lock the slides onto the plate according to the holes shown in the illustration.

STEP 2



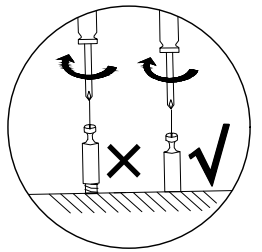
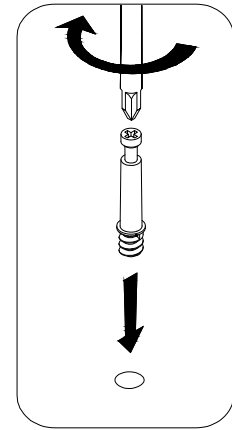
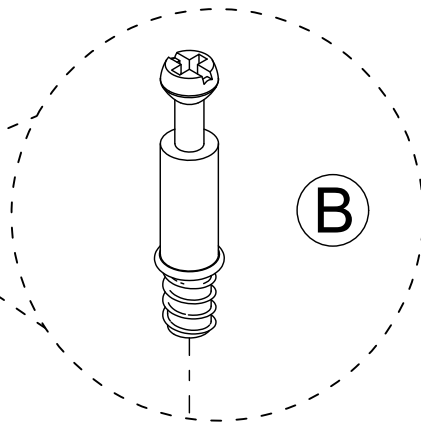
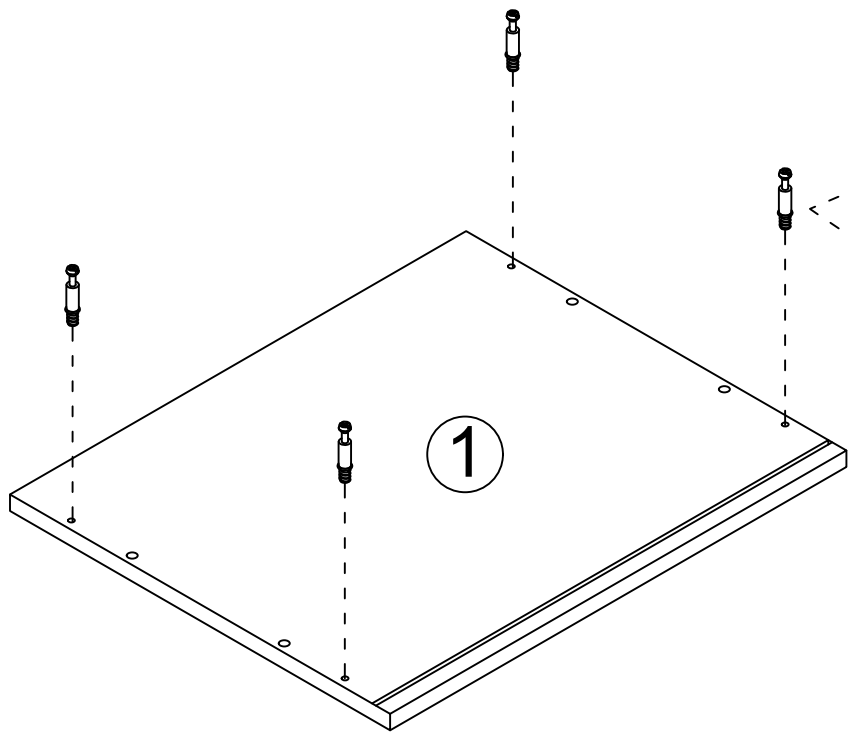
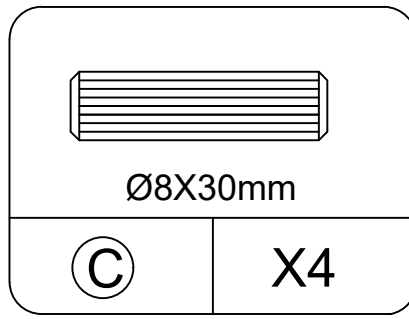
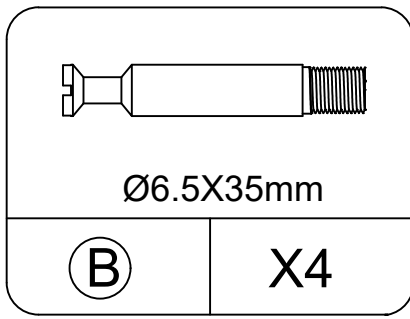
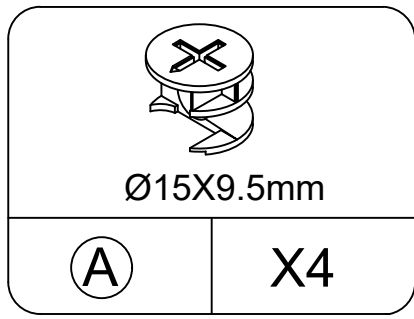
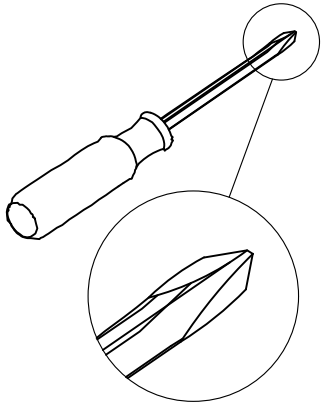
The groove is on the back.

STEP 3

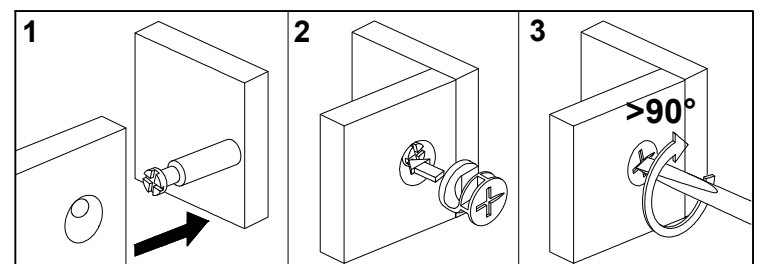
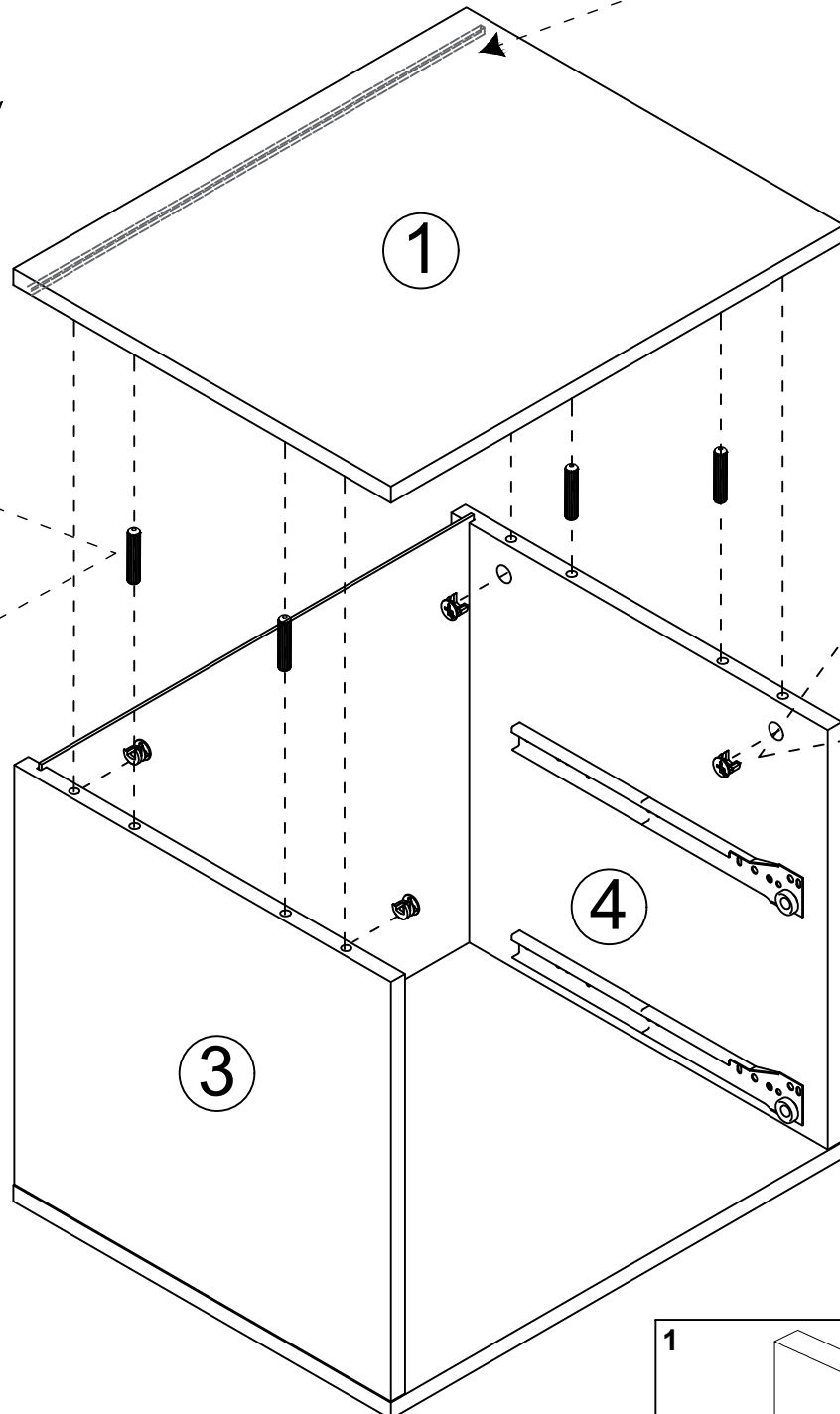
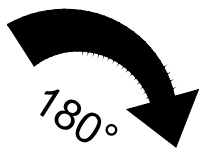


Thin back board needs to be inside the slot, otherwise blocks the opposite plate montage.

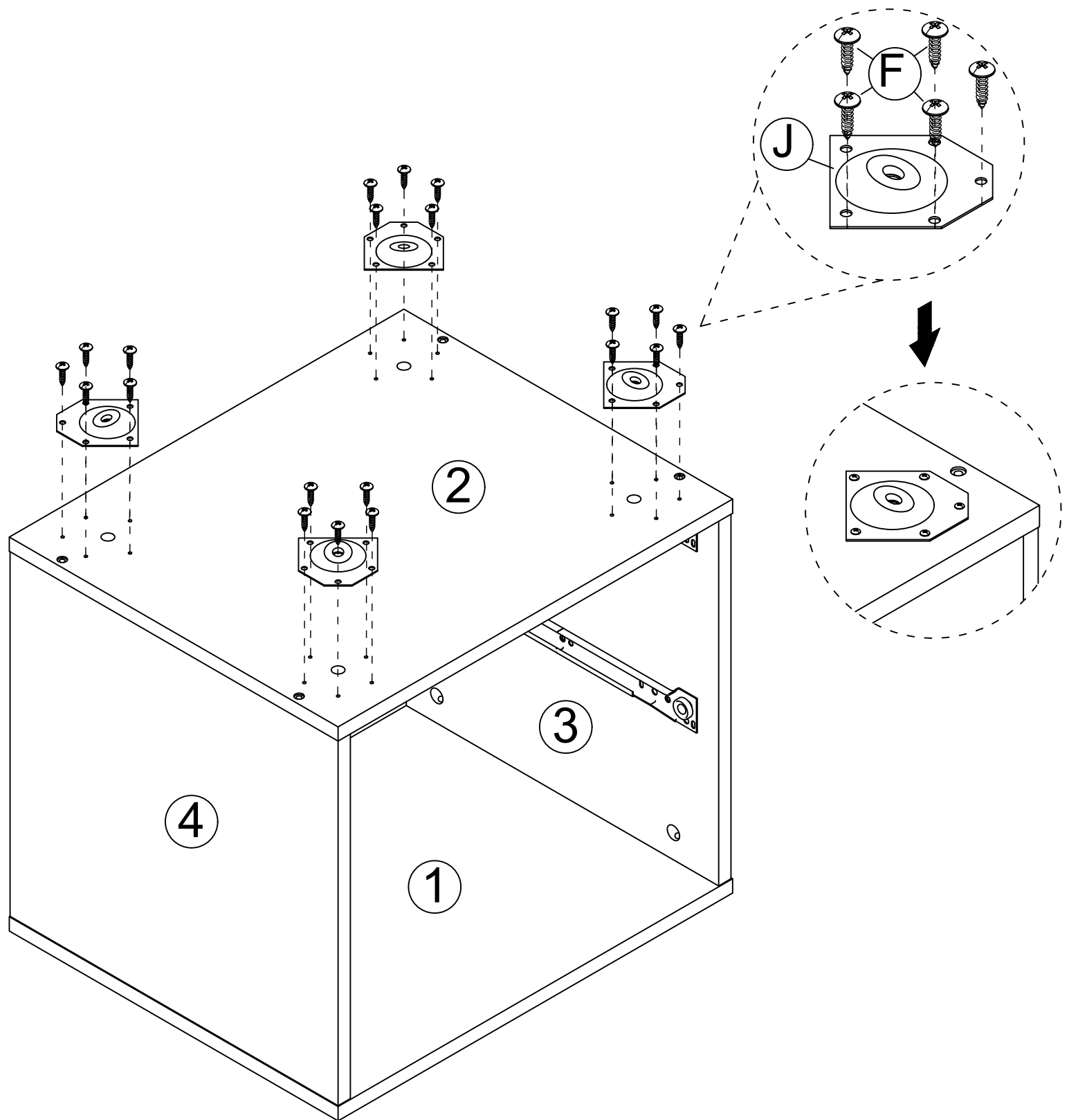
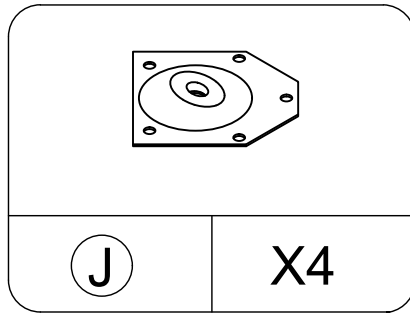
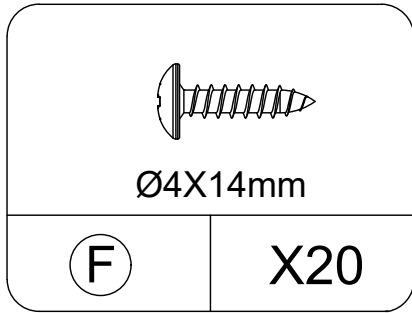
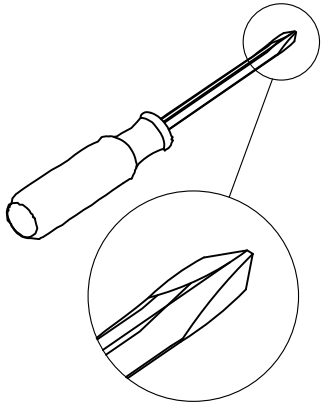
STEP 4



Install with groove facing down.

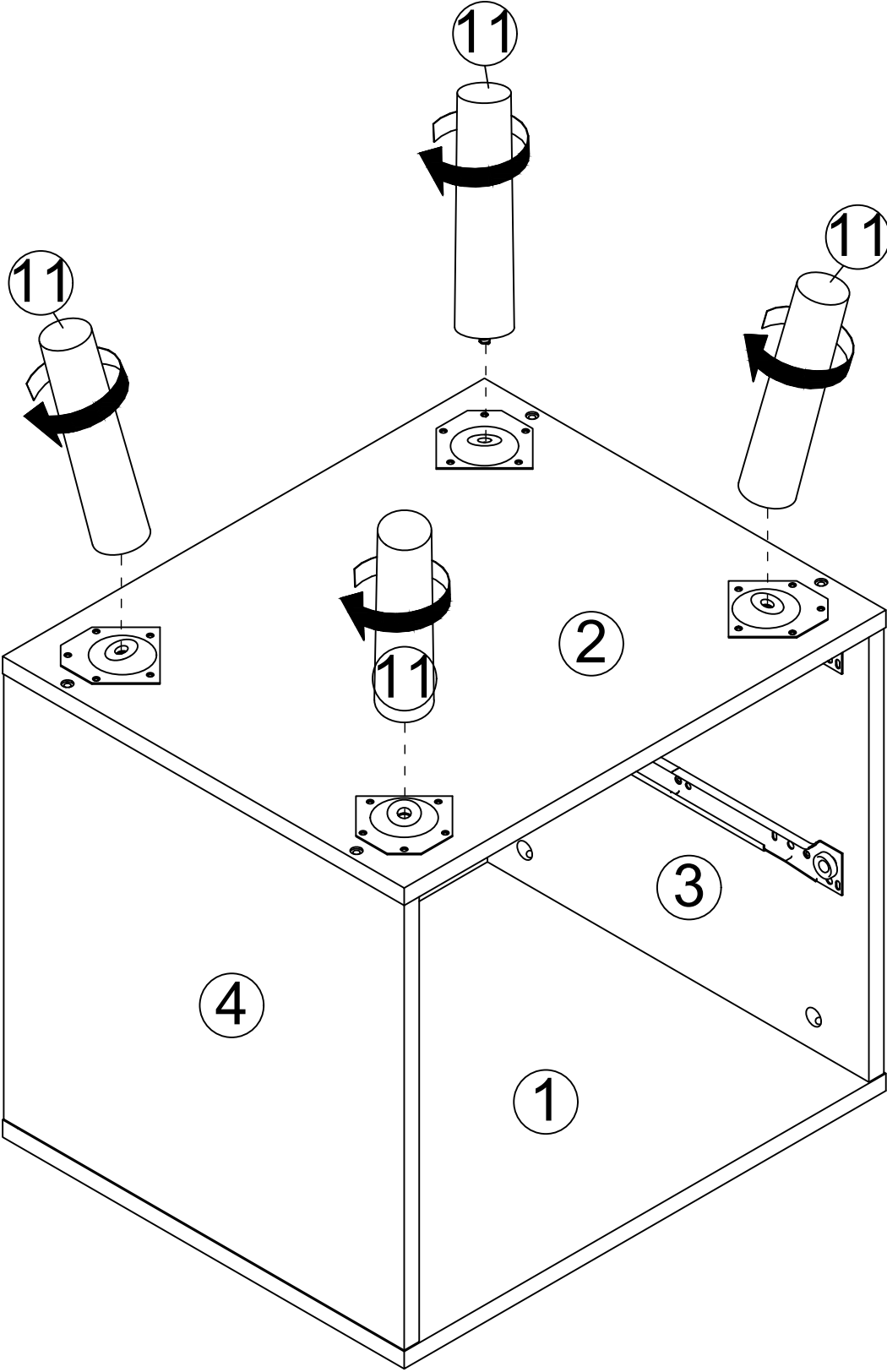


STEP5

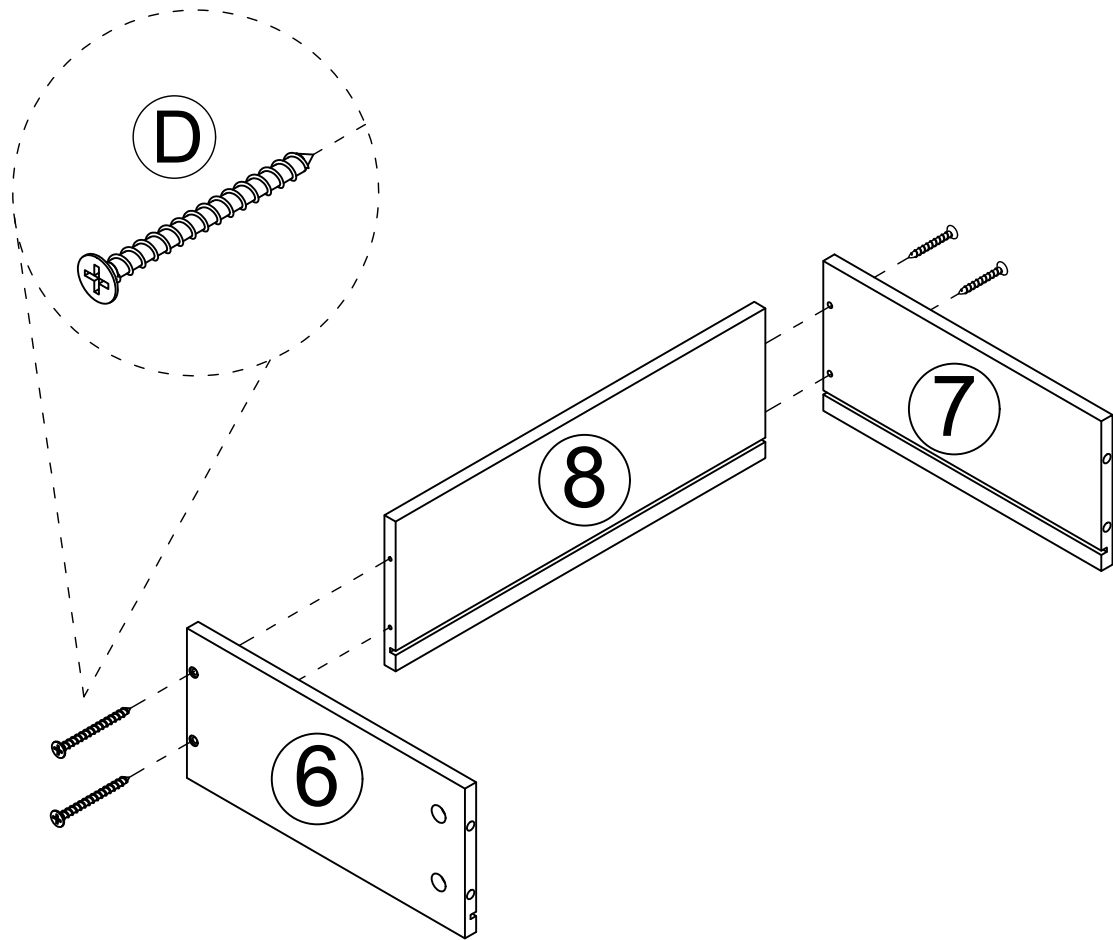
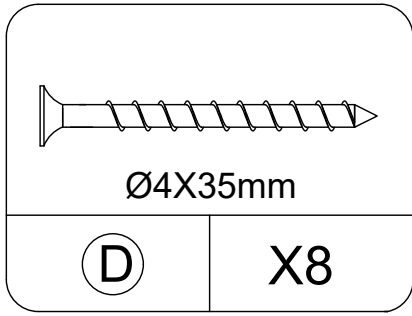
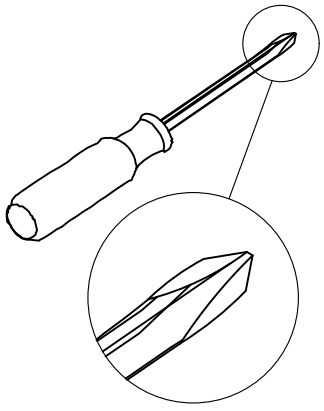


Pay attention to the iron sheet installation direction, as shown in the figure, otherwise it will affect the next step.

STEP 6

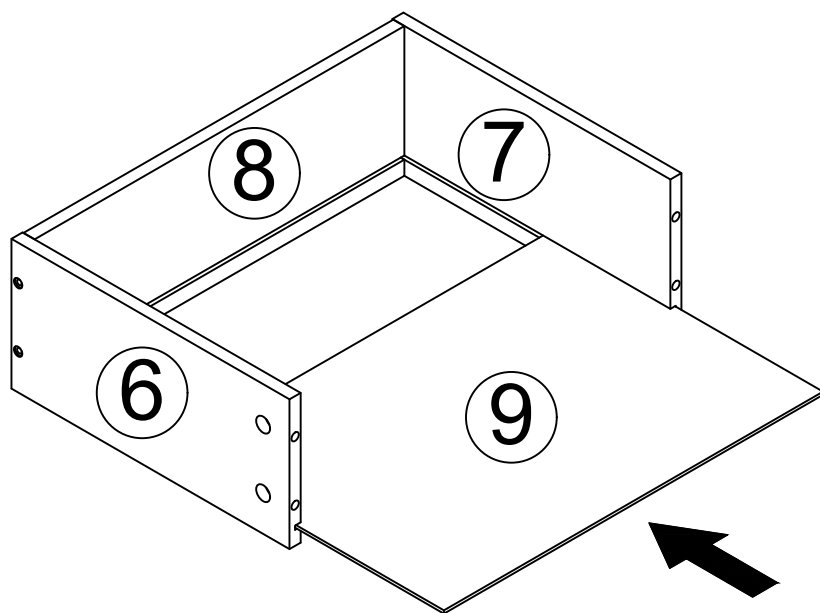


STEP 7



X2

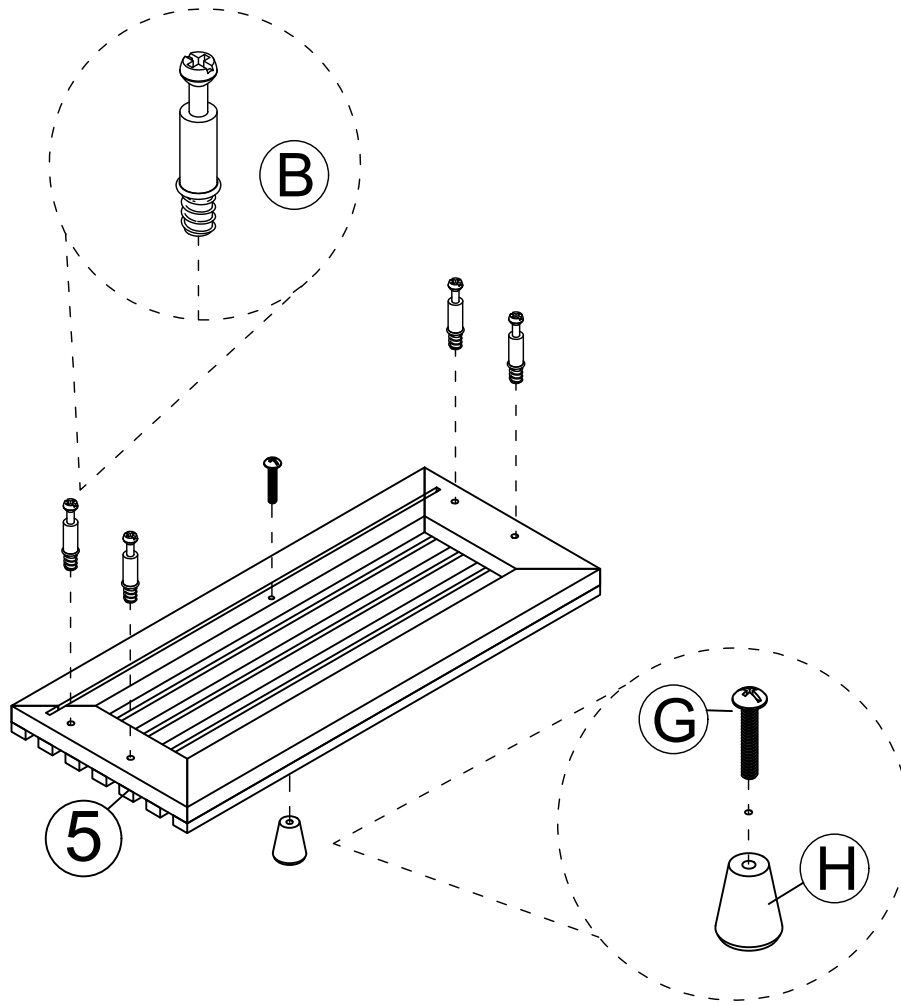
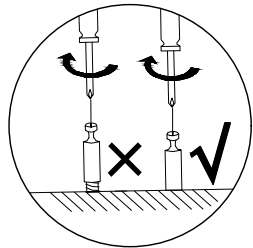
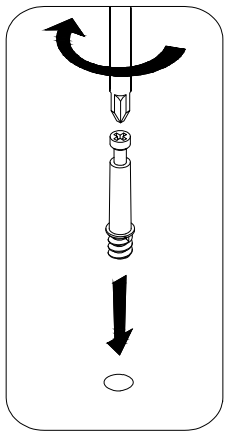
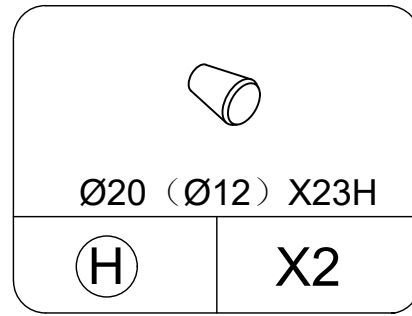
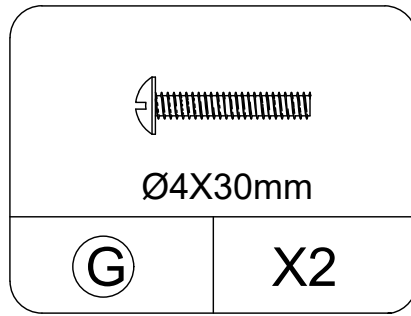
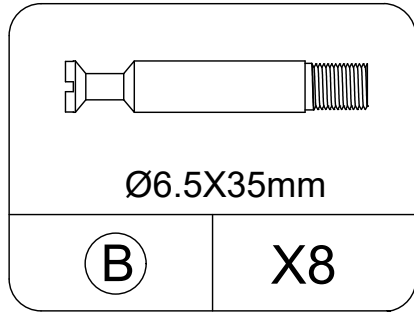
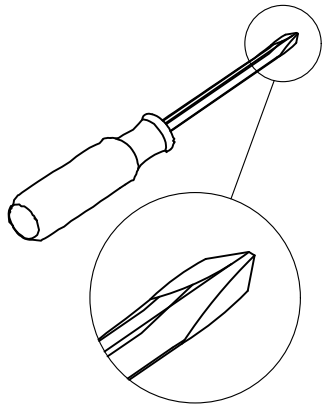
STEP 8



The thin backplate must be fully installed into the slot or it will prevent proper installation.

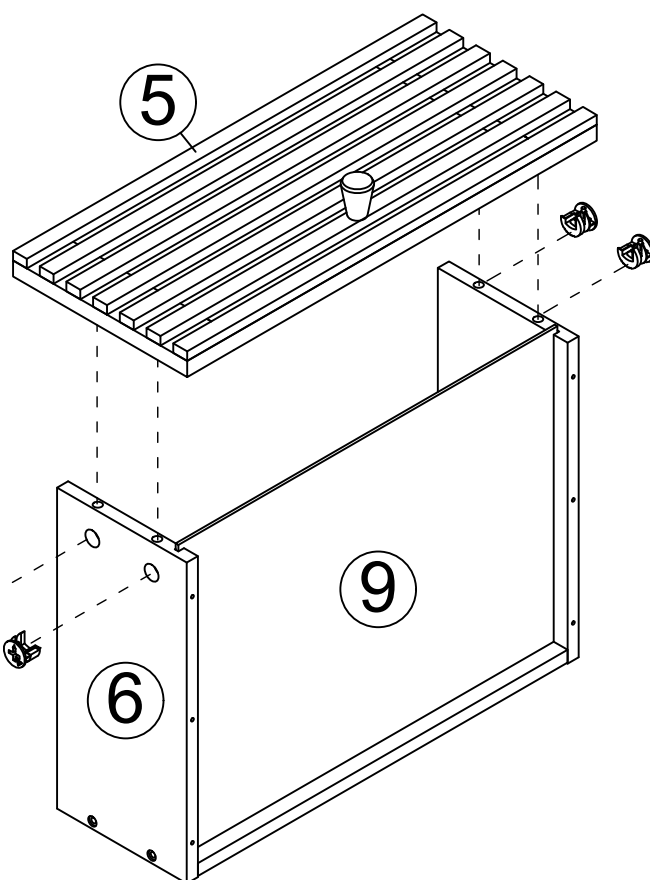
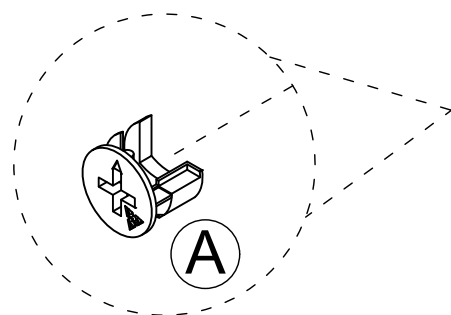
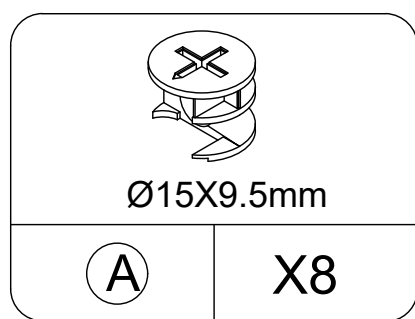
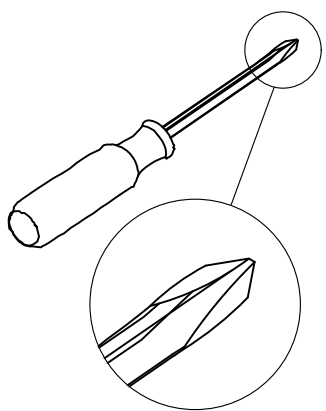
X2

STEP9

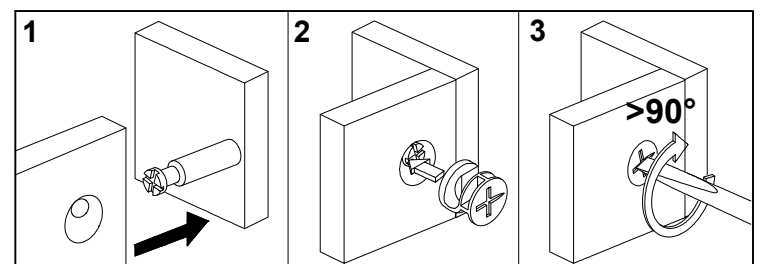


X2

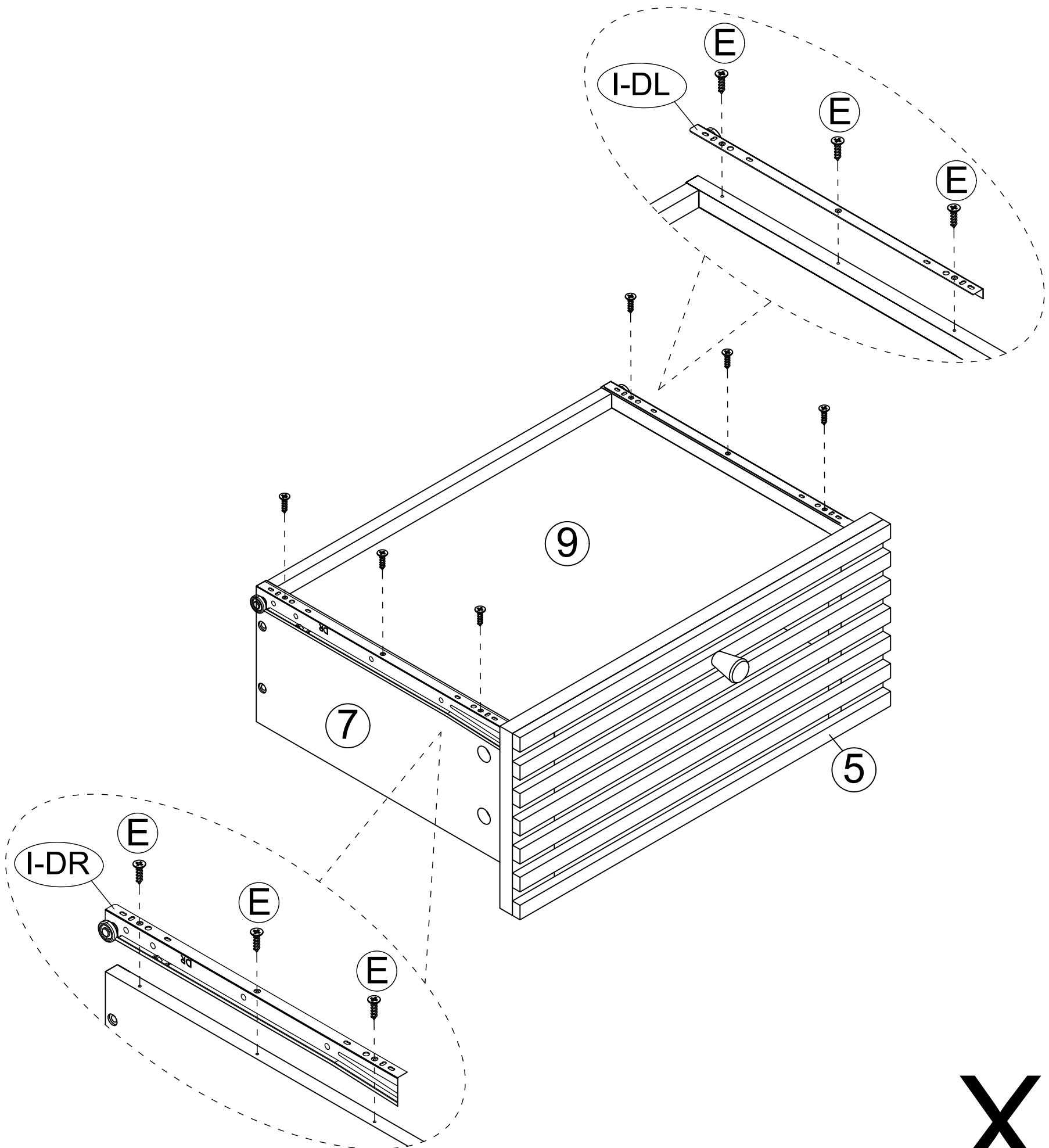
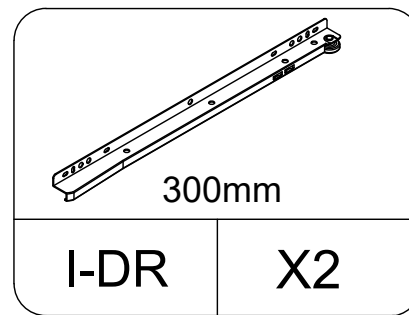
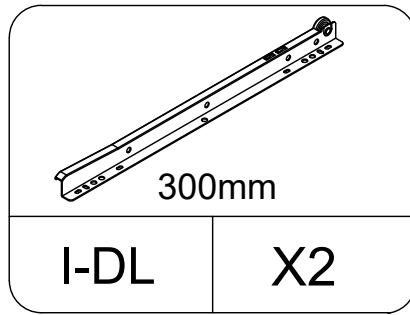
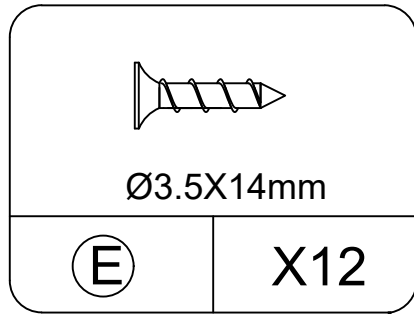
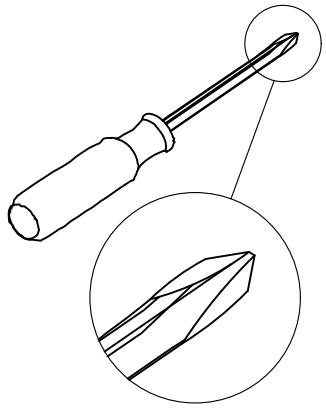
STEP10



X2



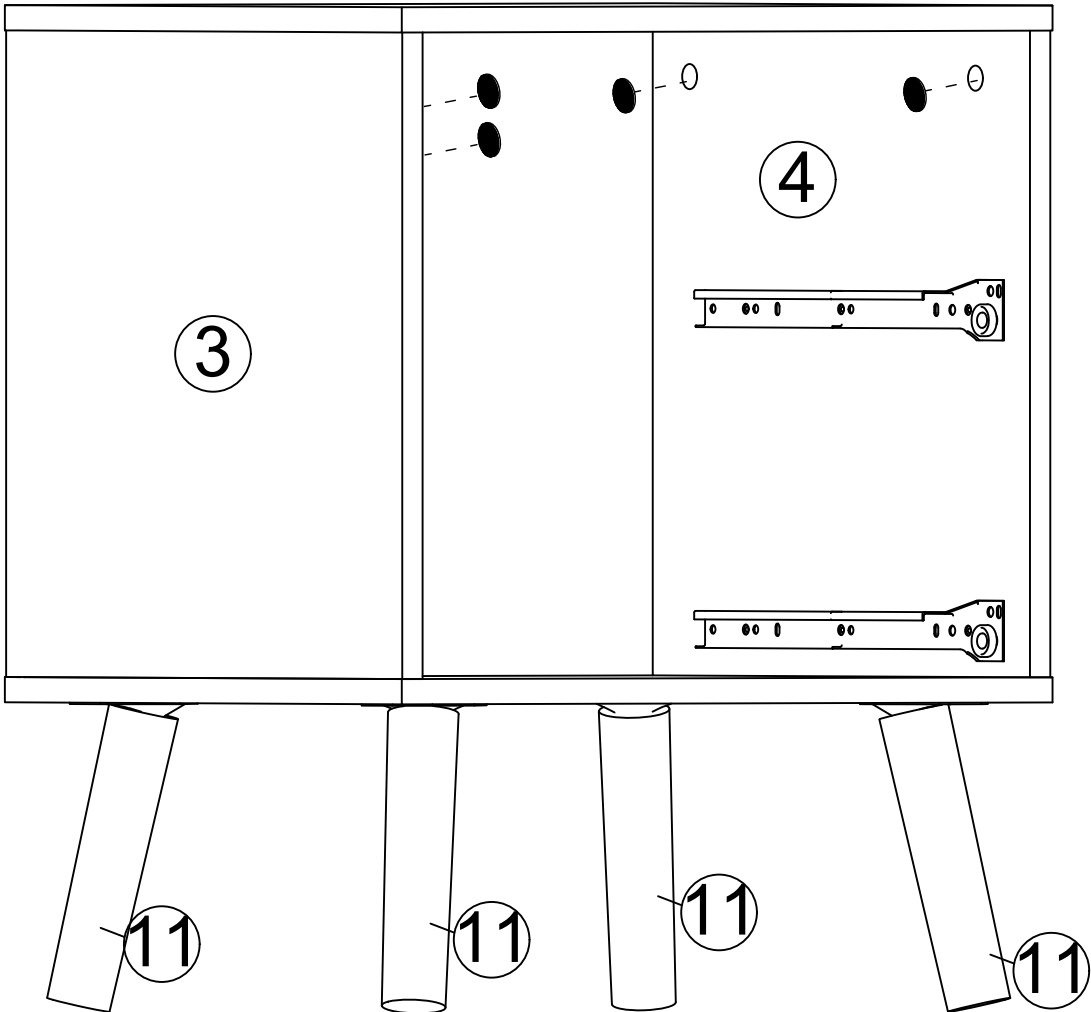
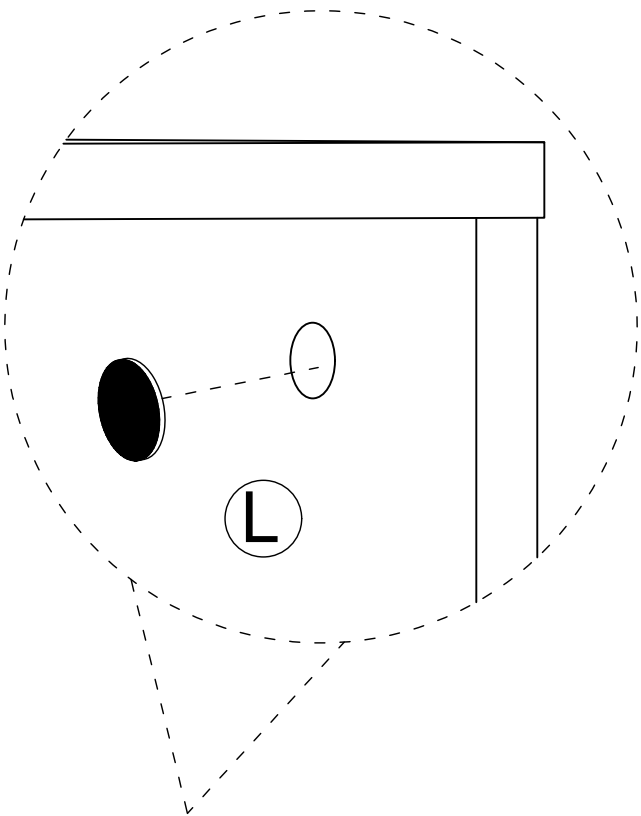
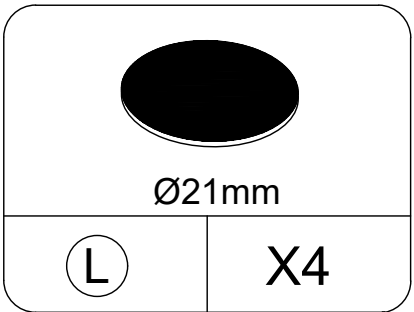
STEP 11



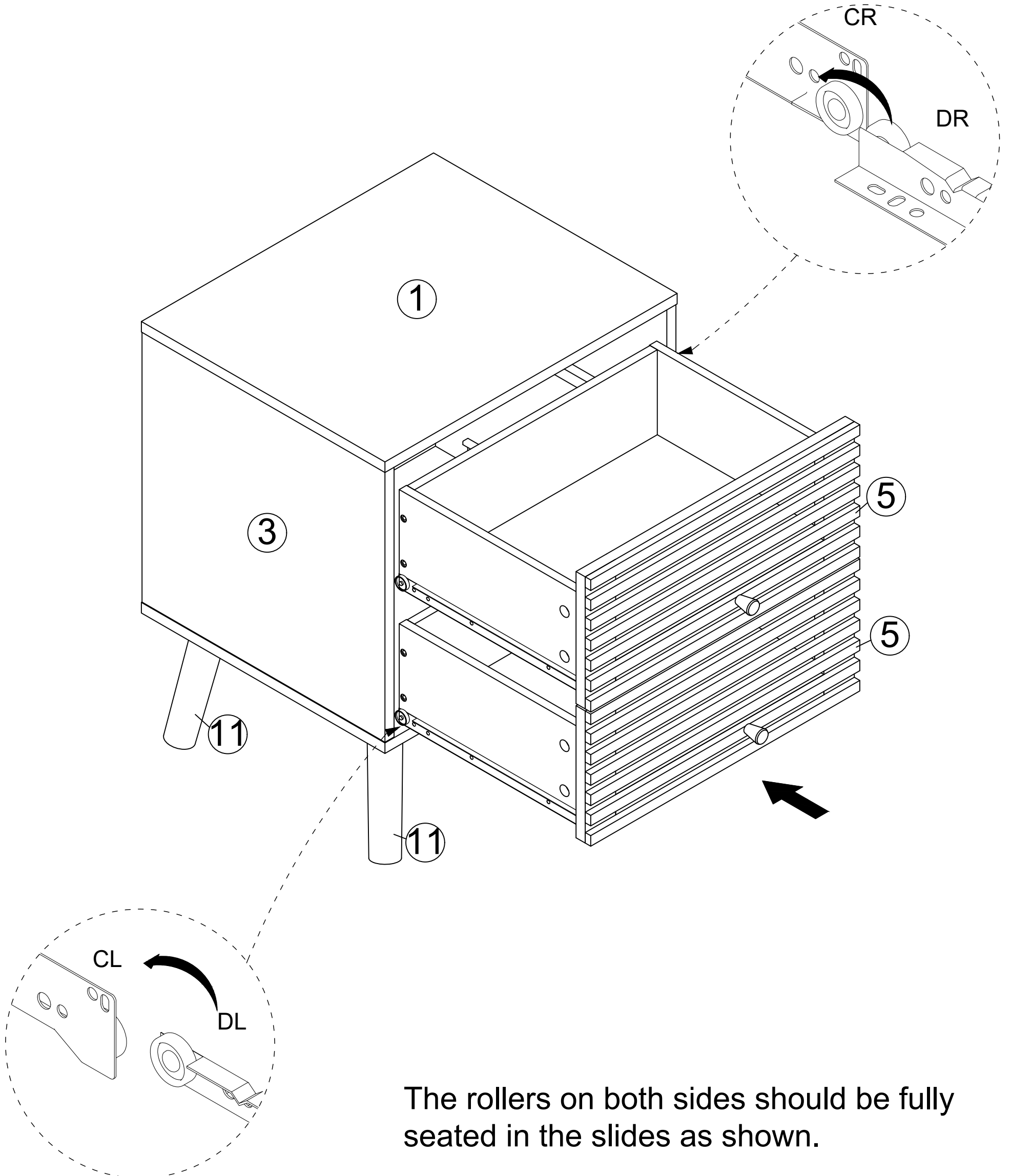
X2

Lock the slides onto the plate according to the holes shown in the illustration.

STEP12

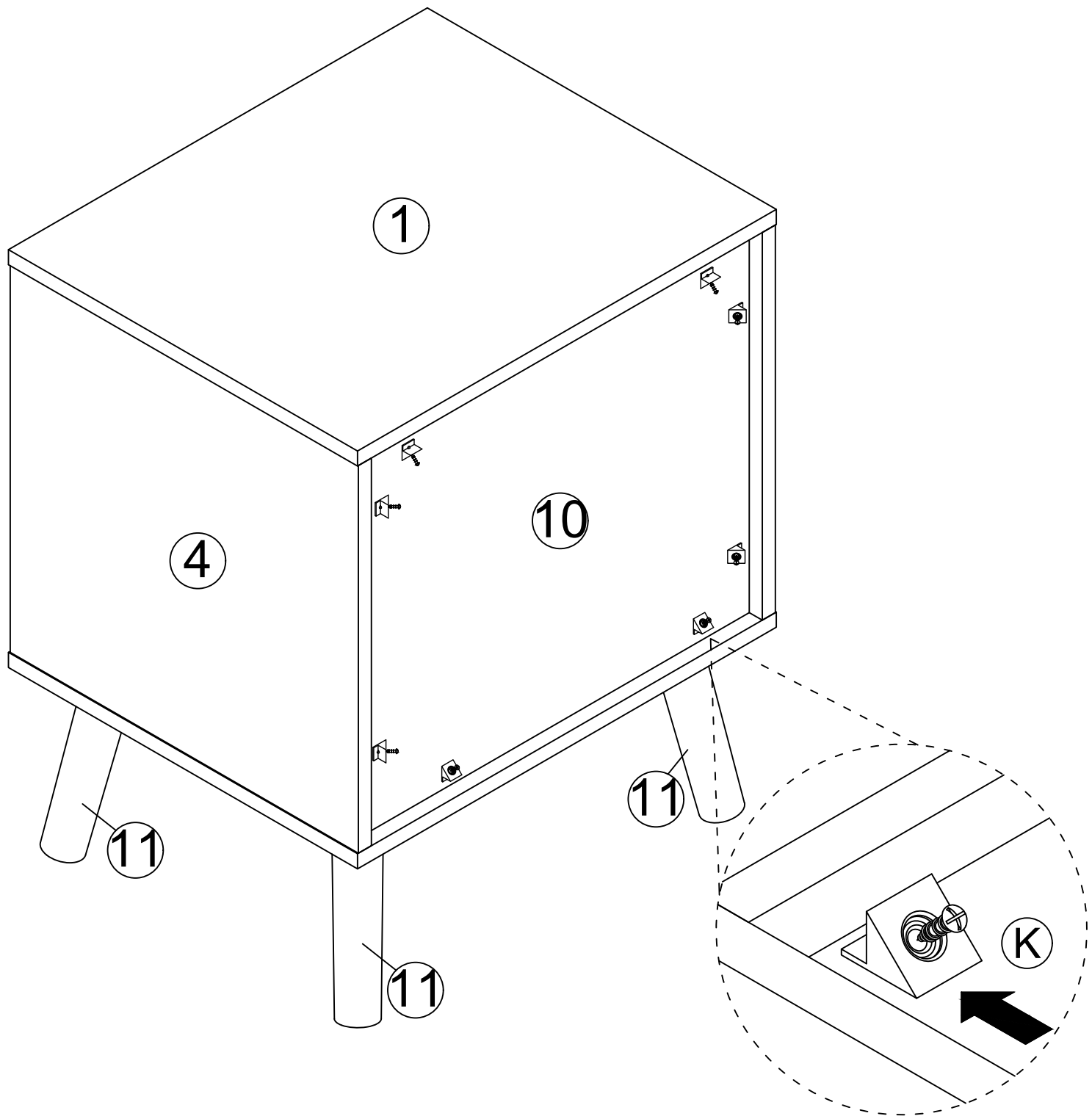
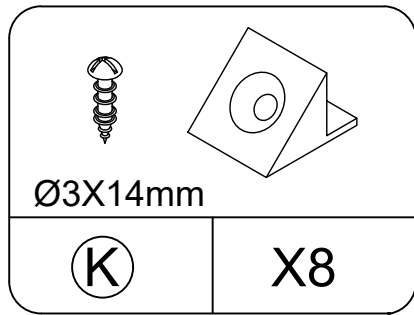
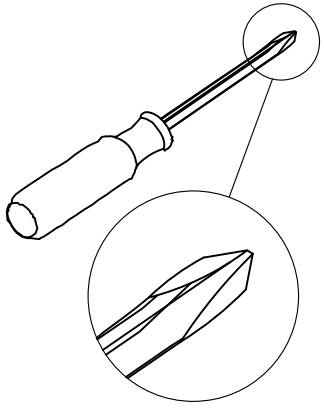


STEP13



The rollers on both sides should be fully seated in the slides as shown.

STEP14



Insert the plastic buckle into the back plate slot, screw through the hole in the plastic buckle and lock it in place.

STEP 15

