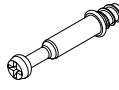



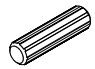
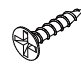

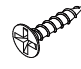



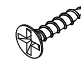

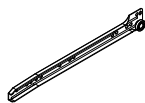
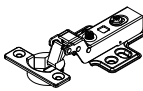
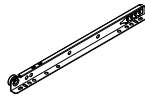



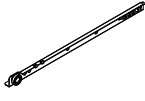
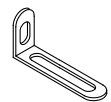
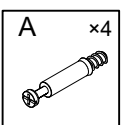
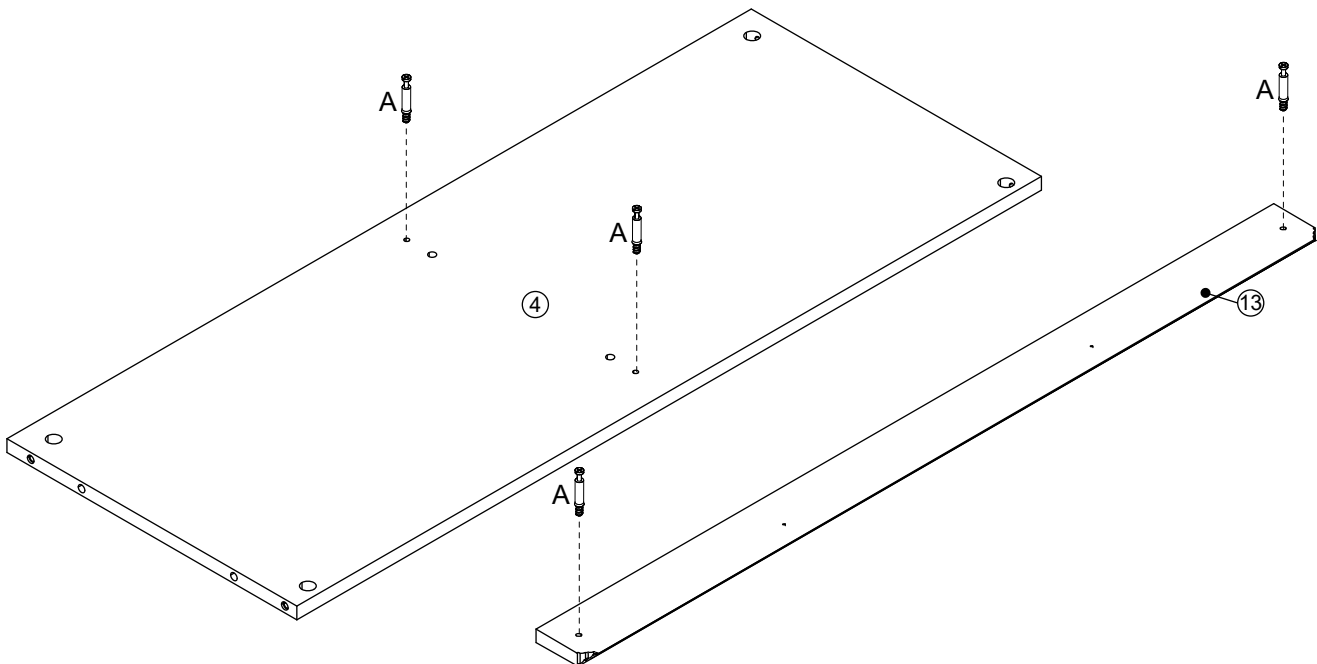
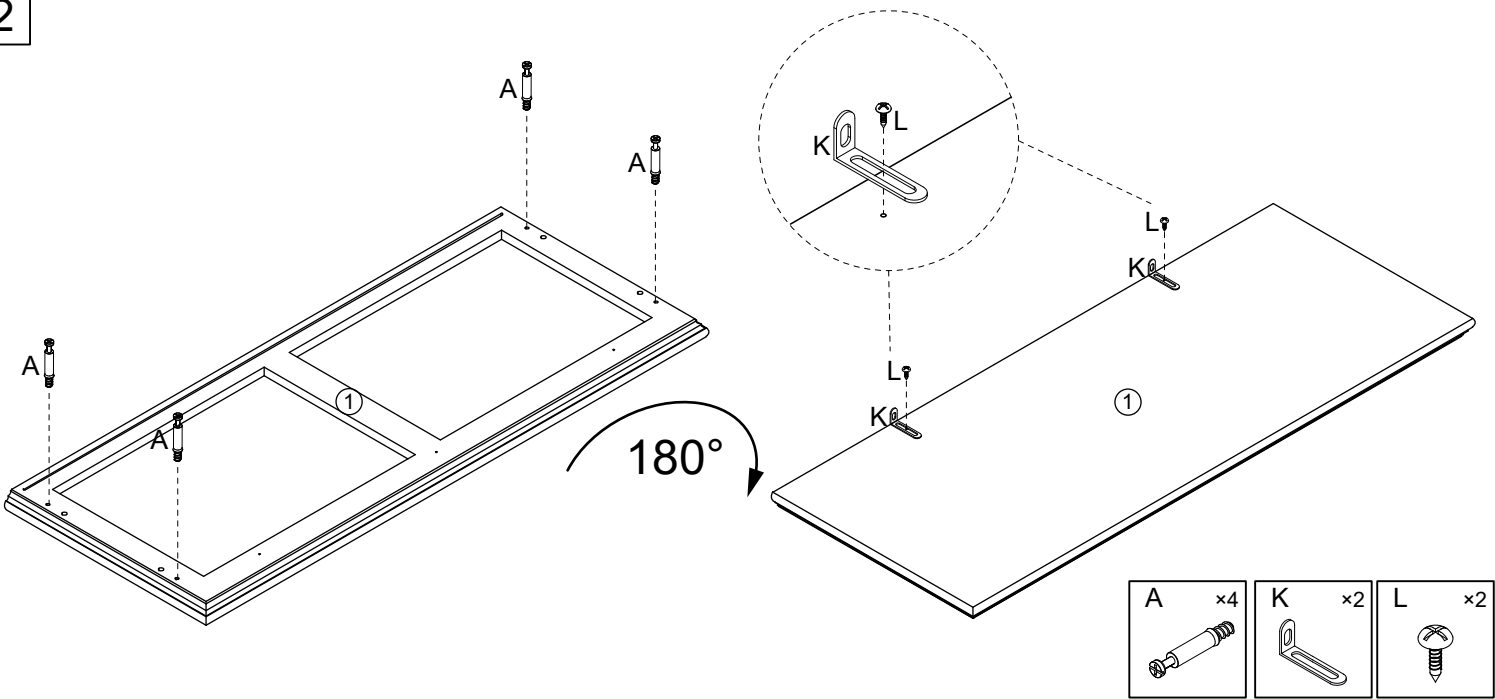


A	 Φ6×35	32PCS	L	 Φ4×12	2PCS
B	 Φ15×10	32PCS	M		2PCS
C	 Φ6×30	22PCS	N	 Φ2×10	12PCS
D	 Φ4×25	13PCS	O	 Φ3×16	8PCS
E	 Φ4×35	12PCS	P		8PCS
F	 Φ4×16	4PCS	Q	 Φ3×12	16PCS
G	 Φ31×23	4PCS	CR	 300mm	2PCS
H		6PCS	DR	 300mm	2PCS
I	 Φ4×14	24PCS	CL	 300mm	2PCS
J		4PCS	DL	 300mm	2PCS
K	 73×25×15	2PCS			

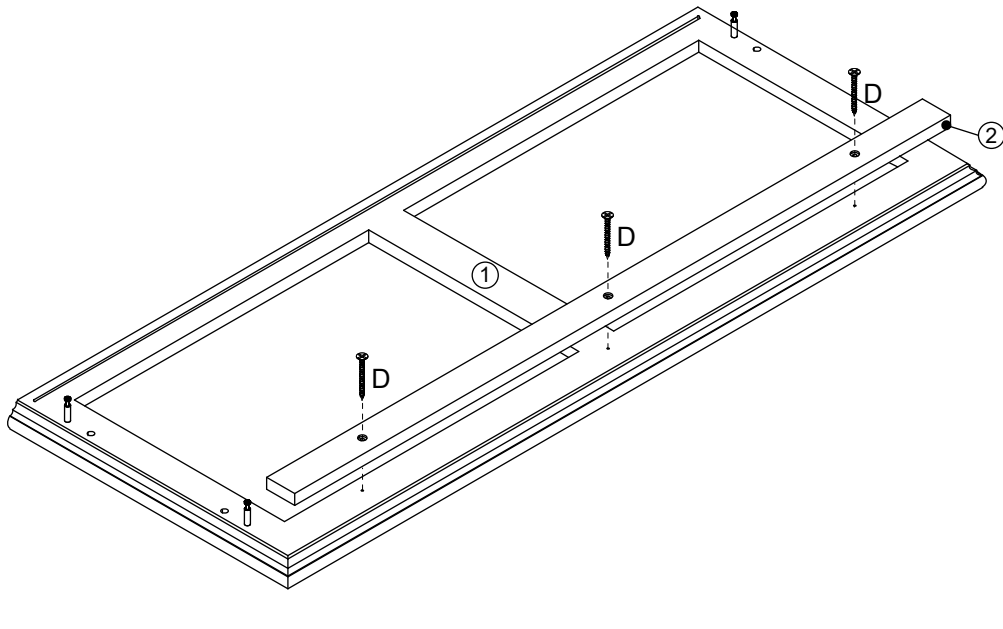
1



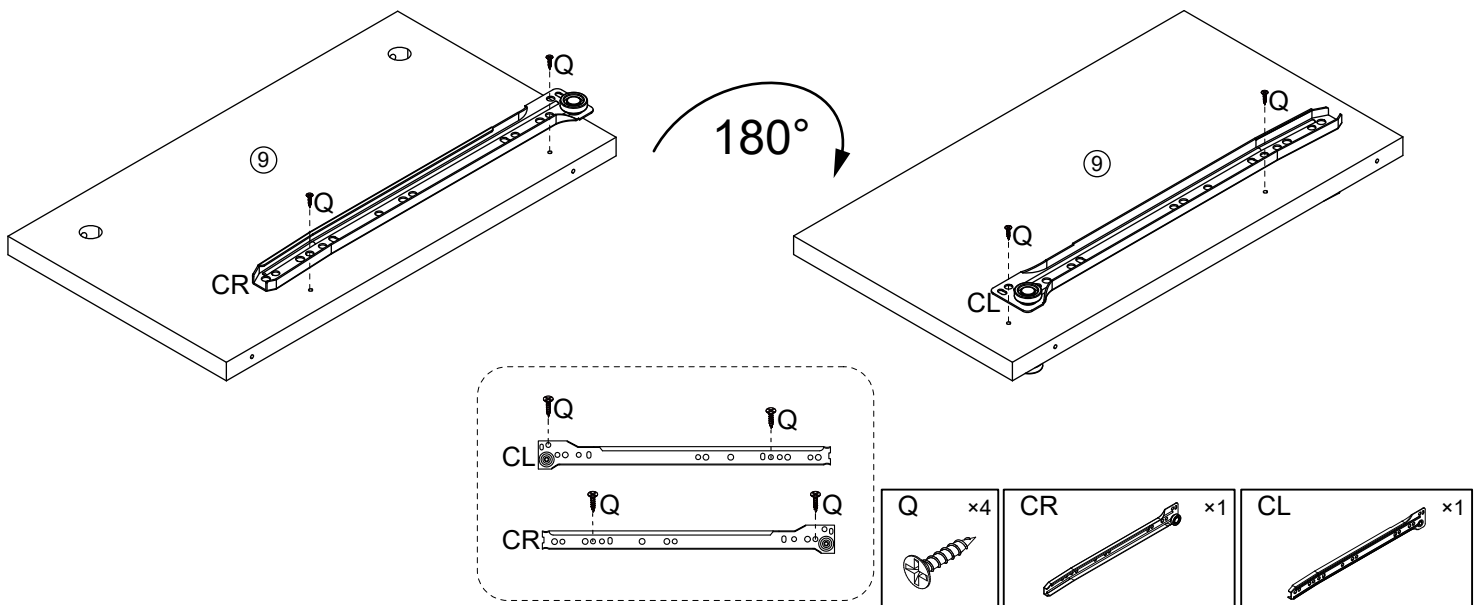
2



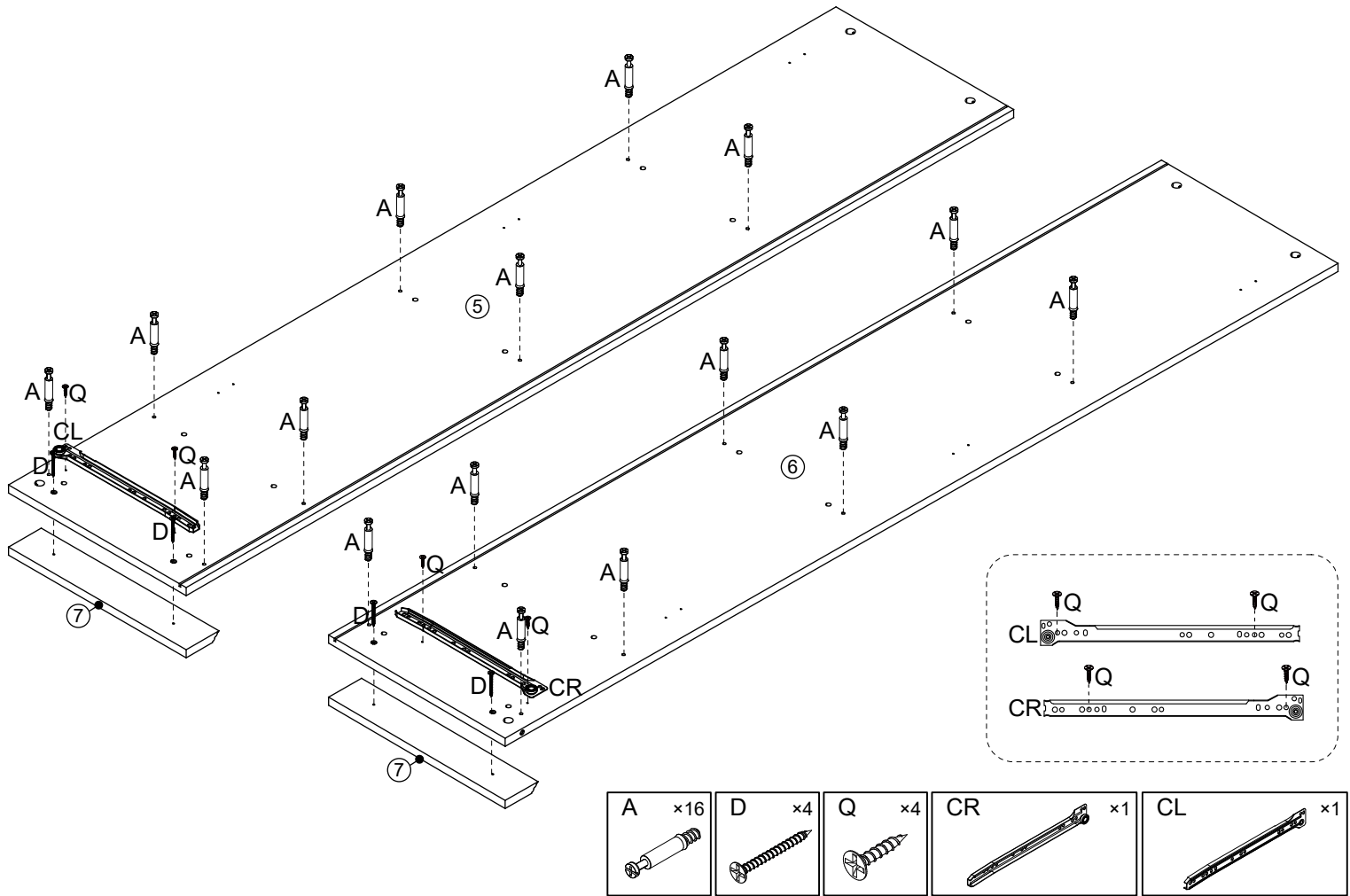
3



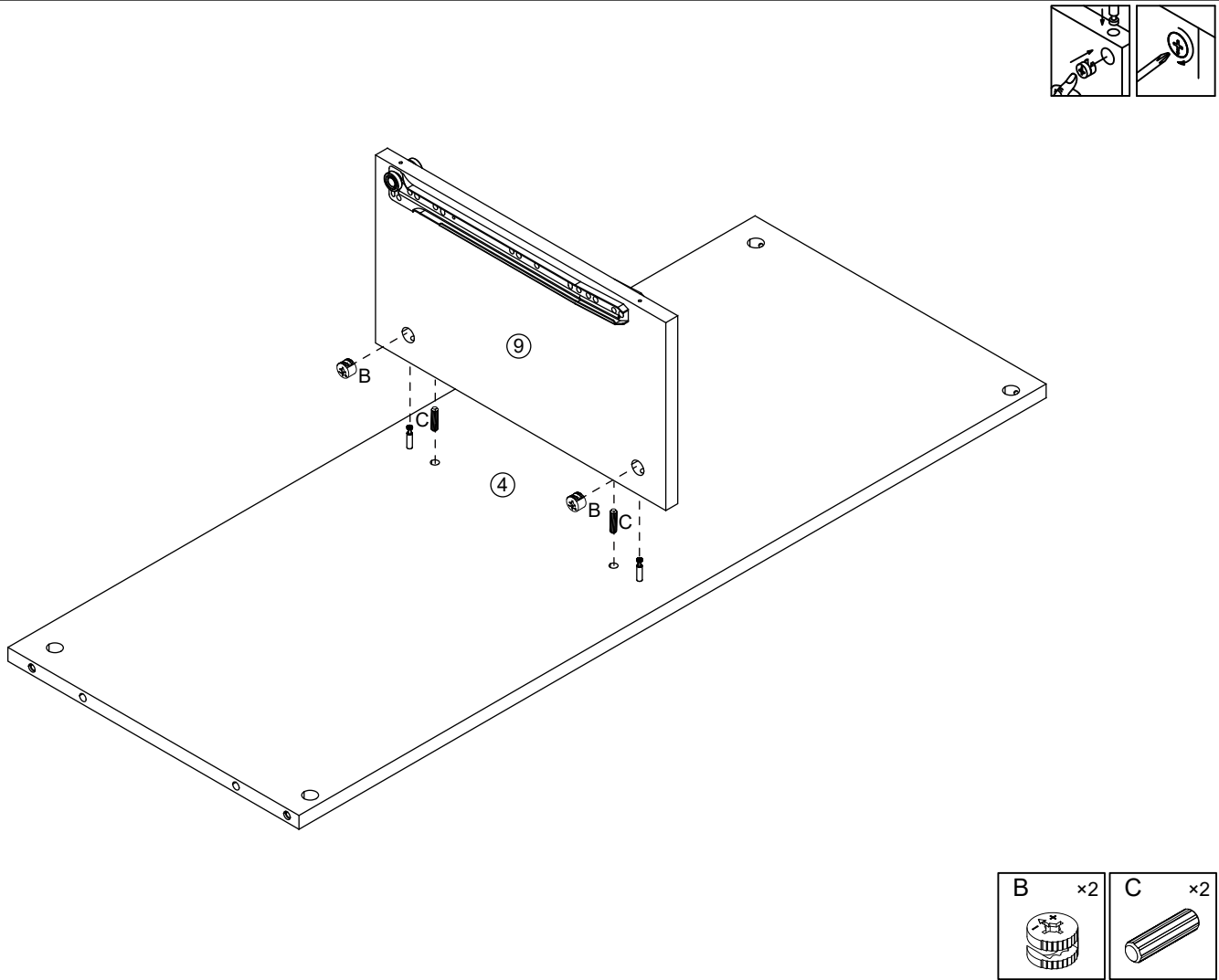
4



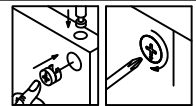
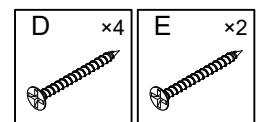
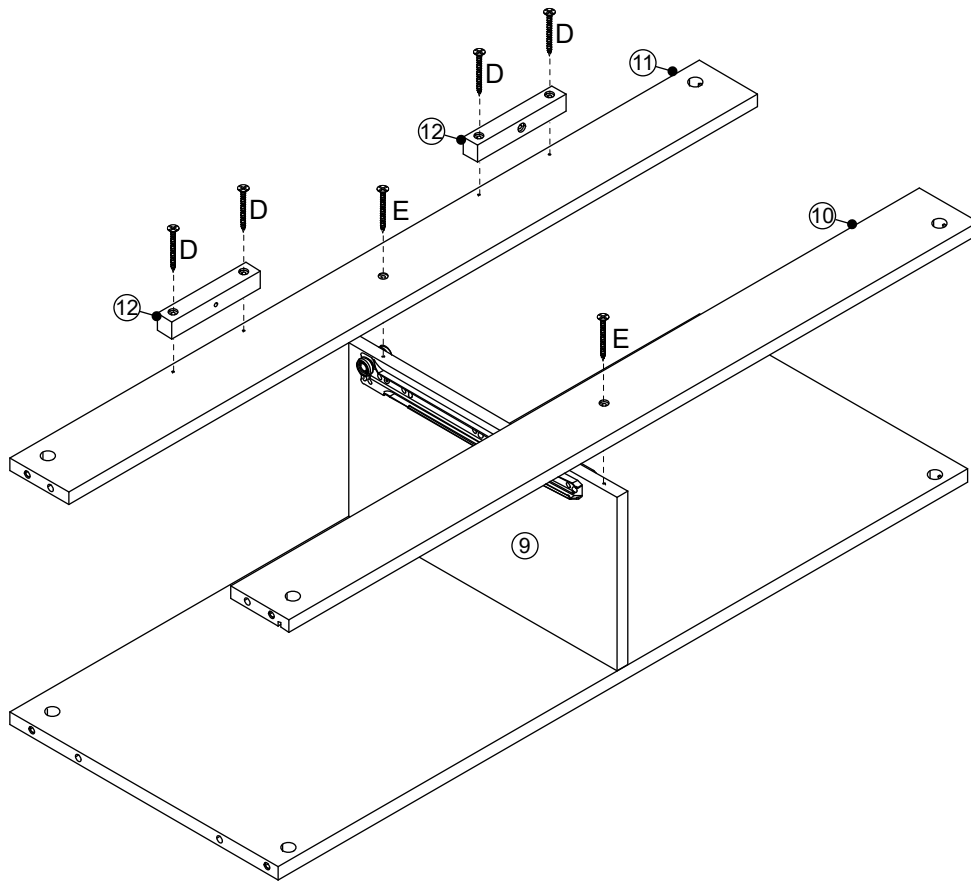
5



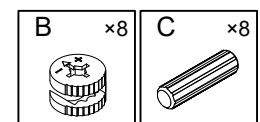
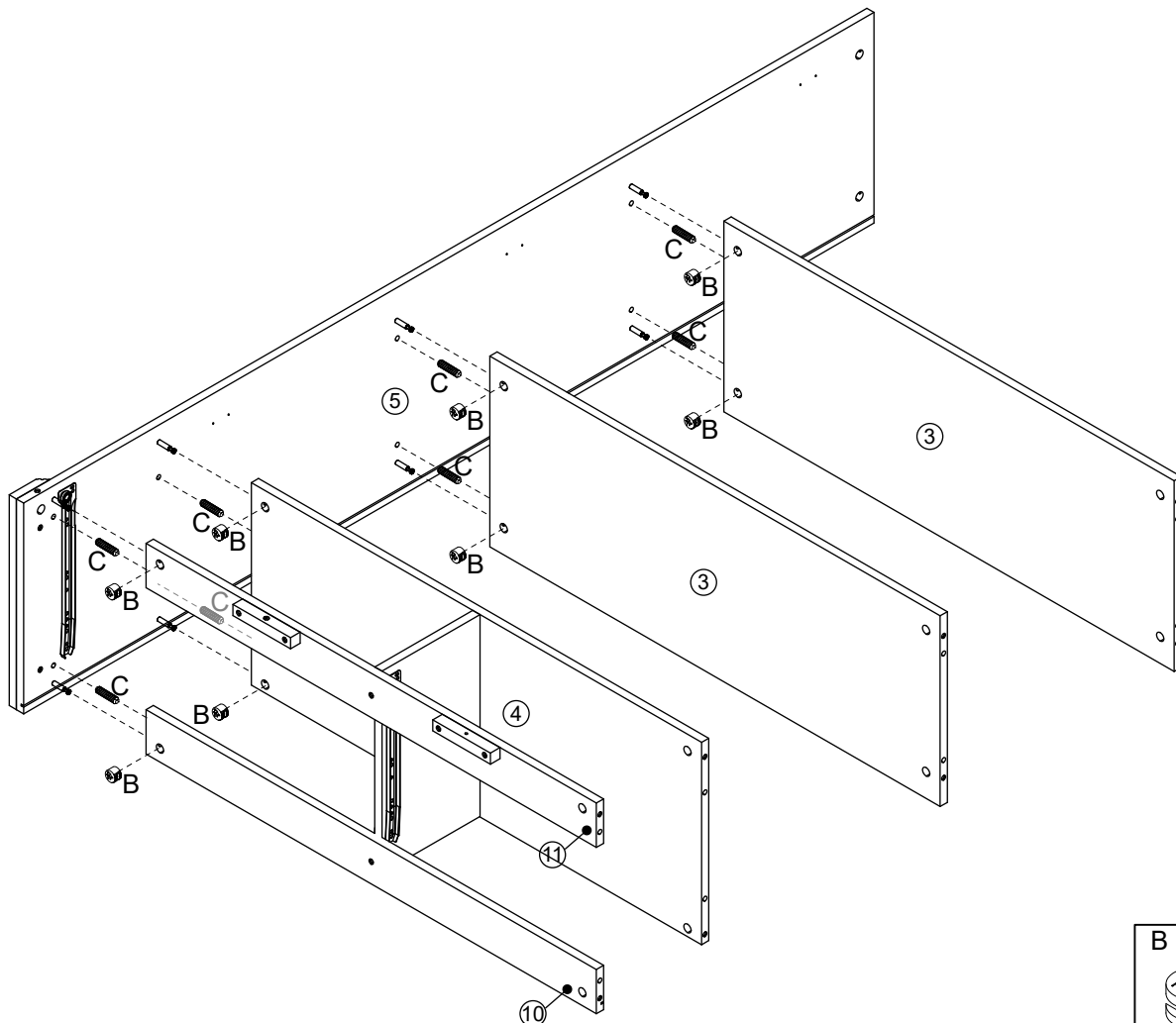
6



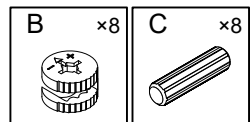
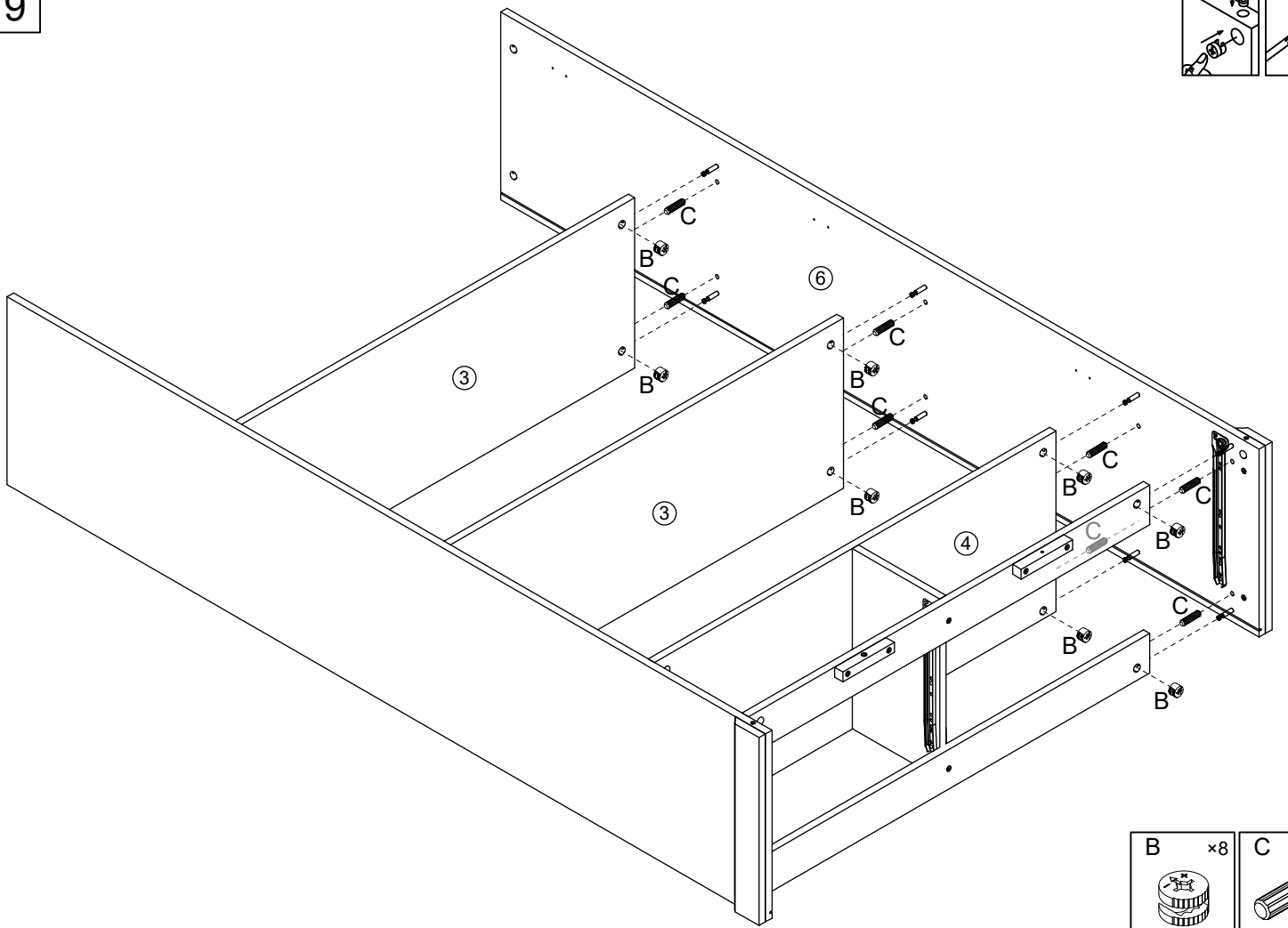
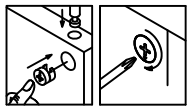
7



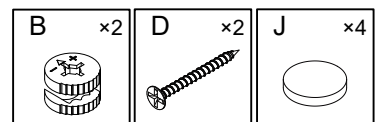
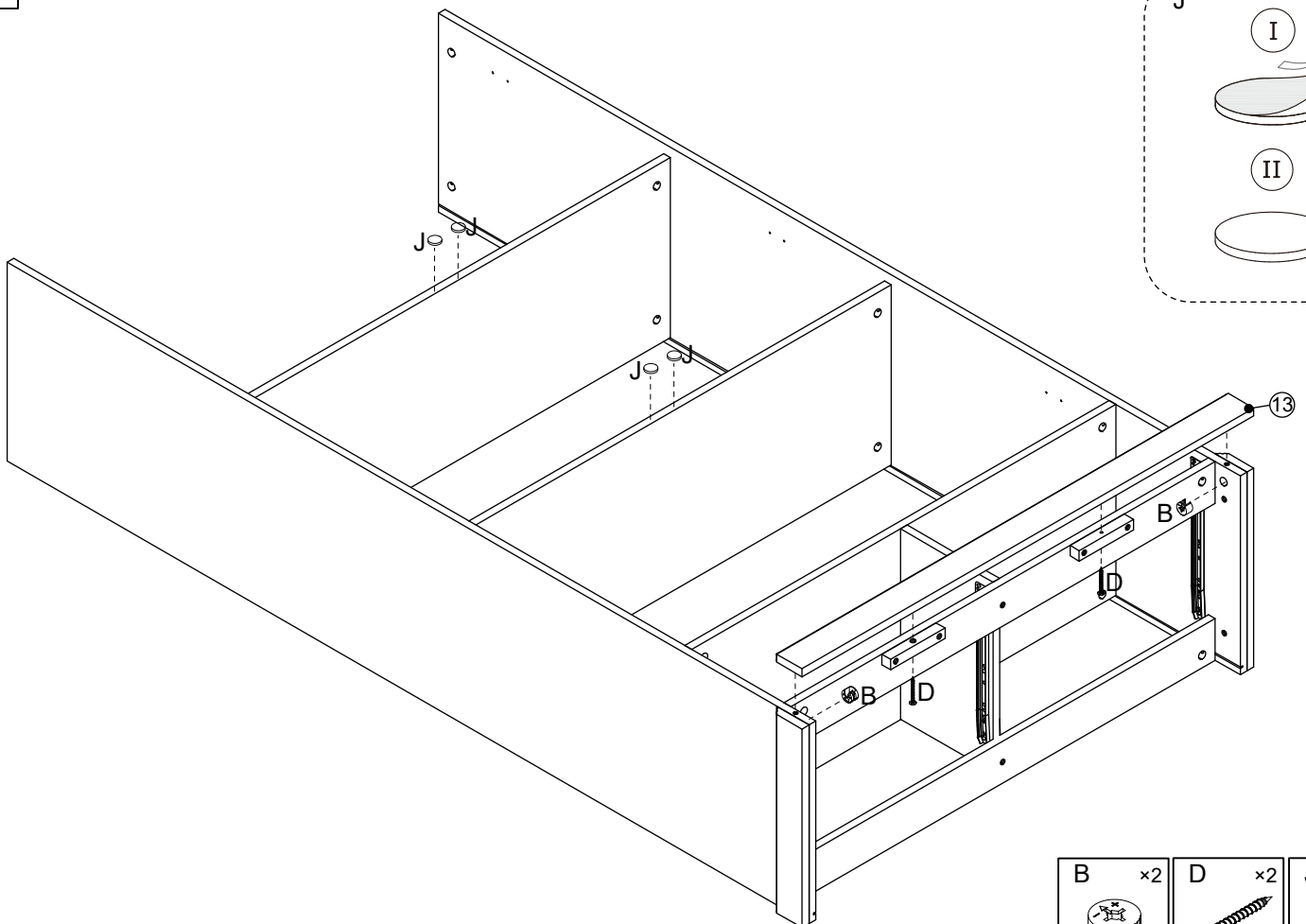
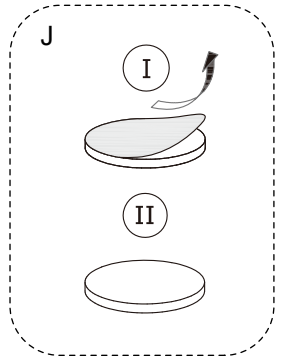
8



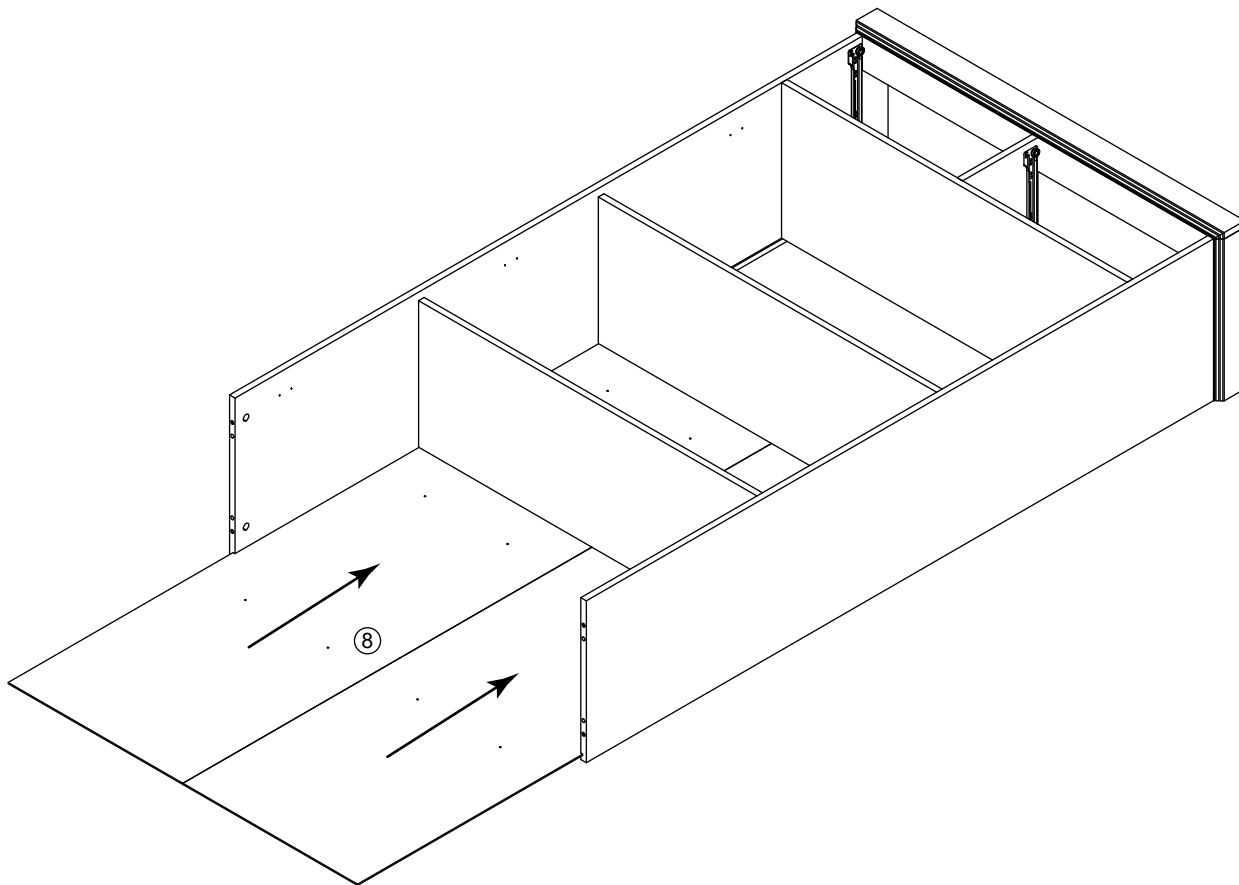
9



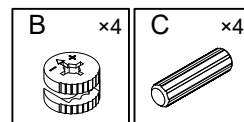
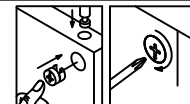
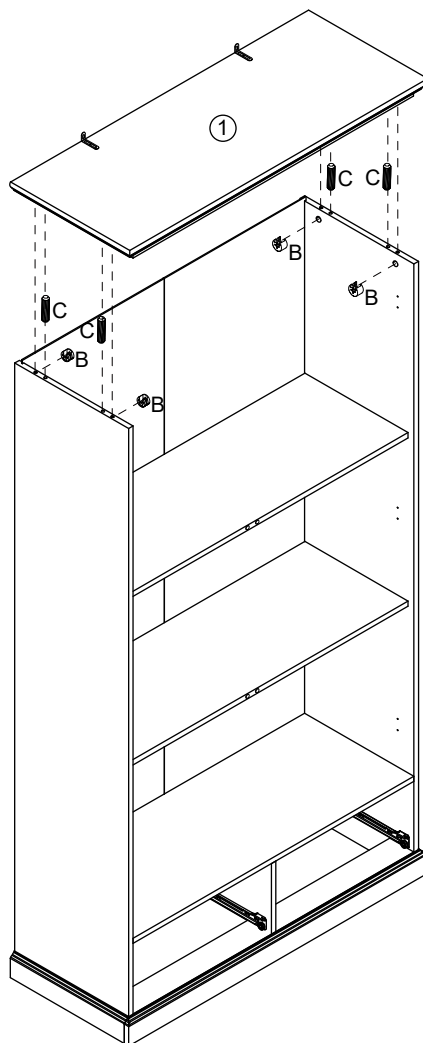
10



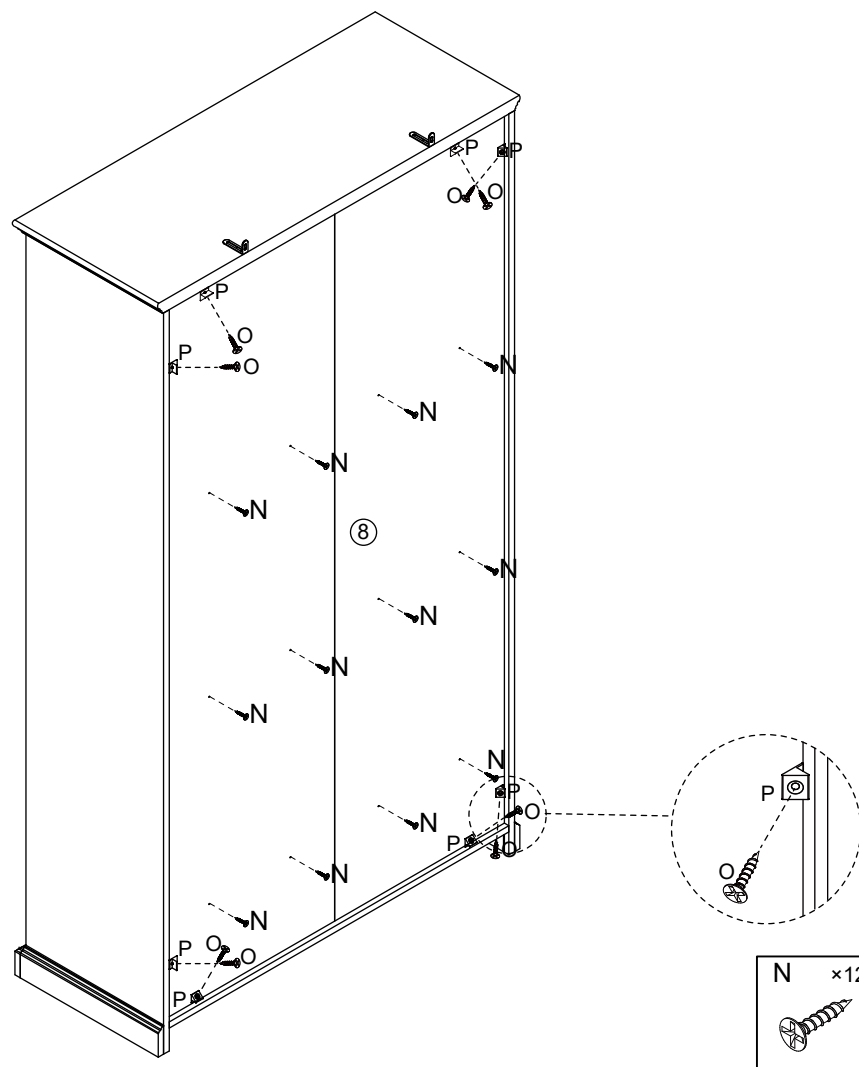
11



12

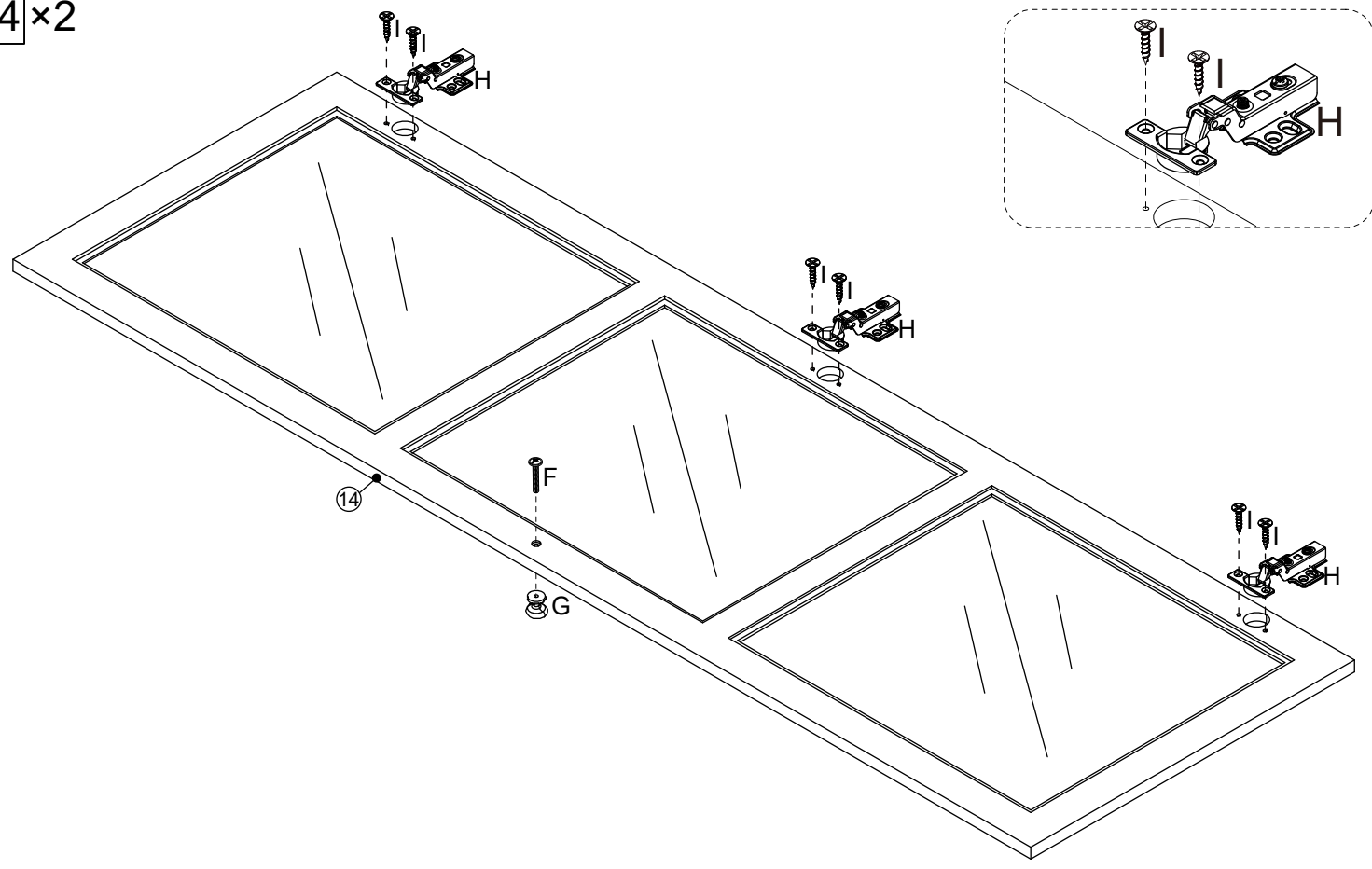


13



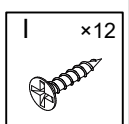
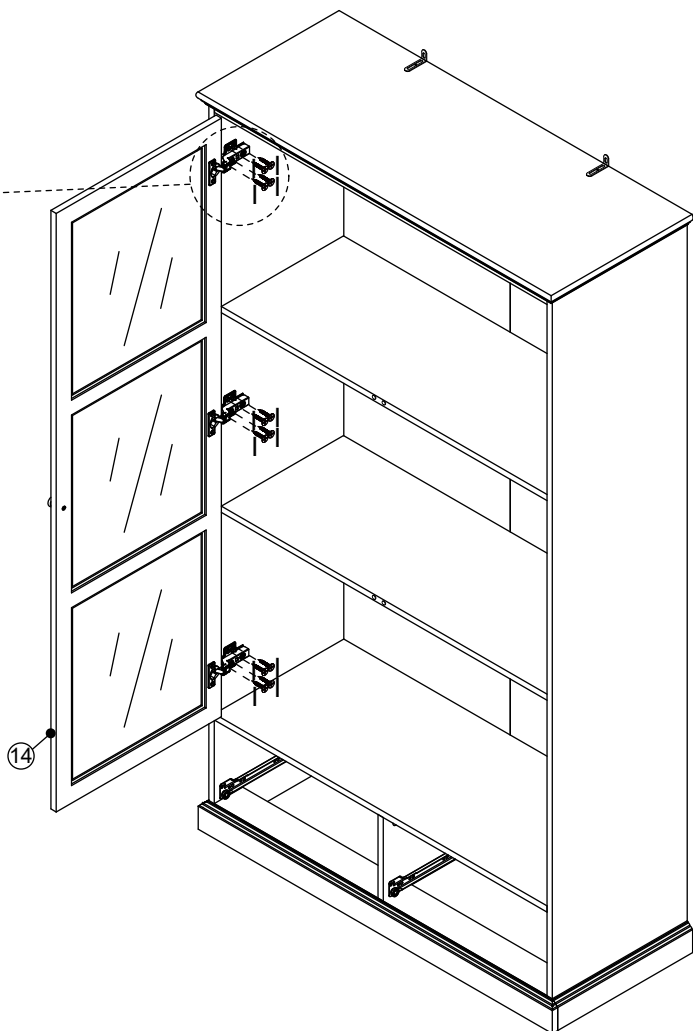
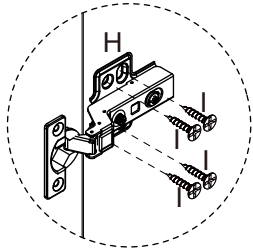
- | | | |
|-------|------|------|
| N x12 | O x8 | P x8 |
| | | |

14x2

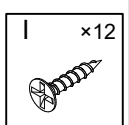
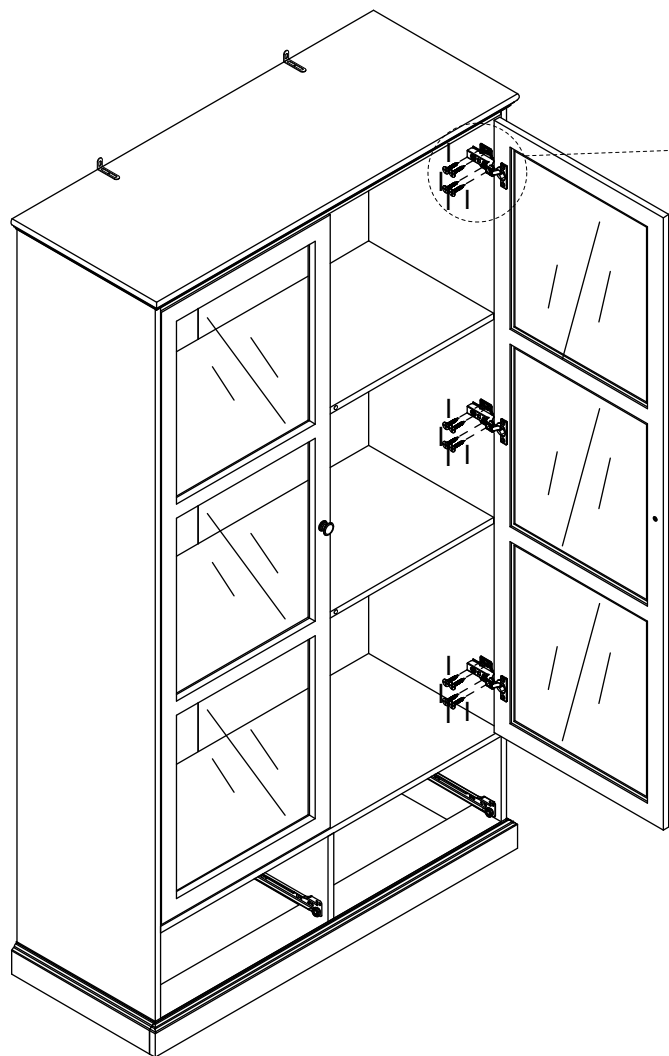
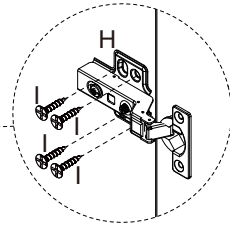


- | | | | |
|------|------|------|-------|
| F x2 | G x2 | H x6 | I x12 |
| | | | |

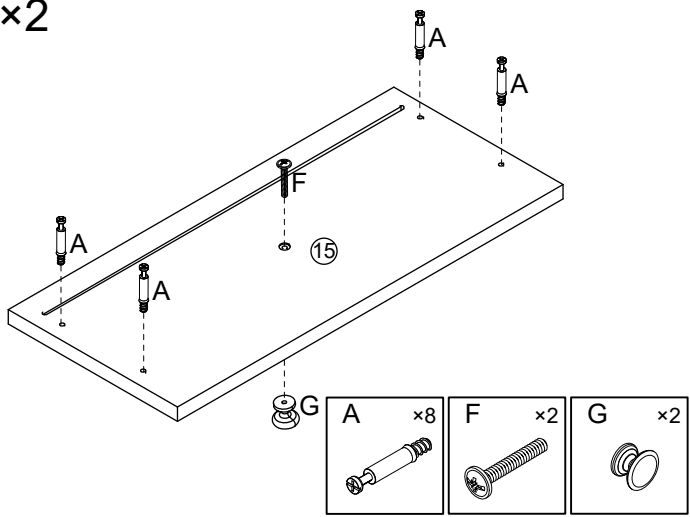
15



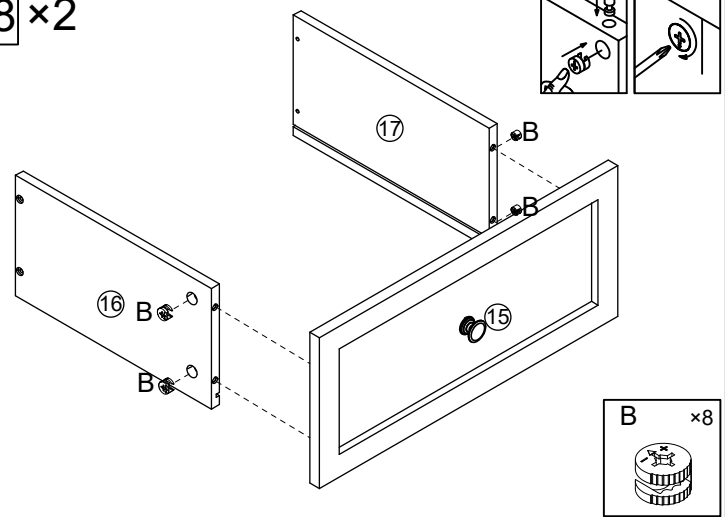
16



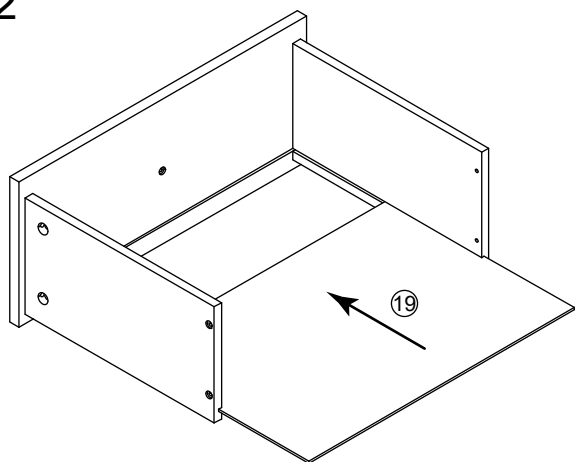
17×2



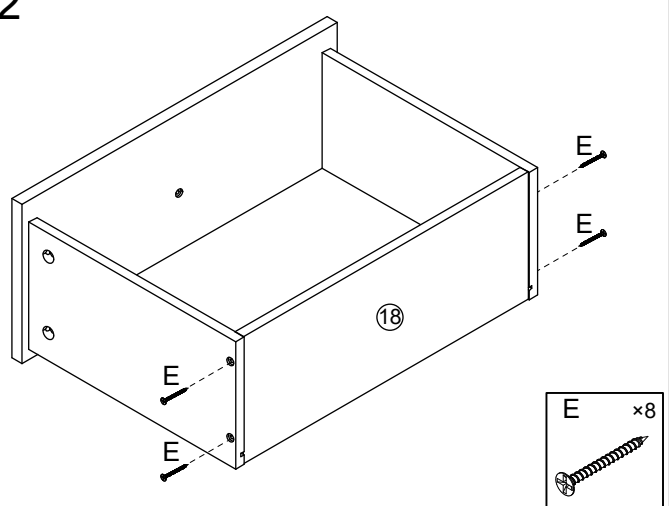
18×2



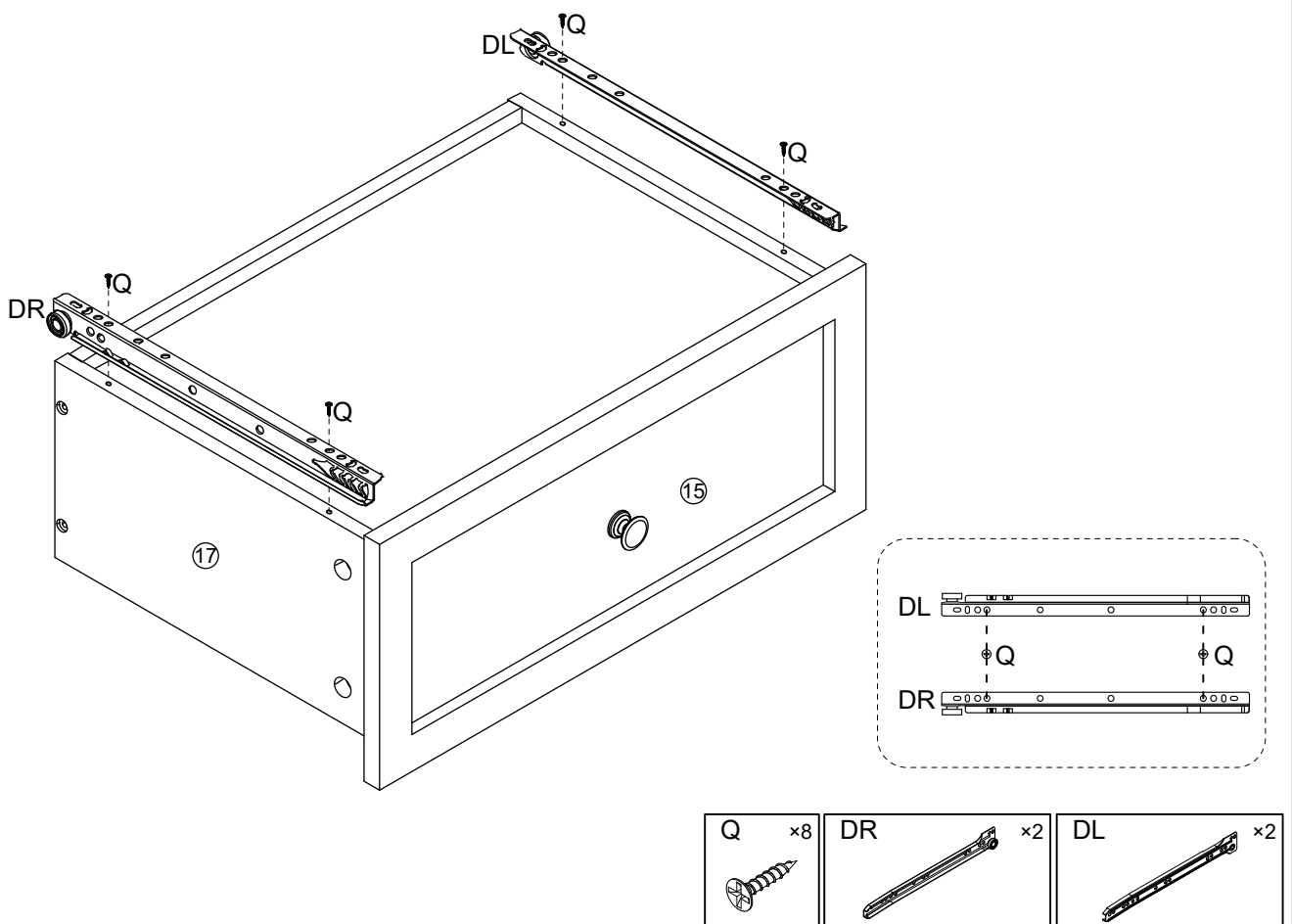
19×2



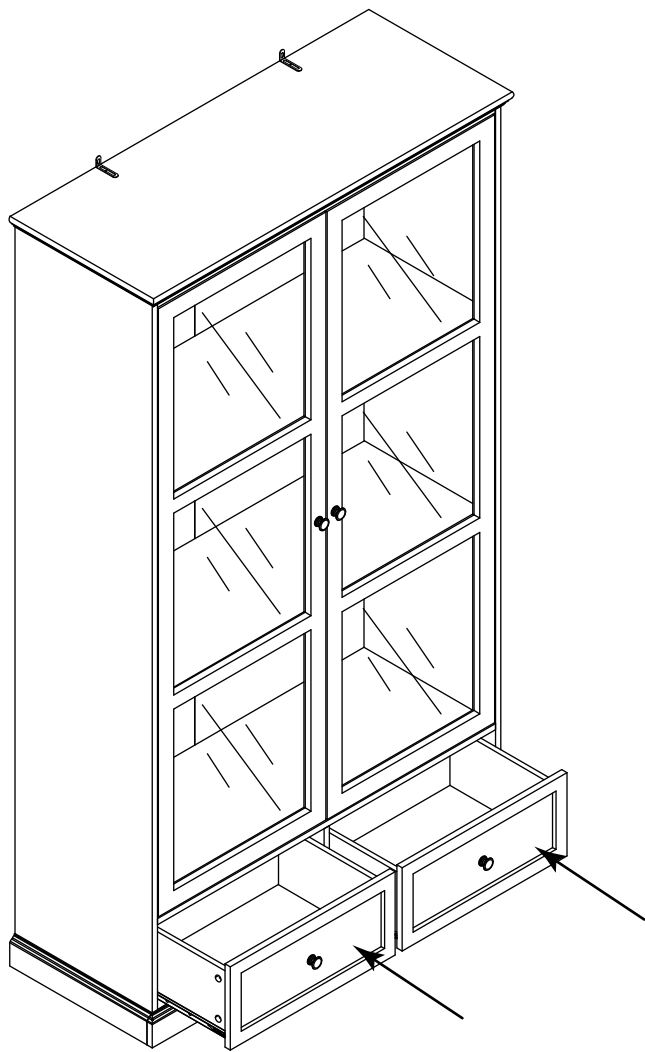
20×2



21×2



22



23

