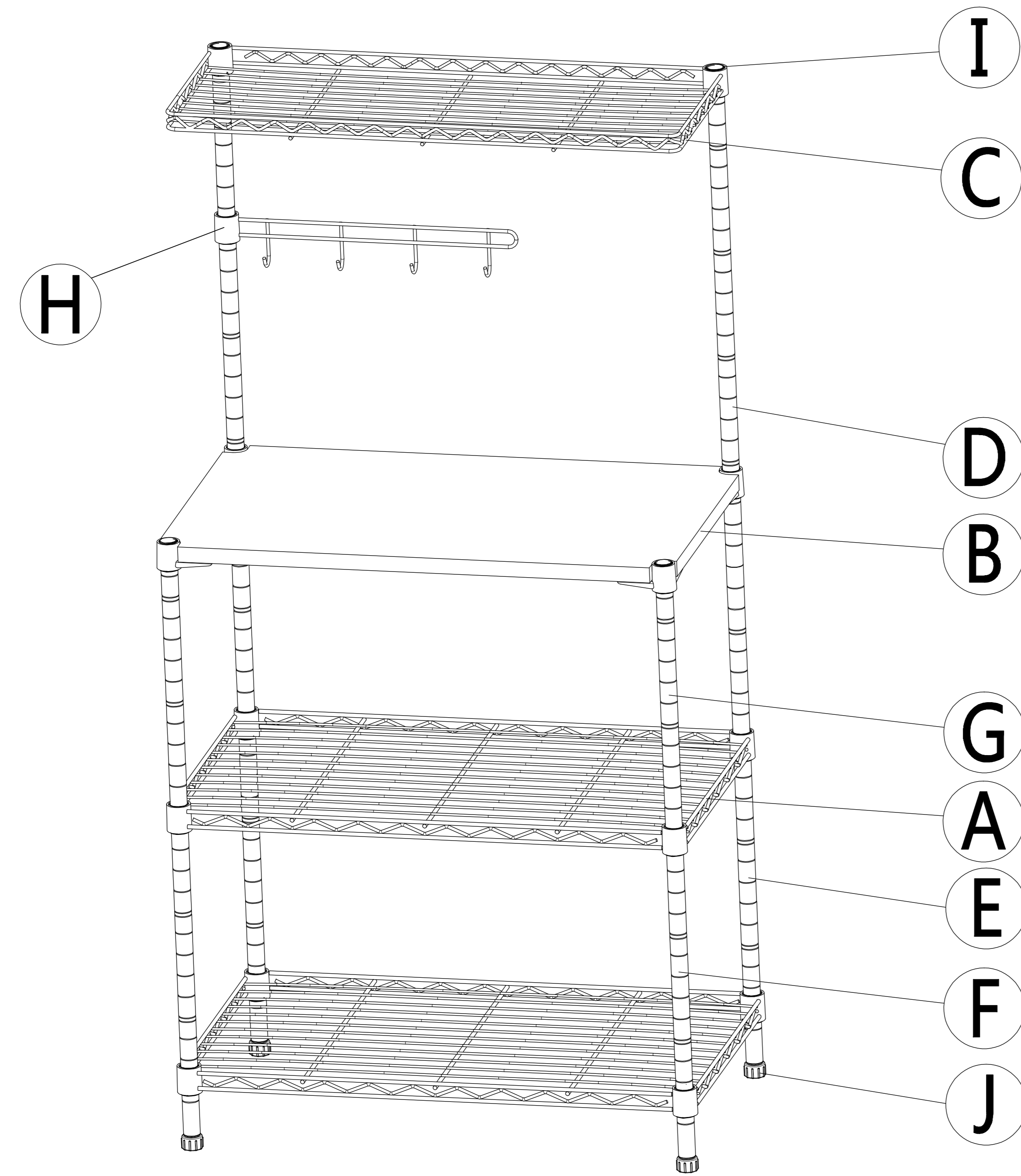


# METAL BAKERS RACK INSTRUCTION

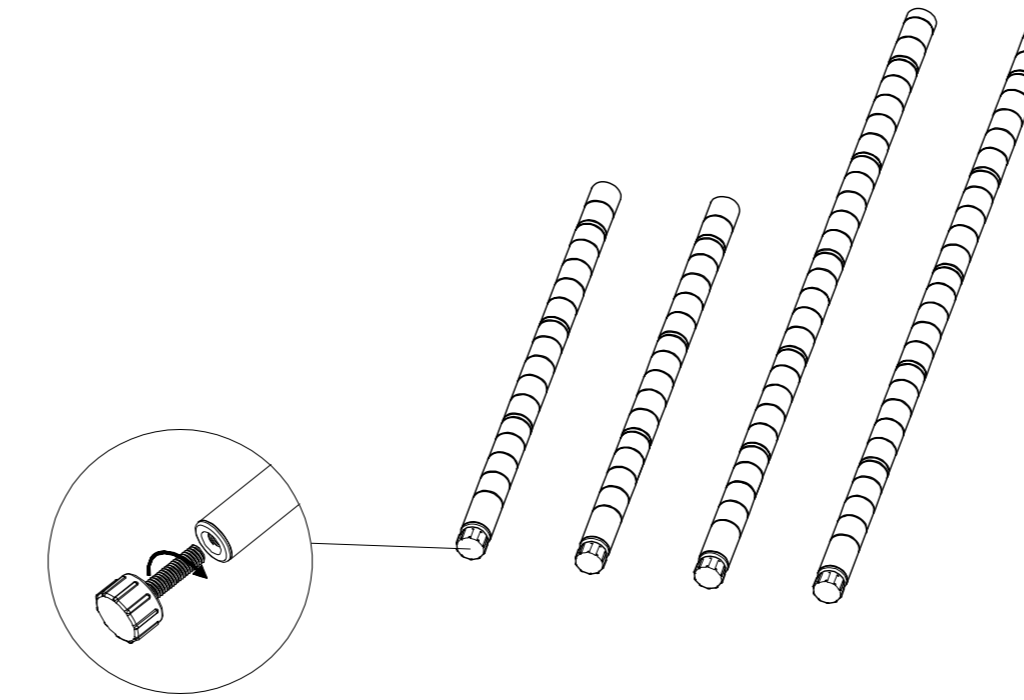
## Assembly Steps:



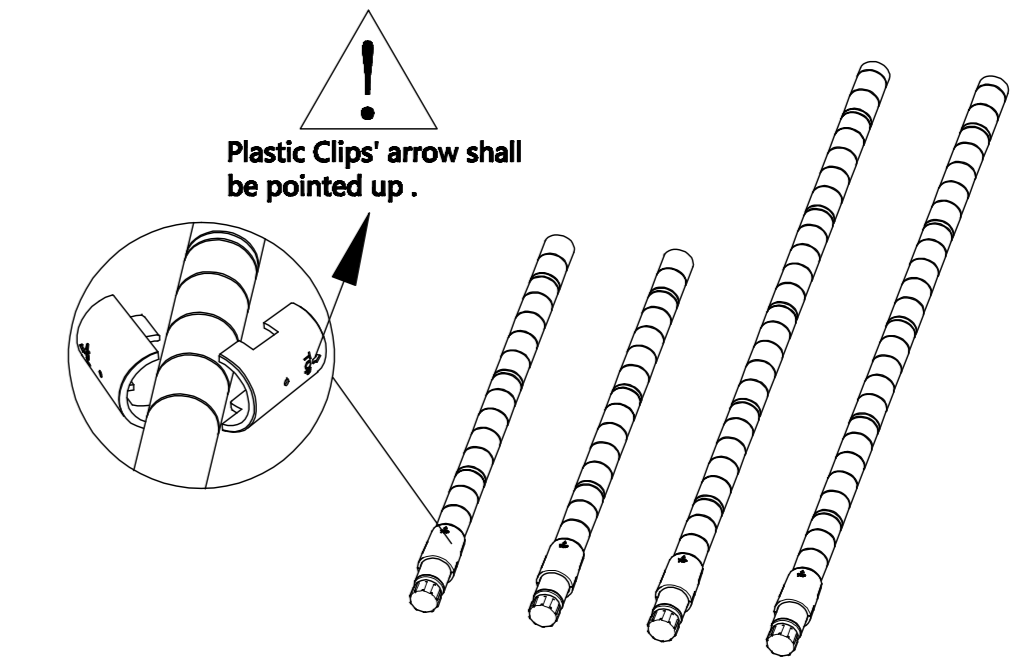
Remarks: Protective cover is just for packing during transportation, not for item. Please throw them away after you open the carton

No.	A	B	C	D	E	F	G	H	I	J	K
Name	Wire Shelf	MDF Wooden Board	Semi-Round Wire Shelf	Back up pole 590	Back down pole 590	Front down pole 440	Front up pole 260	Moveable Hanger	Plastic Clip	Leveling Foot	Protective Cover
Parts											
Quantity	2PCS	1PC	1PC	2PCS	2PCS	2PCS	2PCS	1PC	30PCS	4PCS	10PCS

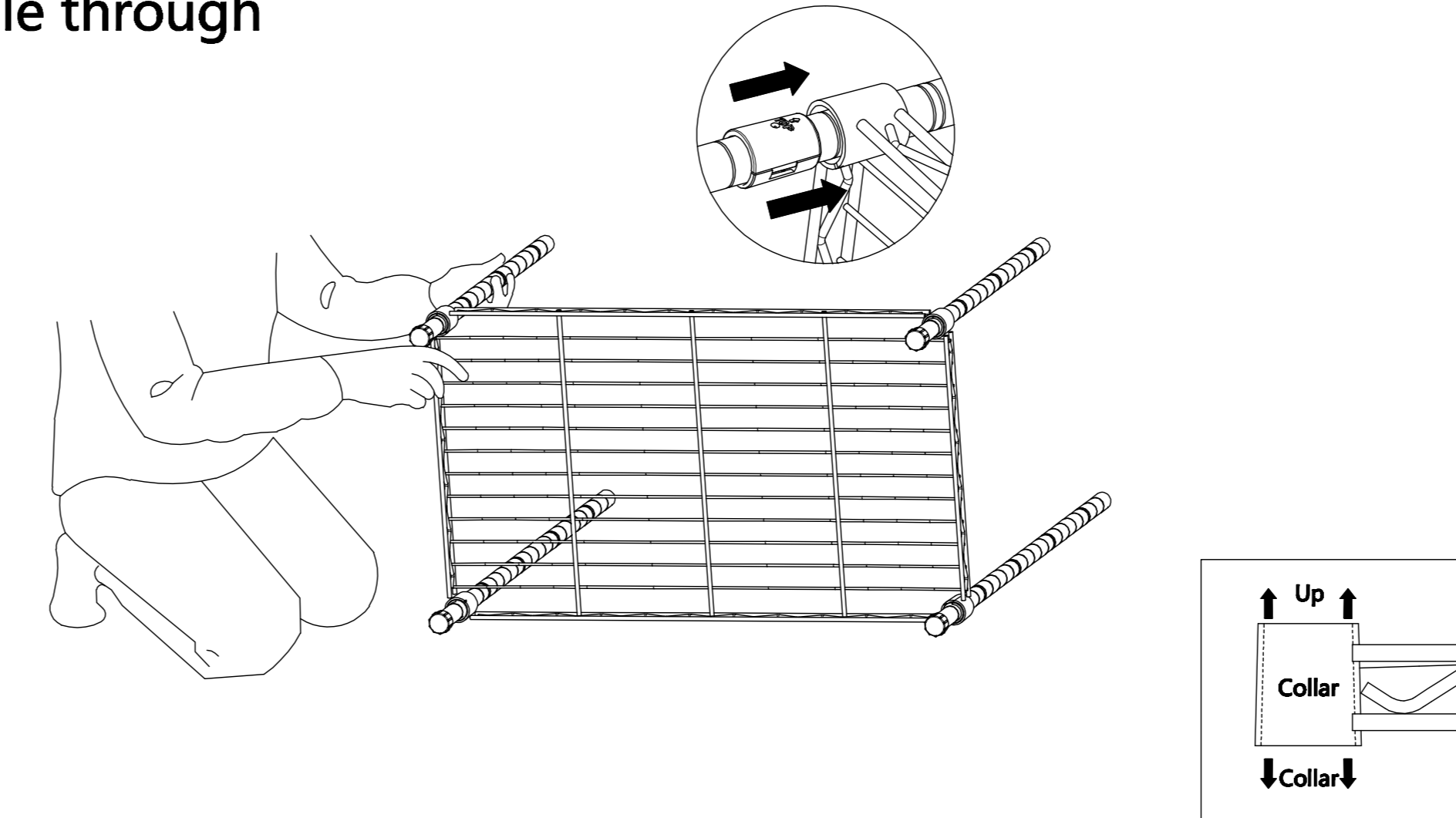
1 Screw the Leveling Foot(J) into the bottom of each down pole(E) and (F), then fasten it.



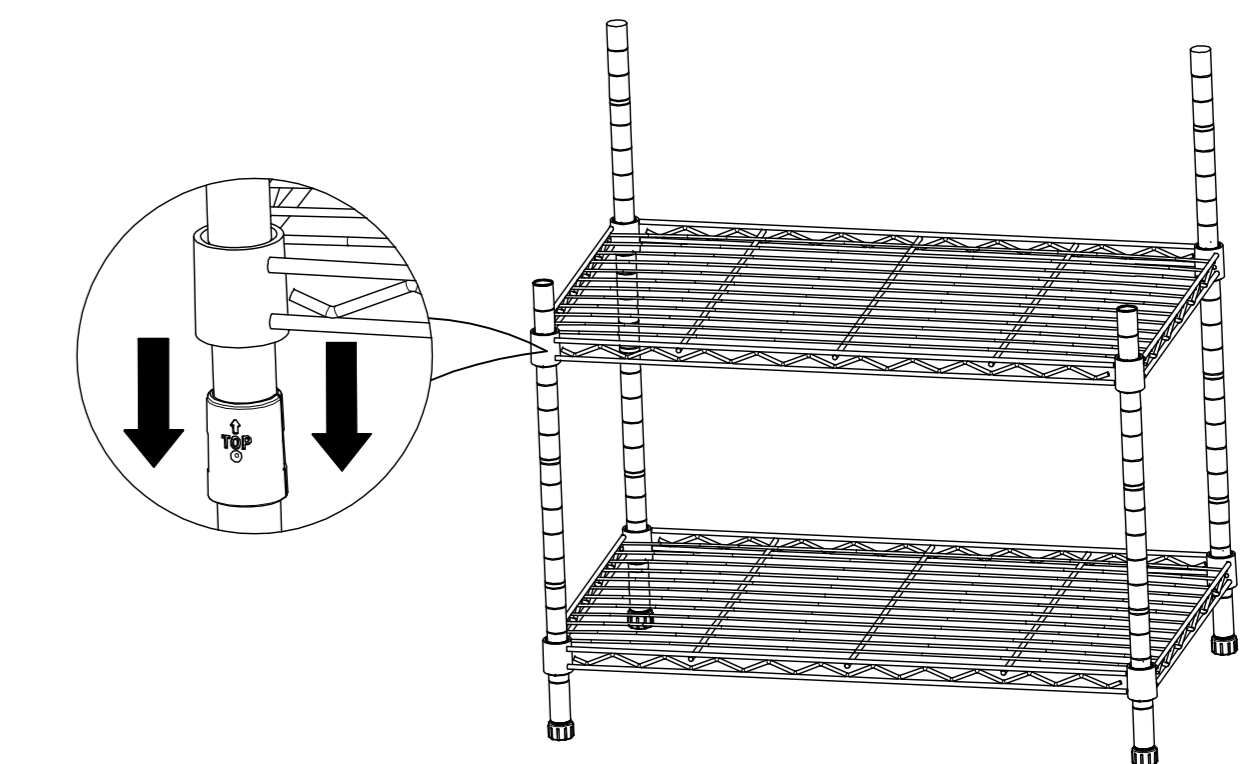
2 Snap Plastic Clips (I) onto the pole grooves of four down poles at the same position and make sure that the arrow of plastic clips are pointing up.



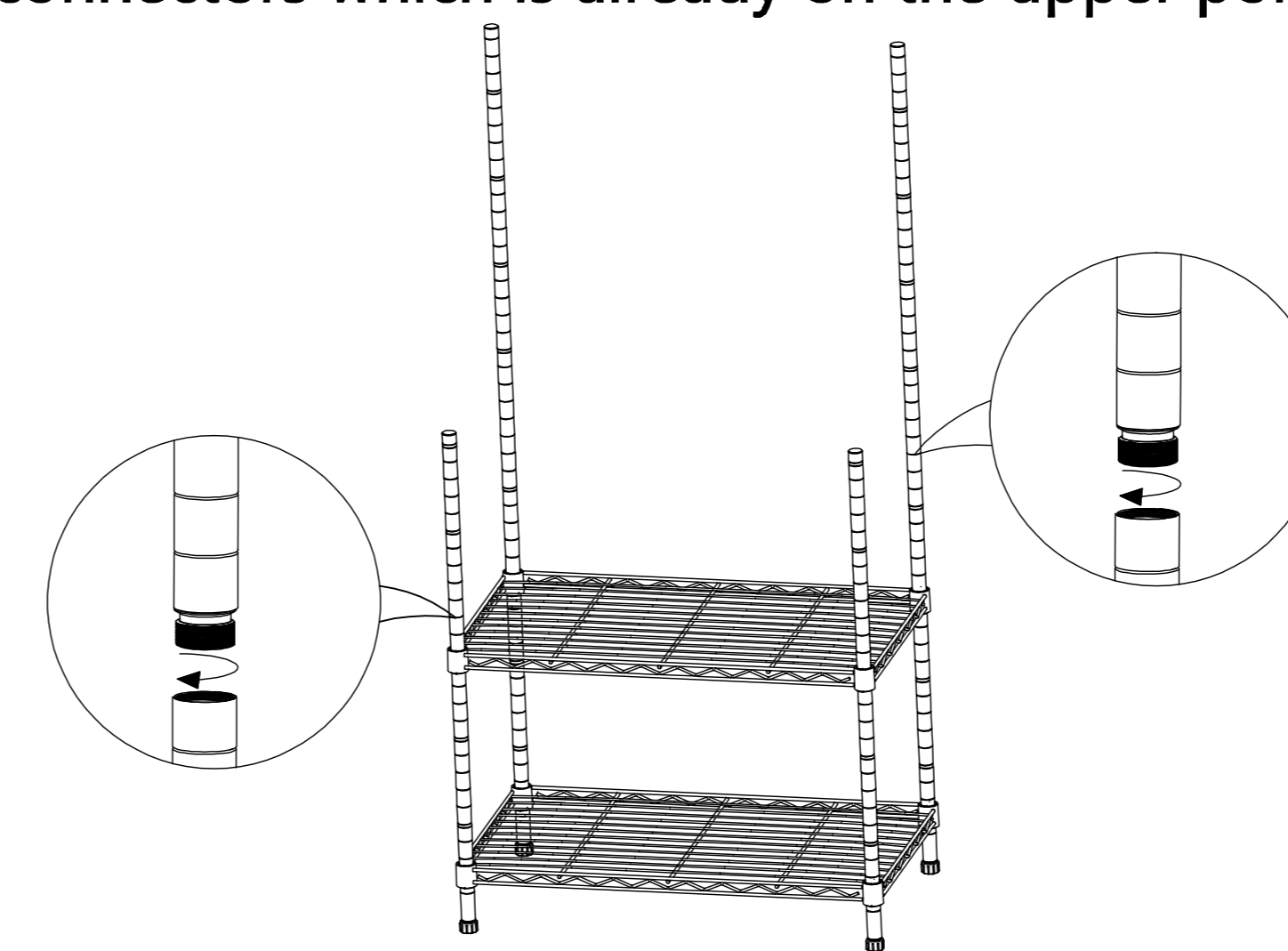
3 Please make sure that you have the wire shelf(A) the correct way up. Hold the shelf on its side and slide the top of each pole through



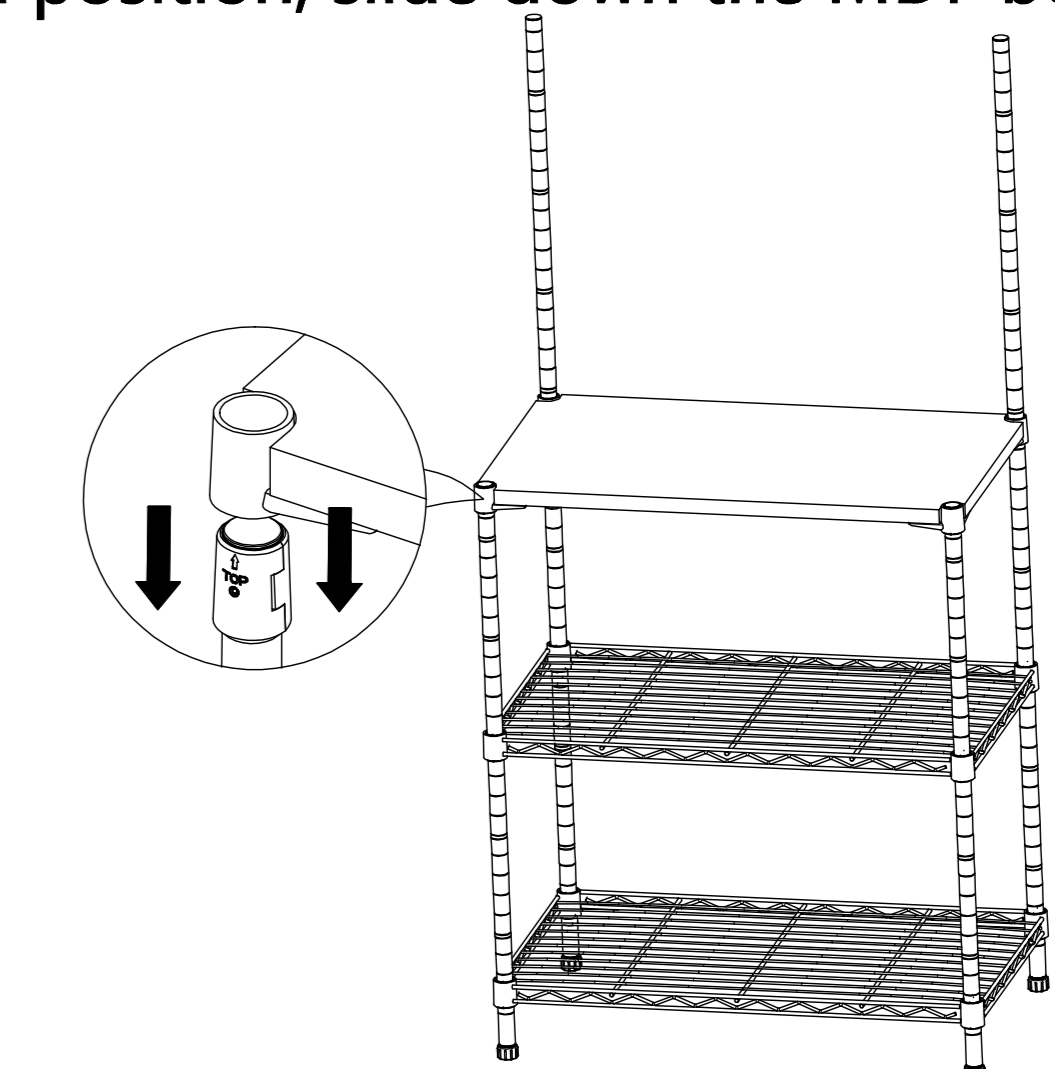
4 Snap plastic clips onto the same grooves of four poles at your desired position, slide down the wire shelf onto the plastic clips.



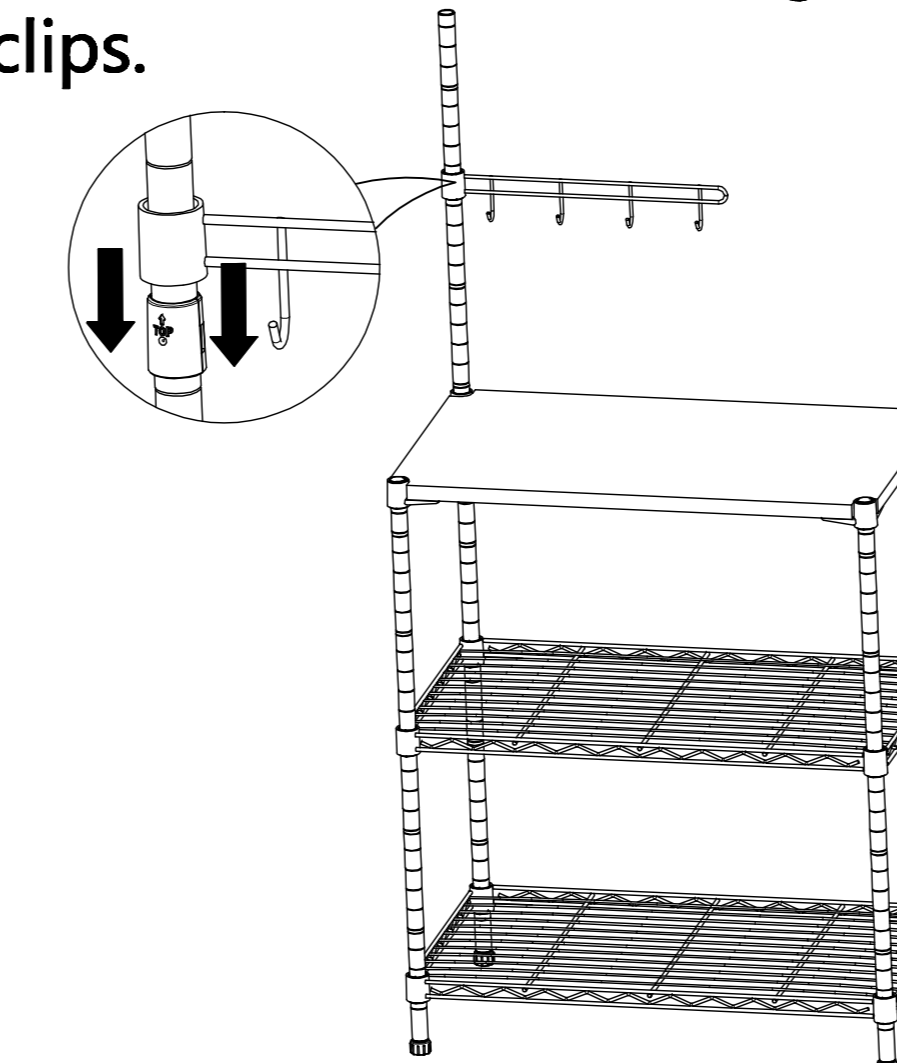
5 Screw Upper poles (D) and (G) into lower poles by screw connectors which is already on the upper poles.



6 Snap plastic clips onto the same grooves of four poles at your desired position, slide down the MDF board(B) onto the plastic clips.



7 Snap plastic clips onto the grooves of up-poles as your desired position, slide down the moveable hanger Moveable Hanger(H) on the plastic clips.



8 Snap plastic clips onto the top of up-poles, slide down the Semi-Round Wire Shelf(C) onto the plastic clips.

