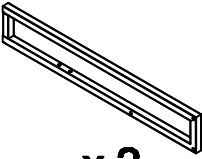
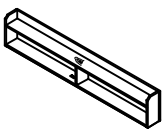
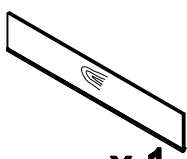
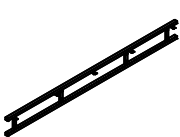
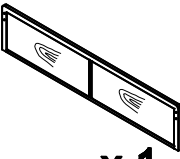
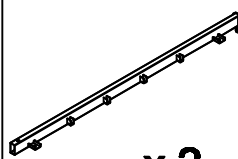
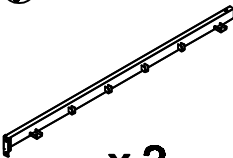
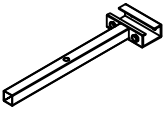

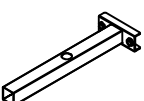

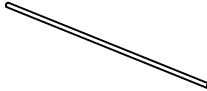
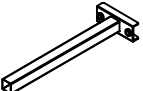
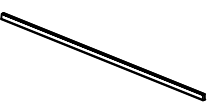
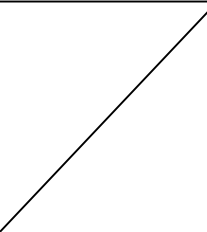
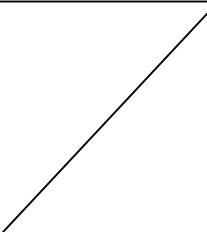
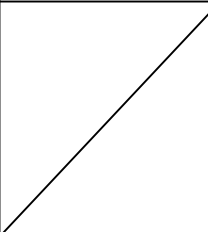
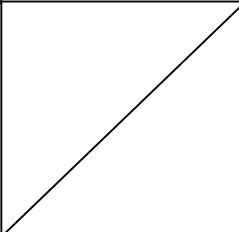
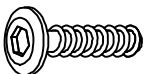
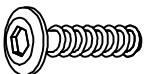





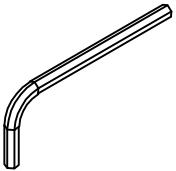

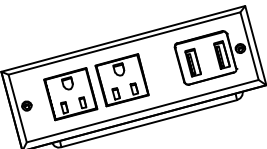
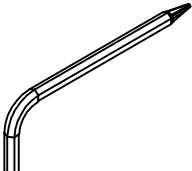
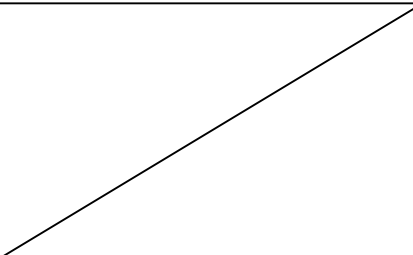


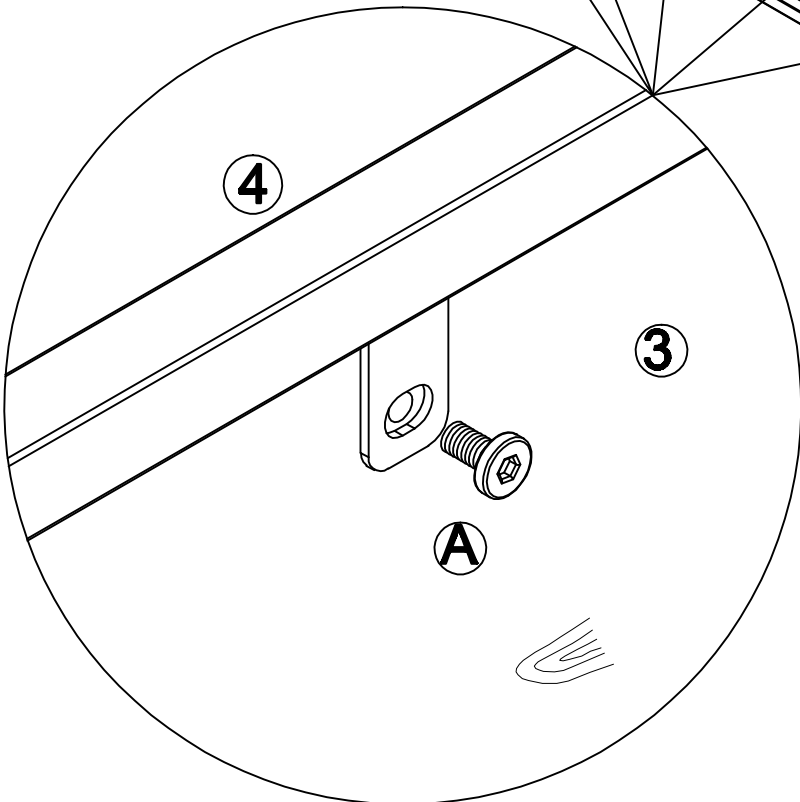
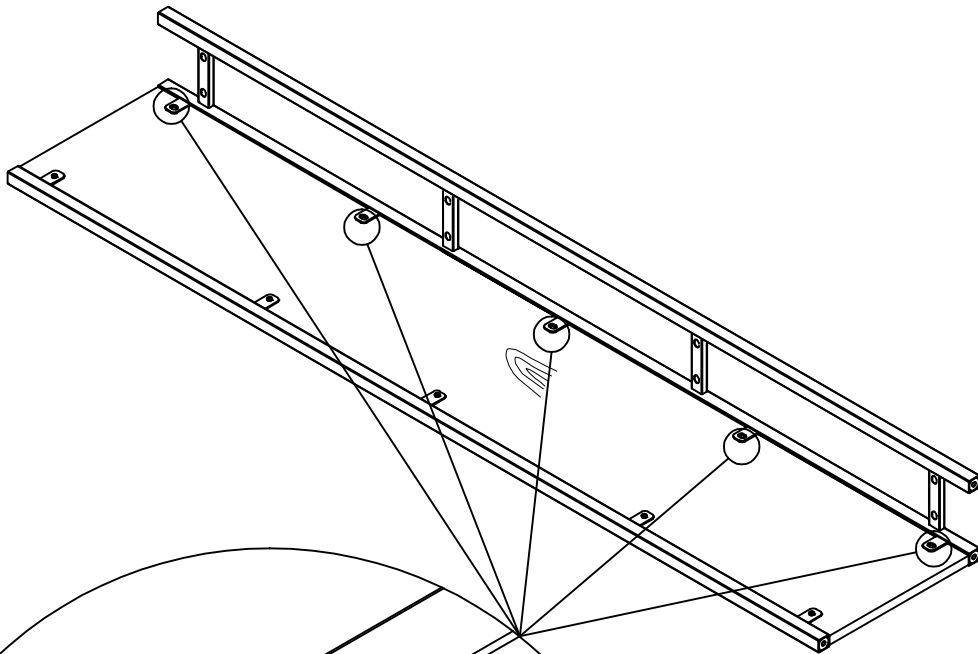


**Please don't tighten the screws completely
and go back later for a final tightening of all the
screws after pieces are aligned with each other.**



<p>①</p>  <p>x 2</p>	<p>Headboard</p>  <p>x 1</p>	<p>③</p>  <p>x 1</p>	<p>④</p>  <p>x 1</p>	<p>⑤</p>  <p>x 1</p>	<p>⑥</p>  <p>x 2</p>
<p>⑦</p>  <p>x 2</p>	<p>⑧</p>  <p>x 2</p>	<p>⑨</p>  <p>x 4</p>	<p>⑩</p>  <p>x 2</p>	<p>⑪</p>  <p>x 4</p>	<p>⑫</p>  <p>x 1</p>
<p>⑬</p>  <p>x 4</p>	<p>⑭</p>  <p>x 8</p>				
<p>Ⓐ</p>  <p>M6 x 12 mm x5</p>		<p>Ⓑ</p>  <p>M6 x 18 mm x8</p>		<p>Ⓒ</p>  <p>M6 x 25 mm x8</p>	
<p>Ⓓ</p>  <p>M6 x 30 mm x2</p>		<p>Ⓔ</p>  <p>M6 x 35 mm x18</p>		<p>Ⓕ</p>  <p>M6 x 50 mm x8</p>	
<p>Ⓖ</p>  <p>M8 x 35 mm x8</p>		<p>Ⓗ</p>  <p>4 # x1</p>		<p>Ⓖ</p>  <p>Ø3x10mm x2</p>	
<p>Ⓙ</p>  <p>x 1</p>		<p>Ⓚ</p>  <p>4 # x1</p>			

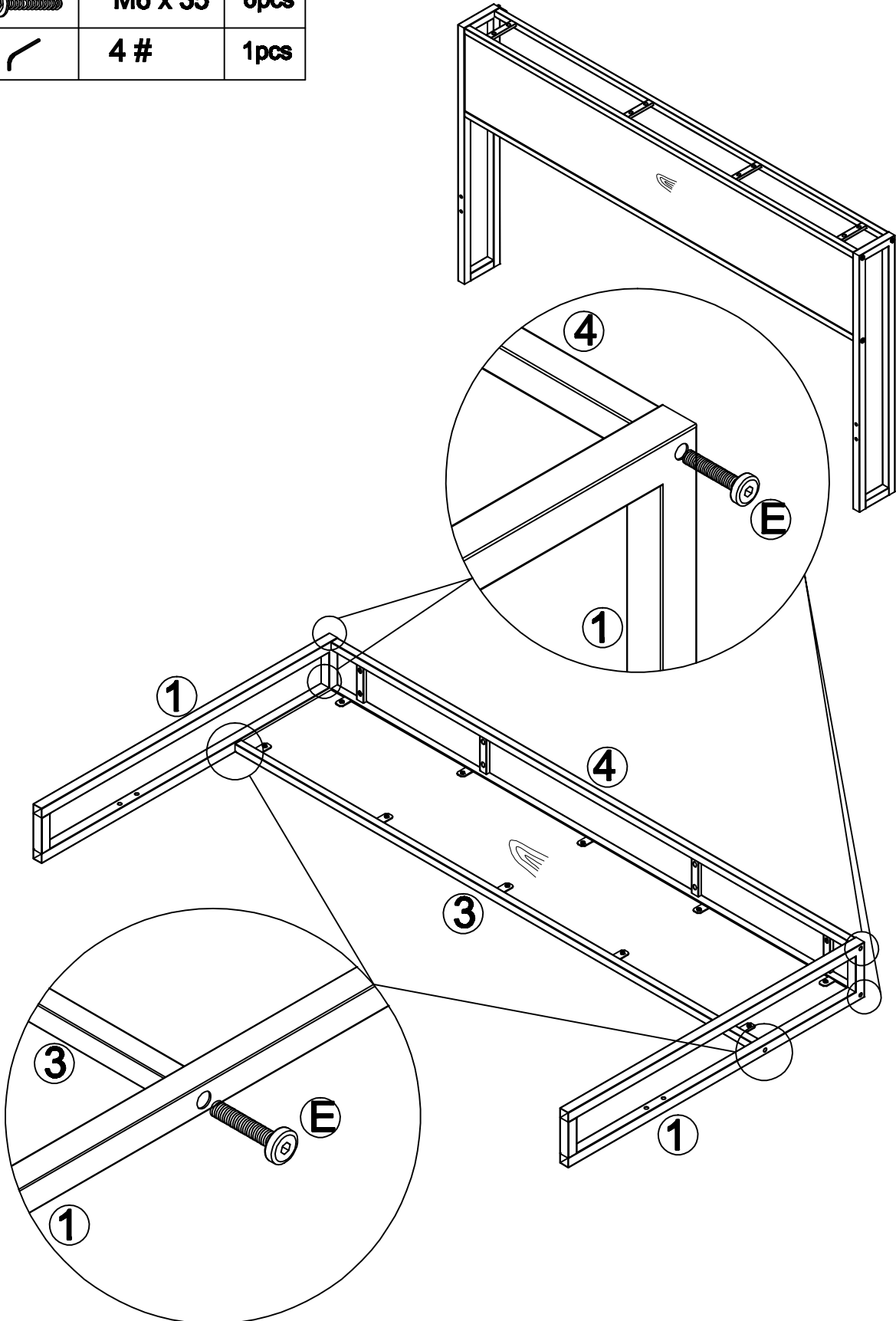
Step 1

A		M6 x 12	5pcs
H		4 #	1pcs





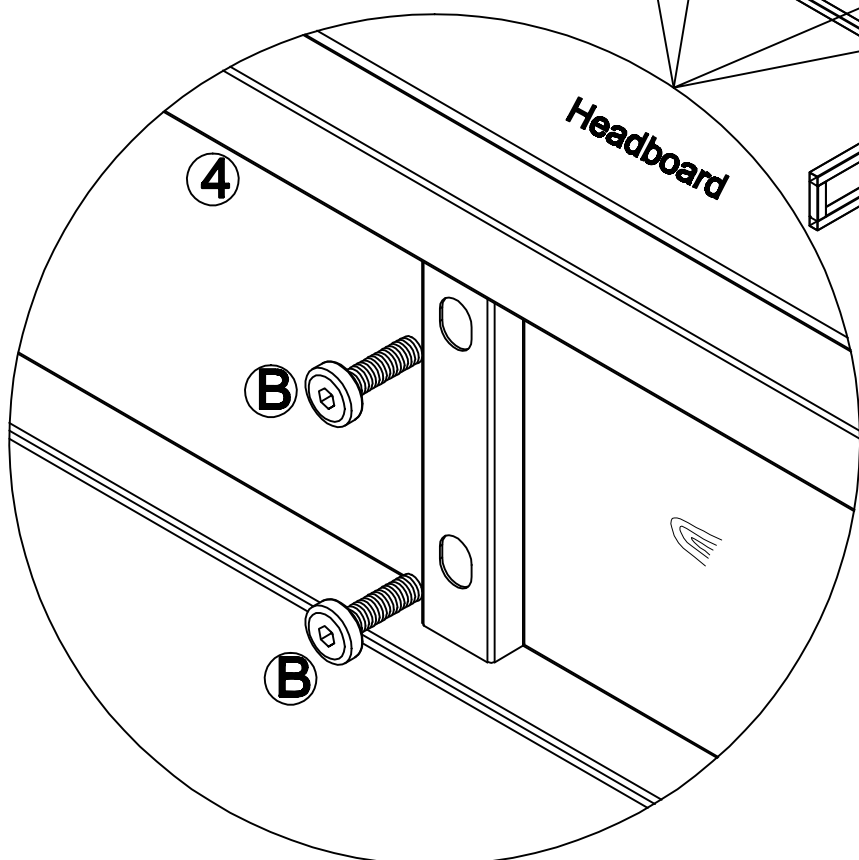
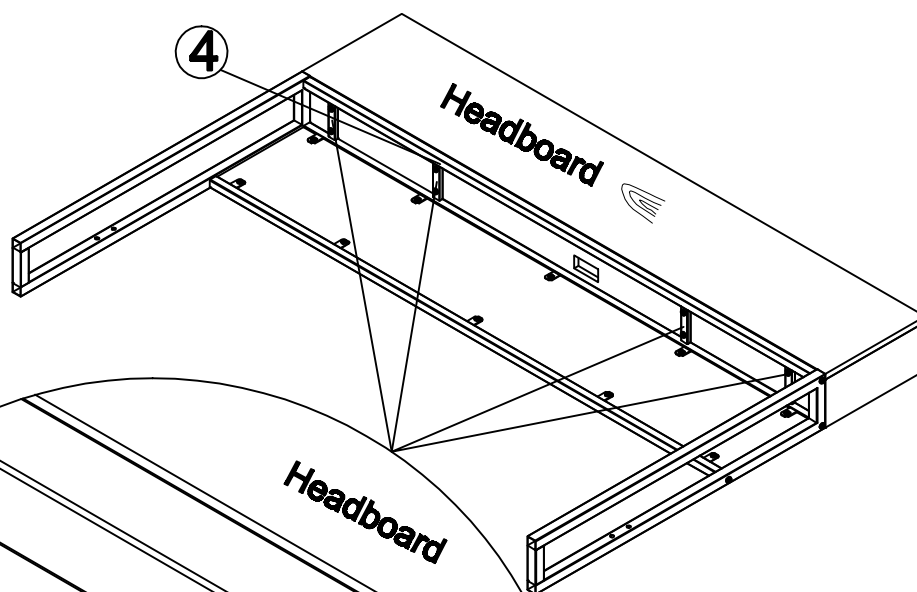
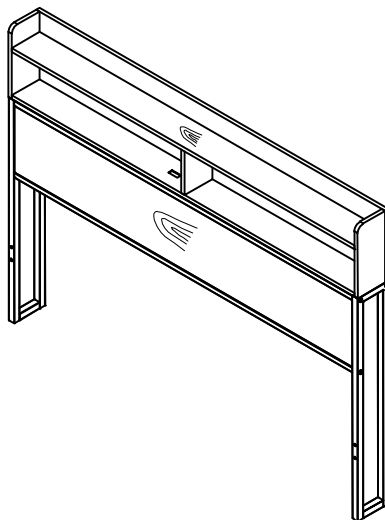
Step 2

E		M6 x 35	6pcs
H		4 #	1pcs






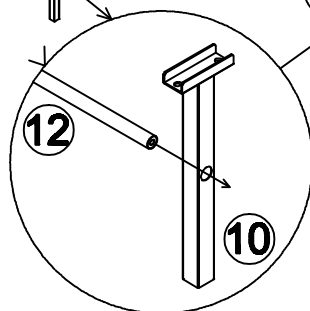
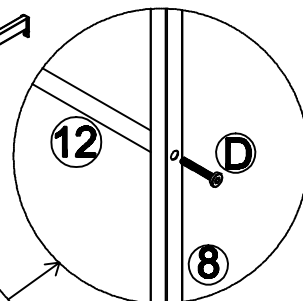
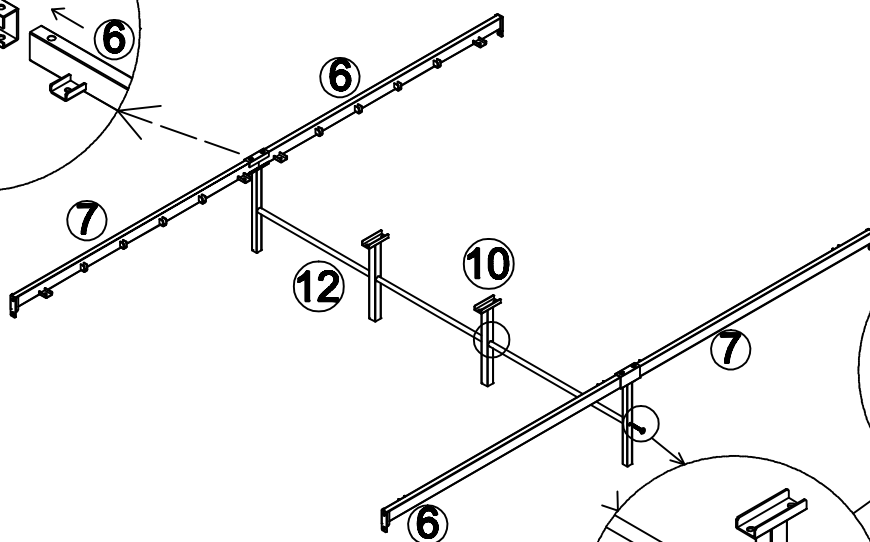
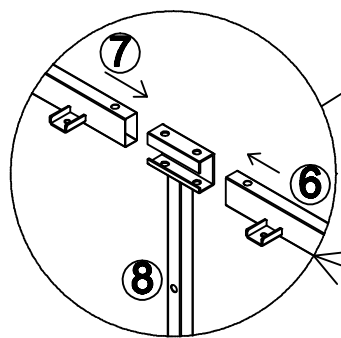
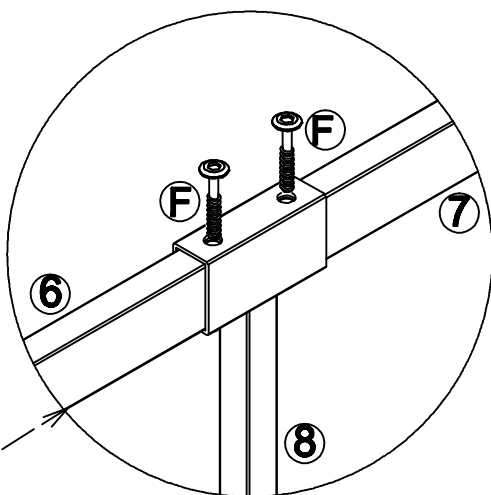
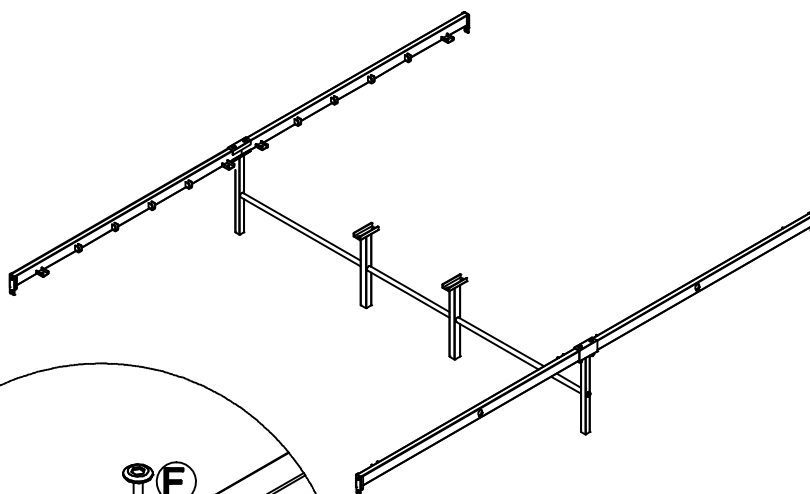
Step 3

B		M6 x 18	8pcs
H		4 #	1pcs





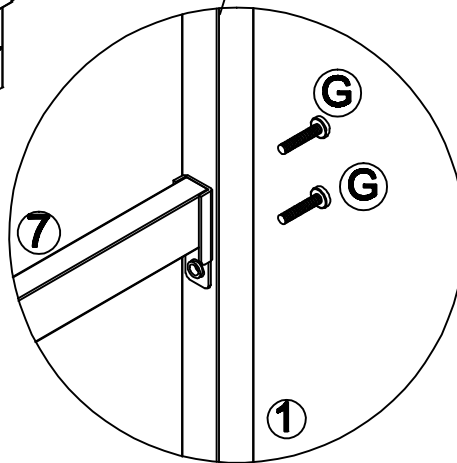
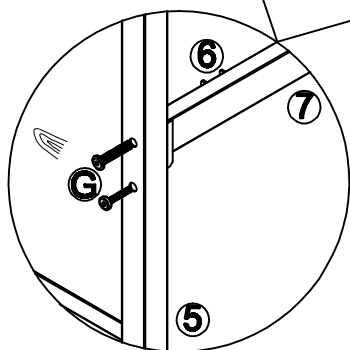
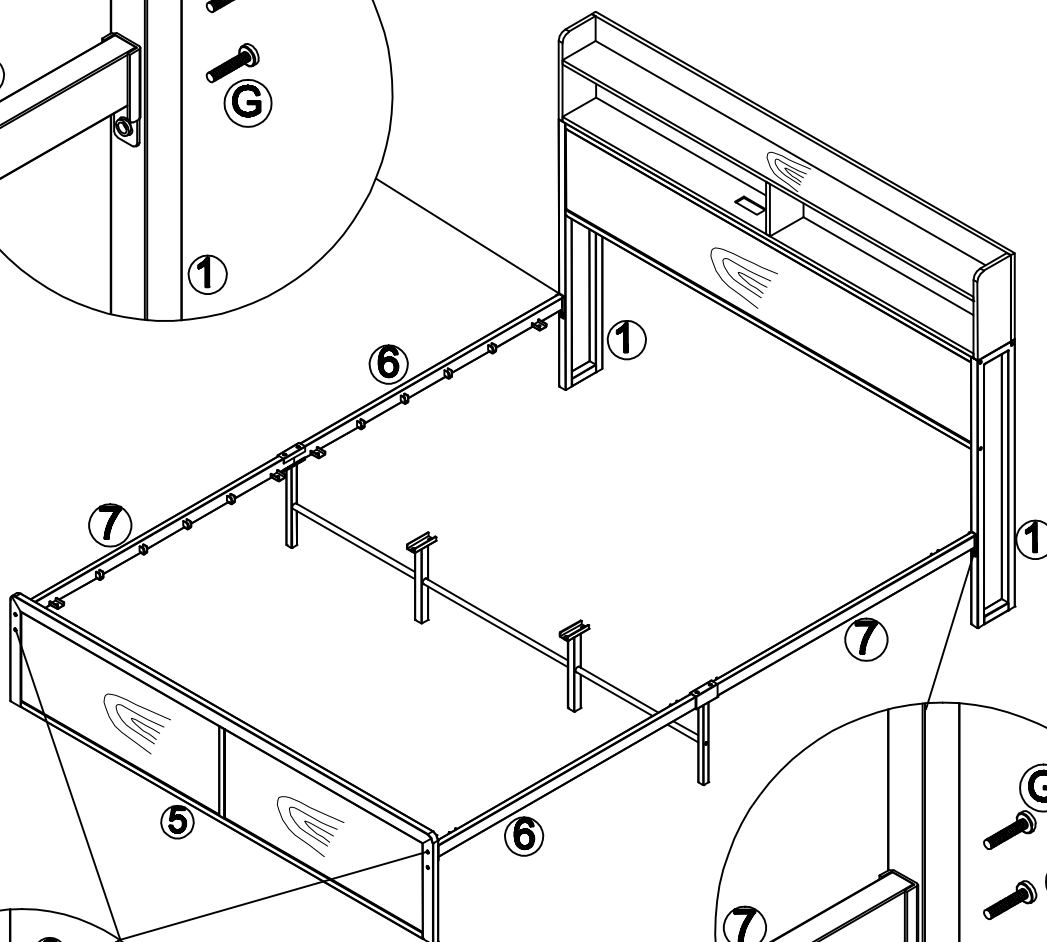
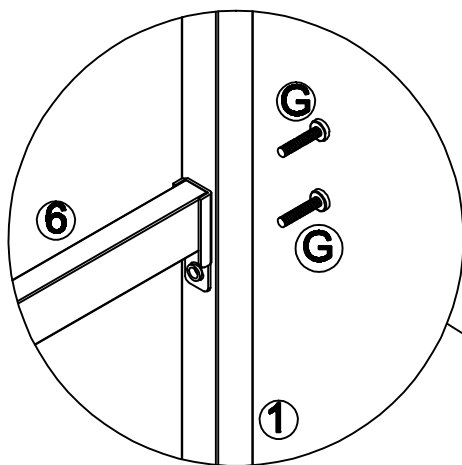
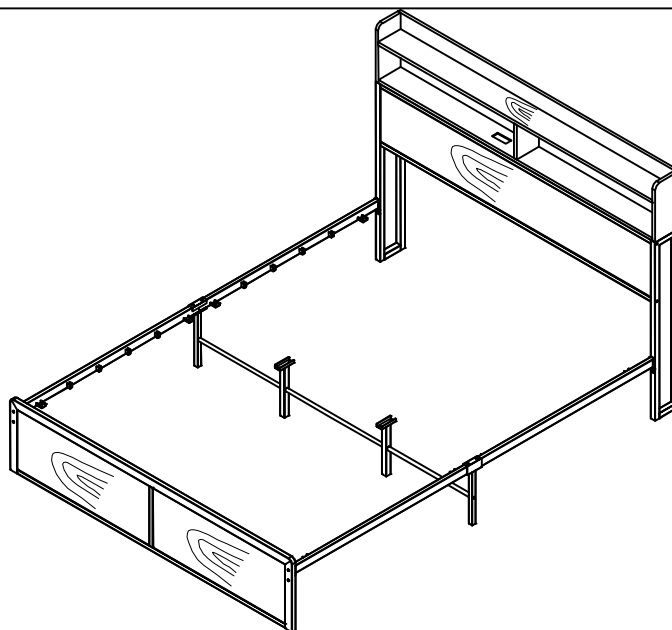
Step 4

D		M6 x 30	2pcs
F		M6 x 50	4pcs
H		4#	1pcs





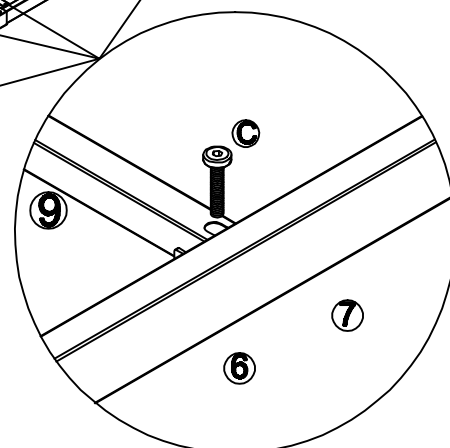
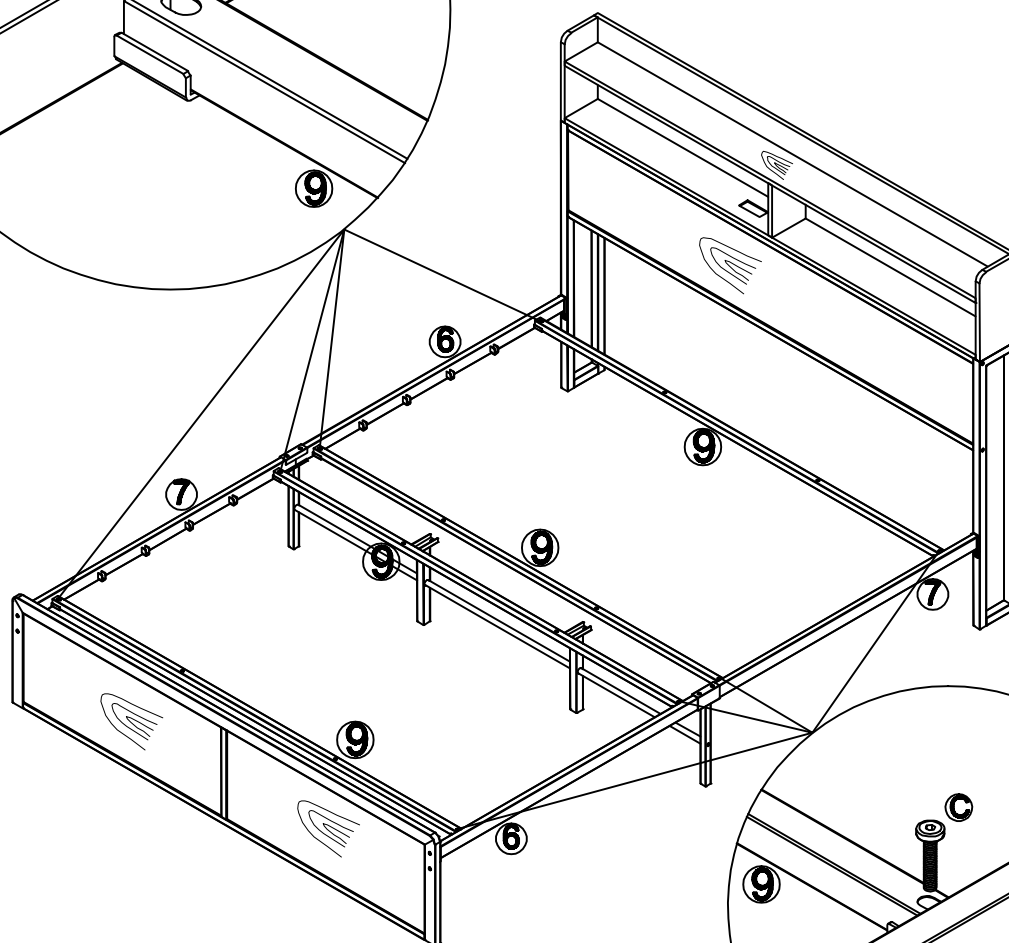
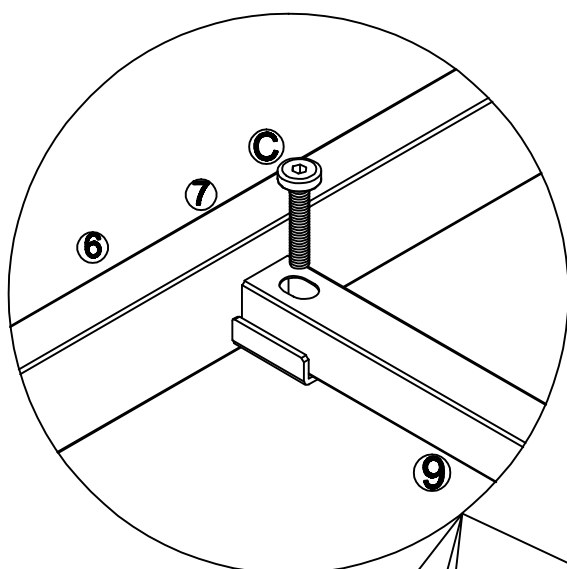
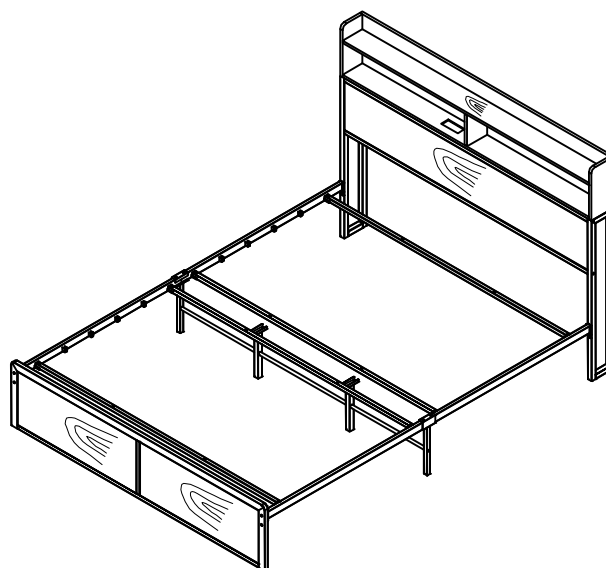
Step 5

G		M8 x 35	8pcs
H		4#	1pcs

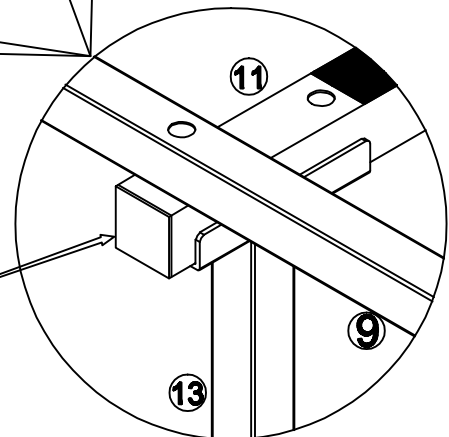
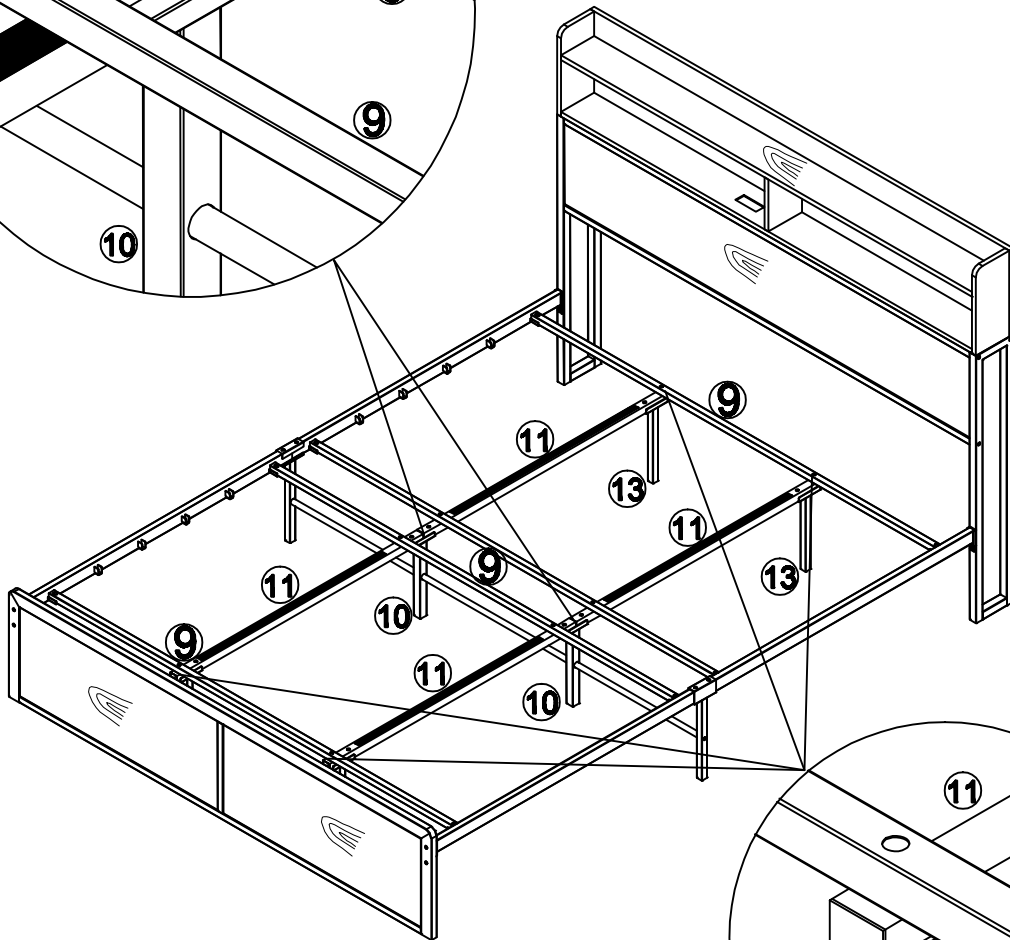
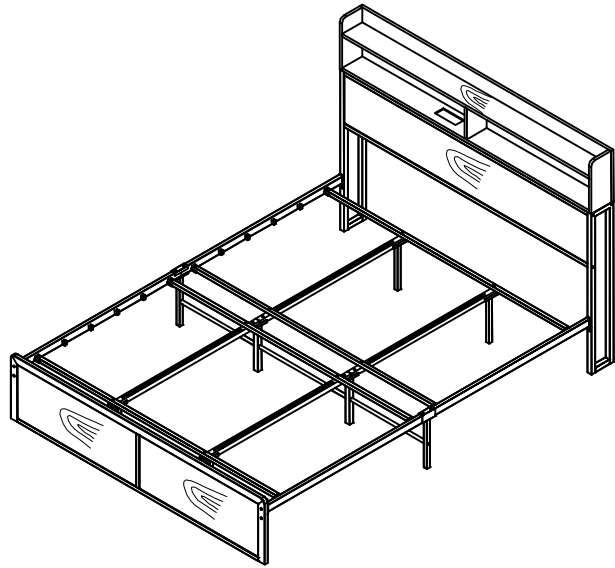
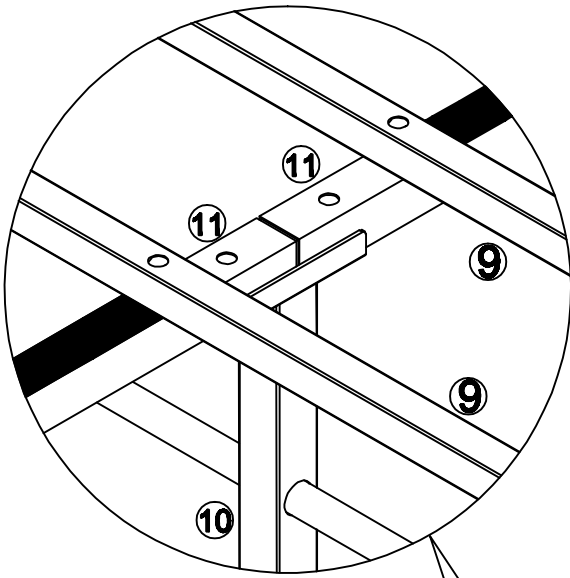


Step 6

C		M6 x 25	8pcs
H		4 #	1pcs






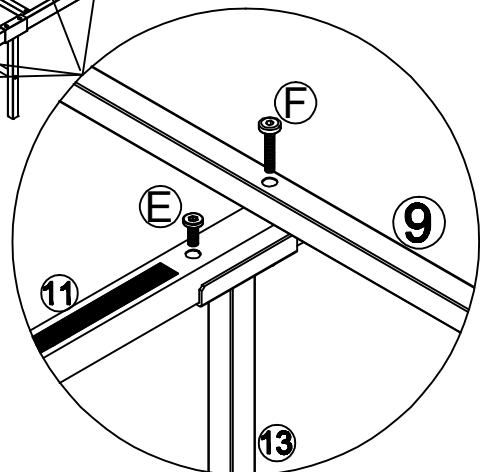
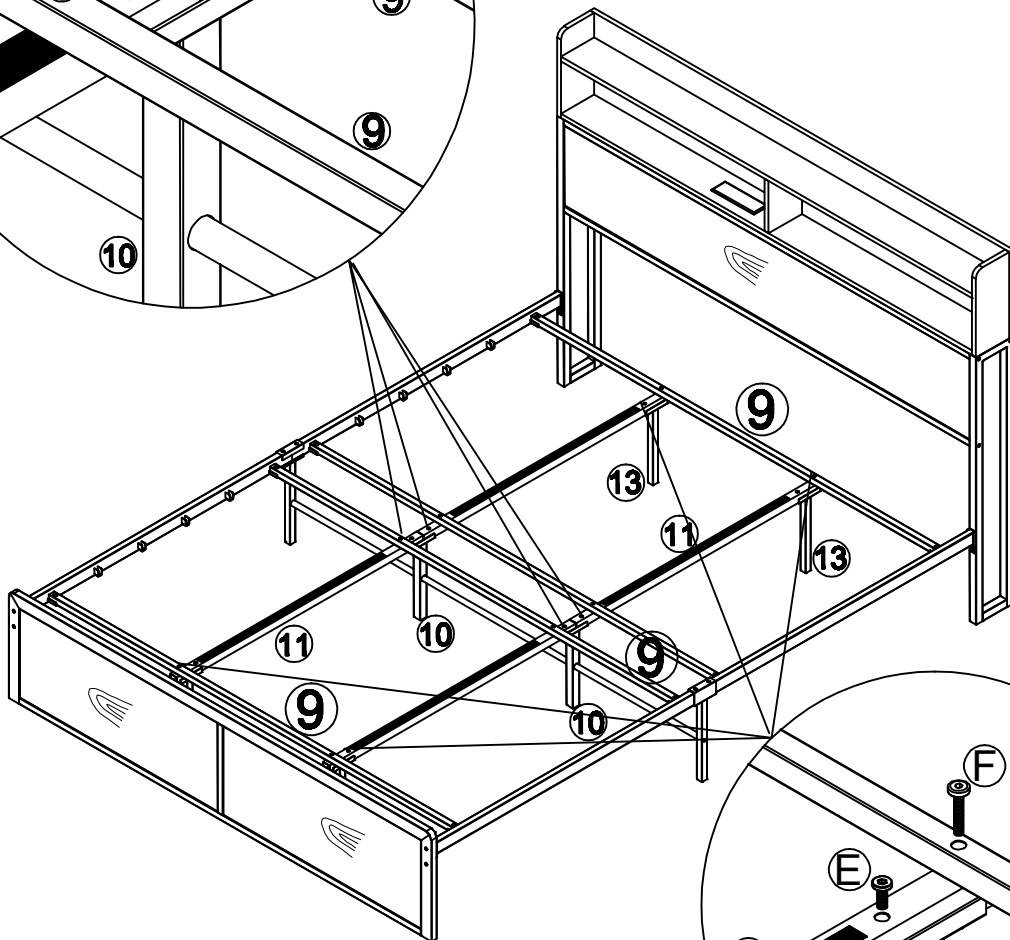
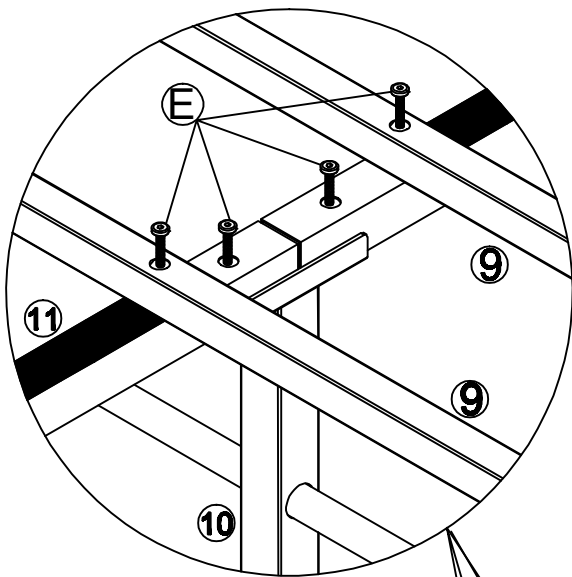
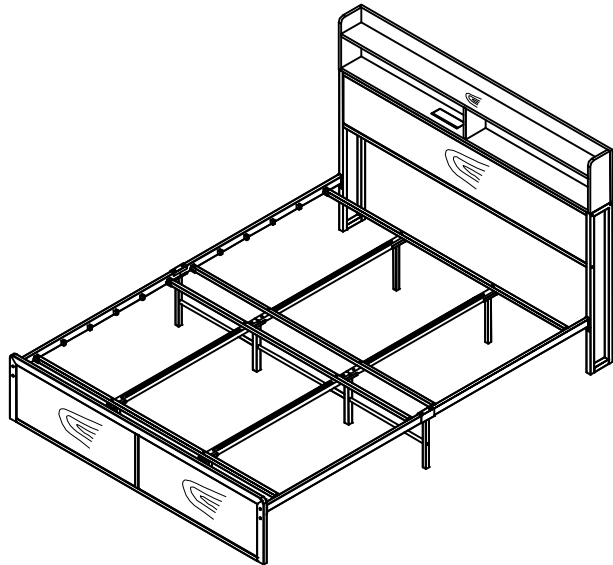
Step 7





With Plastic Rectangle Ribbed Tube.

Step 8

E		M6 x 35	12pcs
F		M6 x 50	4pcs
H		4 #	1pc



Step 9

I		Ø3x10mm x2	2pcs
K		4 #	1pcs

