















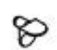











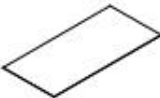



USER'S MANUAL
Cabinet

PRODUCT ASSEMBLY

Hardware List

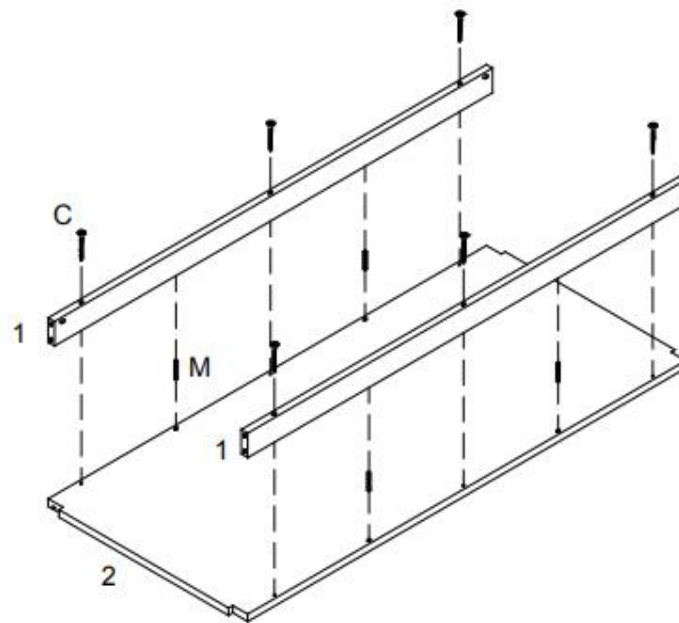
A	 6*35mm	10 pcs	G	 10*10mm	8 pcs	M	 8*40mm	28 pcs
B	 15*10mm	10 pcs	H		1 pc	N		1 pc
C	 4*40mm	9 pcs	I		4 pcs	O		2 pcs
D	 3*14mm	2 pcs	J	 4*16mm	4 pcs	P	 	8 sets
E	 3*12mm	18 pcs	K		2 pcs			
F	 6*70mm	8 pcs	L		4 pcs			

Parts List

1		2 pcs			1 pc
2		1 pc	9		1 pc
3		1 pc	10		1 pc
4		1 pc	11		1 pc
5		2 pcs	12		1 pc
6		1 pc	13		1 pc
7		1 pc			

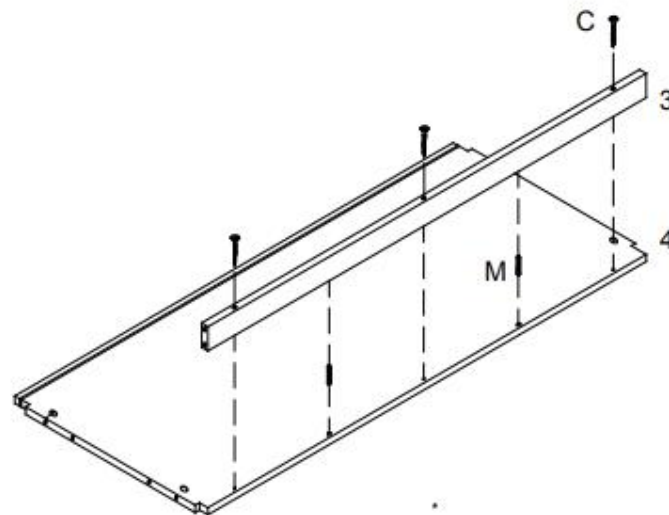
PRODUCT ASSEMBLY

Step 1



C		6 pcs
M		4 pcs

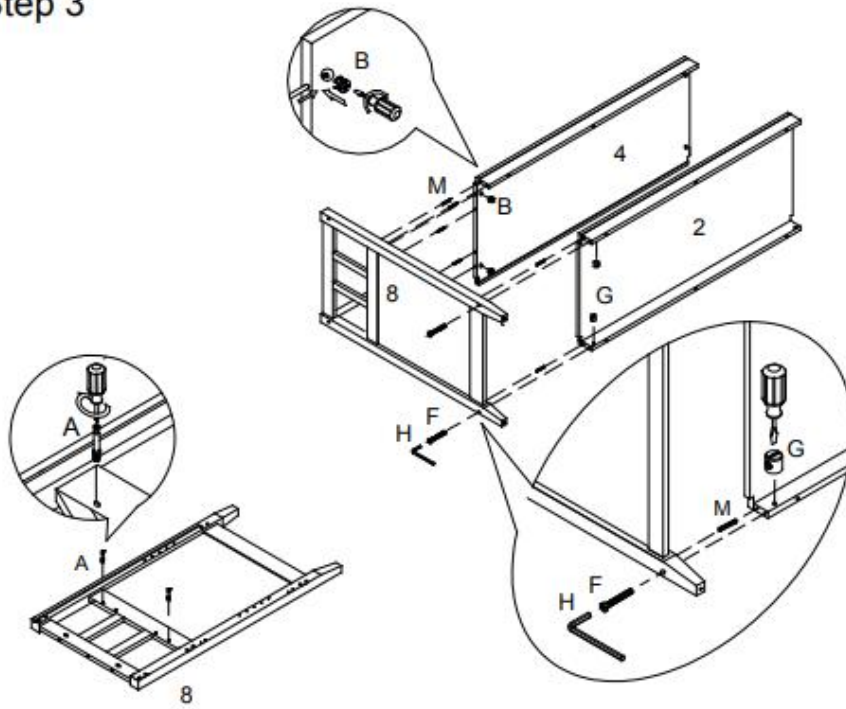
Step 2



C		3 pcs
M		2 pcs

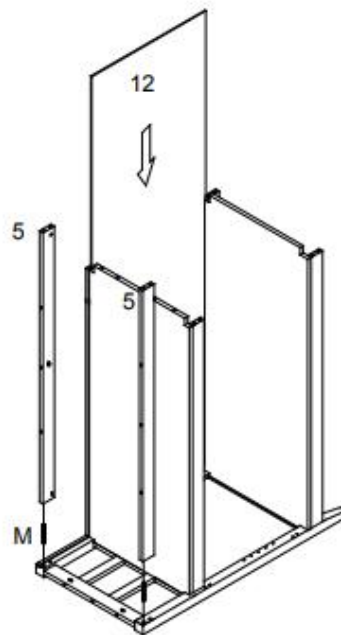
PRODUCT ASSEMBLY

Step 3



A		2 pcs
B		2 pcs
F		2 pcs
G		2 pcs
H		1 pc
M		6 pcs

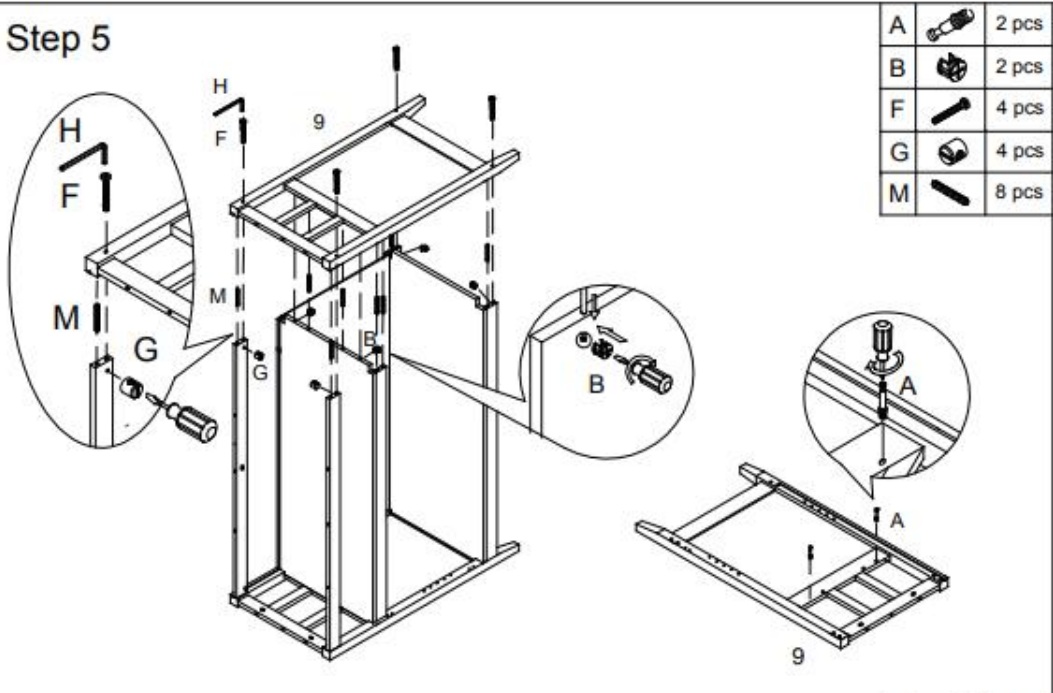
Step 4



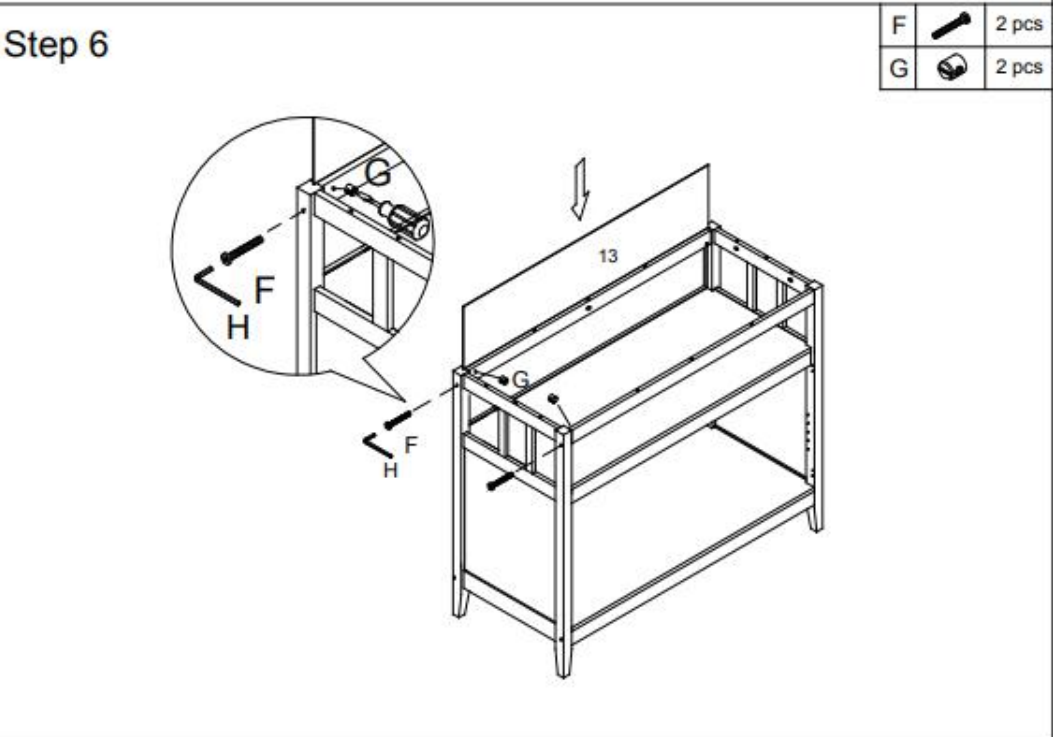
M		2 pcs
---	--	-------

PRODUCT ASSEMBLY

Step 5



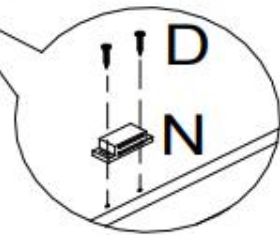
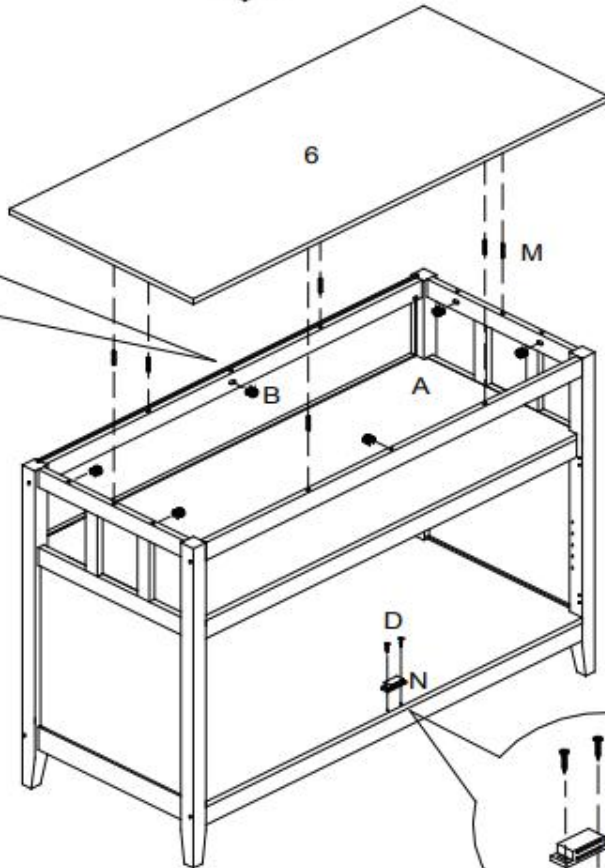
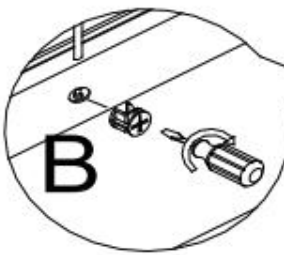
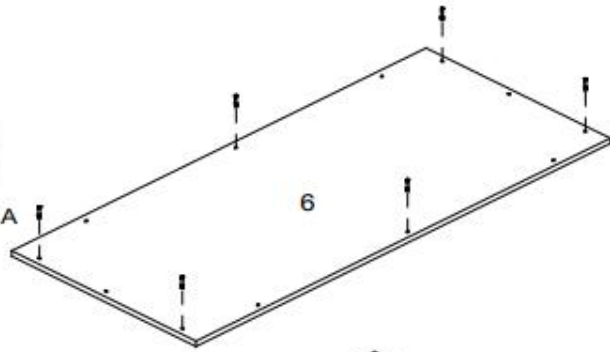
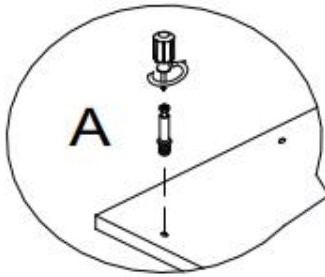
Step 6



PRODUCT ASSEMBLY

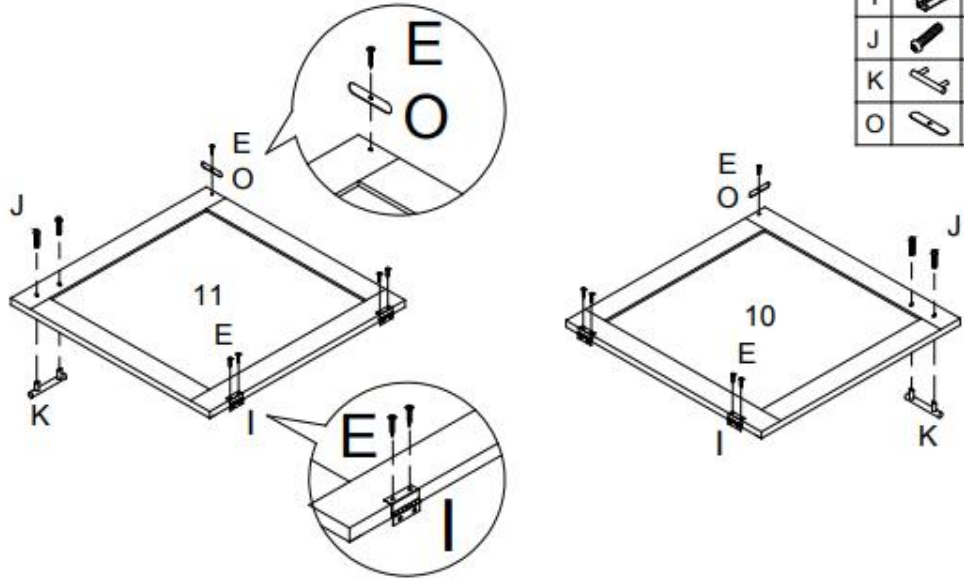
Step 7






A  6 pcs B  6 pcs D  2 pcs M  6 pcs N  1 pc



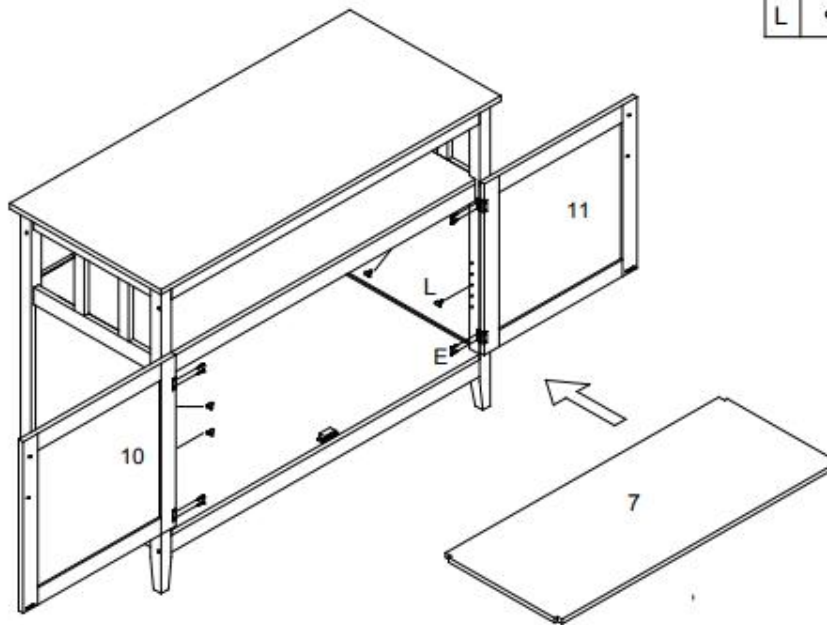
PRODUCT ASSEMBLY

Step 8



E		10 pcs
I		4 pcs
J		4 pcs
K		2 pcs
O		2 pcs

Step 9



E		8 pcs
L		4 pcs

PRODUCT ASSEMBLY

Step 10

P   8 sets

