

Care and Maintenance

Dust with a soft, dry cloth. Do not use abrasive cleaner. To clean mirror, spray a small amount of glass cleaner onto a lint-free cloth and wipe mirror clean.

Notice

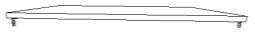


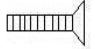

* Please make sure that you have all parts indicated before you begin assembly of this item

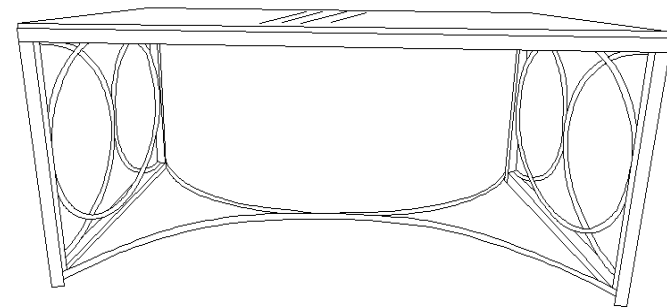
* This item should be assembled on a soft surface to prevent scratching the finish during assembly

* This item may require periodic tightening

Product Dimensions: 47 1/2"W X 28"W X 20 1/2"H

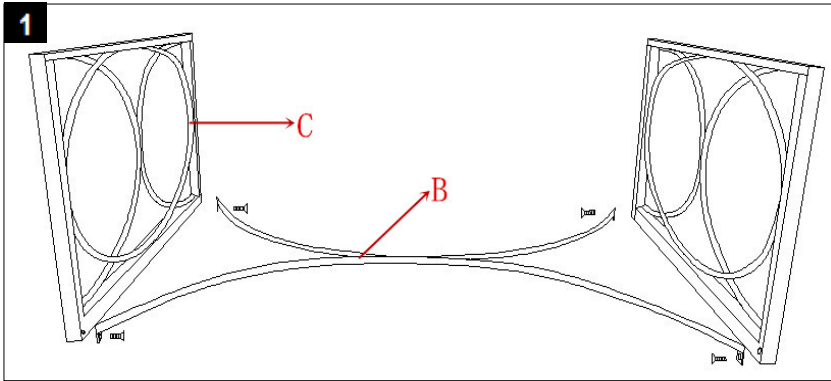
Part List and Hardware List

Piece	Description	Picture	Quantity
A	top shelf		1X
B	Stretcher		4X
C	leg		2X
D	screws		12 X
E	mirror		1X

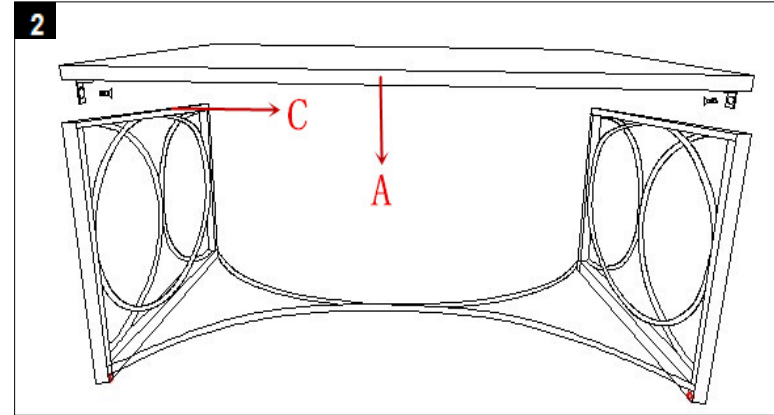


Preparation

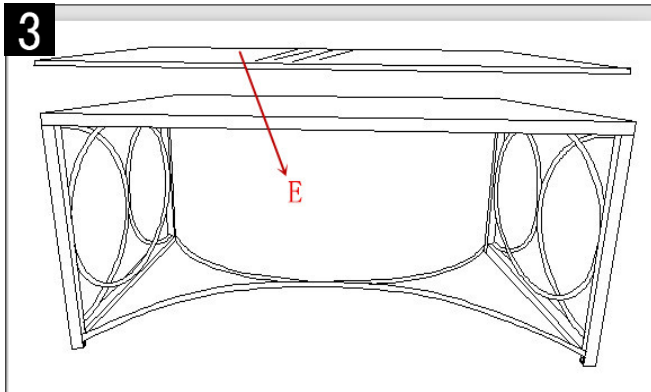
Before beginning assembly of product, make sure all parts are present. Compare parts with package contents list and hardware contents list. If any part is missing or damaged, do not attempt to assemble the product. Estimated Assembly Time: 10 minutes.



Step 1
Assemble the leg(C) Stretcher(B) together using four screws(D).



Step 2
Assemble the leg(C) top shelf (A) together using four screws(D).



Step 3
Carefully place the Mirror (E)