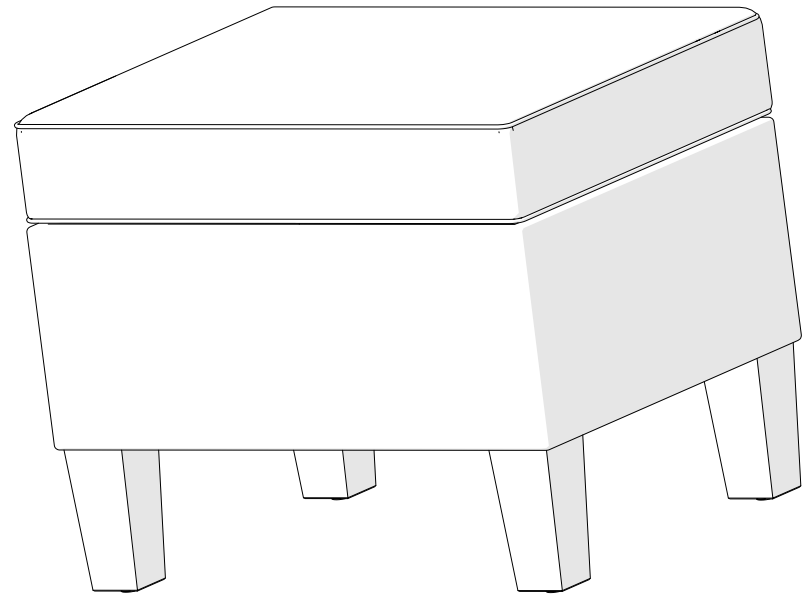


# ASSEMBLY INSTRUCTION



# table of contents

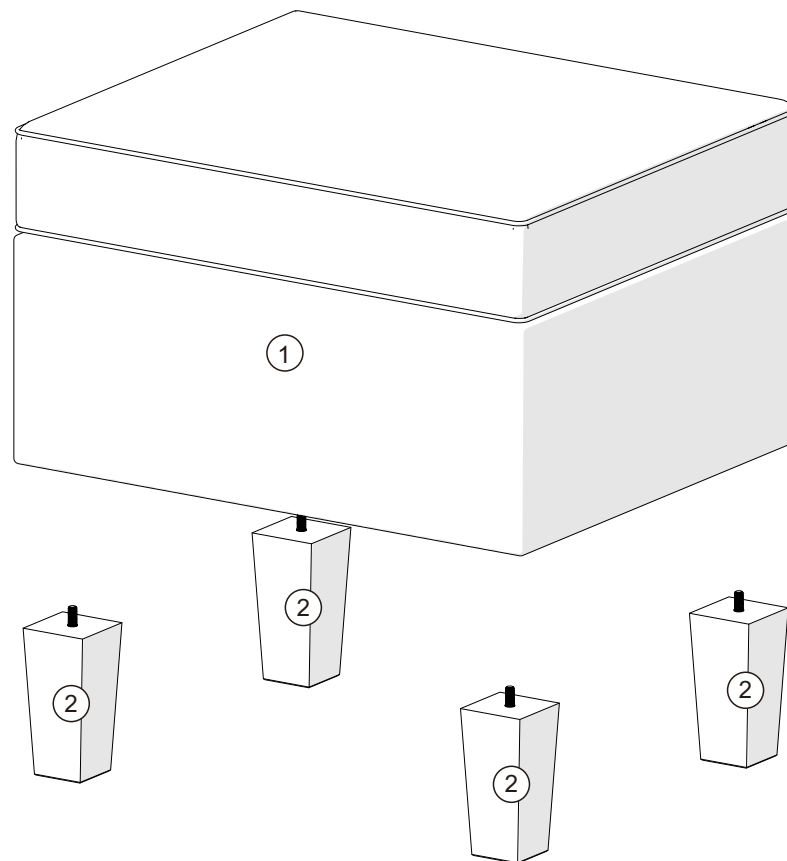


introduction	2
parts list	4
assembly	5

ITEM DESCRIPTION QUANTITY



①	box	1
②	leg	4



# step 1.

---

1

