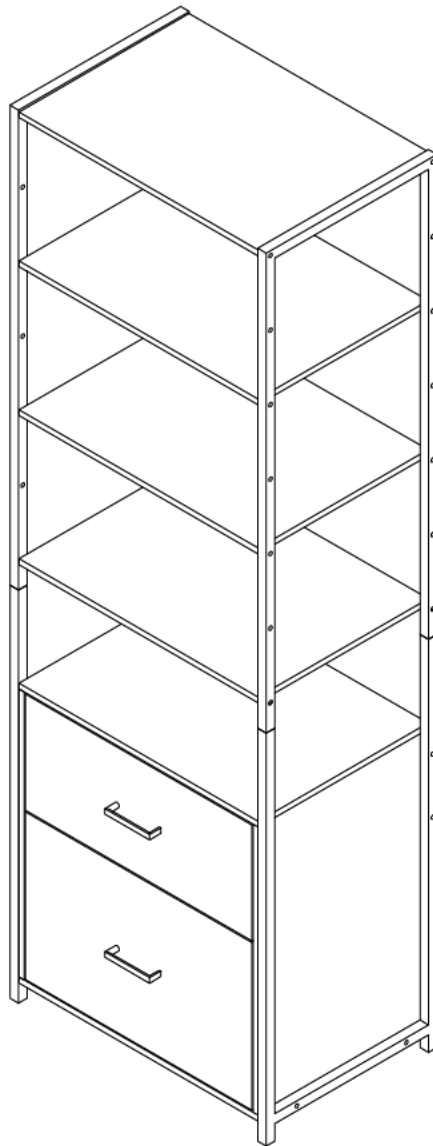


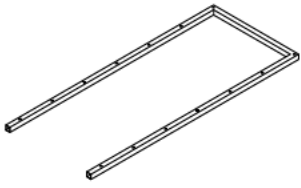
# Installation Instruction



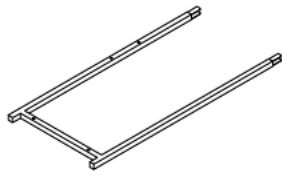
Please don't tighten the screws completely and go back later for a final tightening of all the screws after pieces are aligned with each other.



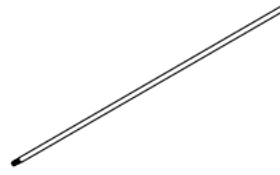
# HARDWARE LIST



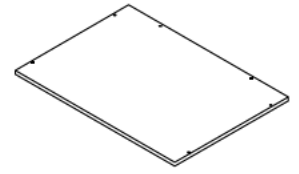
①×2PC



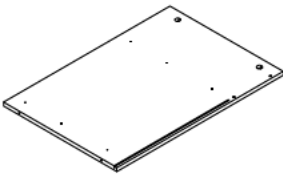
②×2PC



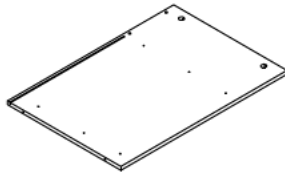
③×2PC



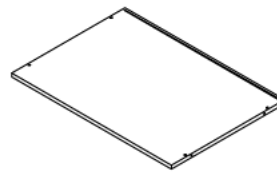
④×1PC



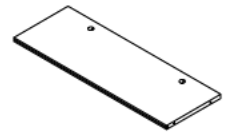
⑤×1PC



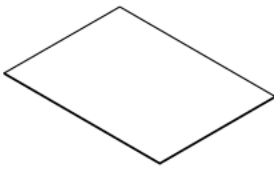
⑥×1PC



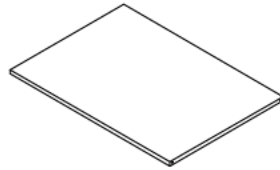
⑦×1PC



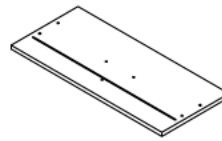
⑧×1PC



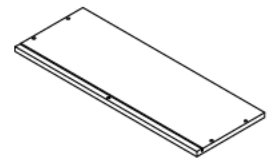
⑨×1PC



⑩×4PC



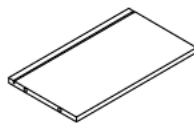
⑪×1PC



⑫×1PC



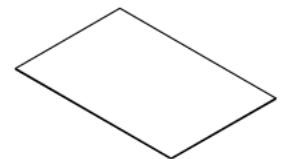
⑬×1PC



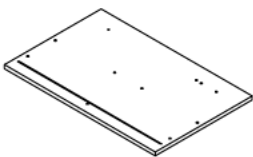
⑭×1PC



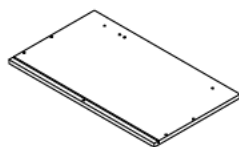
⑮×2PC



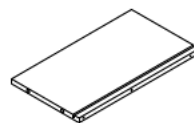
⑯×2PC



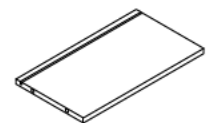
⑰×1PC



⑱×1PC

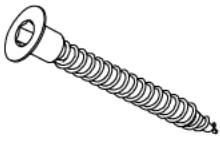


⑲×1PC



⑳×1PC

# PARTA LIST



$\phi$  5\*45mm  
A×34PCS



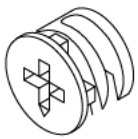
$\phi$  5\*60mm  
B×4PCS



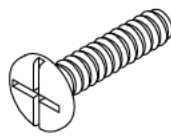
M6\*10mm  
C×4PCS



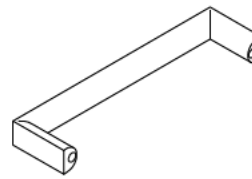
L32mm  
D×16PCS



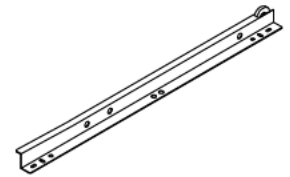
$\phi$ 15\*9mm  
E×16PCS



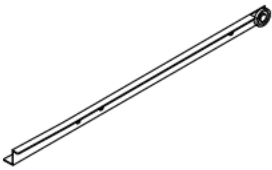
M4\*20mm  
F×4PCS



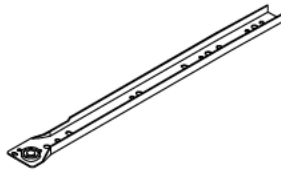
G×2PCS



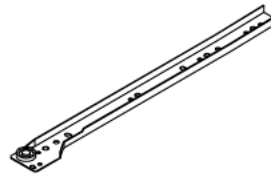
DL×2PCS



DR×2PCS



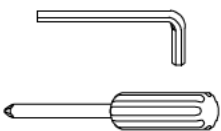
CL×2PCS



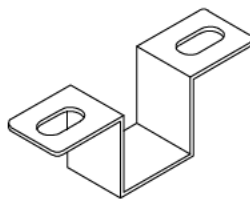
CR×2PCS



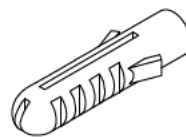
$\phi$  3.5\*12mm  
L×24PCS



M4 mm  
N×1PCS



O×2PCS

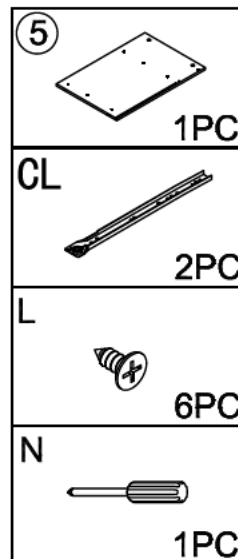
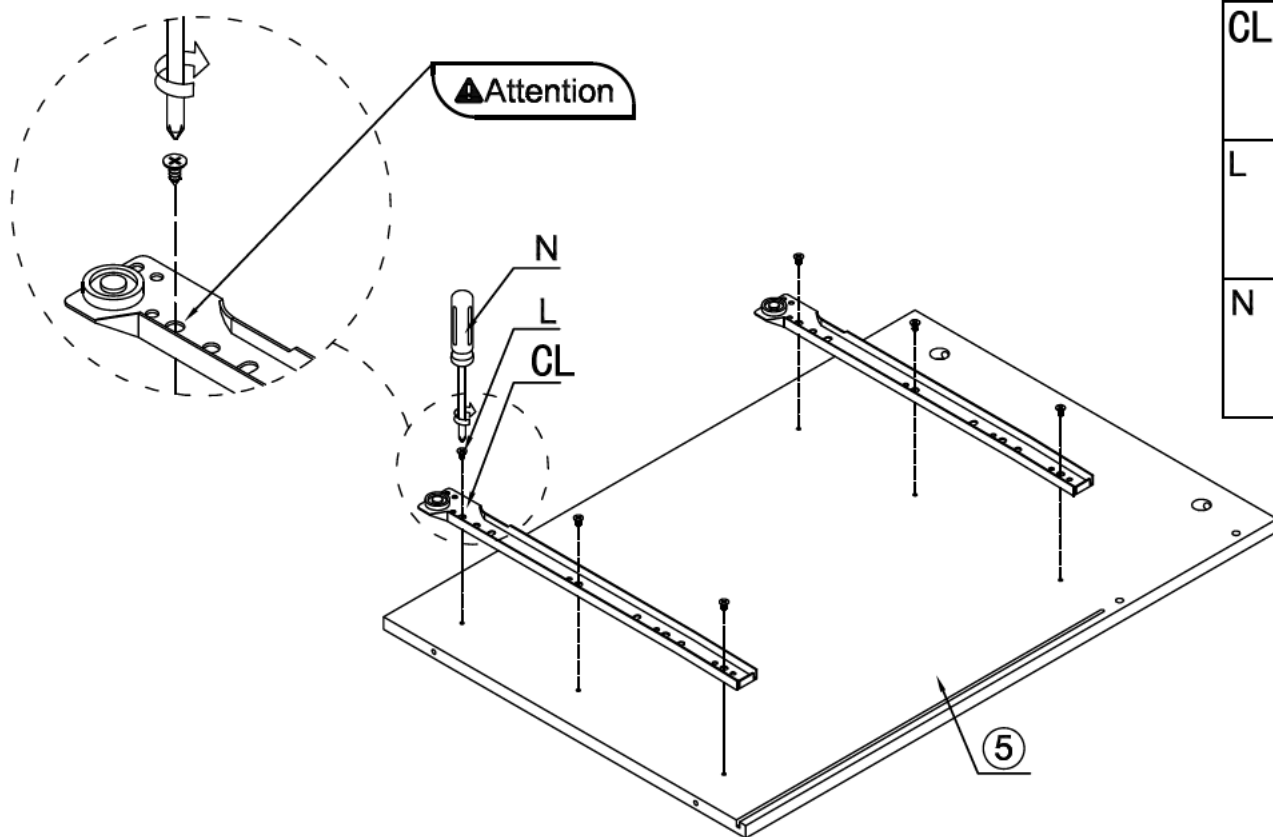


$\phi$  6\*30mm  
P×4PCS

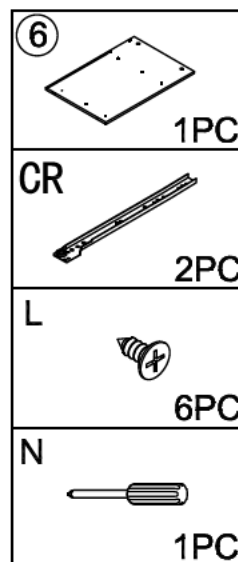
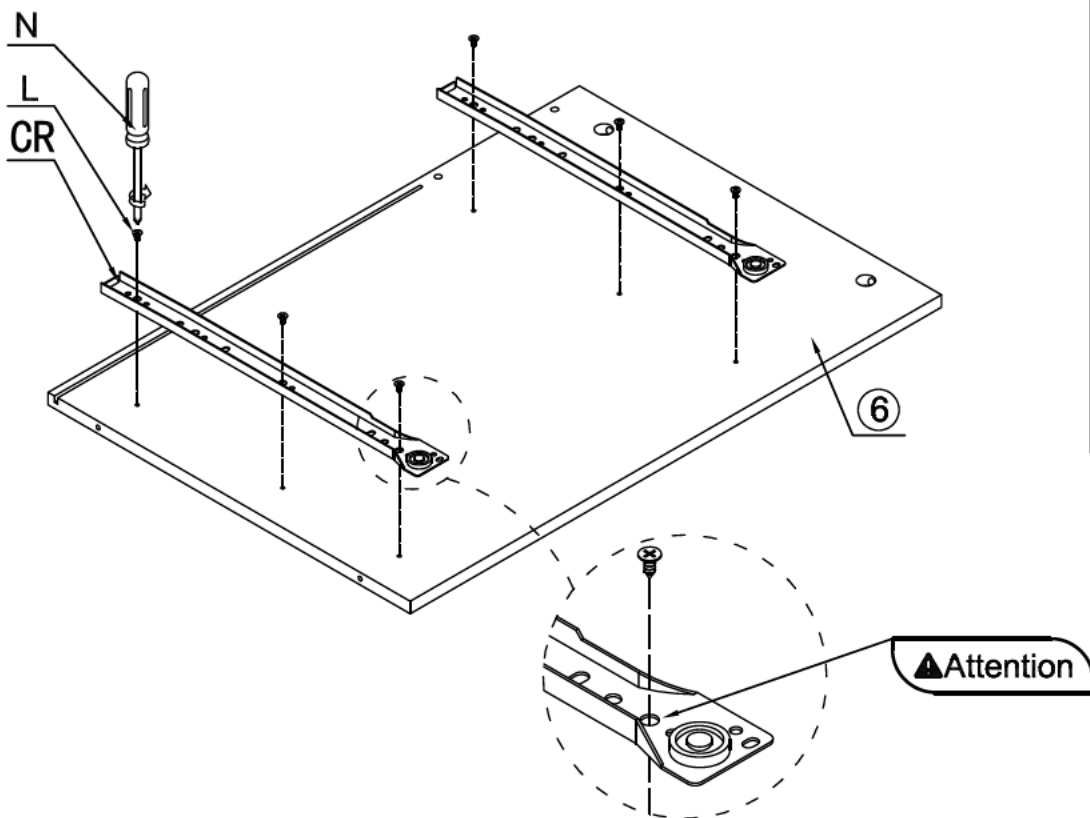


$\phi$  4\*30mm  
Q×4PCS

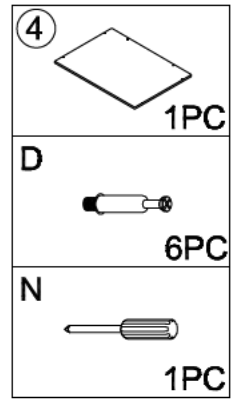
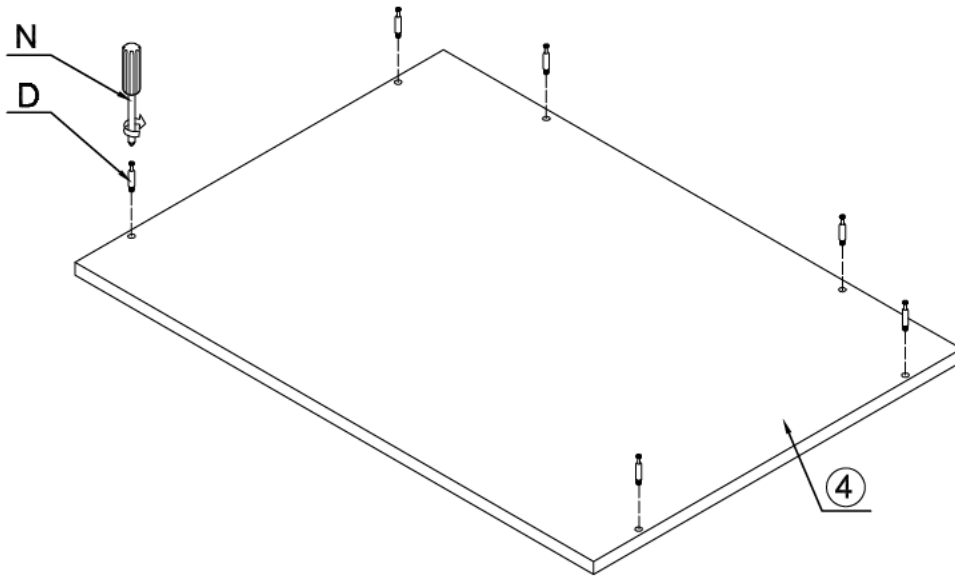
# 1



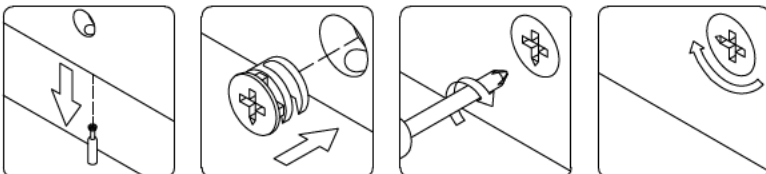
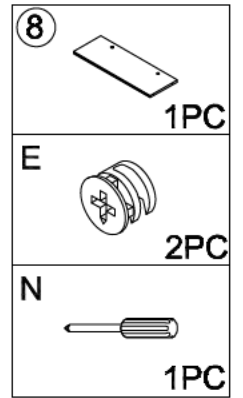
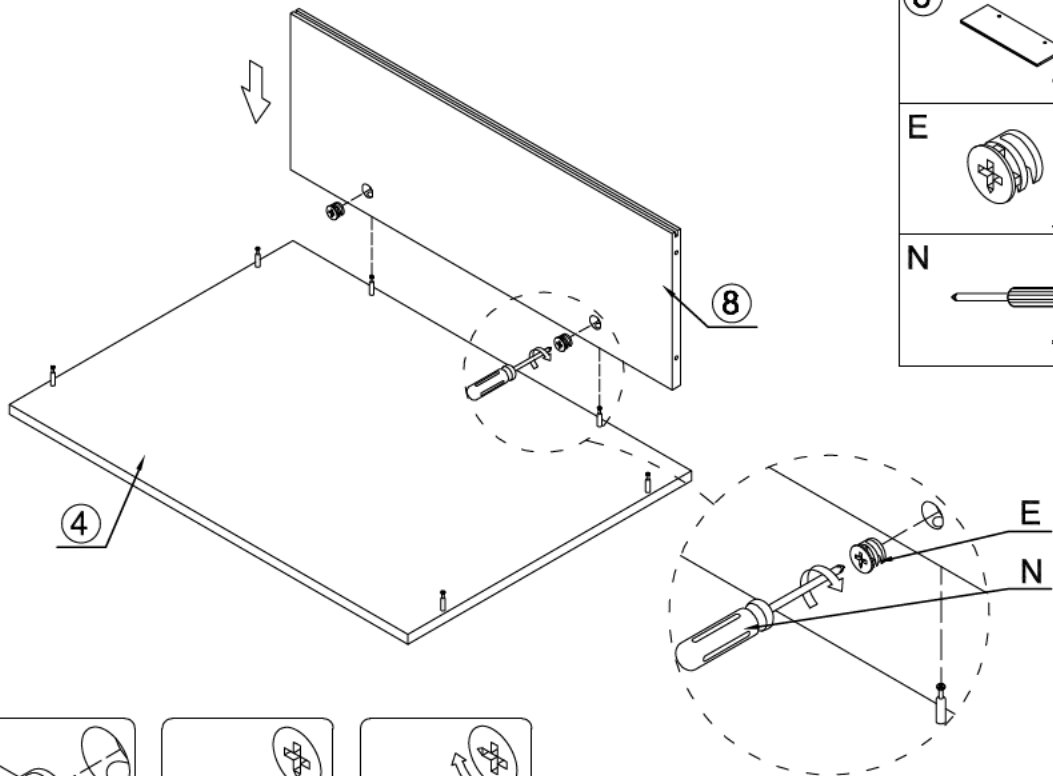
# 2



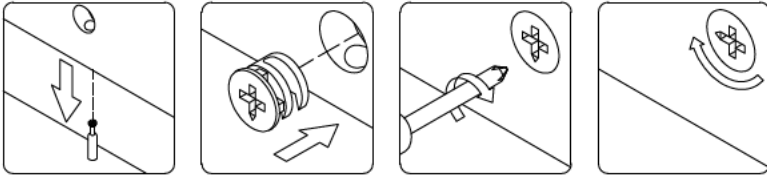
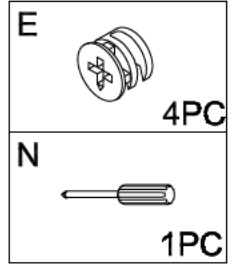
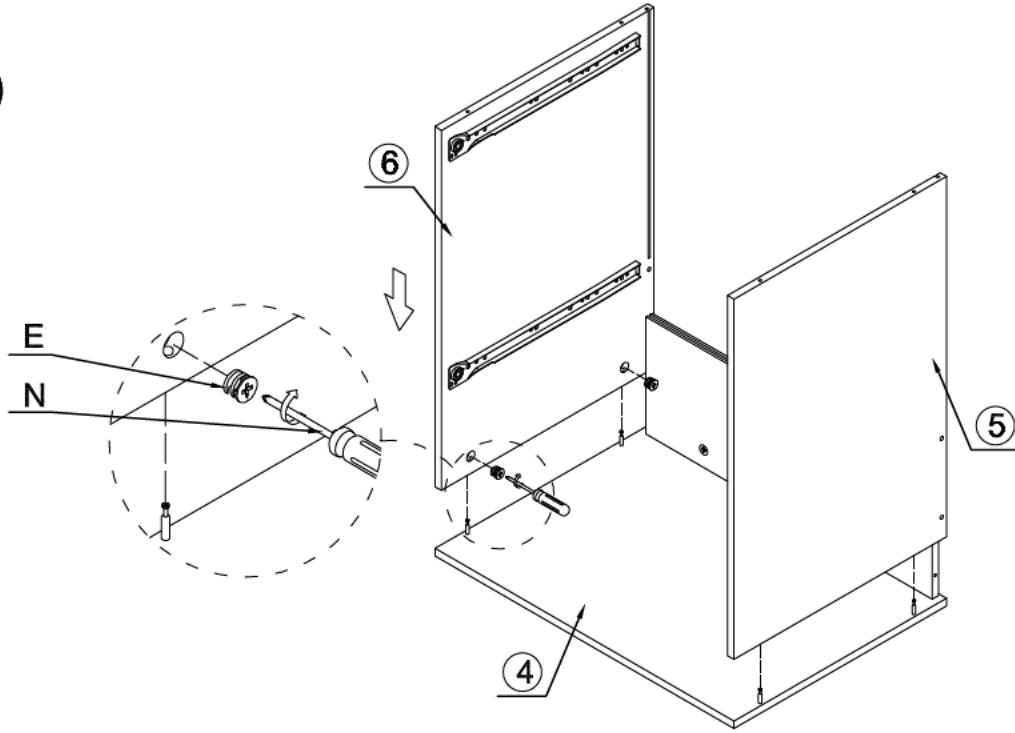
# 3



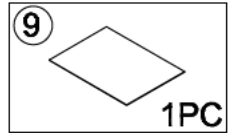
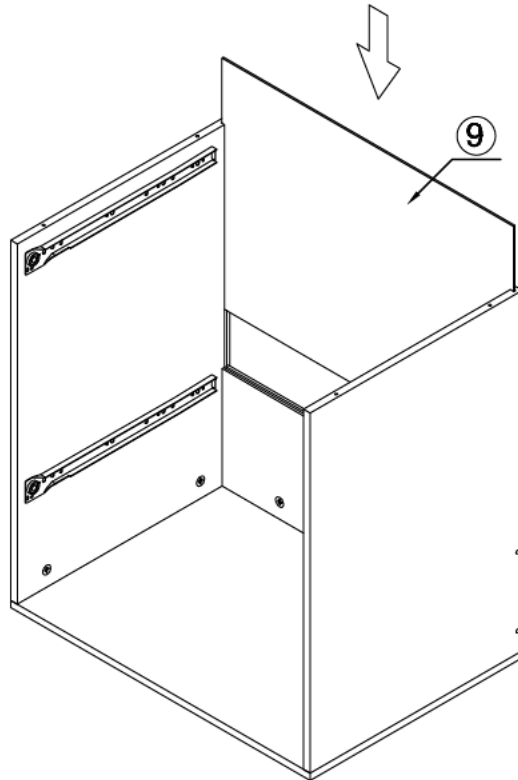
# 4



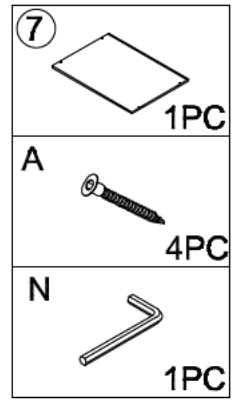
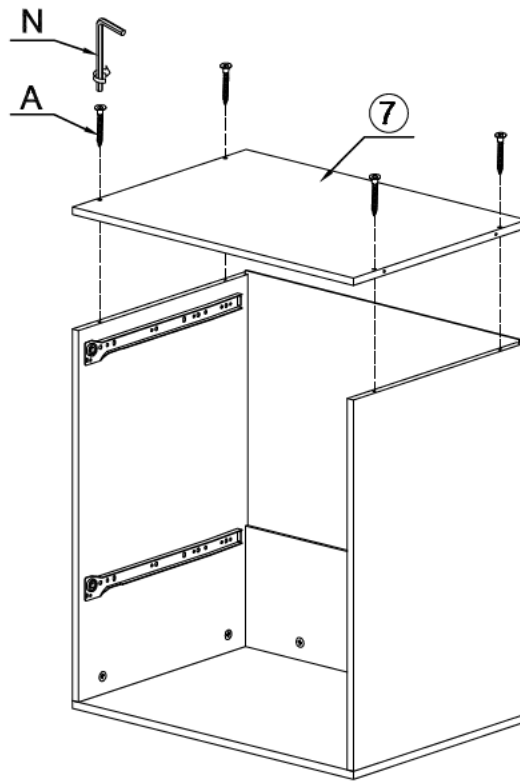
# 5



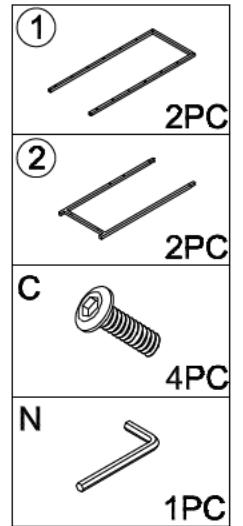
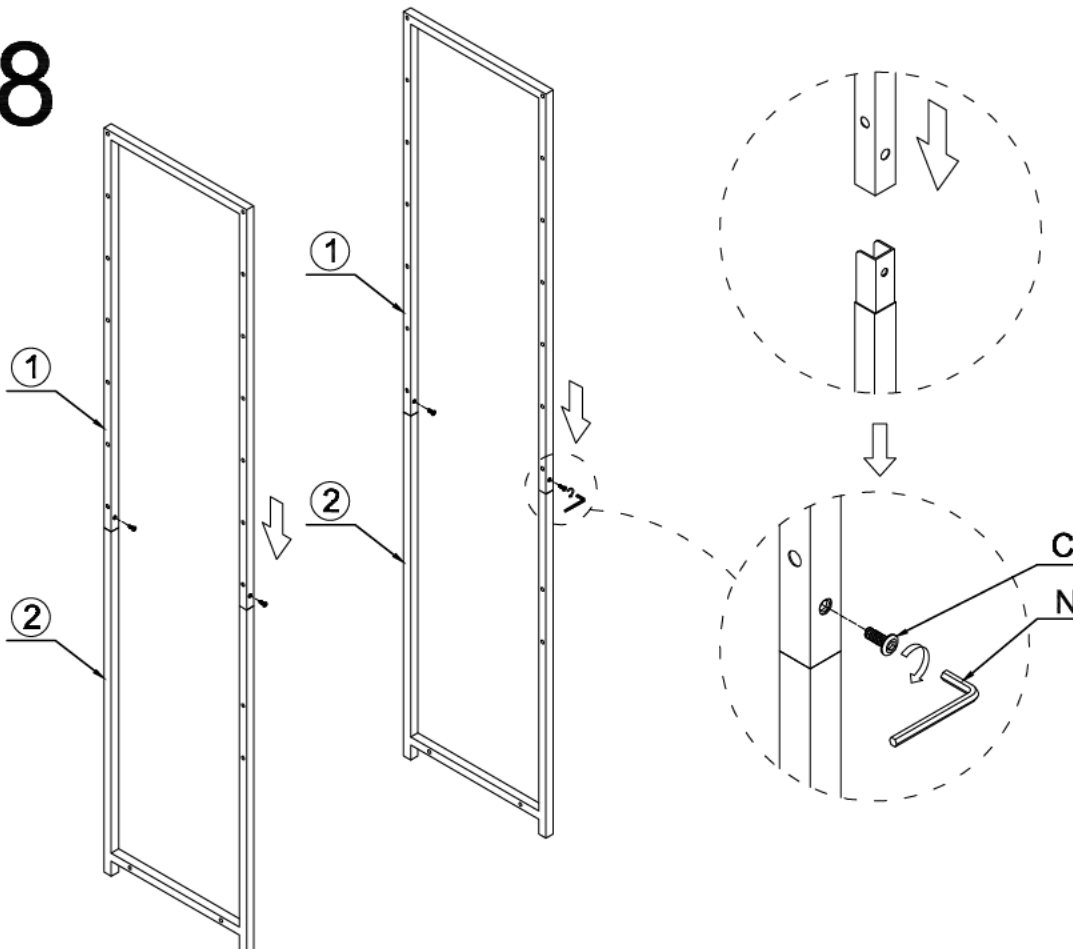
# 6



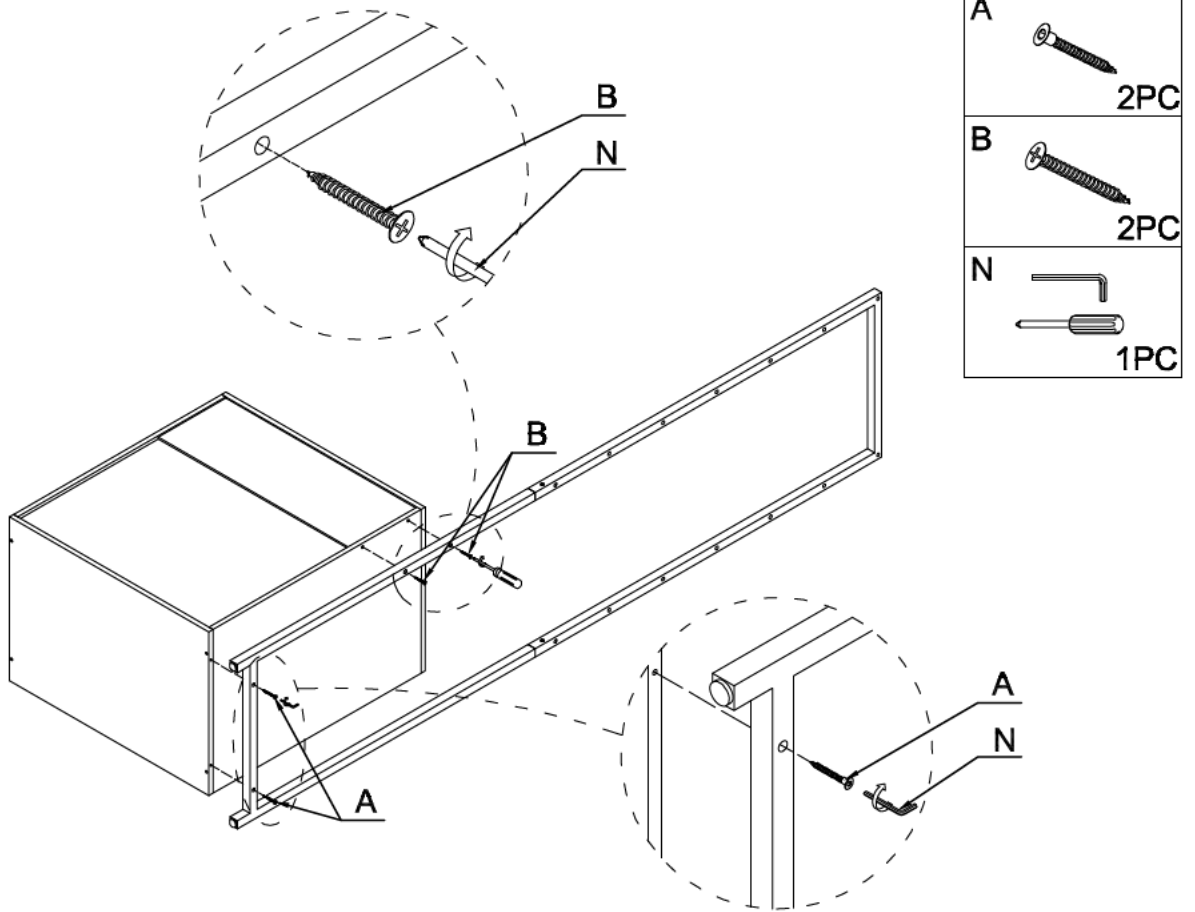
# 7



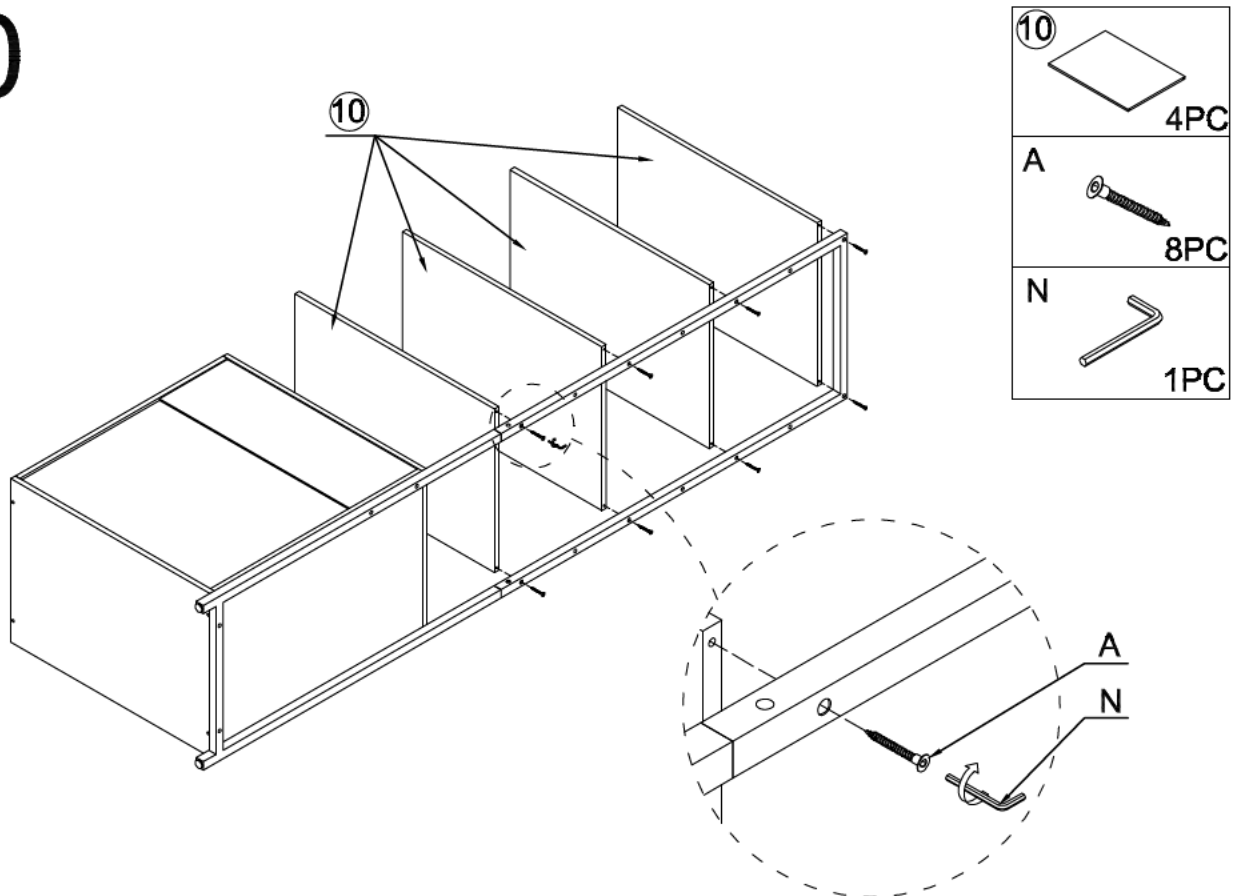
# 8



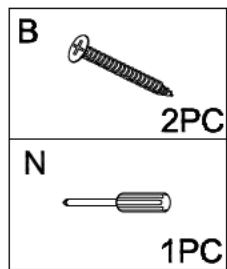
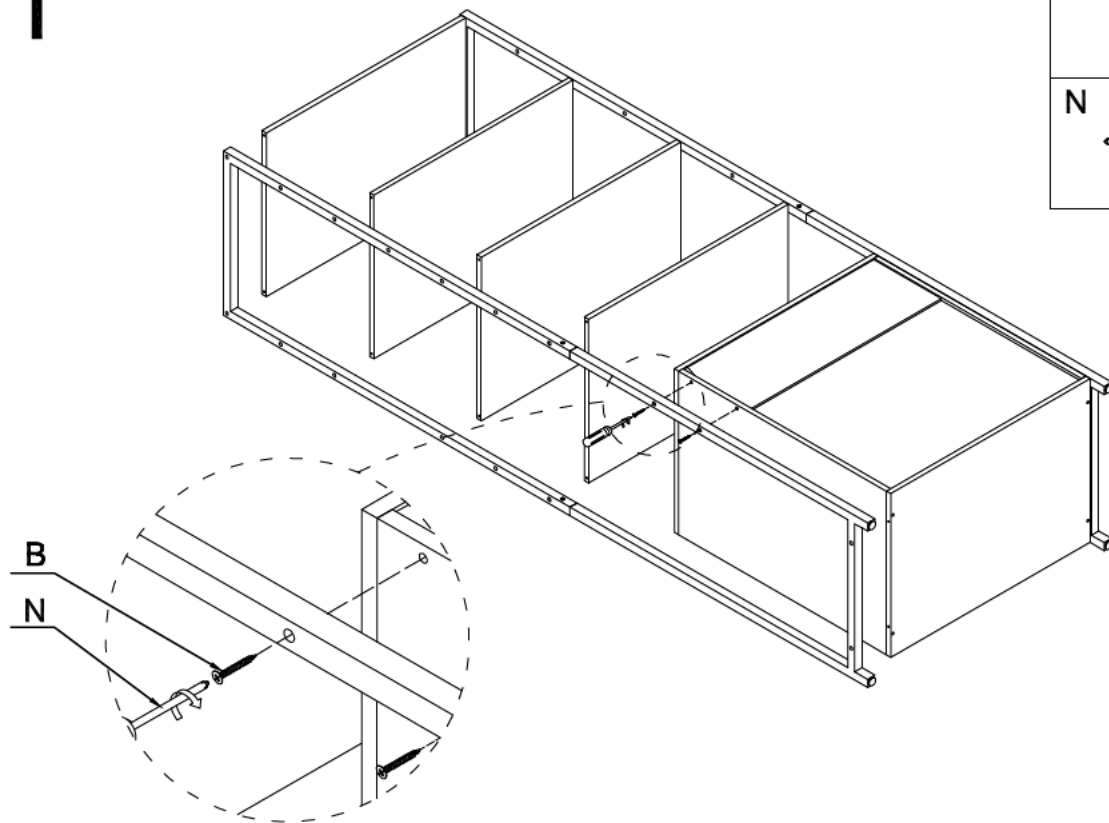
# 9



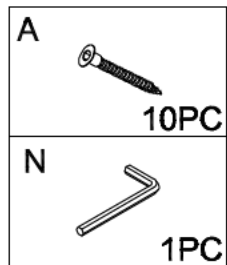
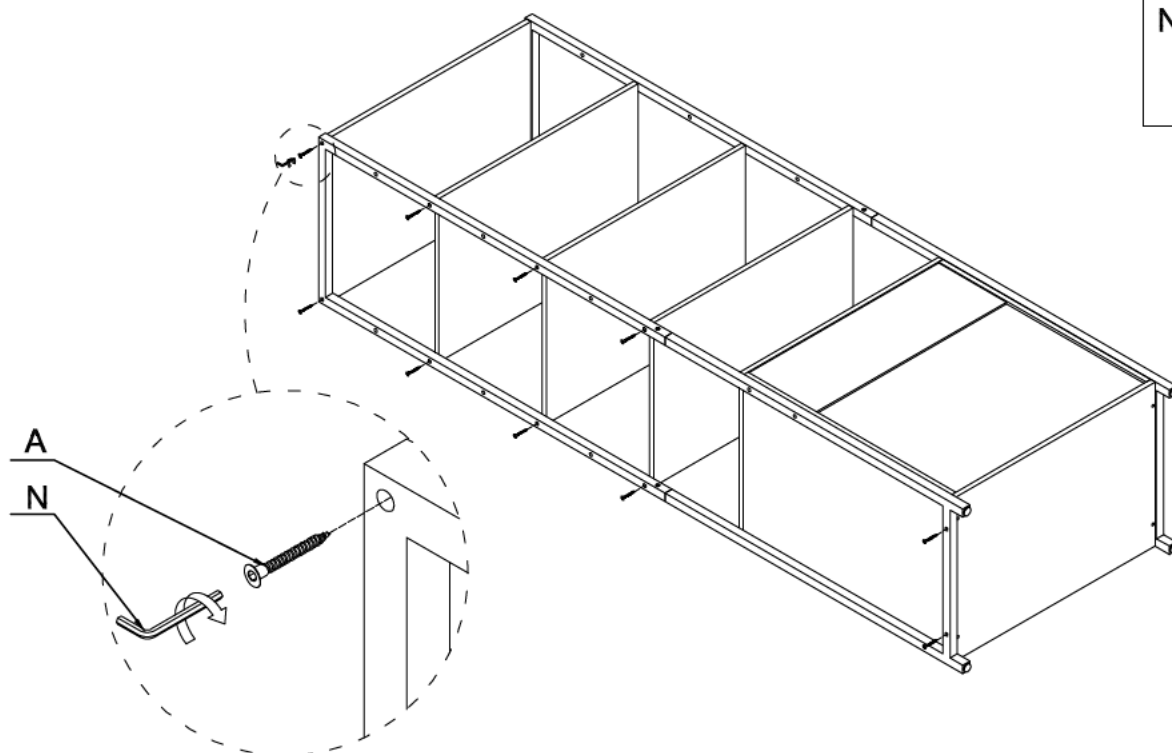
# 10



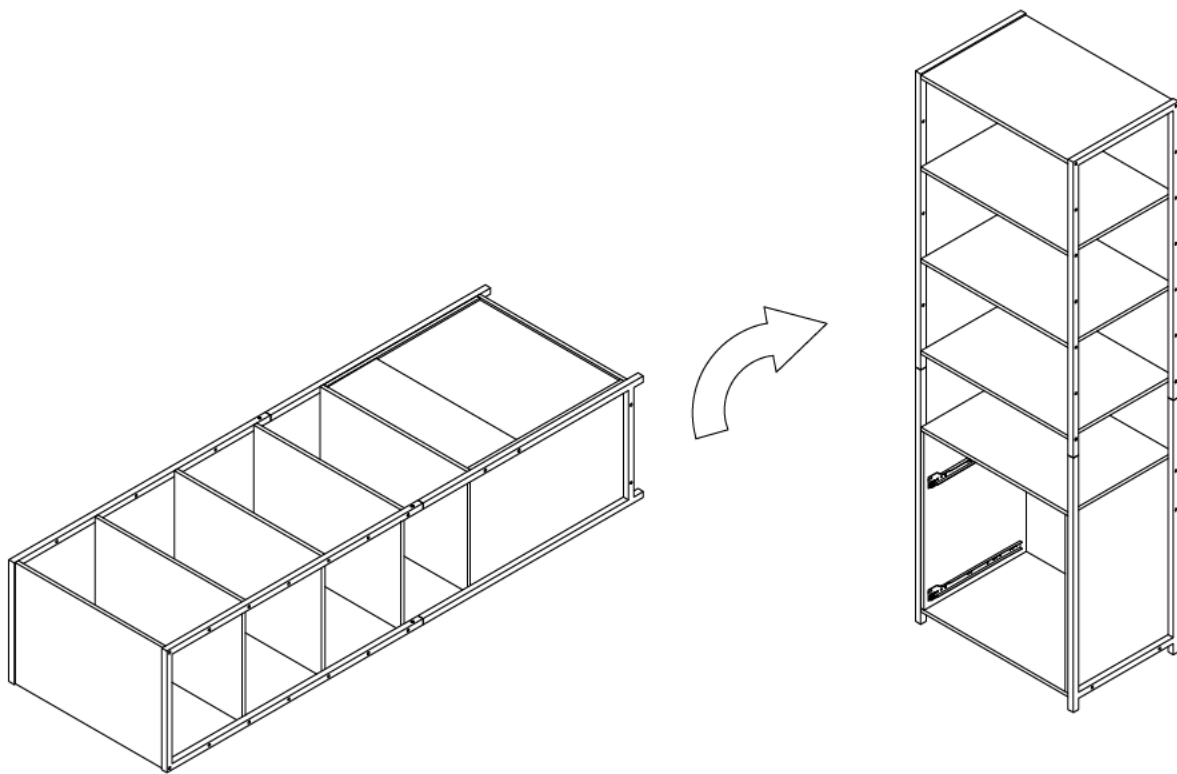
# 11



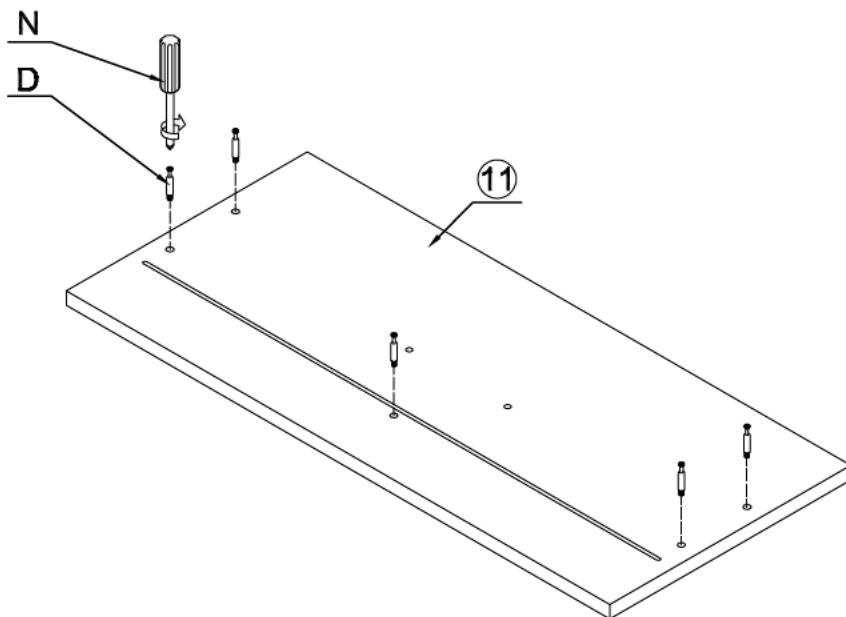
# 12



# 13

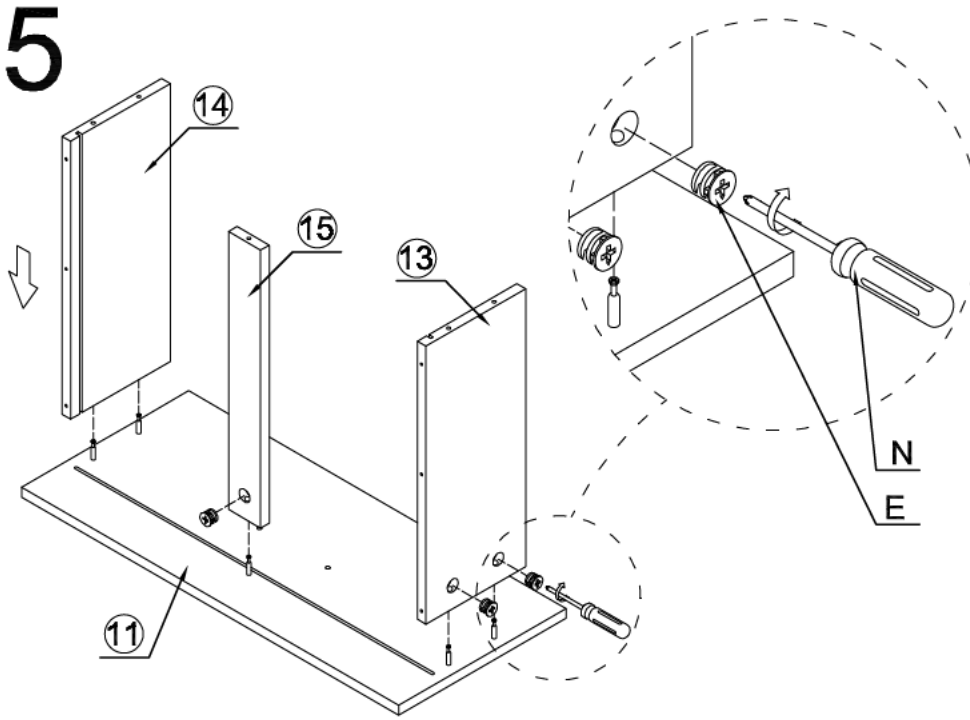


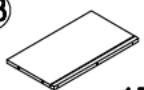
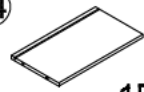


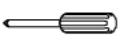
# 14

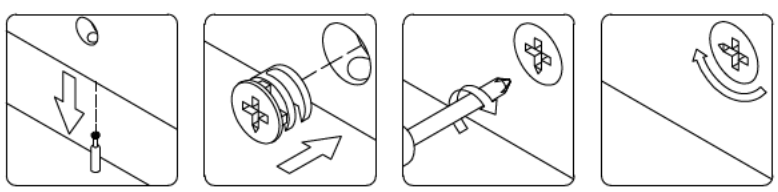


- |   |  |     |
|---|--|-----|
| ⑪ |  | 1PC |
| D |  | 5PC |
| N |  | 1PC |

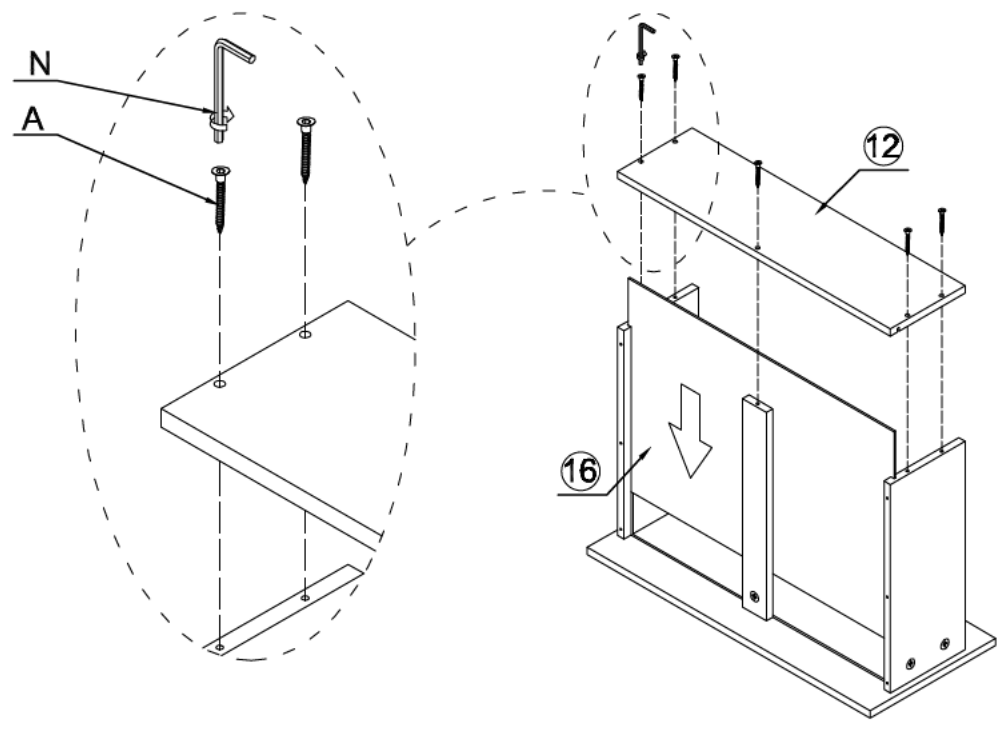
# 15

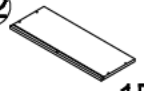
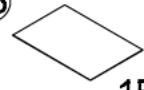




- 13**  1PC
- 14**  1PC
- 15**  1PC
- E**  5PC
- N**  1PC

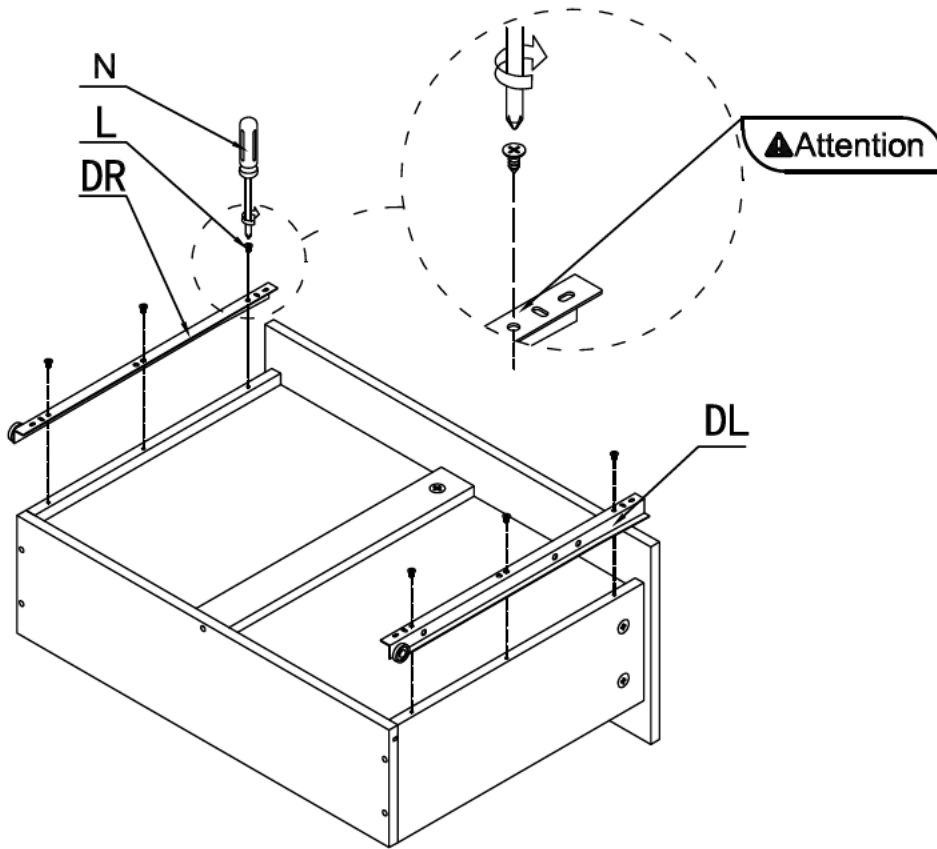


# 16



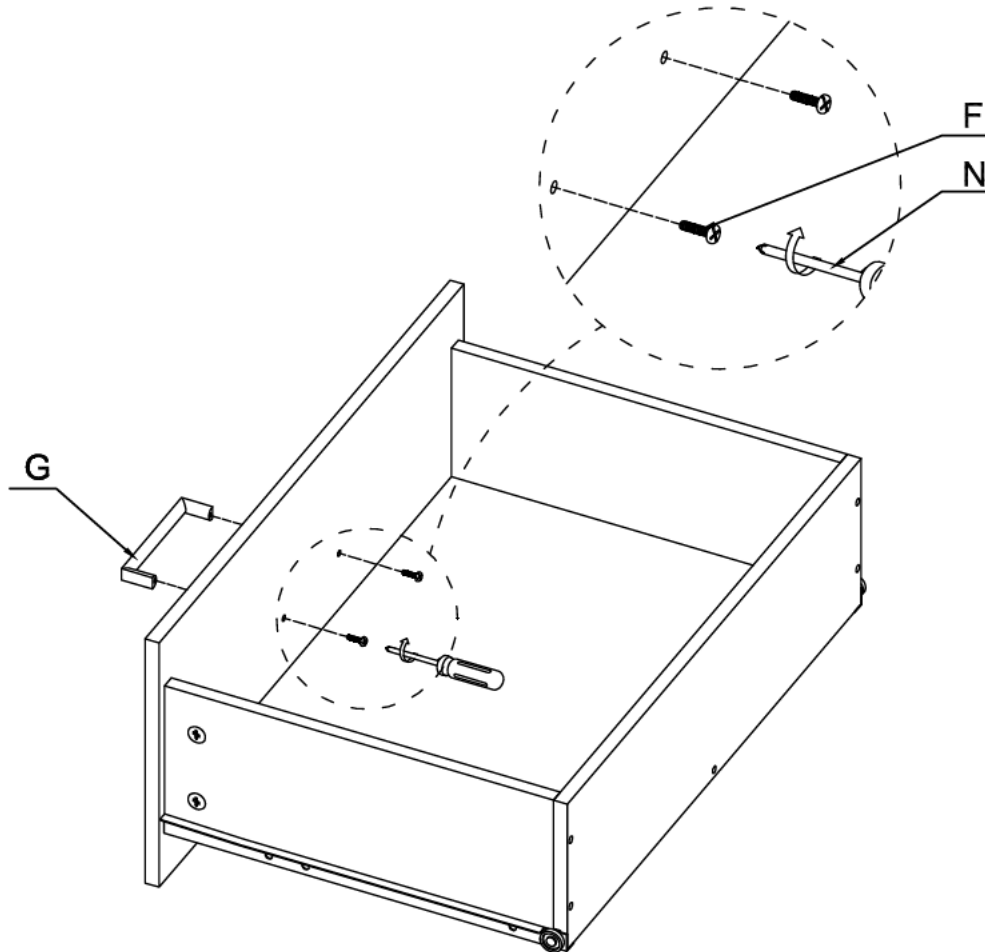
- 12**  1PC
- 16**  1PC
- A**  5PC
- N**  1PC

# 17



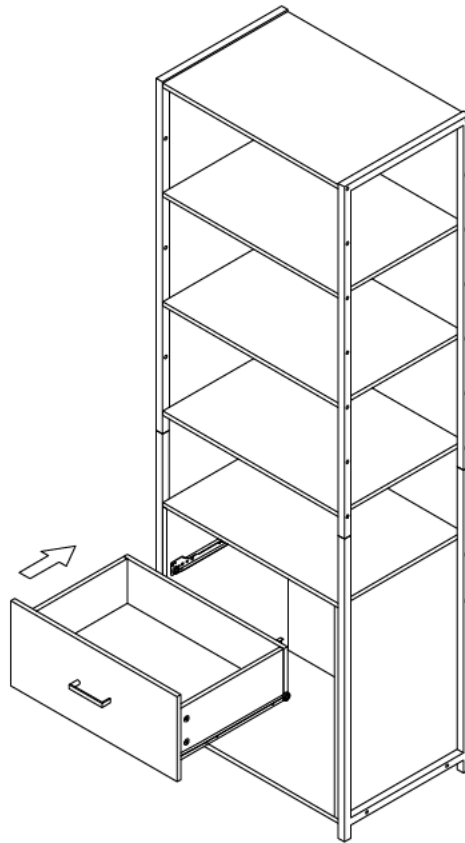
DR		1PC
DL		1PC
L		6PC
N		1PC

# 18

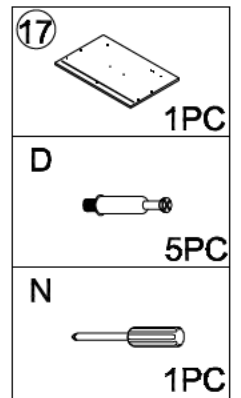
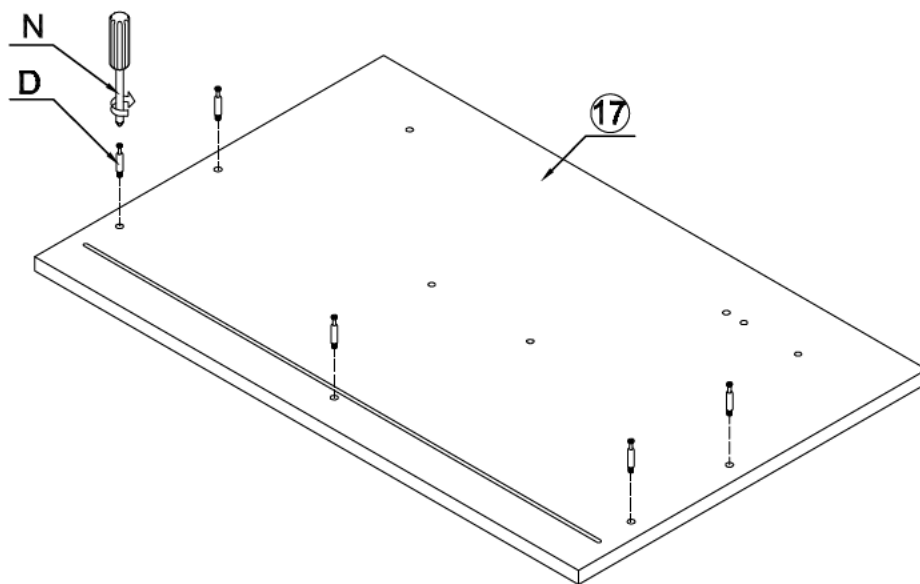


F		2PC
G		1PC
N		1PC

# 19

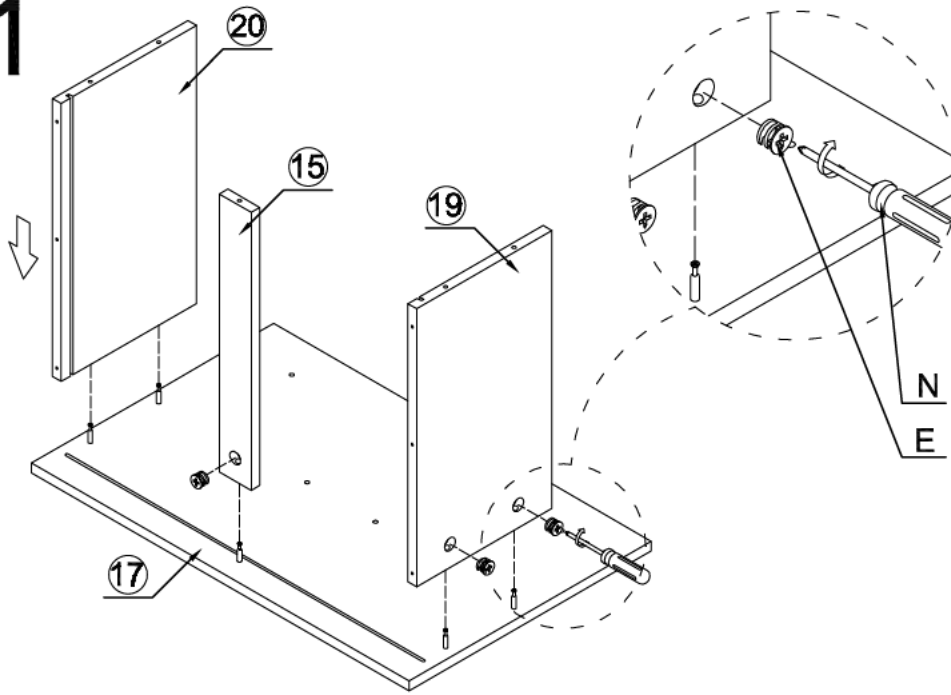


# 20

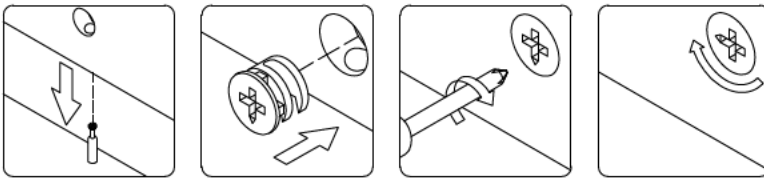


P13/17

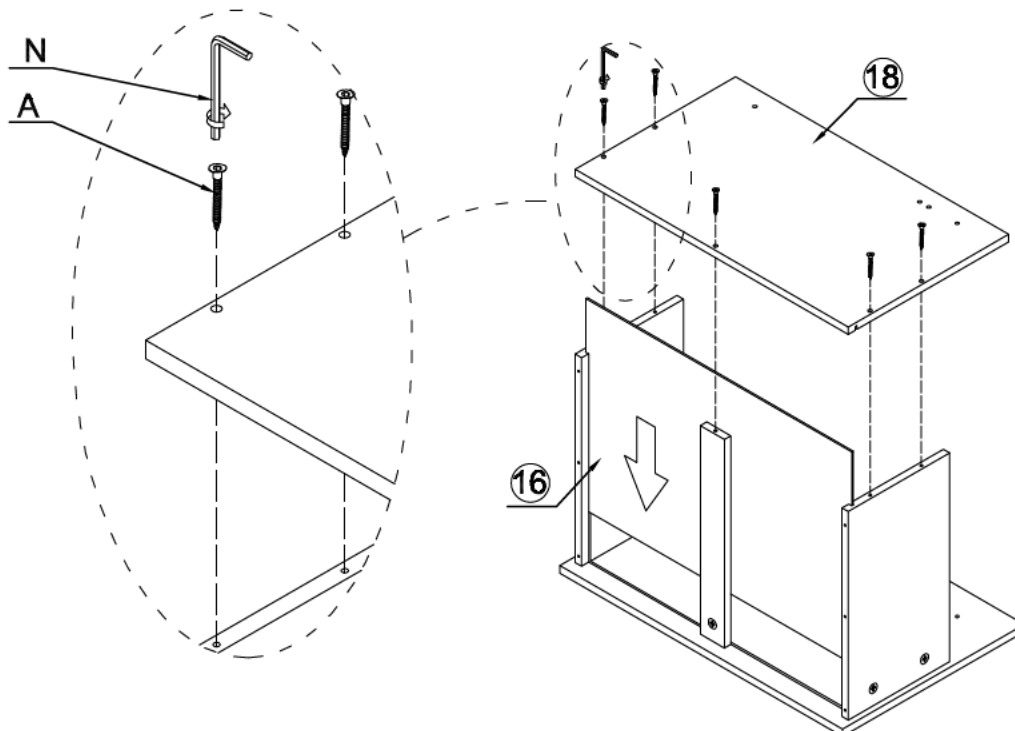
# 21



15		1PC
19		1PC
20		1PC
E		5PC
N		1PC

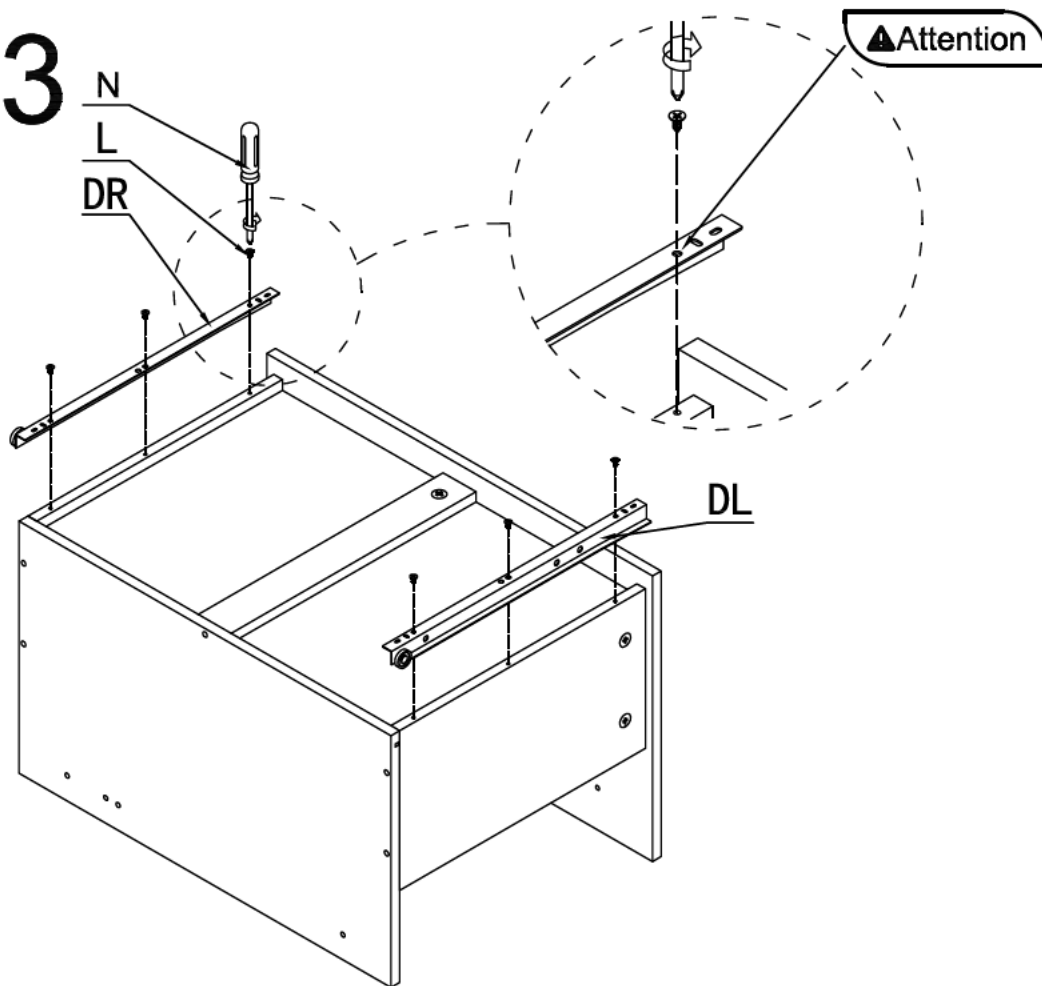


# 22



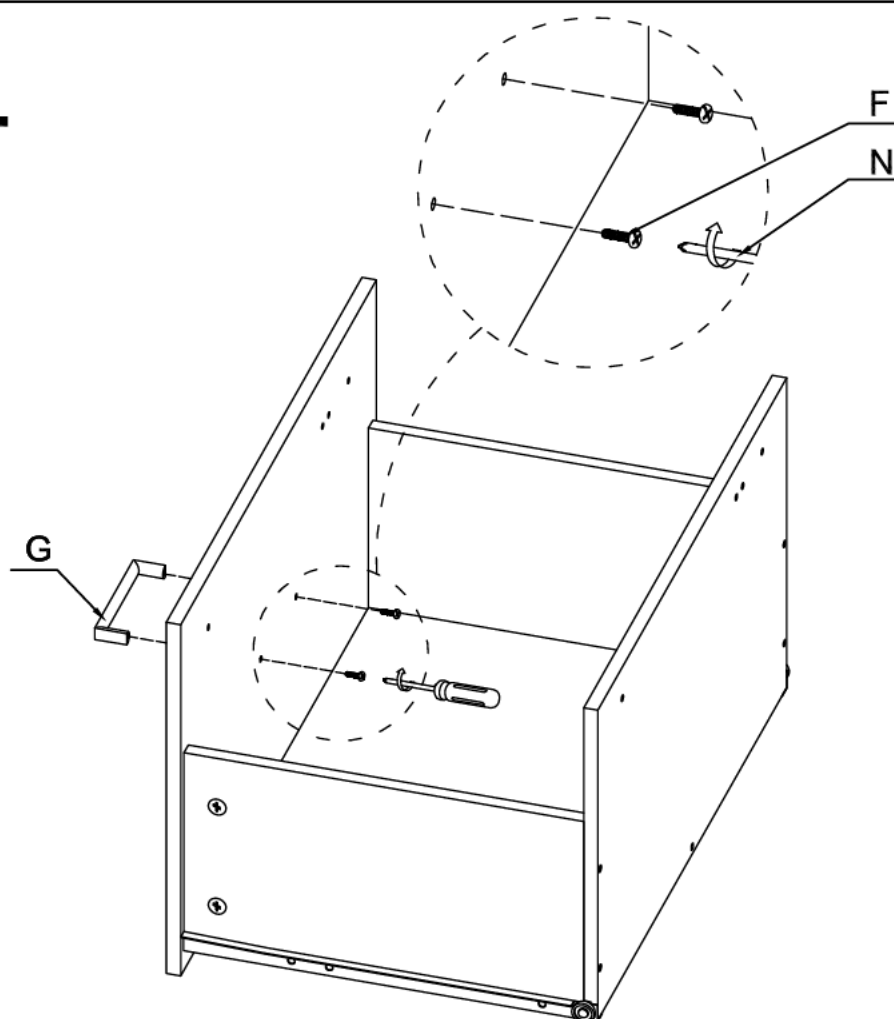
16		1PC
18		1PC
A		5PC
N		1PC

# 23



DR		1PC
DL		1PC
L		6PC
N		1PC

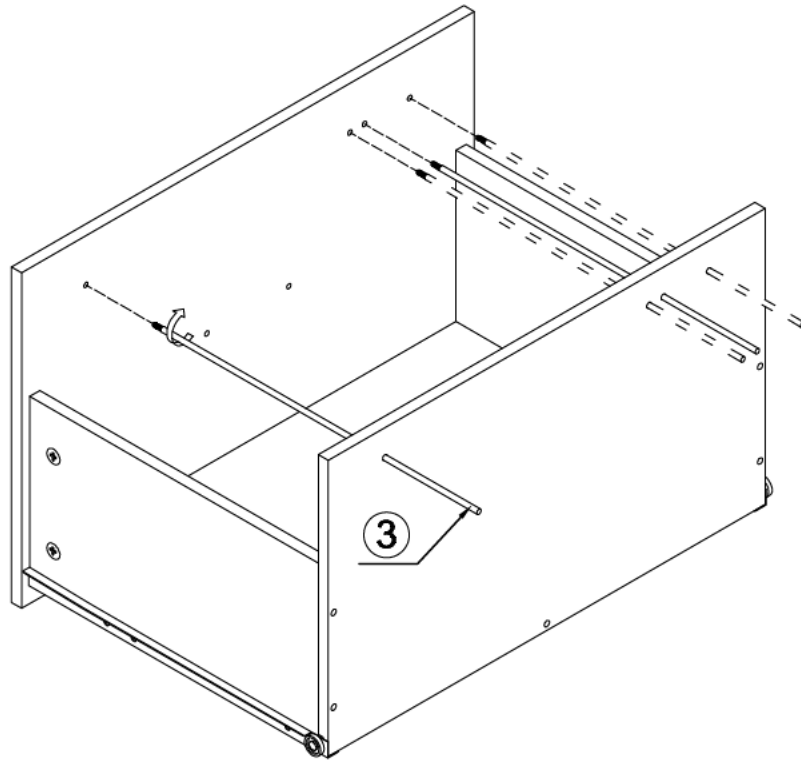
# 24



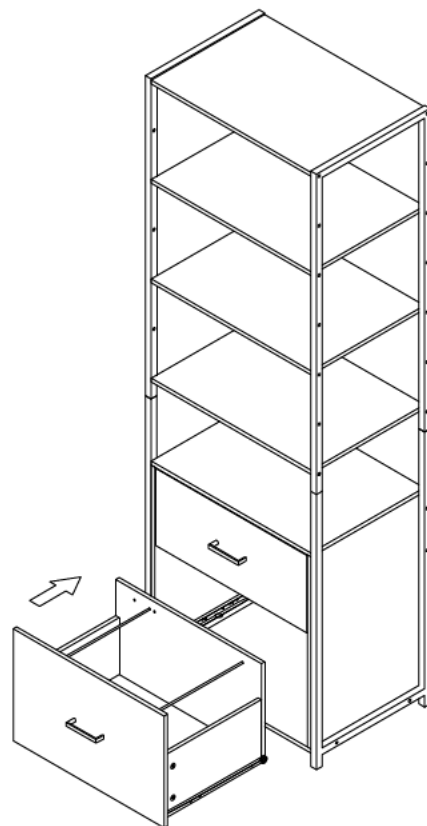
F		2PC
G		1PC
N		1PC

# 25

③  
2PC

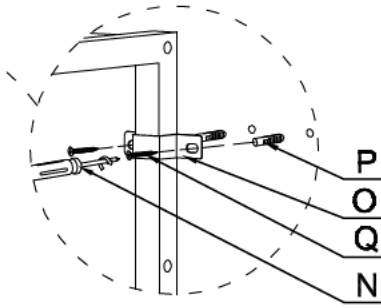
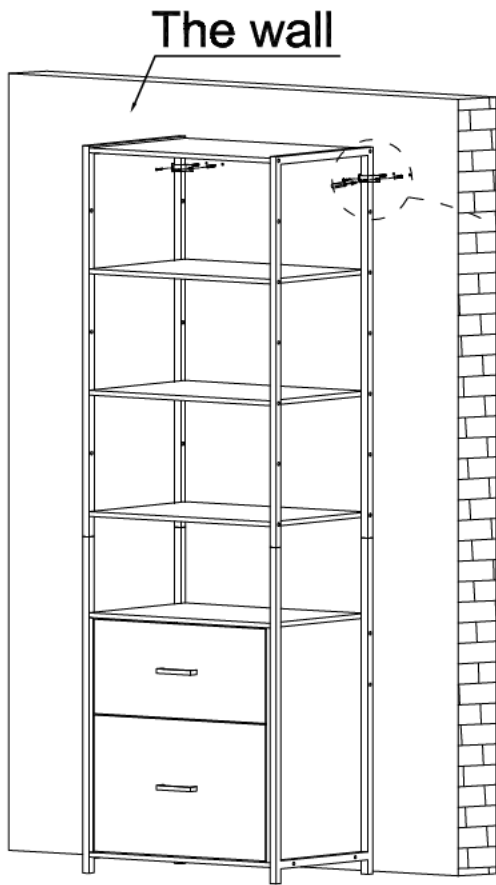






# 26



P16/17

# 27



- O  2PC
- P  4PC
- Q  4PC
- N  1PC

# 28

