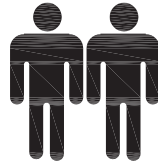


**4 CUBES 2 DRAWERS SHELVING**  
 ITEM CODE: G-0372  
**ASSEMBLY INSTRUCTION**

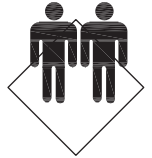
**1.0hr**

**APPROXIMATE ASSEMBLY TIME**

**2 PEOPLE ASSEMBLY**

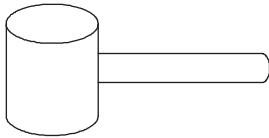


FLOOR AREA  
1Mx1M

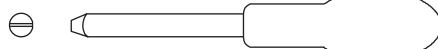


**REQUIRED ASSEMBLY SPACE**

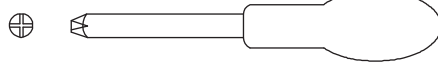
**REQUIRED ASSEMBLY TOOLS**



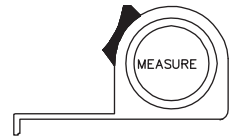
SOFT RUBBER HAMMER(Not Provided)



SLOTTED SCREWDRIVER(Not Provided)

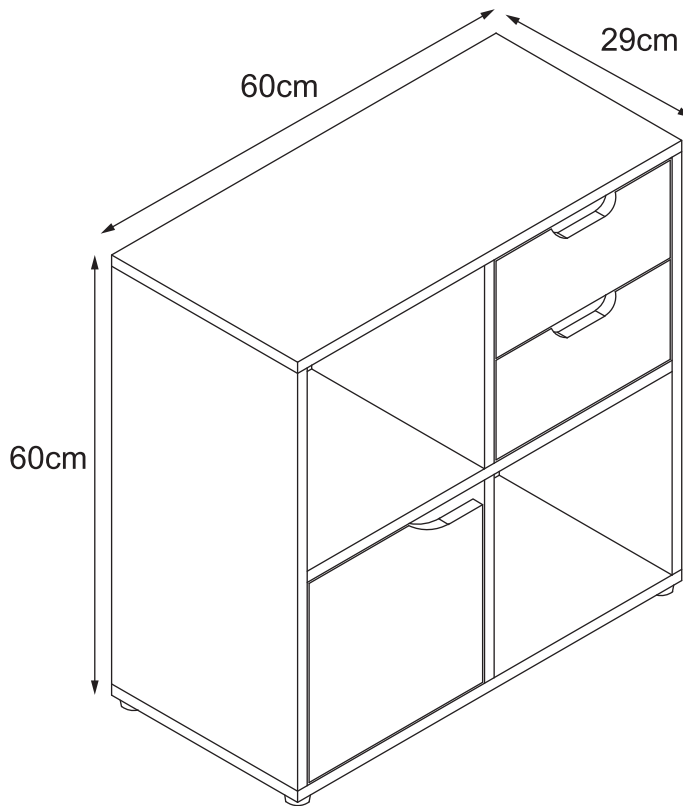


POZI SCREWDRIVER(Not Provided)



MEASURING TAPE (Not Provided)

**ASSEMBLED DIMENSIONS**



**Max. Loading: 20kg**

**1-10**

Made in China  
 Manufactured for Gill HK Limited BD4 9SW  
[www.gillhk.com](http://www.gillhk.com)

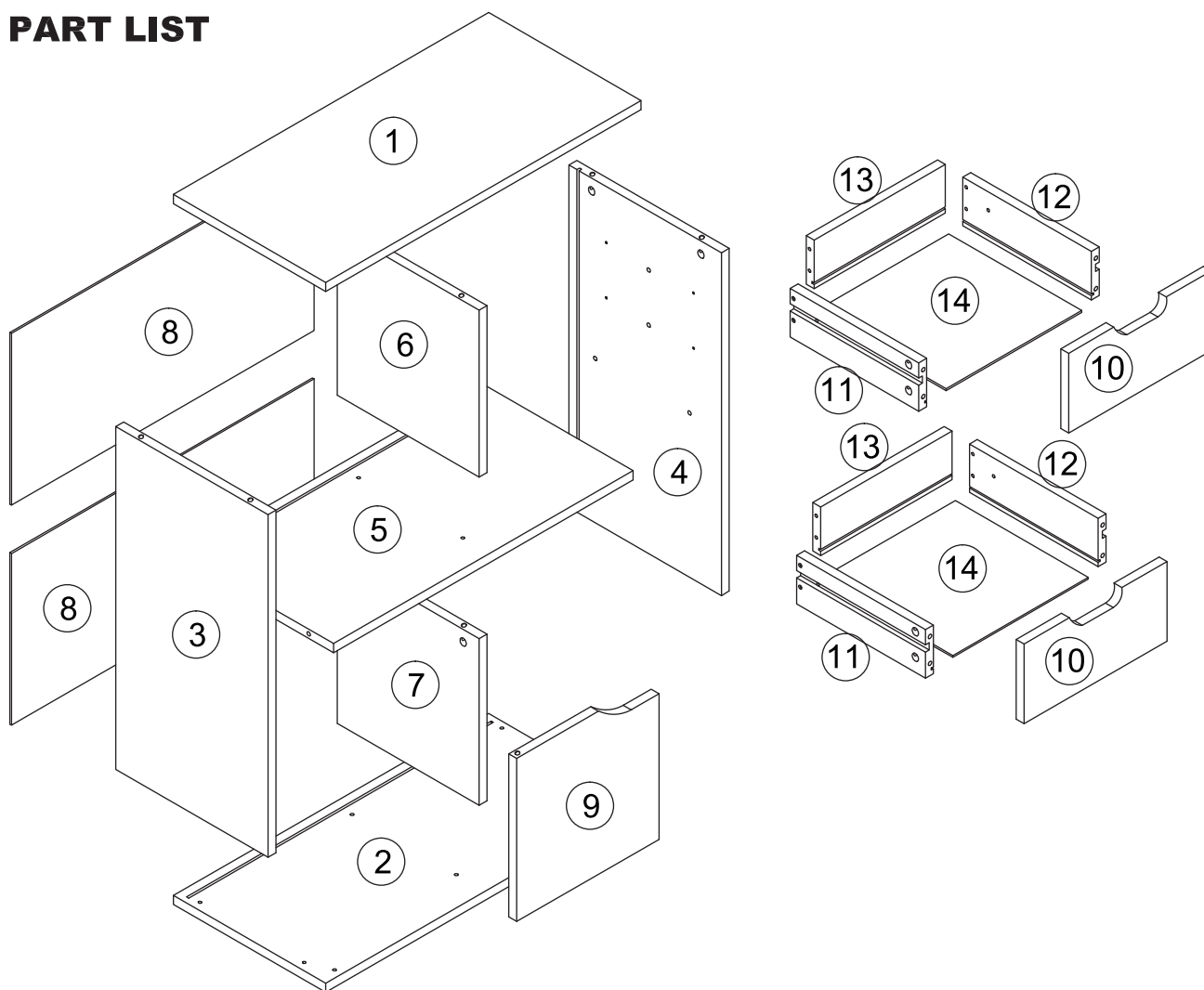
# 4 CUBES 2 DRAWERS SHELVING

ITEM CODE: G-0372

## ASSEMBLY INSTRUCTION

NO.	PART LIST	QTY	NO.	PART LIST	QTY
( 1 )	TOP PANEL	1	( 8 )	BACK PANEL	2
( 2 )	BOTTOM PANEL	1	( 9 )	DOOR	1
( 3 )	LEFT PANEL	1	( 10 )	DRAWER FRONT PANEL	2
( 4 )	RIGHT PANEL	1	( 11 )	DRAWER LEFT SIDE PANEL	2
( 5 )	INTERNAL PANEL	1	( 12 )	DRAWER RIGHT SIDE PANEL	2
( 6 )	VERTICAL PANEL	1	( 13 )	DRAWER BACK PANEL	2
( 7 )	VERTICAL PANEL	1	( 14 )	DRAWER BOTTOM PANEL	2

### PART LIST



Max. Loading: 20kg

2-10

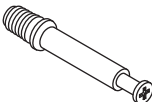
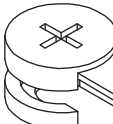

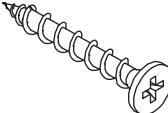
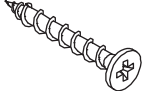
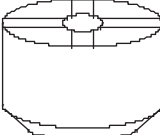
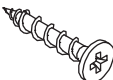
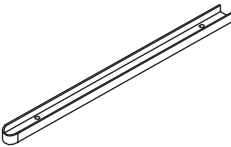


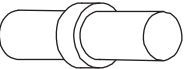
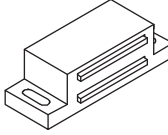
Made in China  
Manufactured for Gill HK Limited BD4 9SW  
www.gillhk.com

# 4 CUBES 2 DRAWERS SHELVING

ITEM CODE: G-0372

## ASSEMBLY INSTRUCTION

### HARDWARE LIST

<b>A</b>	x20	<b>B</b>	x20	<b>C</b>	x1	<b>D</b>	x8	<b>E</b>	x8
									
6X35mm		15X9.5mm				5X40mm		4X35mm	
PIN		CAM LOCK		MAGNET STRIP		SCREW		SCREW	
<b>F</b>	x4	<b>G</b>	x4	<b>H</b>	x4	<b>I</b>	x4	<b>J</b>	x11
									
FOOT PAD		4X20mm		DRAWER RUNNER		PIN		3X14mm	
SCREW								SCREW	
<b>K</b>	x2	<b>L</b>	x1						
									
DOOR PIN		MAGNET							

Max. Loading: 20kg

3-10

Made in China  
 Manufactured for Gill HK Limited BD4 9SW  
[www.gillhk.com](http://www.gillhk.com)

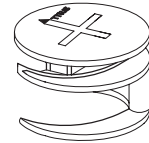
# 4 CUBES 2 DRAWERS SHELVING

ITEM CODE: G-0372

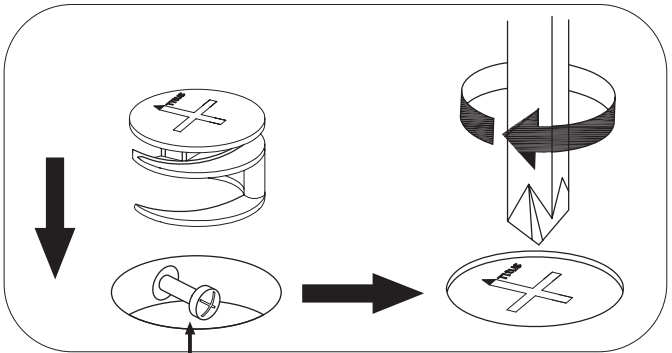
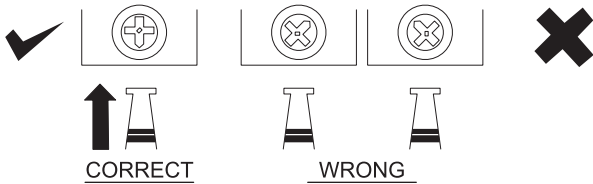
## ASSEMBLY INSTRUCTION

### SPECIAL TIPS FOR FITTING CAM-LOCKS AND QUICKFIT

CAM-LOCK



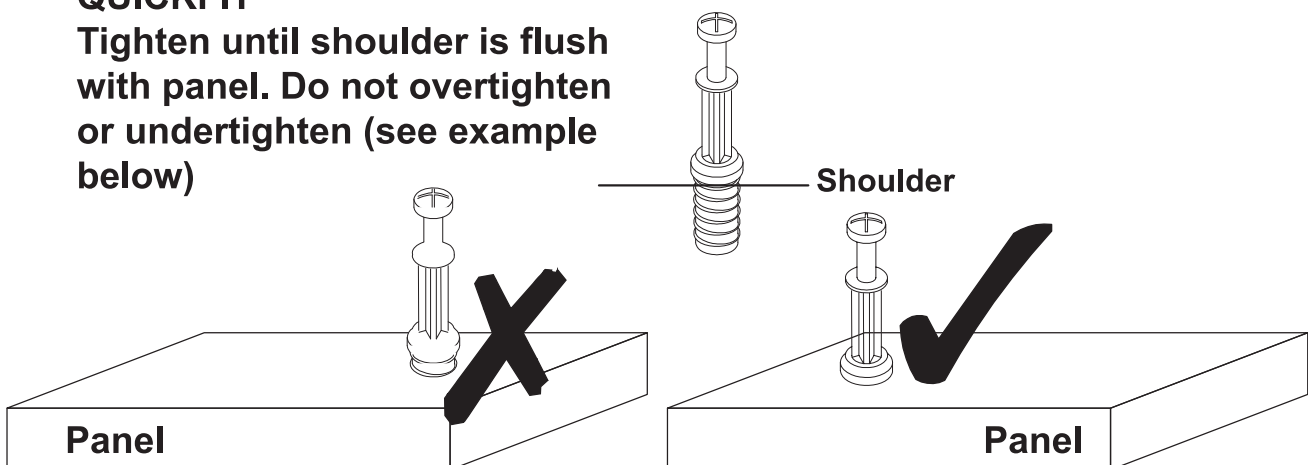
WHEN FITTING CAMLOCK  
ENSURE STARTING POSITION IS CORRECT  
BEFORE YOU INSERT CONNECTING QUICKFIT  
TURN CLOCKWISE UNTIL SECURE



Quickfit head needs to be in centre

#### QUICKFIT

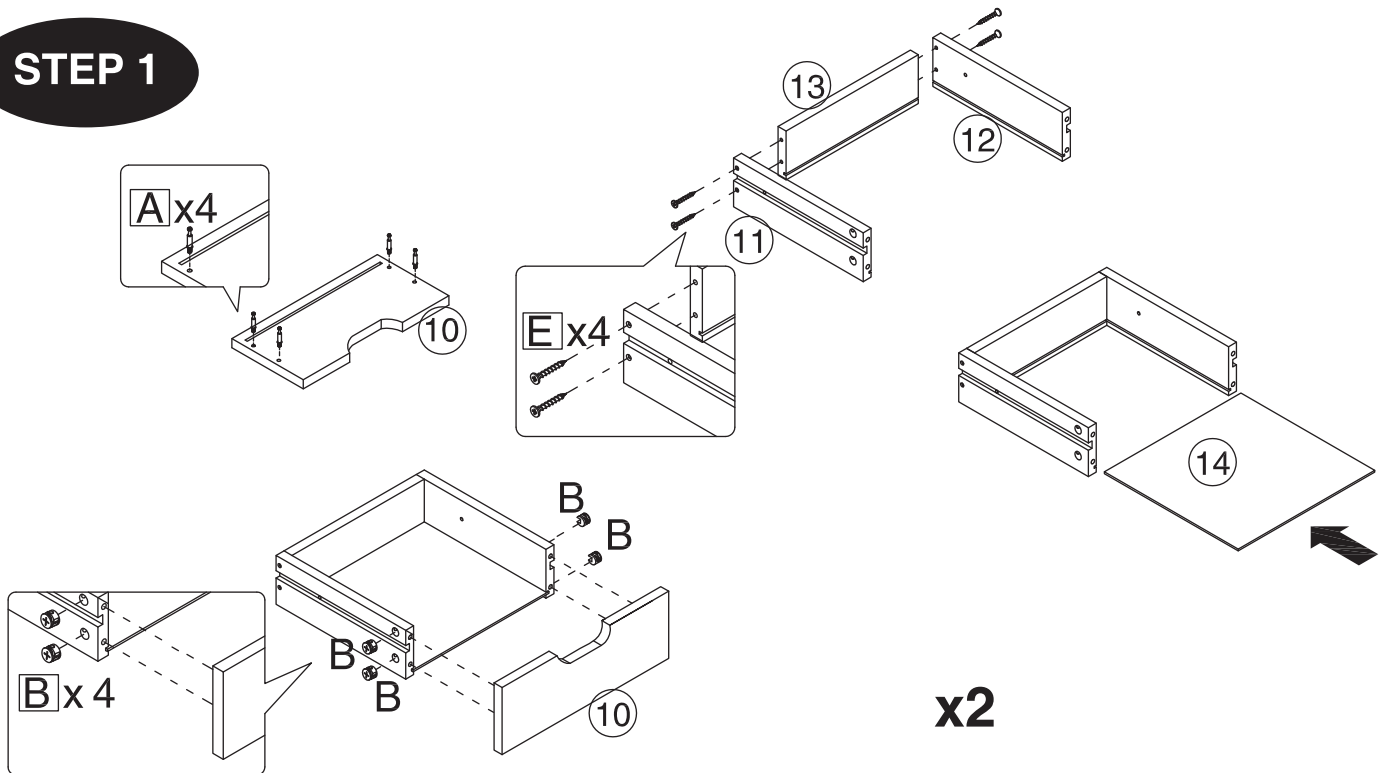
Tighten until shoulder is flush with panel. Do not overtighten or undertighten (see example below)



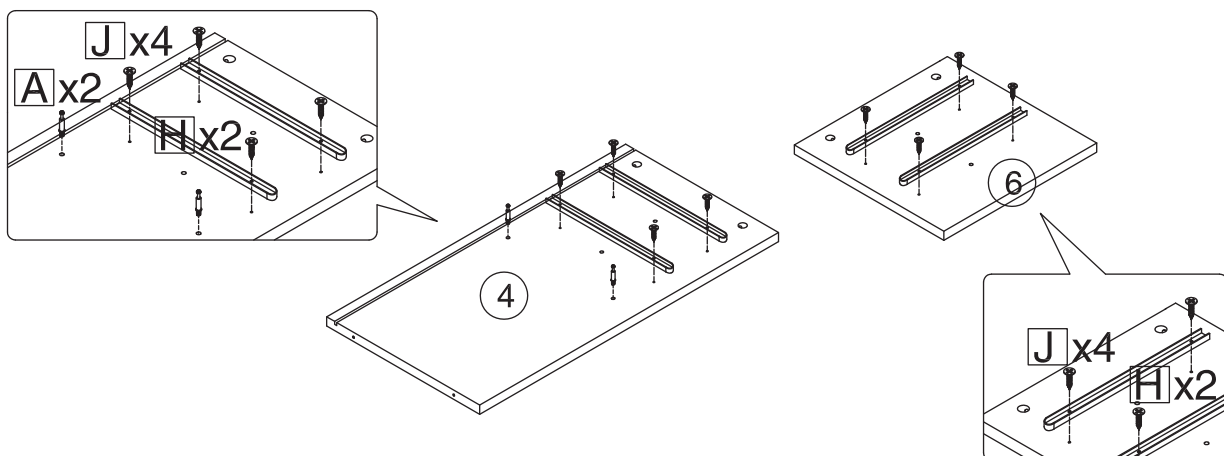
# 4 CUBES 2 DRAWERS SHELVING

ITEM CODE: G-0372  
ASSEMBLY INSTRUCTION

## STEP 1



## STEP 2



Max. Loading: 20kg

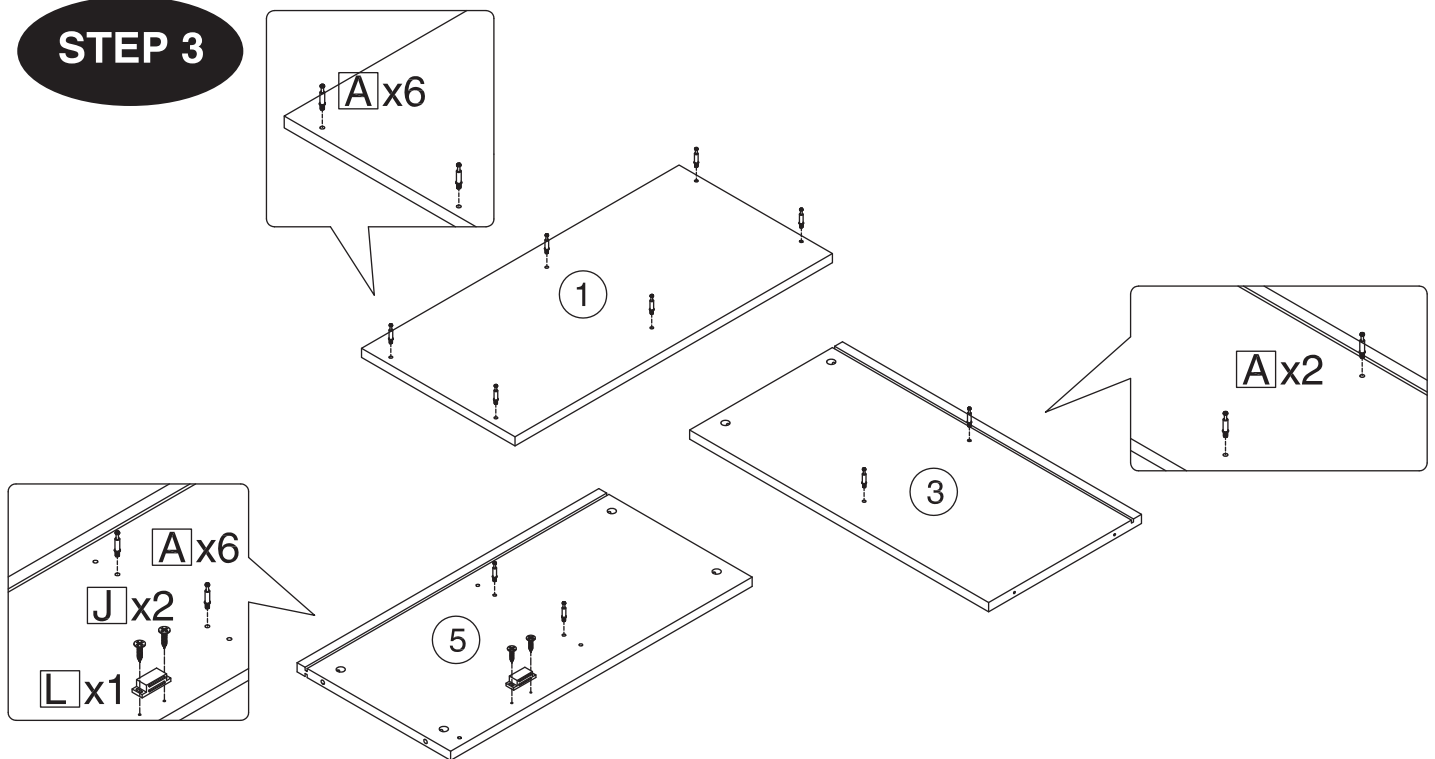
5-10

Made in China  
Manufactured for Gill HK Limited BD4 9SW  
www.gillhk.com

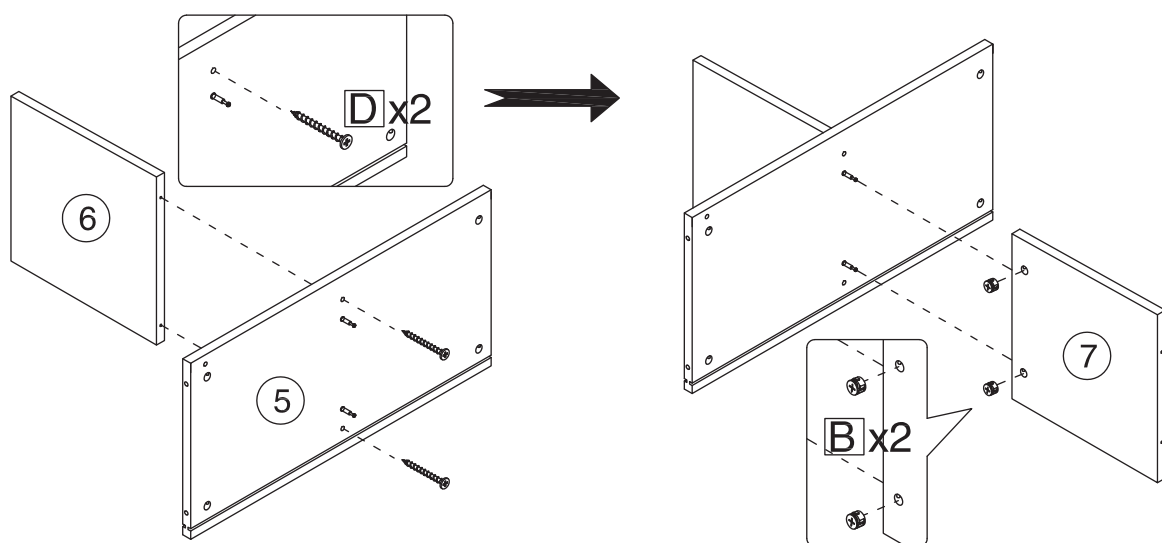
# 4 CUBES 2 DRAWERS SHELVING

ITEM CODE: G-0372  
ASSEMBLY INSTRUCTION

## STEP 3



## STEP 4



Max. Loading: 20kg

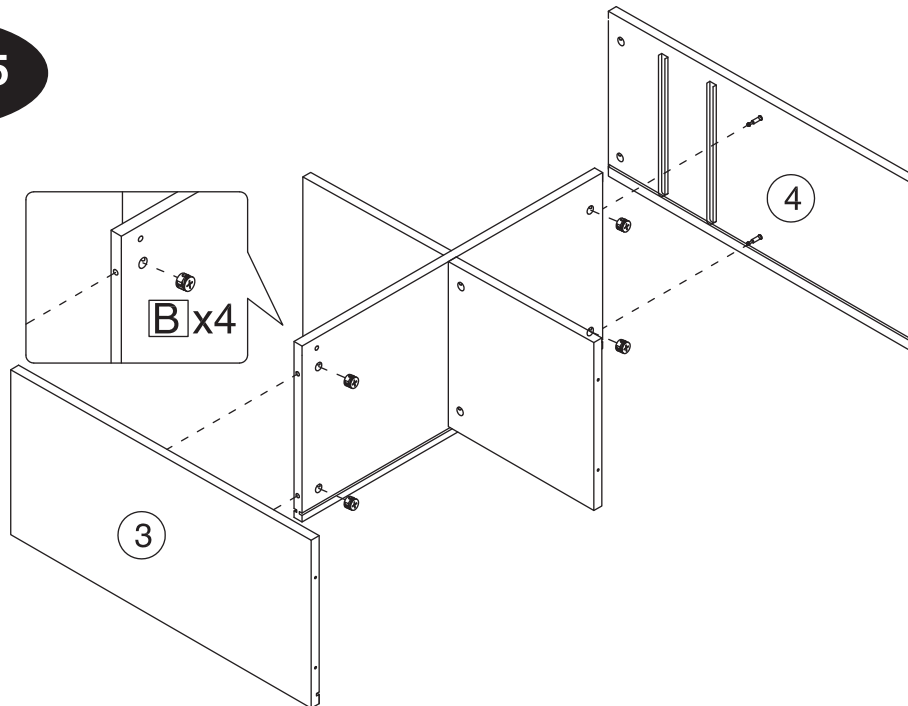
6-10

Made in China  
Manufactured for Gill HK Limited BD4 9SW  
www.gillhk.com

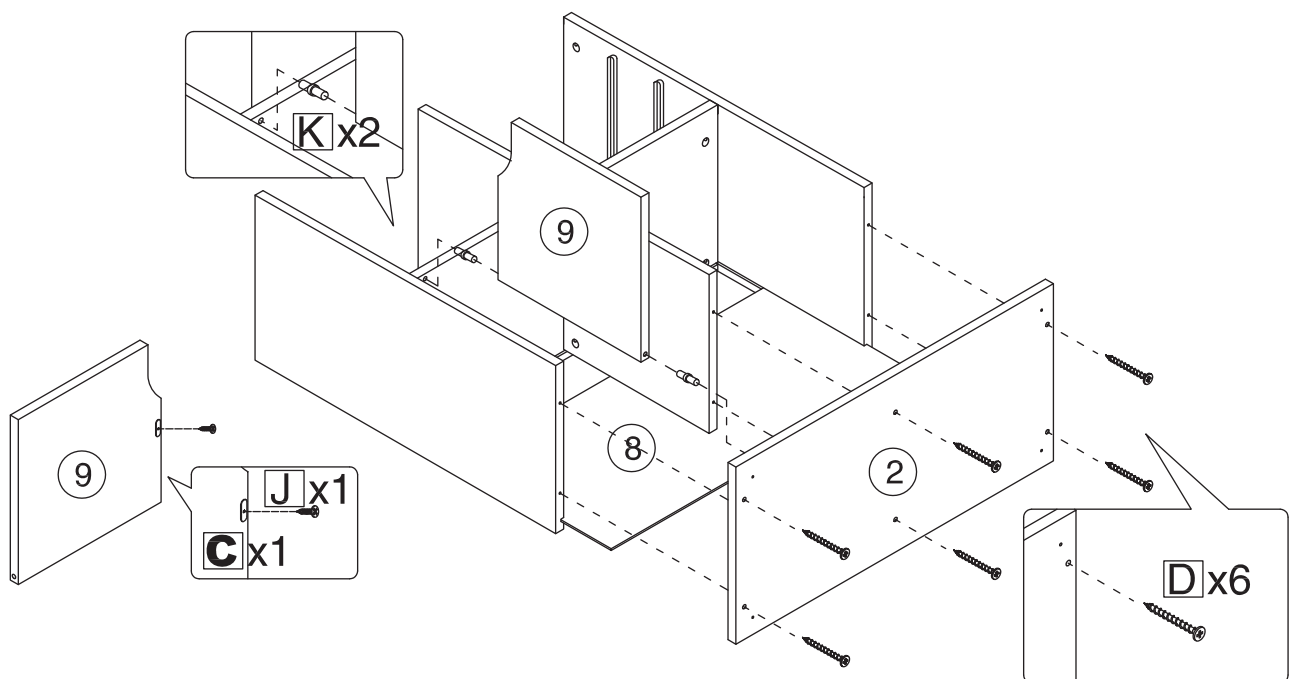
# 4 CUBES 2 DRAWERS SHELVING

ITEM CODE: G-0372  
ASSEMBLY INSTRUCTION

## STEP 5



## STEP 6



Max. Loading: 20kg

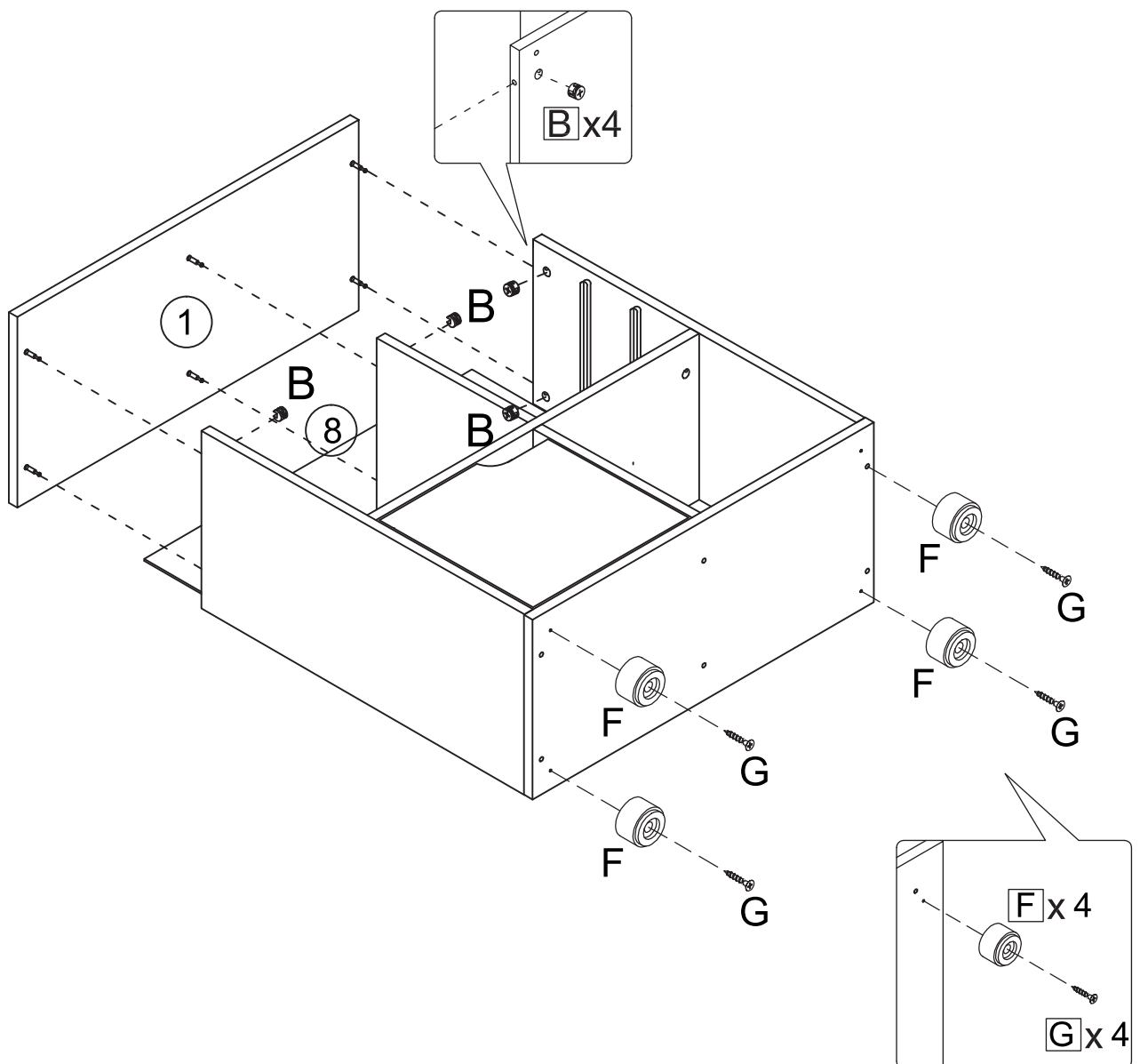
7-10

Made in China  
Manufactured for Gill HK Limited BD4 9SW  
www.gillhk.com

# 4 CUBES 2 DRAWERS SHELVING

ITEM CODE: G-0372  
ASSEMBLY INSTRUCTION

## STEP 7



Max. Loading: 20kg

8-10

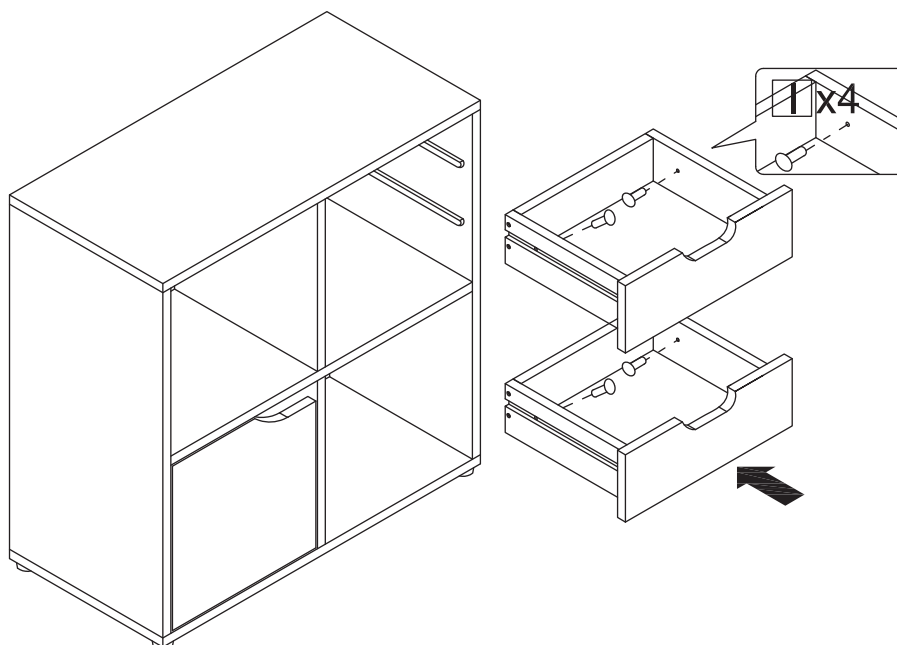
Made in China  
Manufactured for Gill HK Limited BD4 9SW  
www.gillhk.com

# 4 CUBES 2 DRAWERS SHELVING

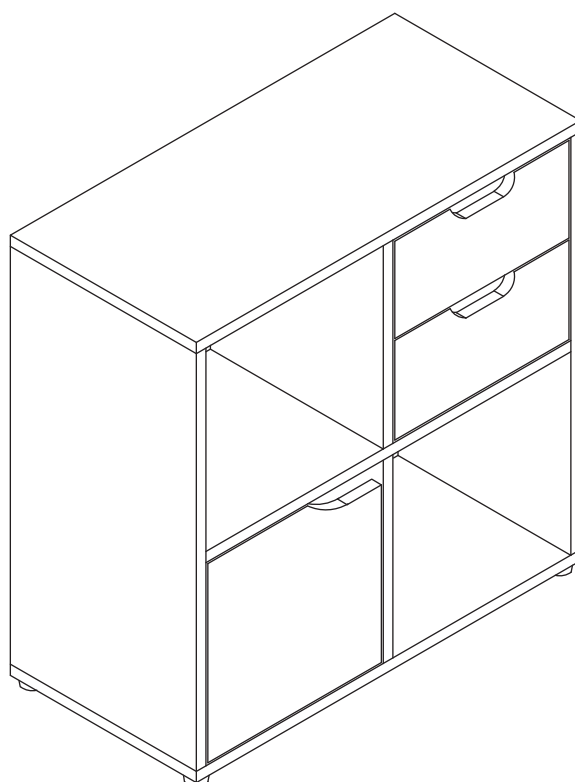
ITEM CODE: G-0372

## ASSEMBLY INSTRUCTION

### STEP 8



### STEP 9



Max. Loading: 20kg

9-10

Made in China  
Manufactured for Gill HK Limited BD4 9SW  
www.gillhk.com

# 4 CUBES 2 DRAWERS SHELVING

## ITEM CODE: G-0372

### ASSEMBLY INSTRUCTION



#### Safety Advice and Care Advice

KEEP ALL THE SAFETY ADVICE AND INSTRUCTIONS IN A SAFE PLACE FOR FUTURE REFERENCE!

**⚠ WARNING! RISK OF LOSS OF LIFE OR ACCIDENT TO INFANTS AND CHILDREN!** Never leave children unsupervised with the packaging materials. Danger of suffocation.

**⚠ CAUTION! RISK OF INJURY!** Make sure that all parts are undamaged and assembled correctly. Improper assembly carries a risk of injury. Damaged parts may affect the safety and function of the product.

- Make sure that this product is standing on a solid, level surface.

**⚠ CAUTION!** Do not leave children unsupervised! The product is not a climbing frame or a toy! Make sure that nobody, especially a child, climbs on or leans against the product.

- Distribute weight evenly across the product so that it cannot overturn.
- Do not load more than a total of 20kg onto the product, otherwise there is a risk of injury and/or damage to the product.
- Check that the product is stable before using it.
- Do not lift or move the product when it is loaded.
- Keep away from fire and inflammable objects.
- **Wipe clean with a damp cloth.**
- Make sure that all screws and fixings are secure before use.
- Do not place very hot or very cold items on the surface(s) unless adequately thick table mats are used.
- Please periodically check all fittings and re-tighten as necessary.
- Domestic use only.