

ASSEMBLING INSTRUCTION

A
x1PC



B
x1PC



C
x1PC



D
x1PC



E
x6PC



M8x30

F
x6PC



M8x18x1.5

G
x8PC



M6x35

H
x8PC



M6x18x2

I
x8PC

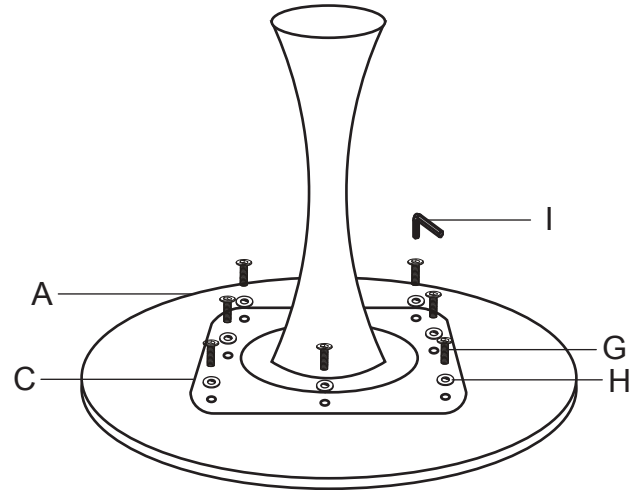
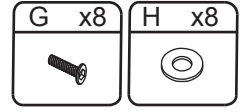
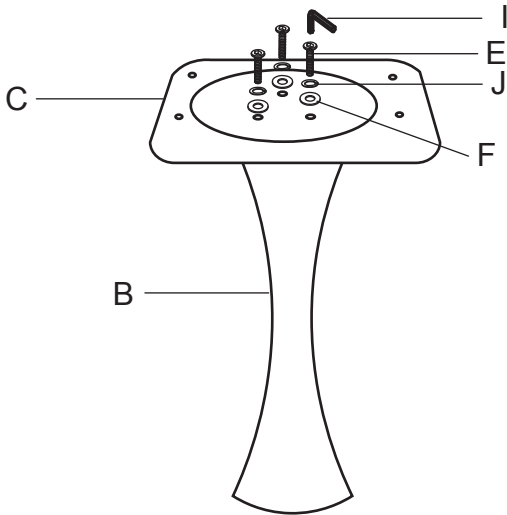
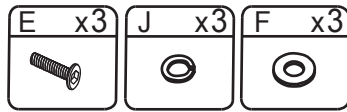


5#

J
x8PC

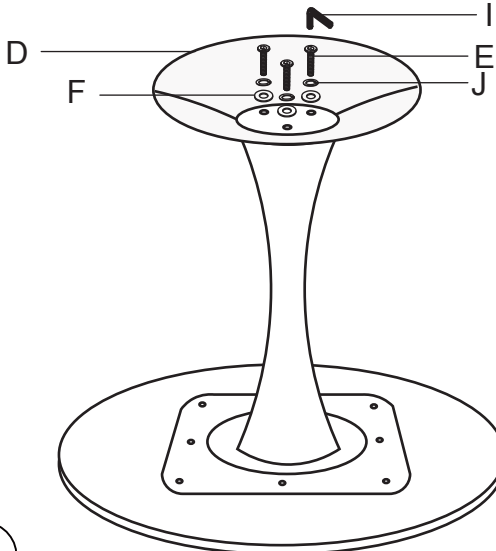
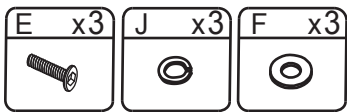


M8



1

2



3

4