








SW8001-DB-BASE - CABO DAYBED - BASE FRAME
SW8001-DB-TOP - CABO DAYBED - TOP CANOPY Assembly Instructions





Thank you for purchasing this quality product. Be sure to unpack carefully looking for small parts which may have come loose during shipment.

Read all instruction and study the drawing carefully before starting the assembly process.

HARDWARE PACK

NO.	DRAWING	DESCRIPTION	SIZE	Q'TY
A		Adjustable Glide	Dia 30mm L 20mm	8
B		Bolts	Dia 6mm L 80mm	9
C		Bolts	Dia 6mm L 60mm	4
D		Nuts	Dia 6mm	13
E		Washers	Dia 6mm	26
F		Wrench - No. 10		1
G		Hexagon key - 4mm		1

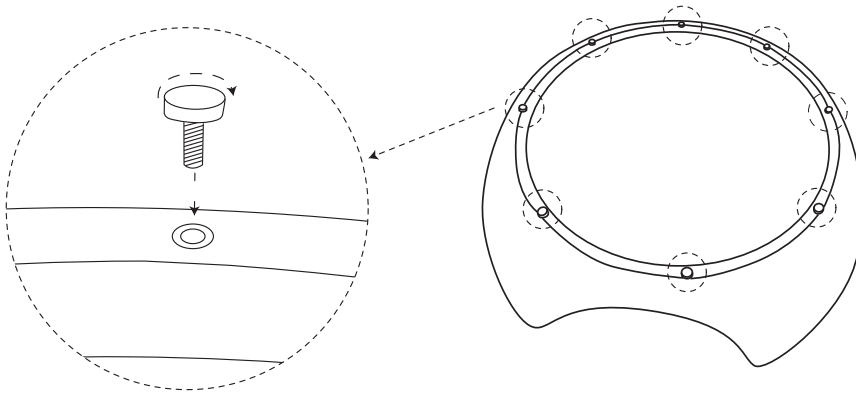
PART LIST

NO.	DRAWING	DESCRIPTION	Q'TY
1		Left Canopy	1
2		Right Canopy	1
3		Center Canopy	1
4		Seat Base	1

SW8001-DB-BASE - CABO DAYBED - BASE FRAME
SW8001-DB-TOP - CABO DAYBED - TOP CANOPY Assembly Instructions

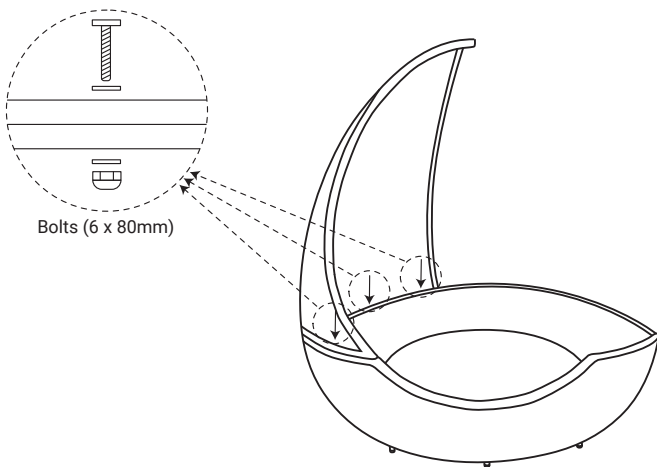
Thank you for purchasing this quality product. Be sure to unpack carefully looking for small parts which may have come loose during shipment.
Read all instruction and study the drawing carefully before starting the assembly process.

STEP 1/4



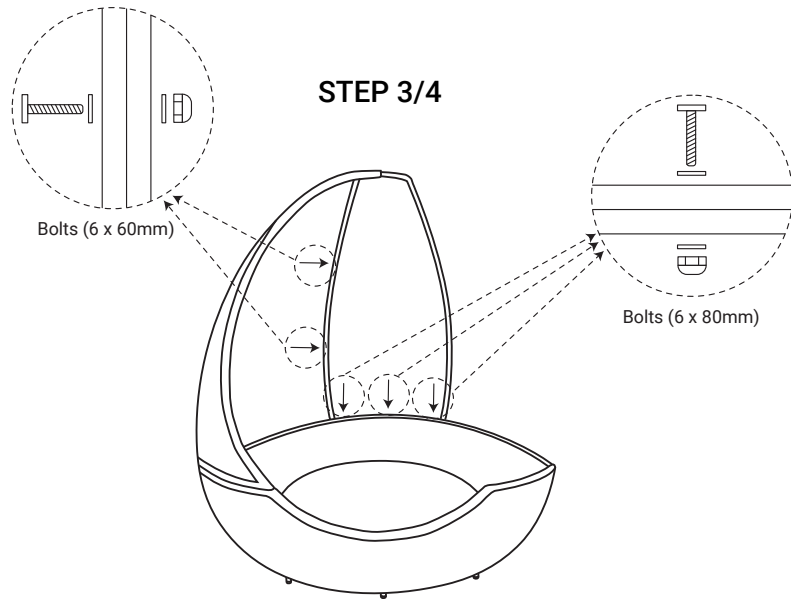
Flip the seat base over and screw the adjustable feet into the seating frame

STEP 2/4



Attach the left canopy to the seat base

STEP 3/4



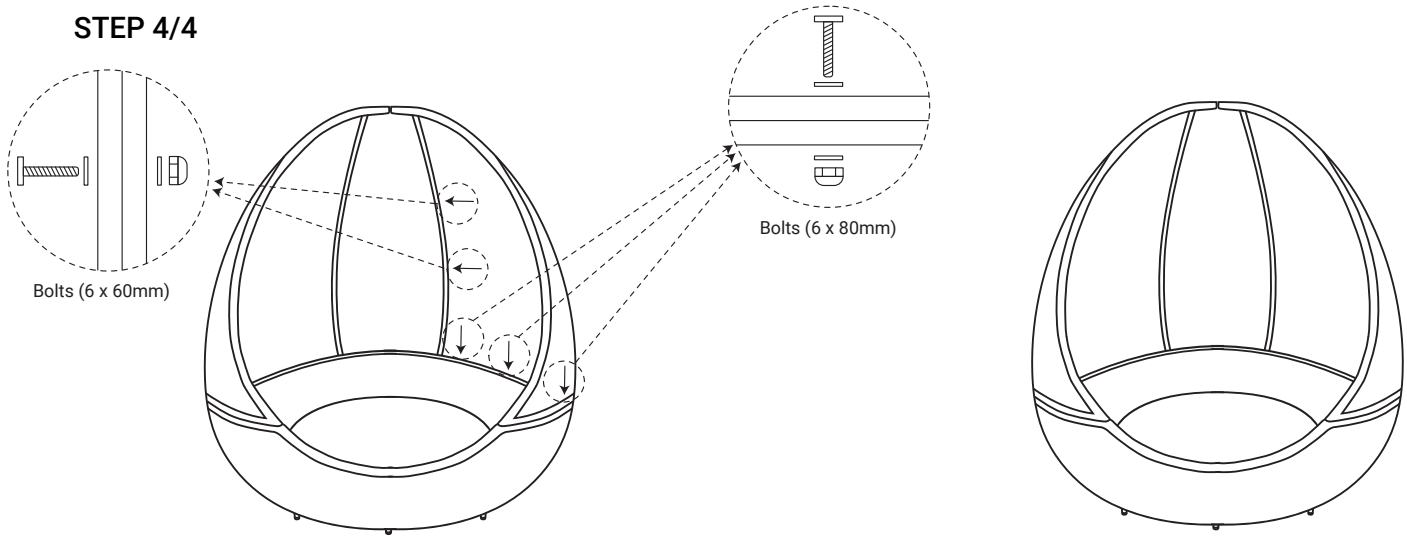
Attach the center canopy to the seat base

ASSEMBLY INSTRUCTION:

SW8001-DB-BASE - CABO DAYBED - BASE FRAME
SW8001-DB-TOP - CABO DAYBED - TOP CANOPY Assembly Instructions

Thank you for purchasing this quality product. Be sure to unpack carefully looking for small parts which may have come loose during shipment.
Read all instruction and study the drawing carefully before starting the assembly process.

STEP 4/4



Attach the right canopy to the seat base

Finished

Congratulations, you have just finished building your own Daybed

ASSEMBLY INSTRUCTION: