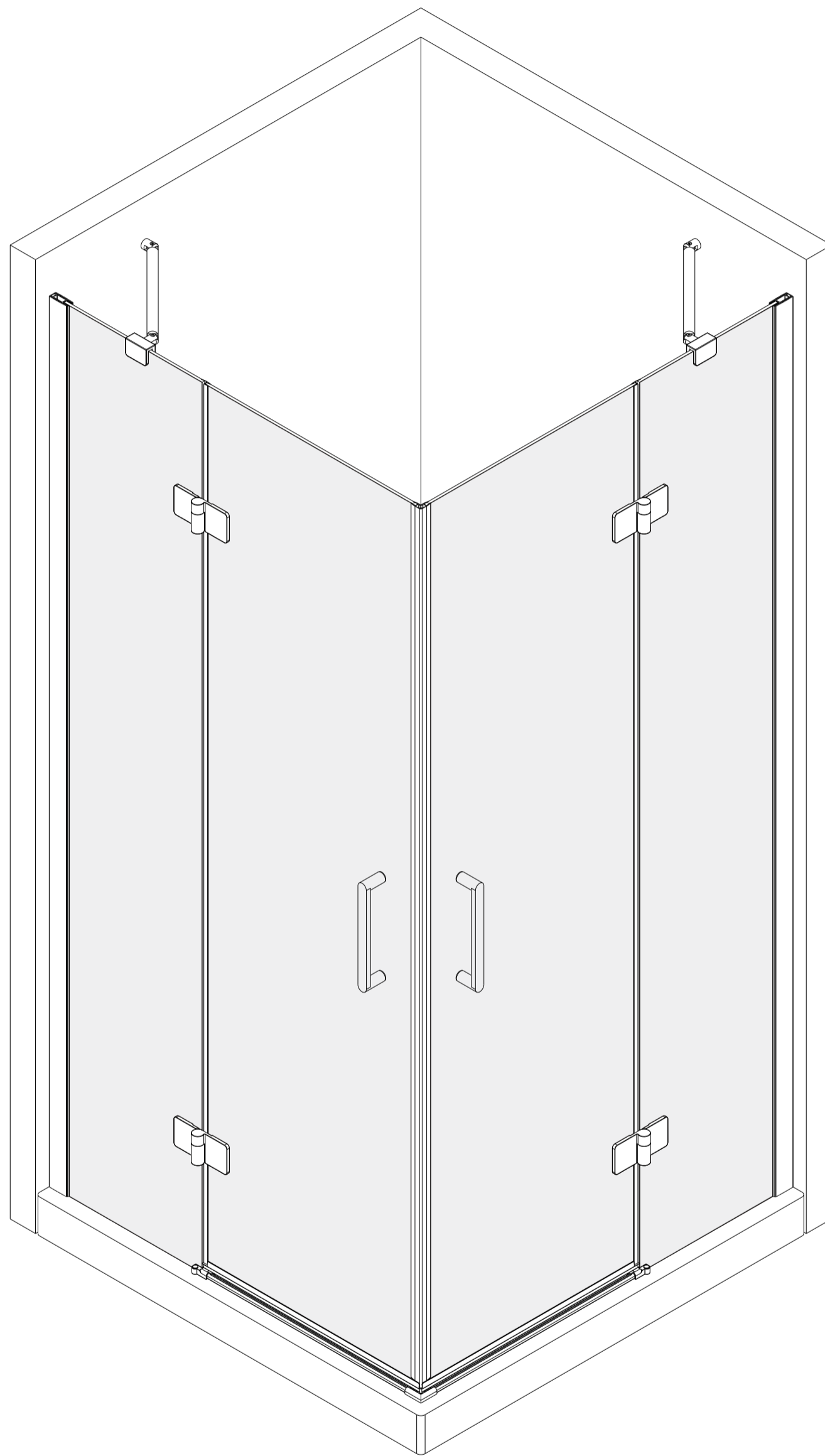


Serial Number: SDE04-22
R 1.0

Shower Door Installation Instructions



**Please do not return the product to the store.
Contact us with any questions.**

Model Specific Preparation

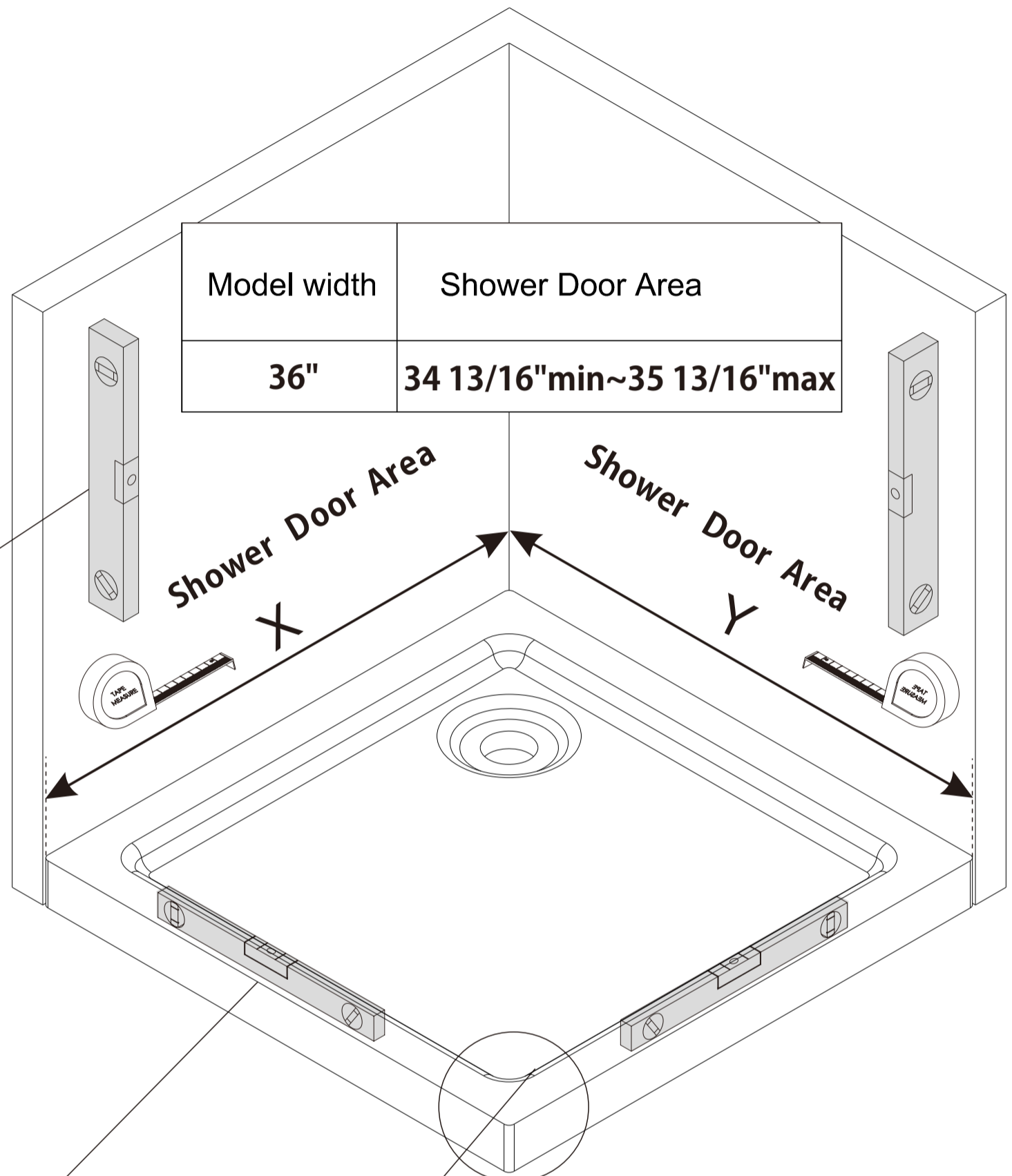
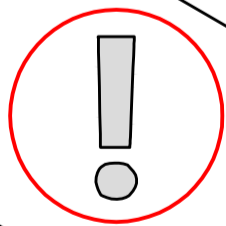


REQUIRED:

Verify threshold and wall with a level.

1/4" (6mm) Maximum out of plumb adjustment from top to bottom

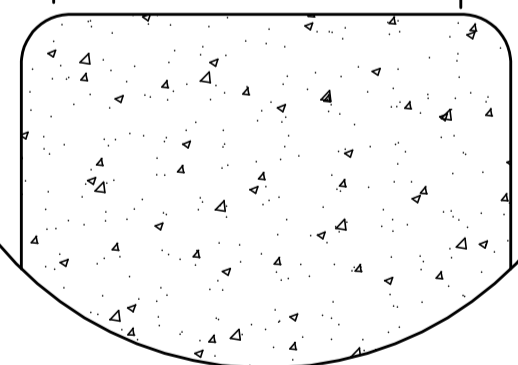
Threshold must be level.



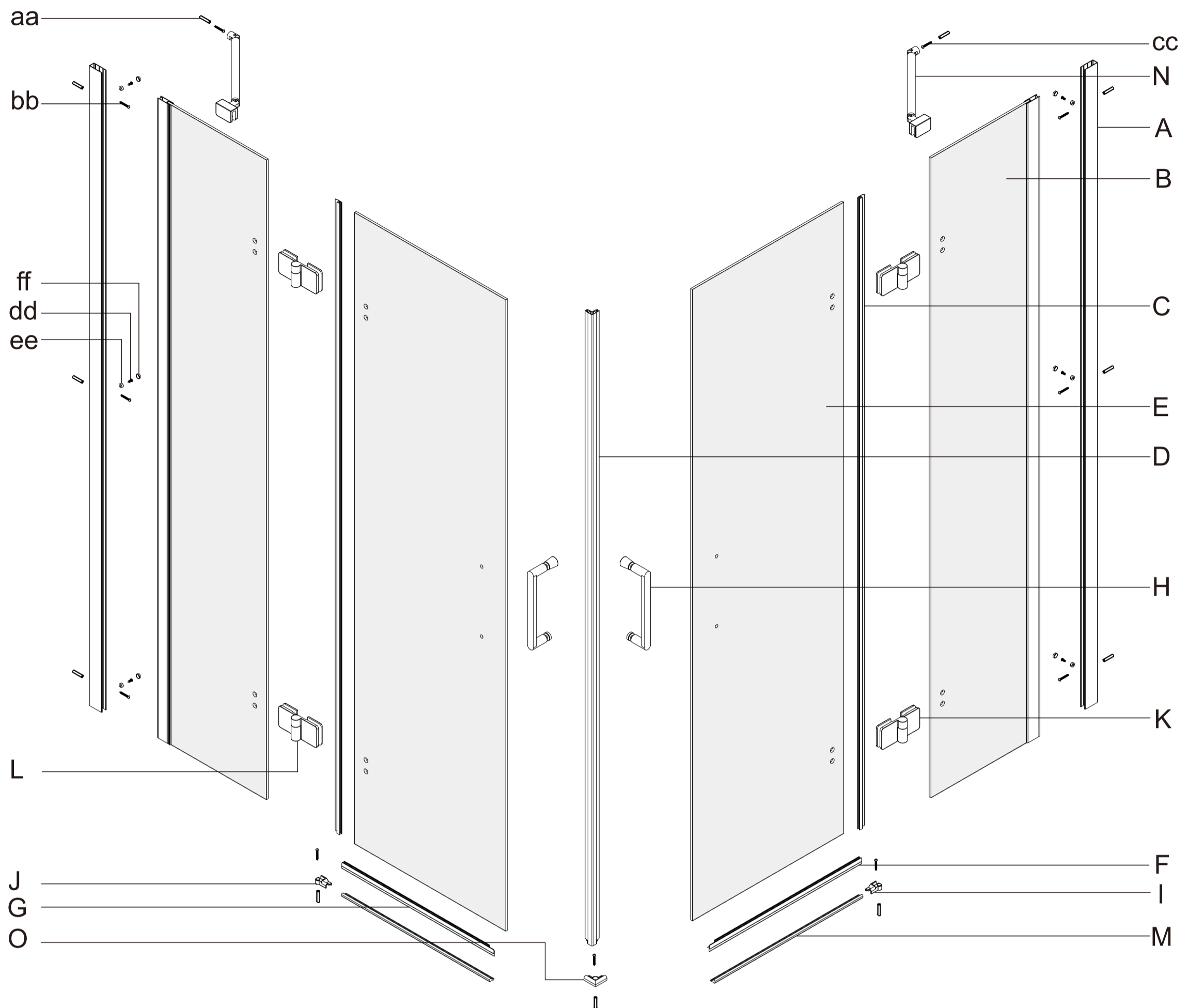
Model width	Shower Door Area
36"	34 13/16"min~35 13/16"max

2 3/4"
(70mm)
minimum
threshold

2 3/4"
minimum
threshold



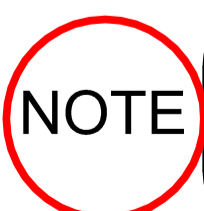
PACKAGE CONTENT



PACKAGE CONTENT

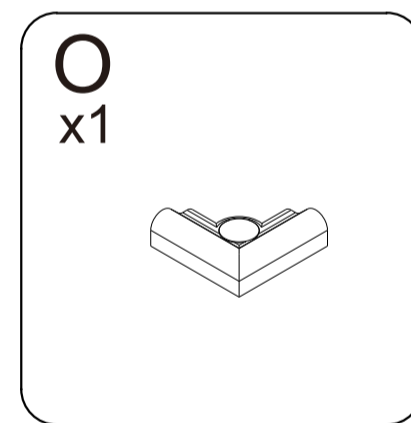
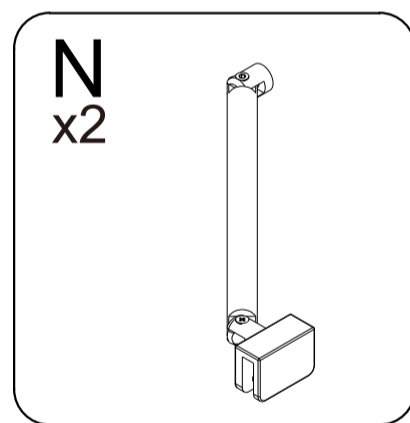
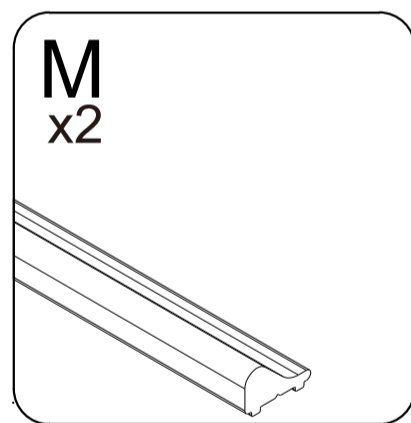
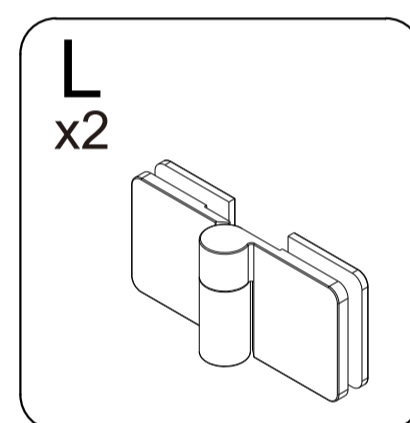
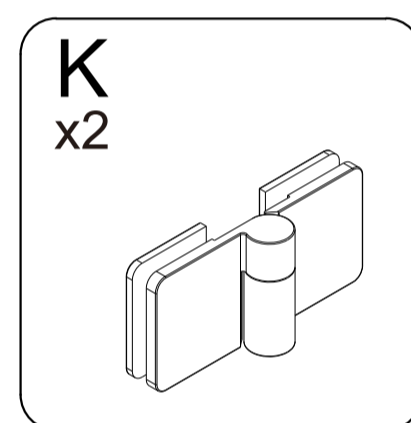
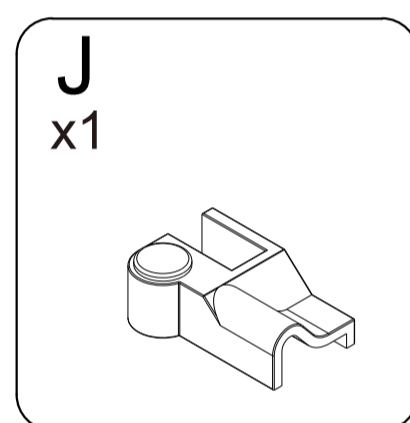
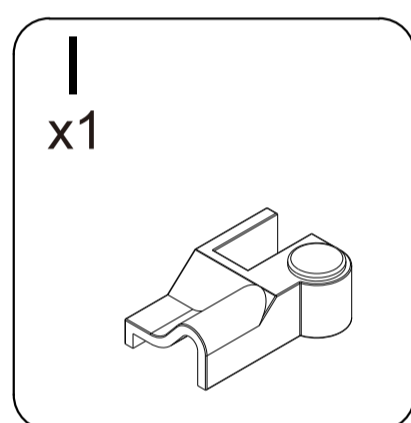
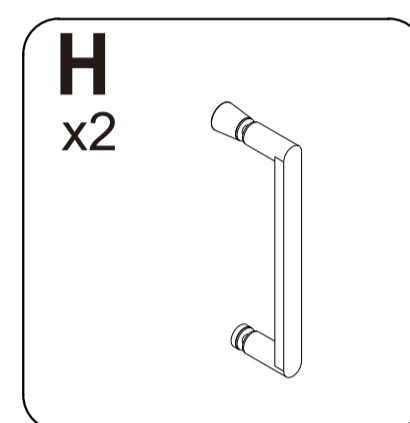
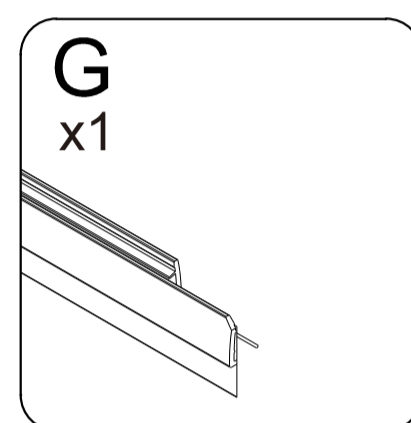
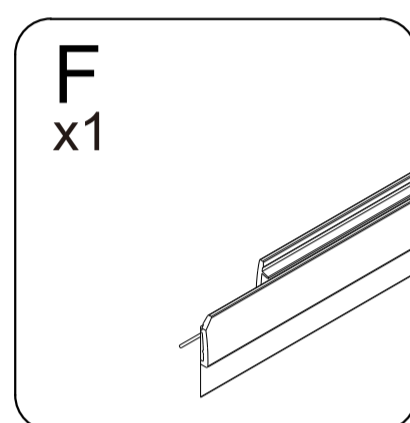
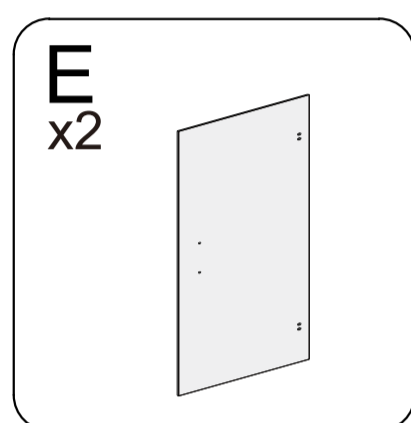
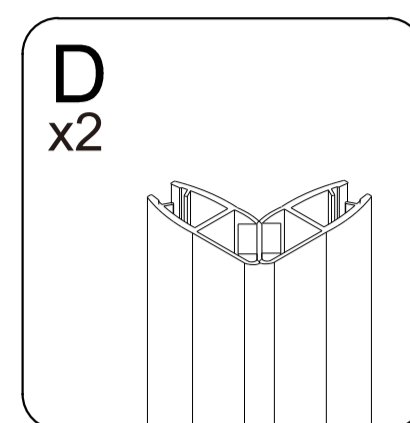
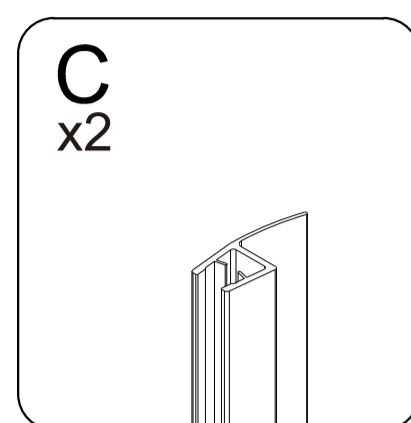
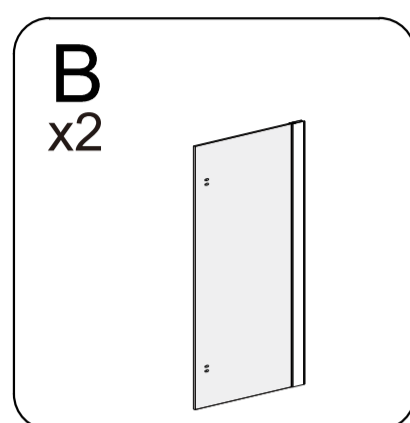
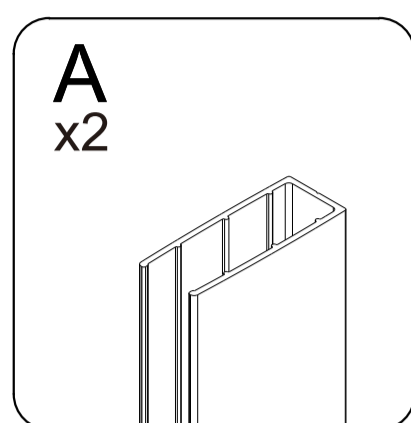
PART#	DESCRIPTION	QTY
A	Wall Jamb	2
B	Stationary Glass	2
C	Anti-Water Strip	2
D	Magnetic Strip	2
E	Glass door	2
F	Bottom Anti-Water Strip(R)	1
G	Bottom Anti-Water Strip(L)	1

PART#	DESCRIPTION	QTY
H	Handle	2
I	180° connector(R)	1
J	180° connector(L)	1
K	Hinge(R)	2
L	Hinge(L)	2
M	Alu. Threshold	2
N	Pull rod	2
O	90° connector	1



**Inspect all parts for missing prior to installation!
Contact us for any part missing.**

PACKAGE CONTENT

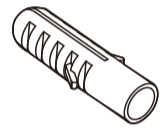


HARDWARE CONTENT



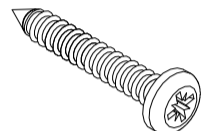
Additional spare parts are included.

aa



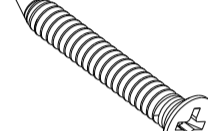
Screw anchor
Ø6x28mm
13 pcs

bb



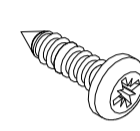
Metric Screw
ST4X30mm
10 pcs

cc



Screw
ST4X30mm
3 pcs

dd



Metric Screw
ST4X10mm
6 pcs

ee



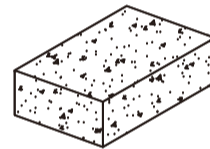
Washer
Φ10XΦ5X1.0
6 pcs

ff



Screw cap
6 pcs

gg



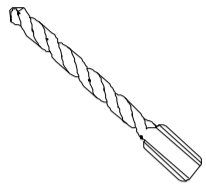
Plastic spacer
2 pcs

NOTE

Inspect all parts for missing prior to installation!
Contact us for any part missing.

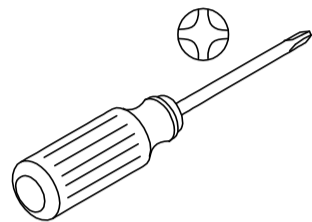
TOOLS REQUIRED

Drill Bits

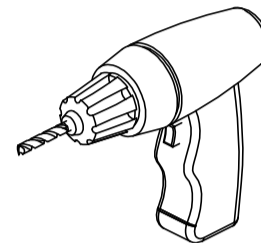


Ø1/8" & Ø1/4" (3&6mm) dia.
HSS

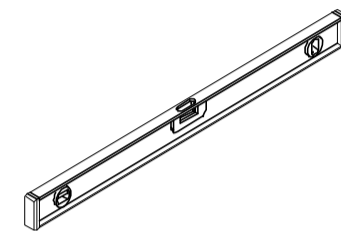
Phillips screw driver



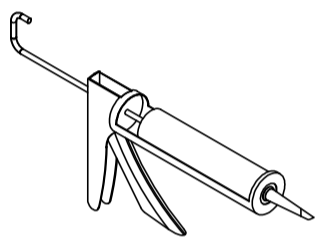
Electric hand drill



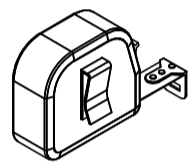
Level



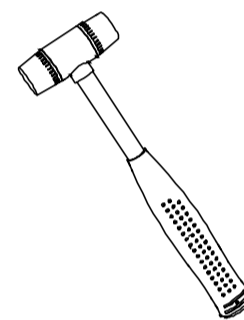
Silicone gun



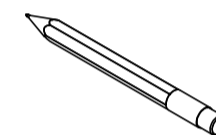
Measuring Tape



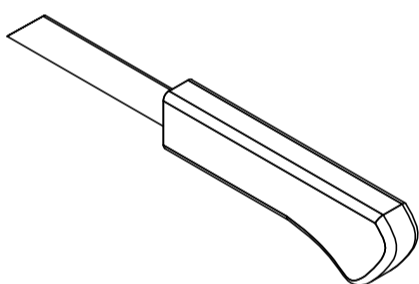
Soft Head Hammer



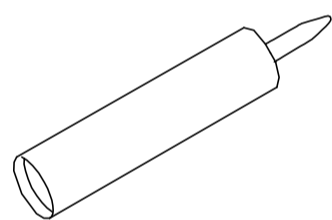
Marking Pencil



Utility Knife



Sealant



MASONRY DRILL BIT FOR TILE
Ø6mm



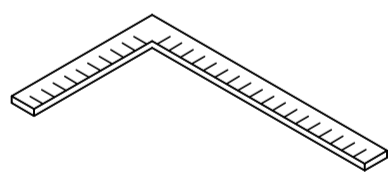
Safety Glasses



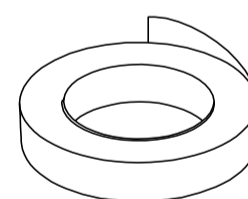
Glove



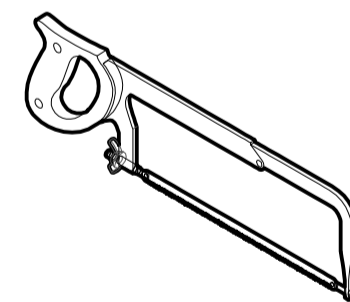
Carpenter's Squarer



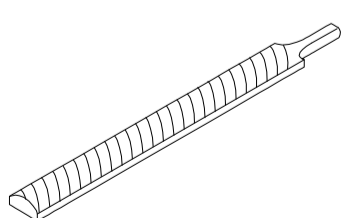
Masking or painter's tape



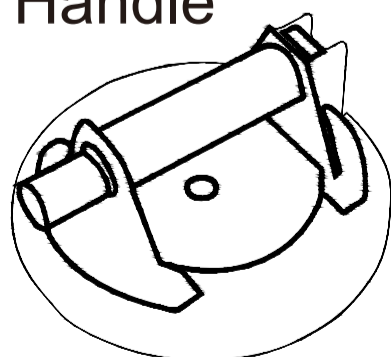
Hack Saw



Metal File



Glass suction Handle



SAFETY INFORMATION

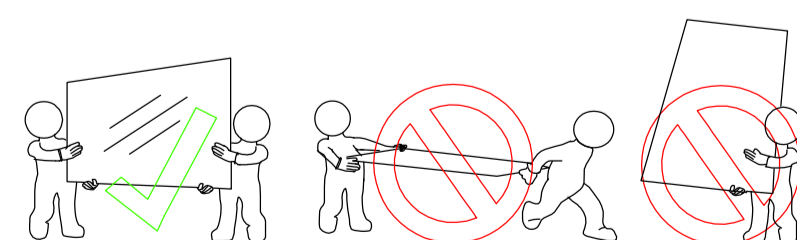
CAUTION

Please carefully read the following important safety information before handling or installing this shower door . There is a risk of serious injury while handling this product.

To minimize these risks, please note:

- Always wear safety glasses and gloves while handling.
- Always follow the installation instructions.
- Inspect glass for damage before installation.
- Extreme caution should be taken while handling the glass during installation as the tempered glass may shatter if in contact with a hard surface.
- Do not cut or modify the tempered glass as it will shatter if cut.
- Carefully remove product from packaging and keep packaging until installation is complete.
- Inspect all parts for damage or missing; if there is damage or part missing to the unit prior to installation, please contact customer service at the number provided in this guide.
- Cover the drain with tape to prevent the loss of small parts.
- The shower base and finished walls should be installed before beginning the shower door installation.
- During the installation,protect the shower floor with a drop cloth to avoid damage.
- This product should be installed by two people who are familiar with construction requirements.Professional installation is recommended!
- Keep this installation manual for future reference.

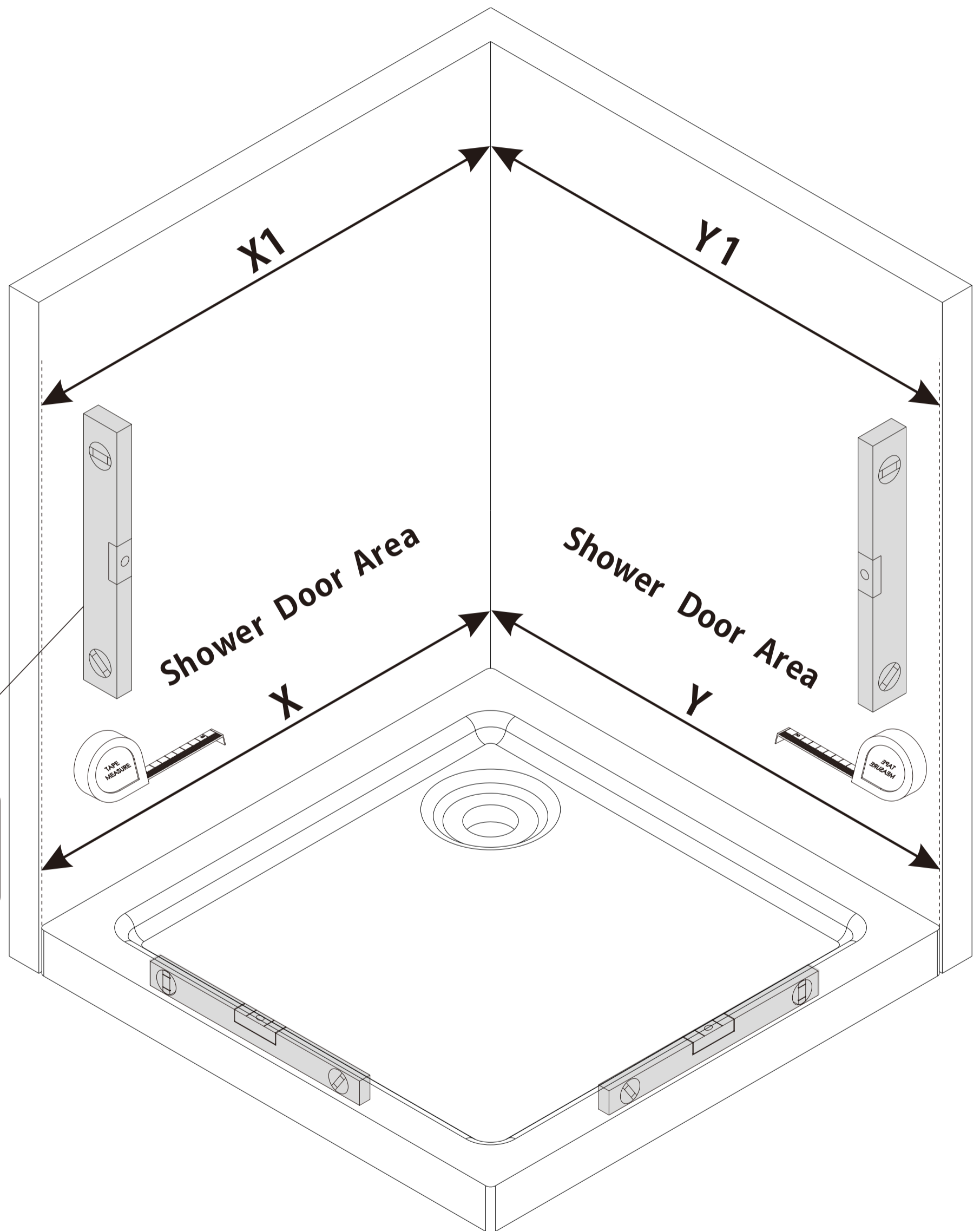
NOTE: Two people should perform this installaton.



1 Measure the finished opening width.

NOTE

1. Measure the finished opening width at the bottom and at the model height.
2. Also check the threshold for level and the walls for plumb.



1/4"(6mm) Maximum out of plumb adjustment from top to bottom

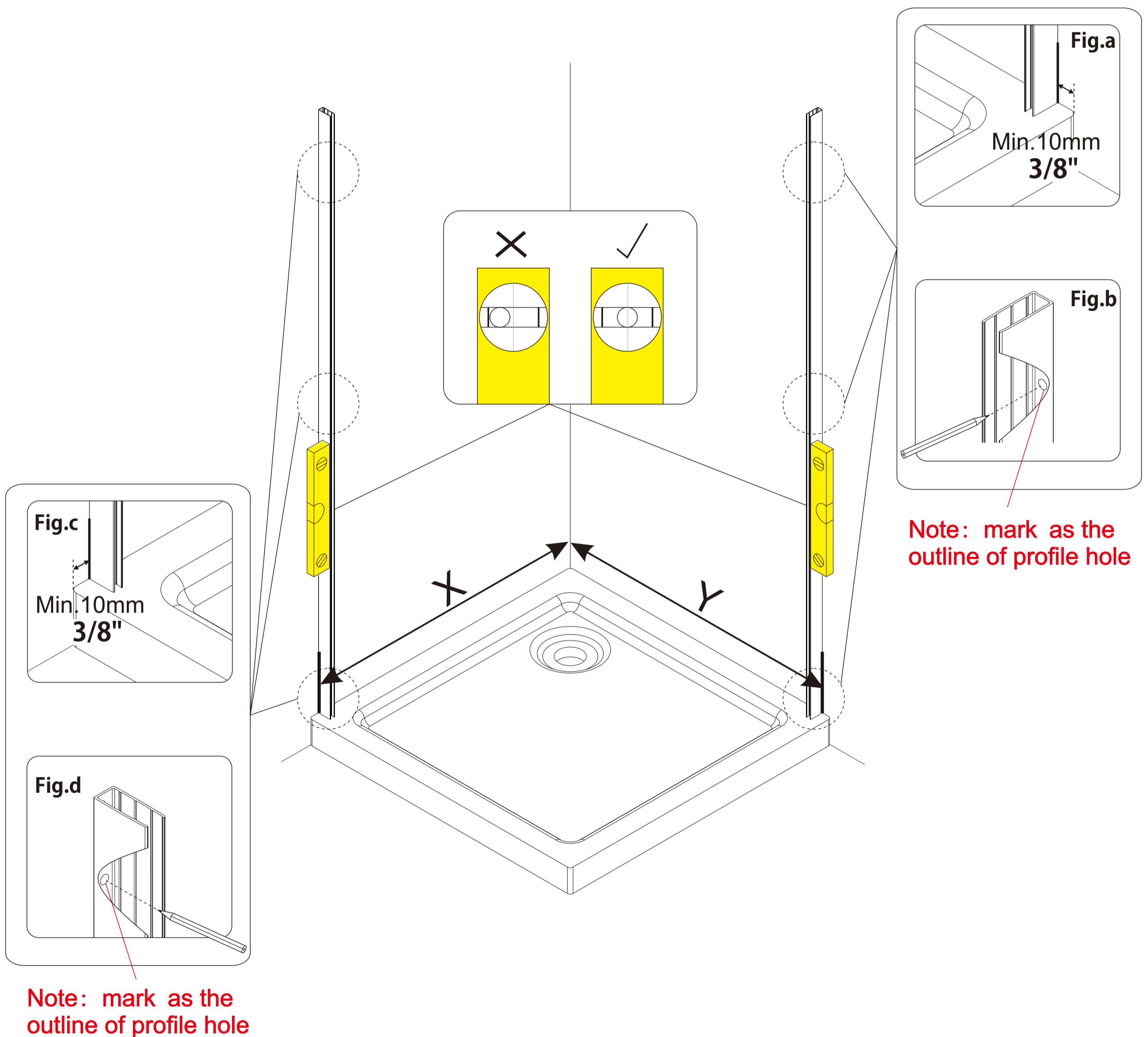


_____ Finished opening difference (X1)&(X) within 1/4"(6mm)
 _____ Finished opening difference (Y1)&(Y) within 1/4"(6mm)

2 Determine your step in from the edge of tray and plumb your **Wall Jambs(A)**.

NOTE

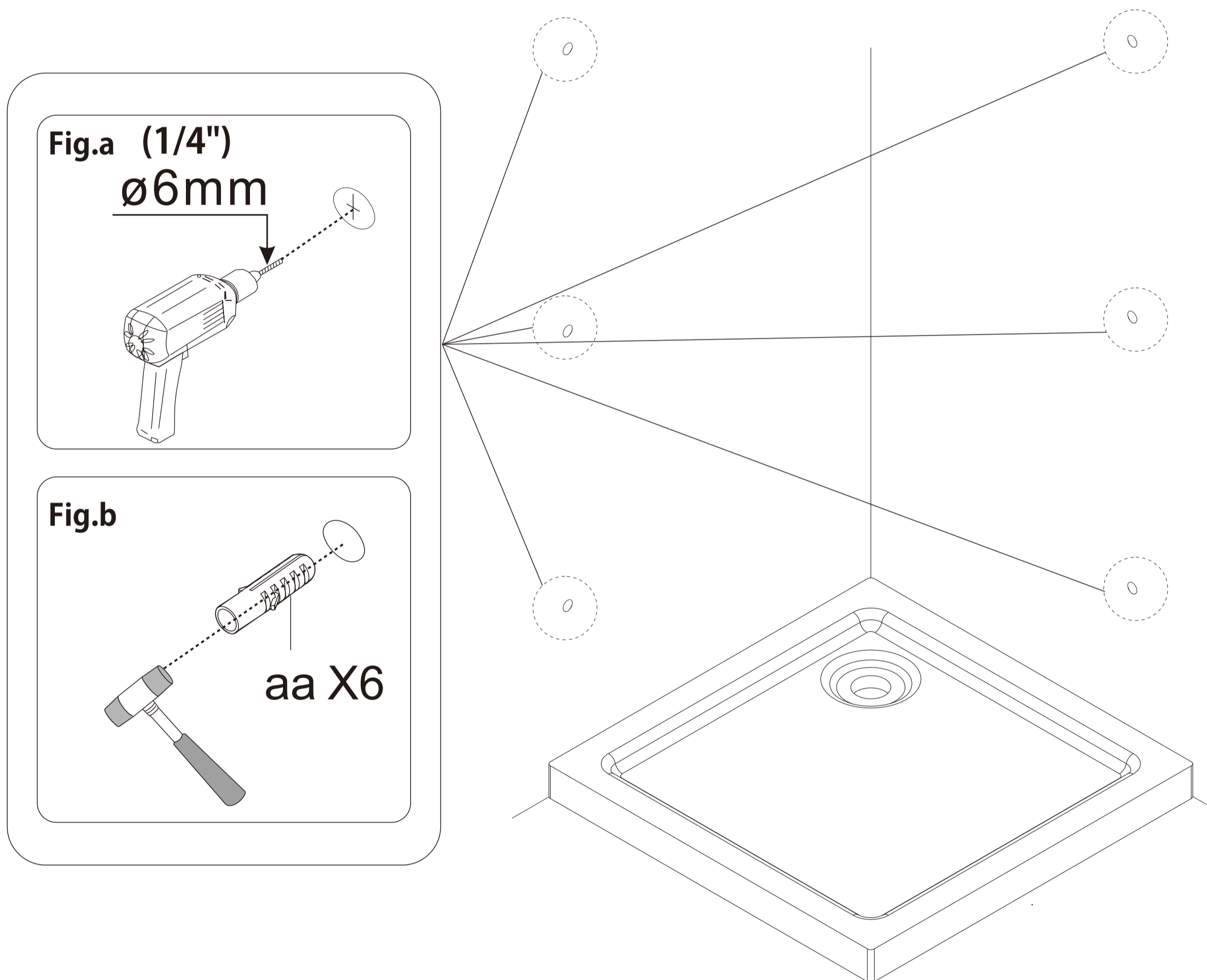
1. Determine your starting point from the edge of tray (3/8" (10mm) is recommended) and mark the position as Fig.a and Fig.c.
2. Plumb your **Wall Jambs(A)** on each side and then mark screw holes position as Fig.b and Fig.d.



3 Drill screw holes for **Wall Jamb(A)** and insert in the **Wall Anchor(aa)**.

NOTE

1. Drill holes with ϕ 6mm(1/4") drill bit as Fig.a.
2. Insert the **Wall Anchors(aa)** as Fig.b.



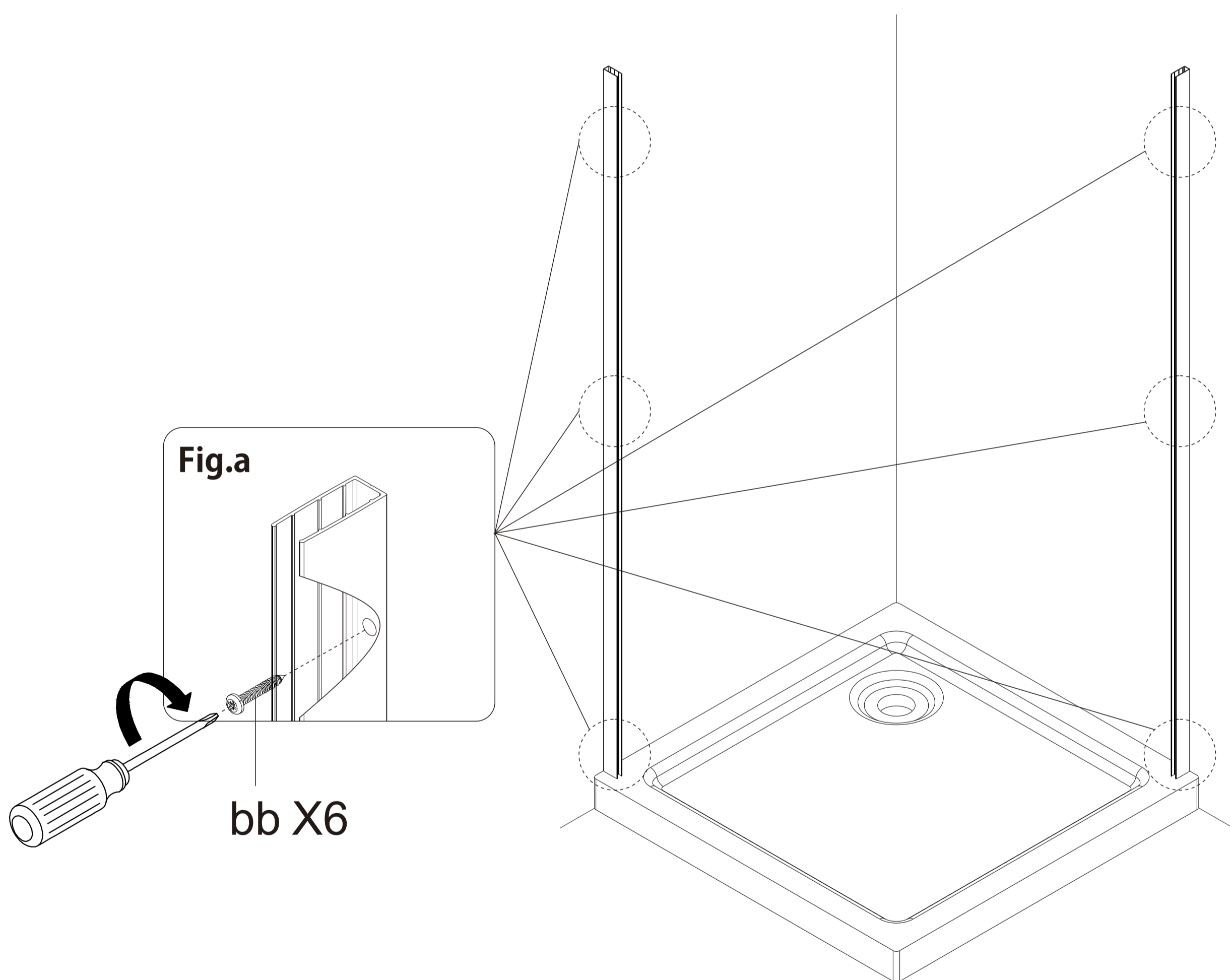
NOTE

- If a Stud is present behind the wall:
drill ϕ 1/8" (3mm) pilot holes into the stud and use the ST4.0x30mm **Screws(bb)**
OR
- If NO Stud is present behind the wall:
drill ϕ 1/4" (6mm) holes and insert the **Wall Anchors(aa)** and use the ST4.0x30mm **Screws(bb)**.

4 Install **Wall Jambs(A)**.

NOTE

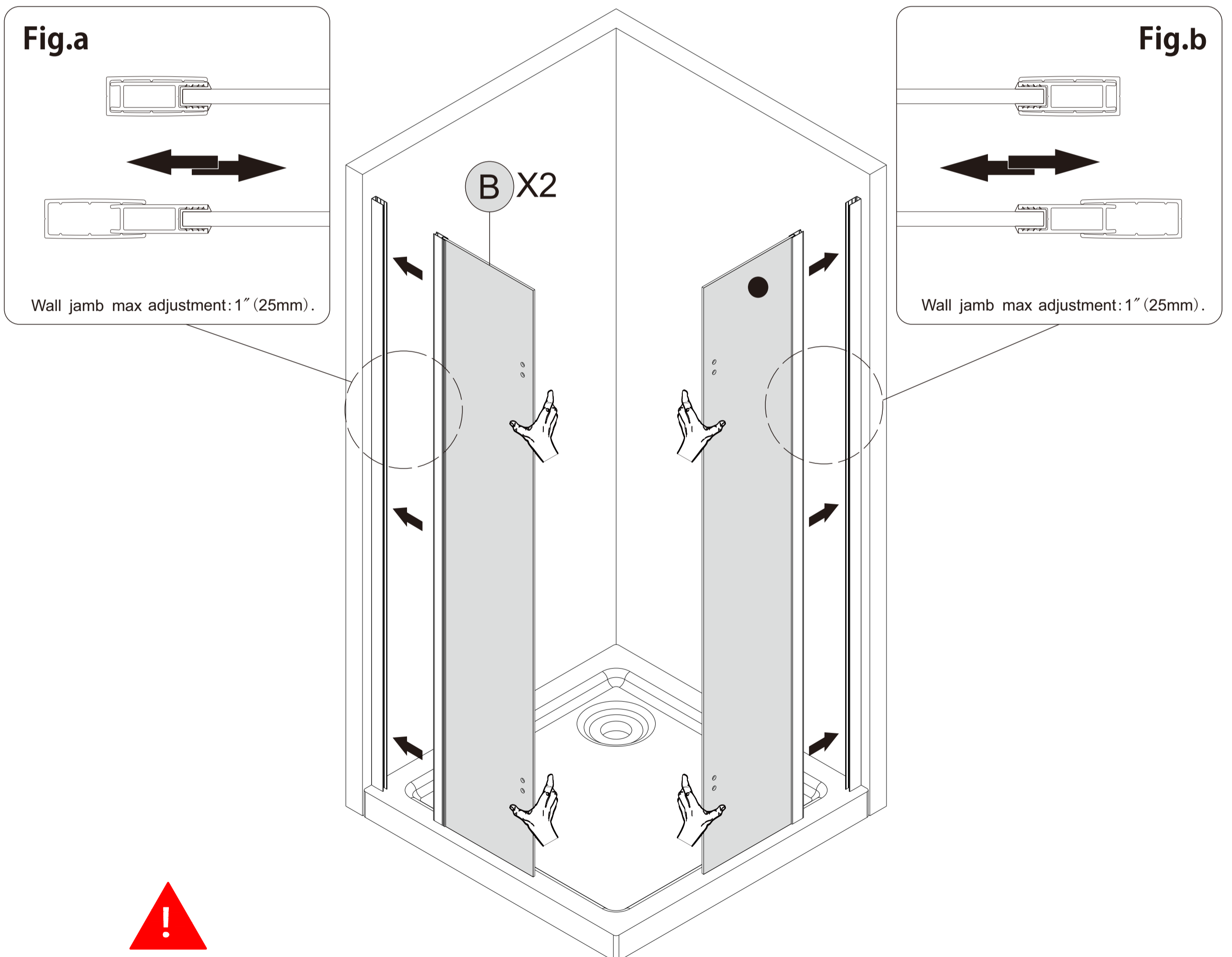
1. Fix **Wall Jambs(A)** with **Screw(bb)** as Fig.a .



5 Install **Stationary Glass(B)**.

NOTE

1. Insert the **Left Stationary Glass (B)** to the **Wall Jamb(A)**, the largest adjustment is 1"(25mm) as Fig.a Do Not screw them yet.
2. Insert the **Right Stationary Glass(B)** to the **Wall Jamb(A)**, the largest adjustment is 1"(25mm) as Fig.b Do Not screw them yet.

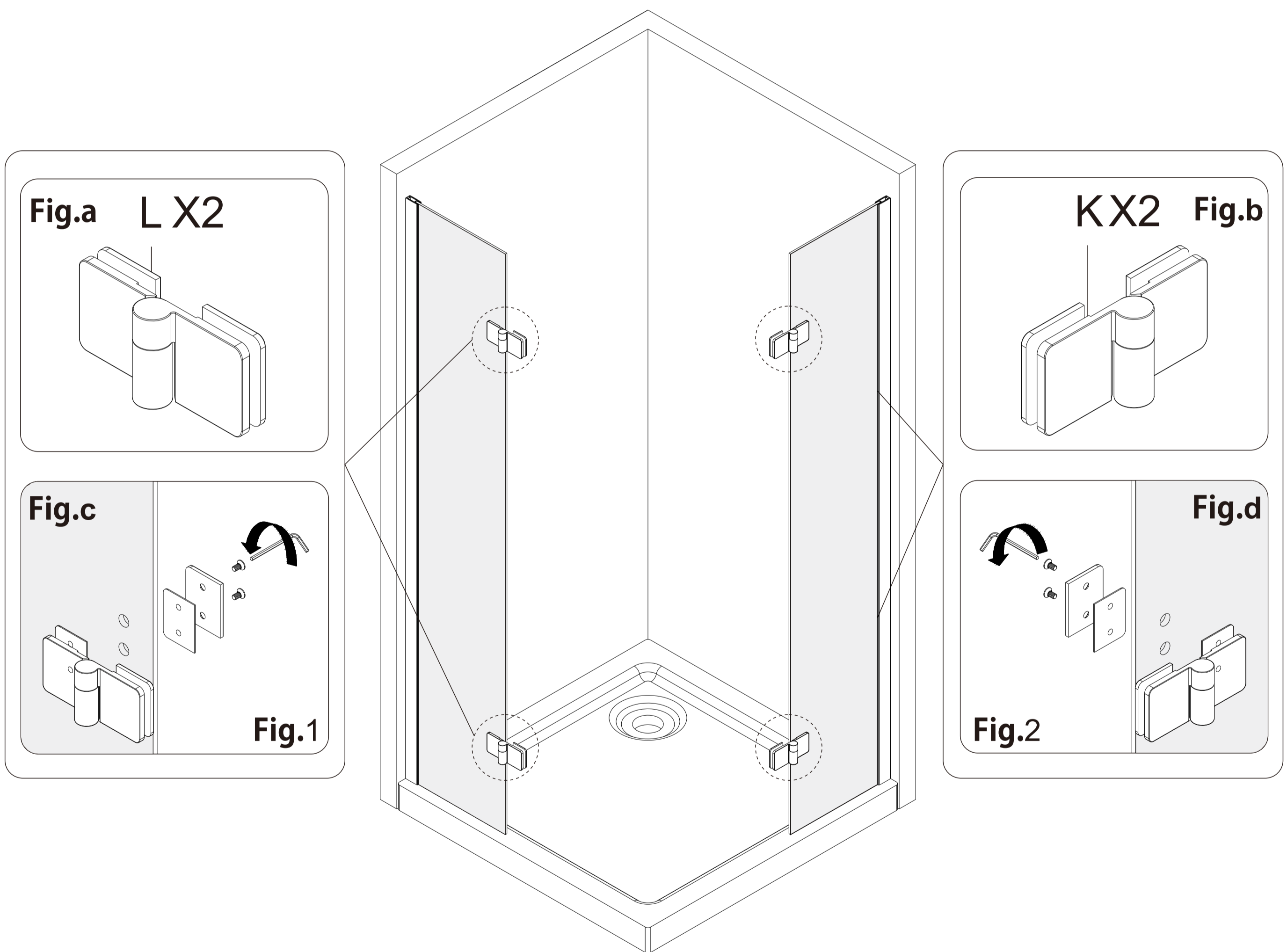


CAUTION: Do not put glass directly on the ground

6 Install Hinge(K&L)

NOTE

1. Install the Hinges (L) to the Left Stationary Glass(B) as FIG. a and fig.c.
2. Install the Hinges(K) to the Right Stationary Glass(B) as FIG. b and fig d.

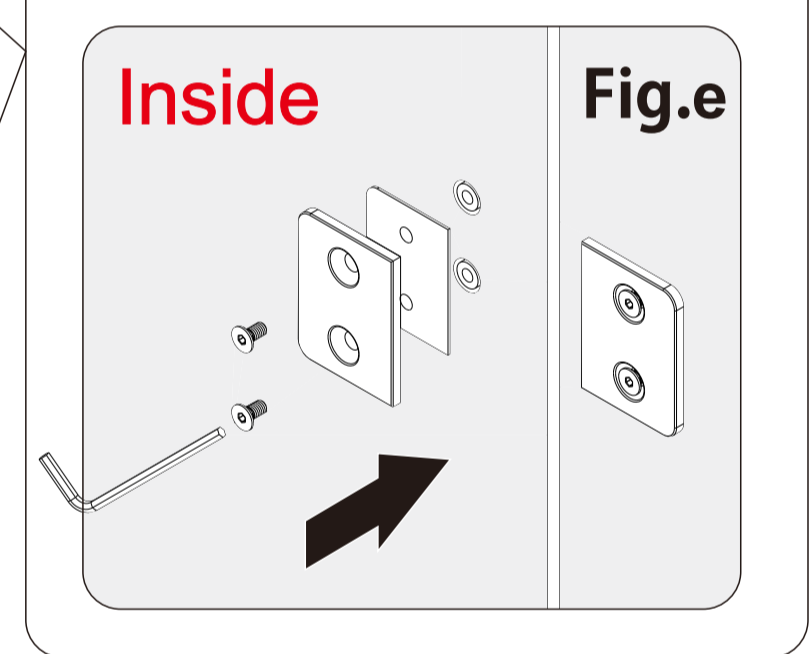
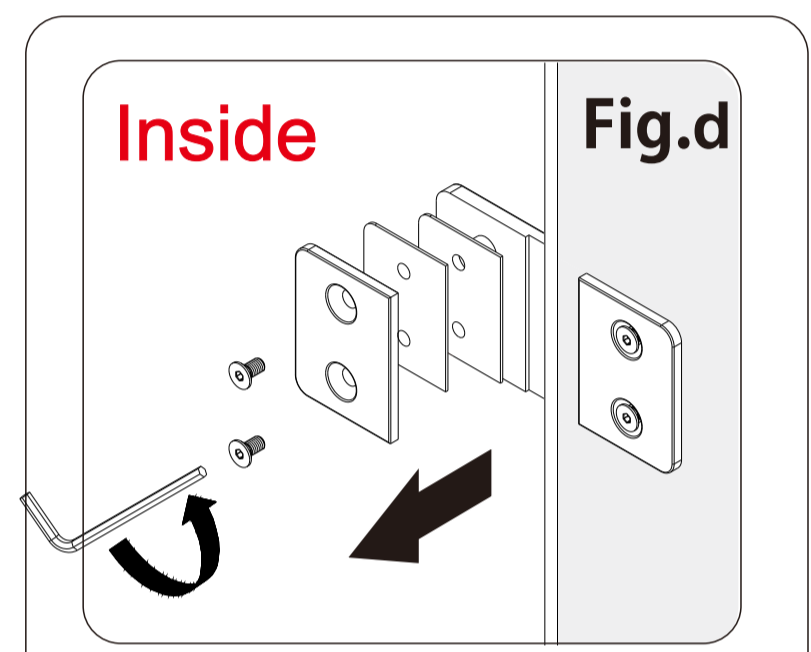
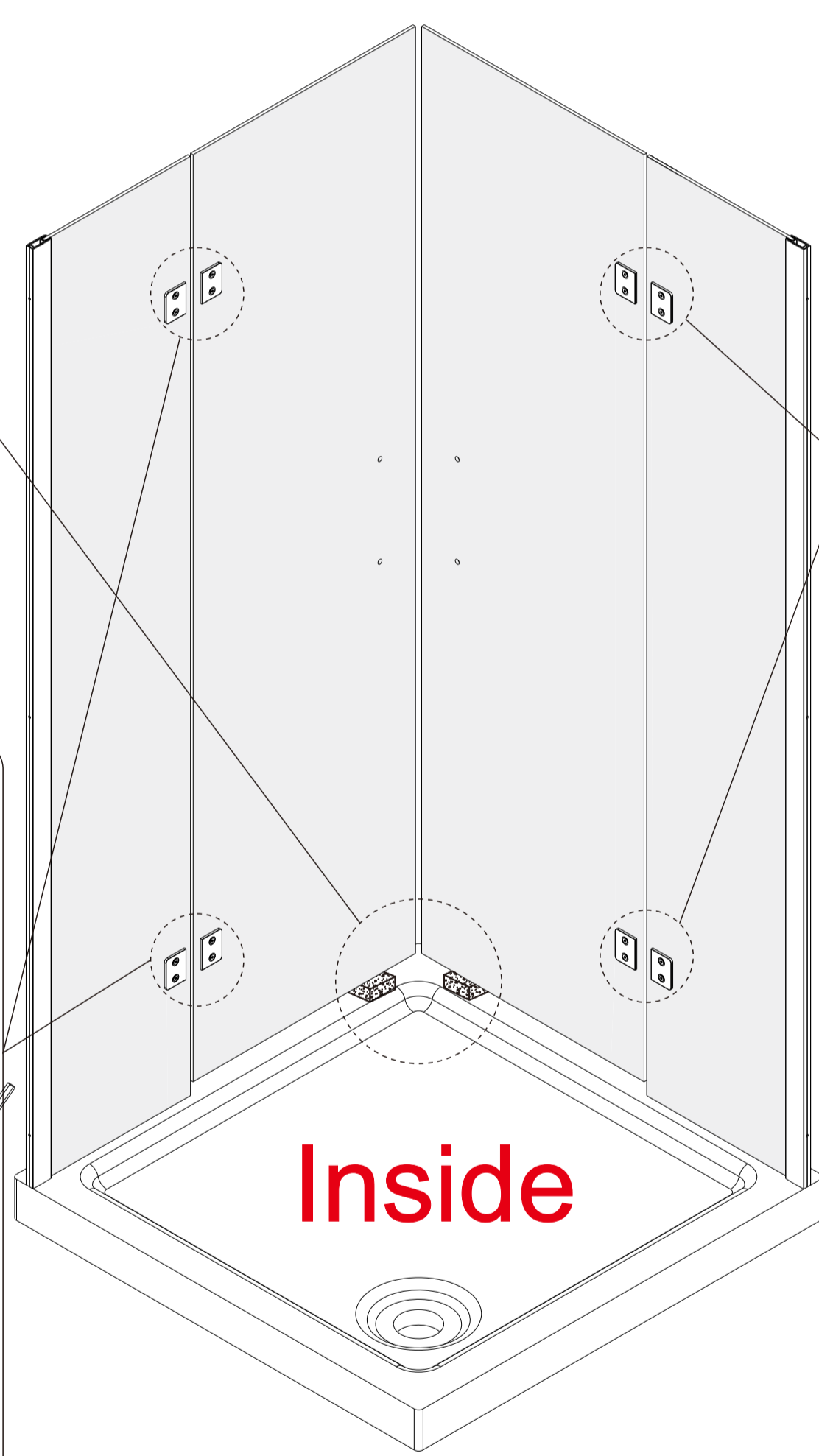
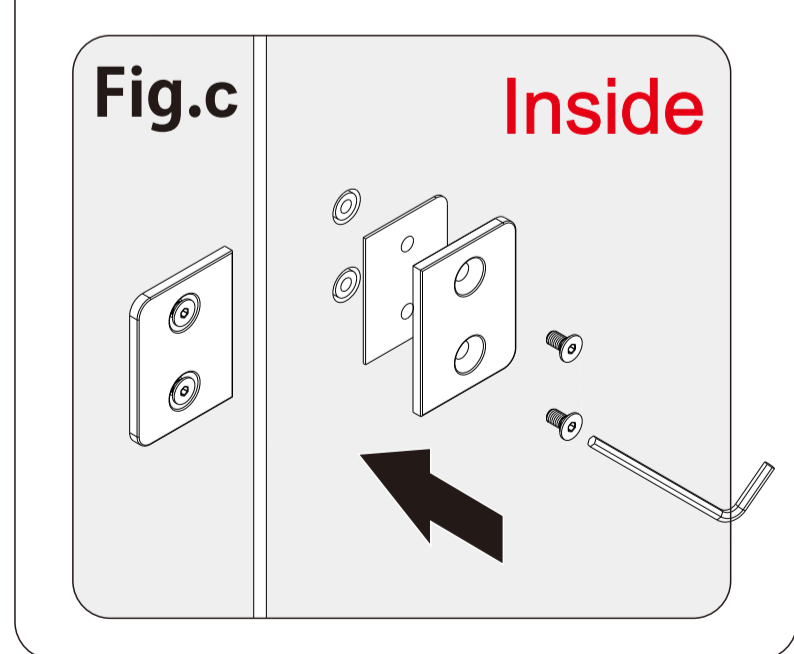
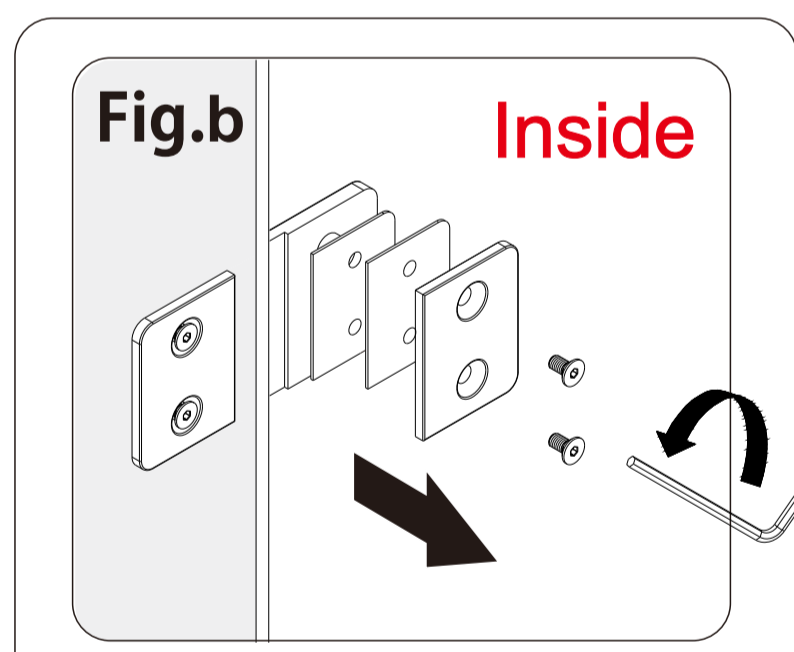
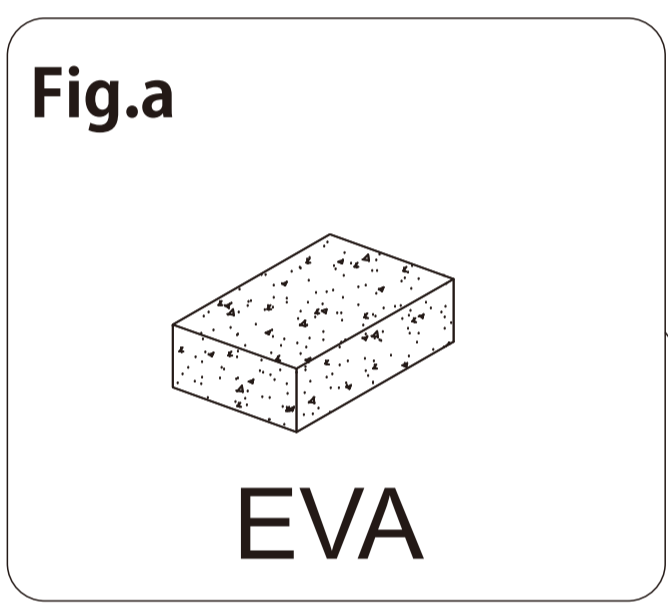


CAUTION: Do not put glass directly on the ground

7 Install Glass Doors(E)

NOTE

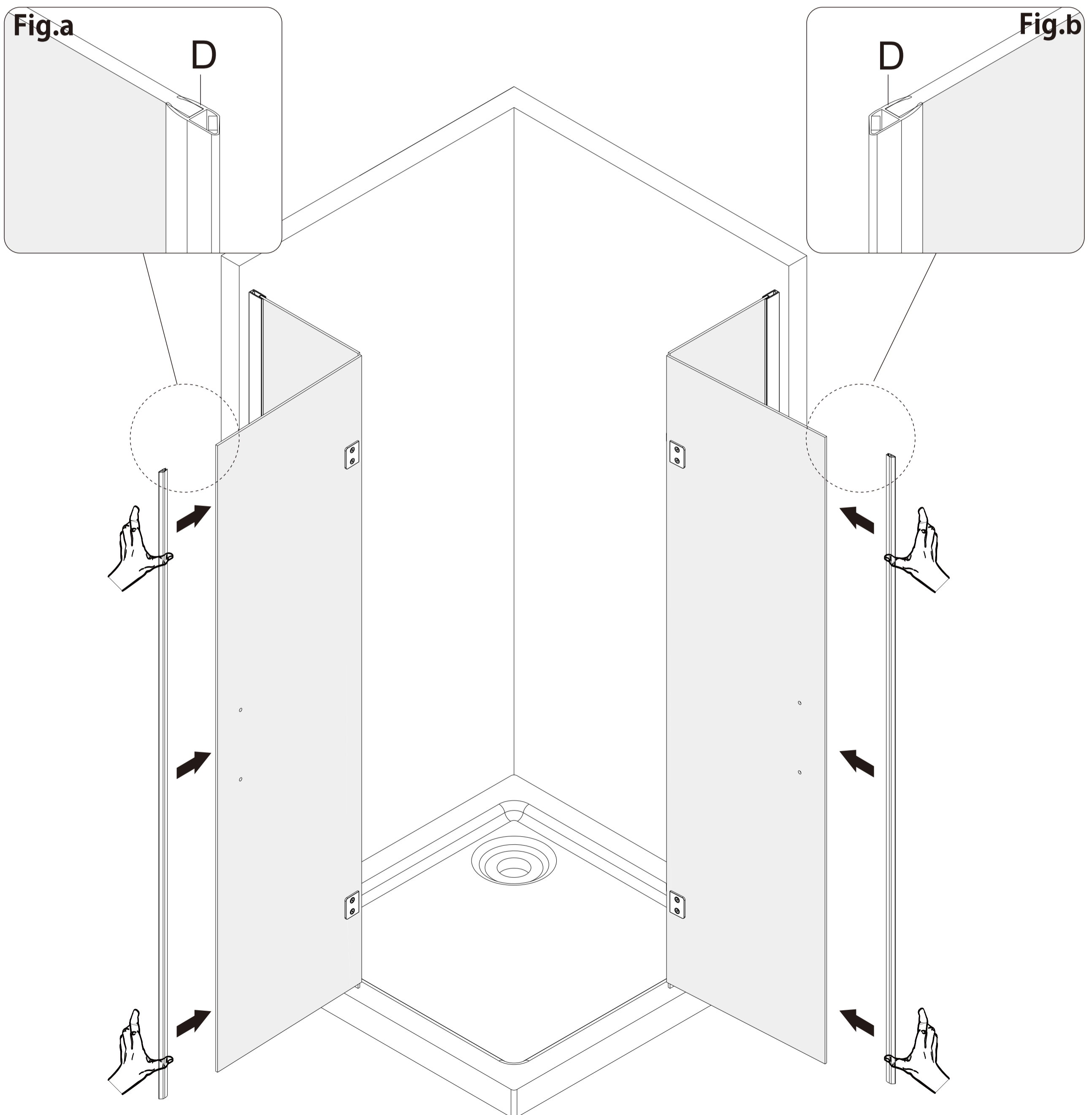
1. Put the spacer **Plastic spacer(gg)** on the edge of the tray as Fig.a .
2. Attach the glass door(E) to the stationary glass using the hinges(K&L) as Fig.b and Fig.c tighten them with the allen wrench provided.
3. Attach the glass door(E) to the stationary glass using the hinges(K&L) as Fig.d and Fig.e tighten them with the allen wrench provided.



8 Install **Magnetic Seals(D)**.

NOTE

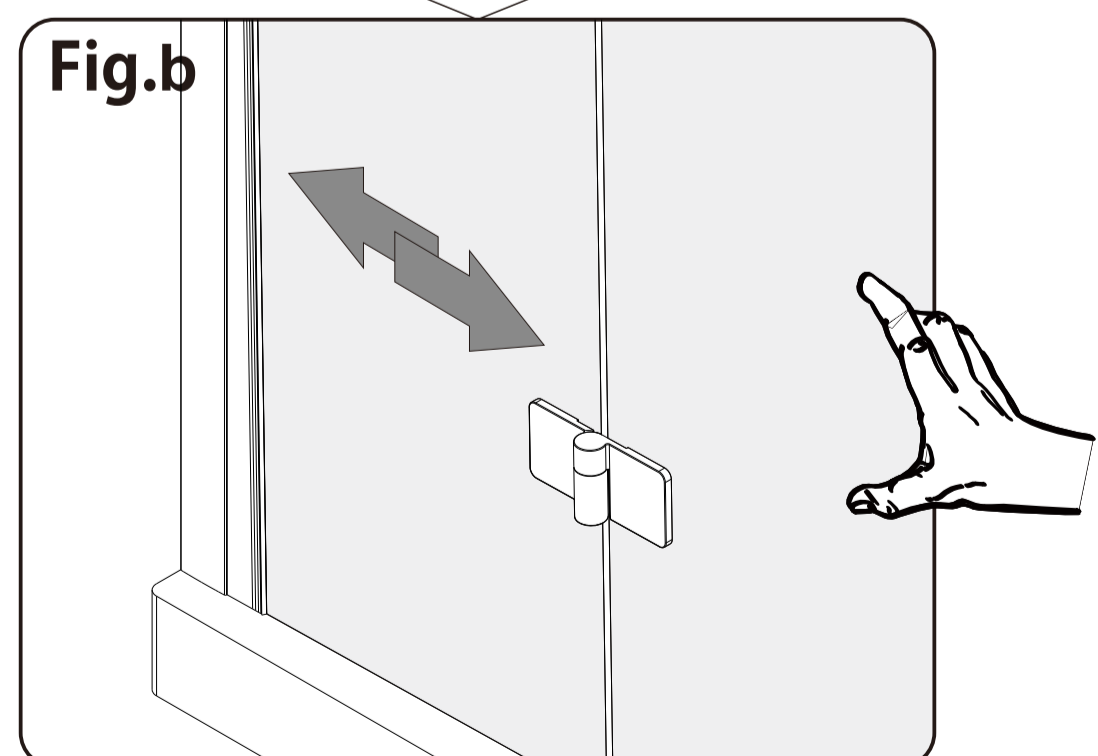
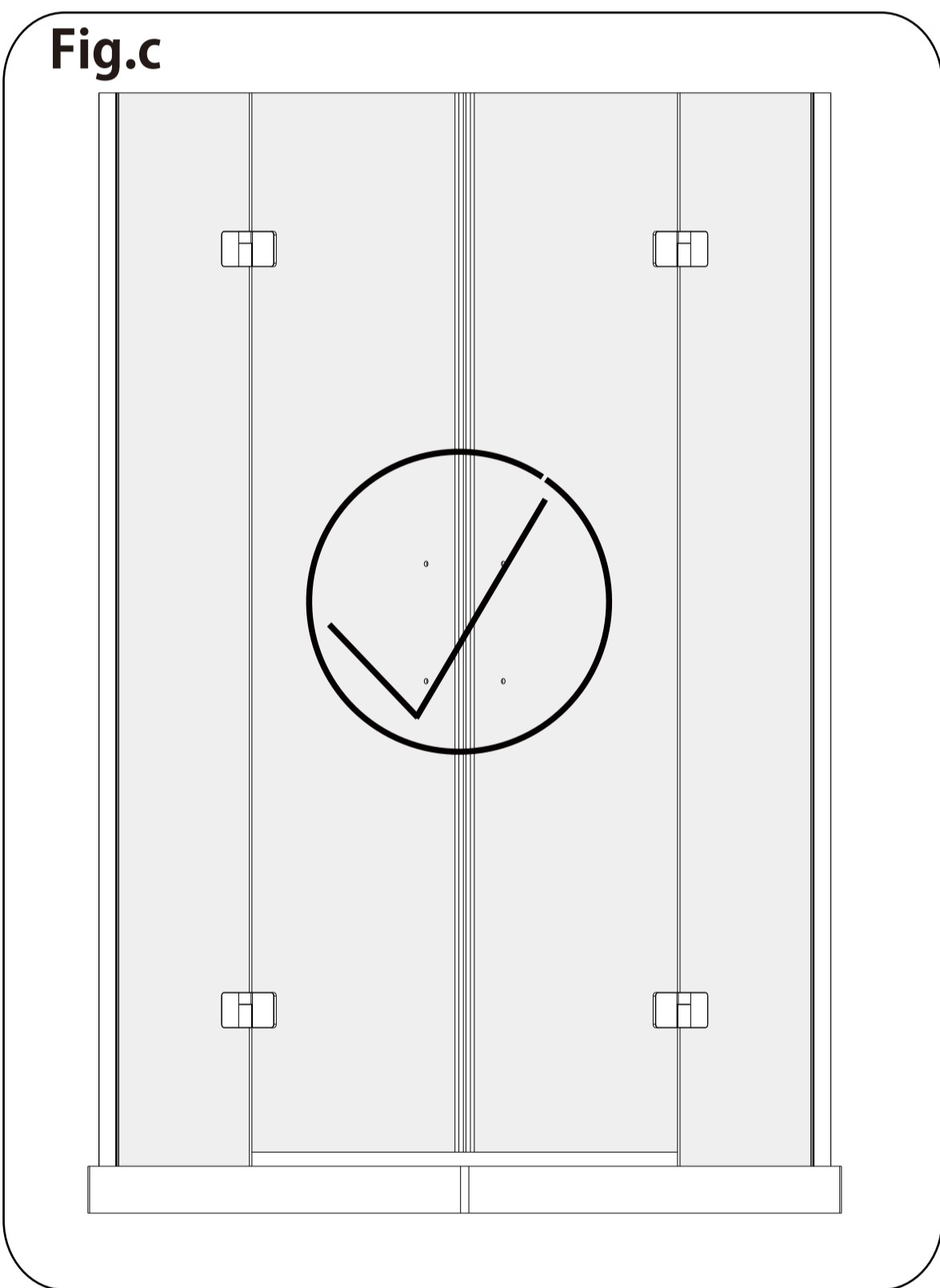
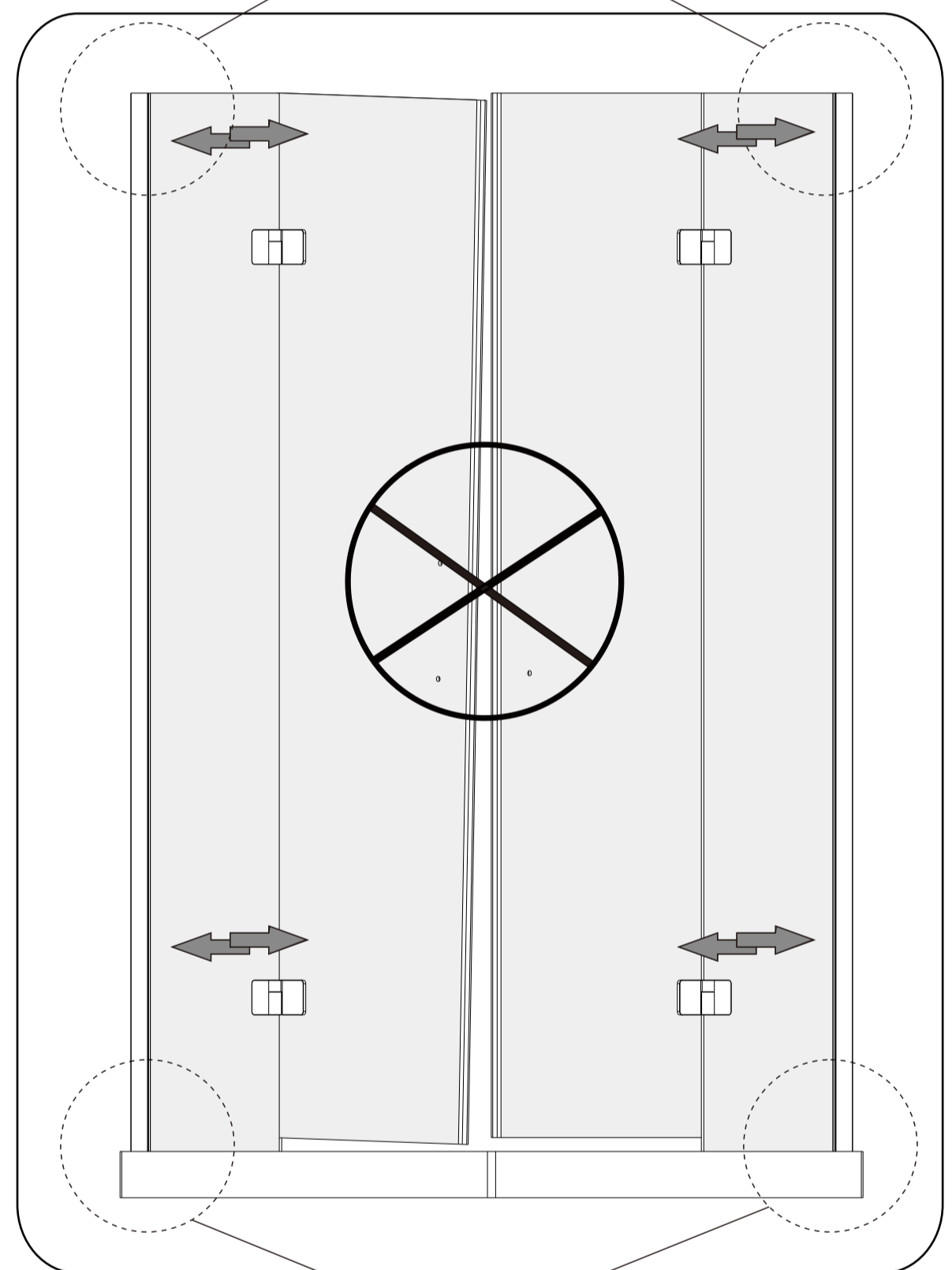
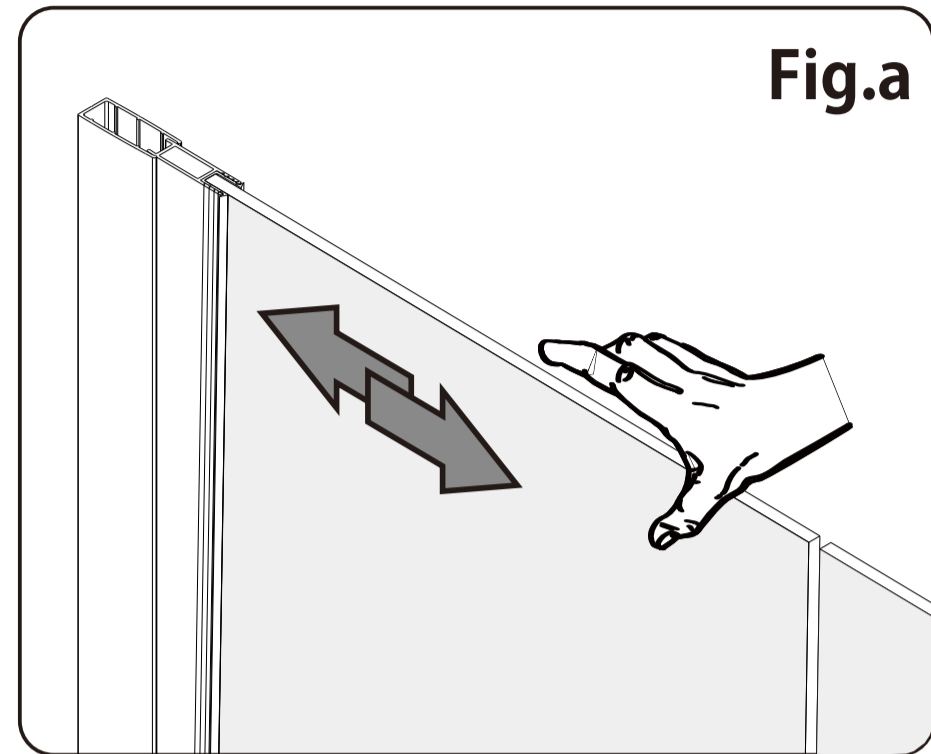
1. Install the **Magnetic Seal(D)** to the **Left Glass Door(E)** as Fig.a .
In such a way that the 45 degrees angles match properly
2. Install the **Magnetic Seal(D)** to the **Right glass door(E)** as Fig.b .
In such a way that the 45 degrees angles match properly



9 Adjustment

NOTE

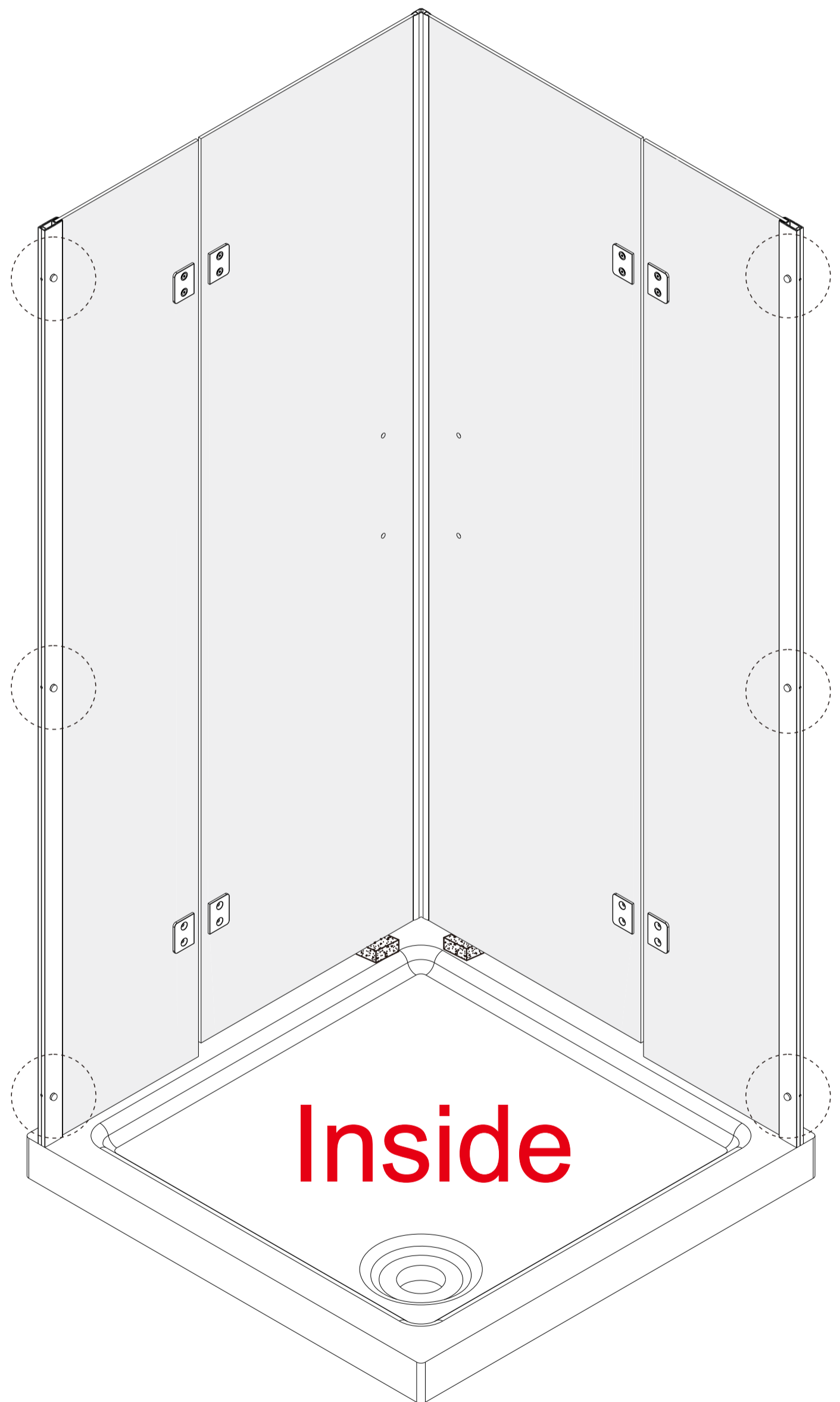
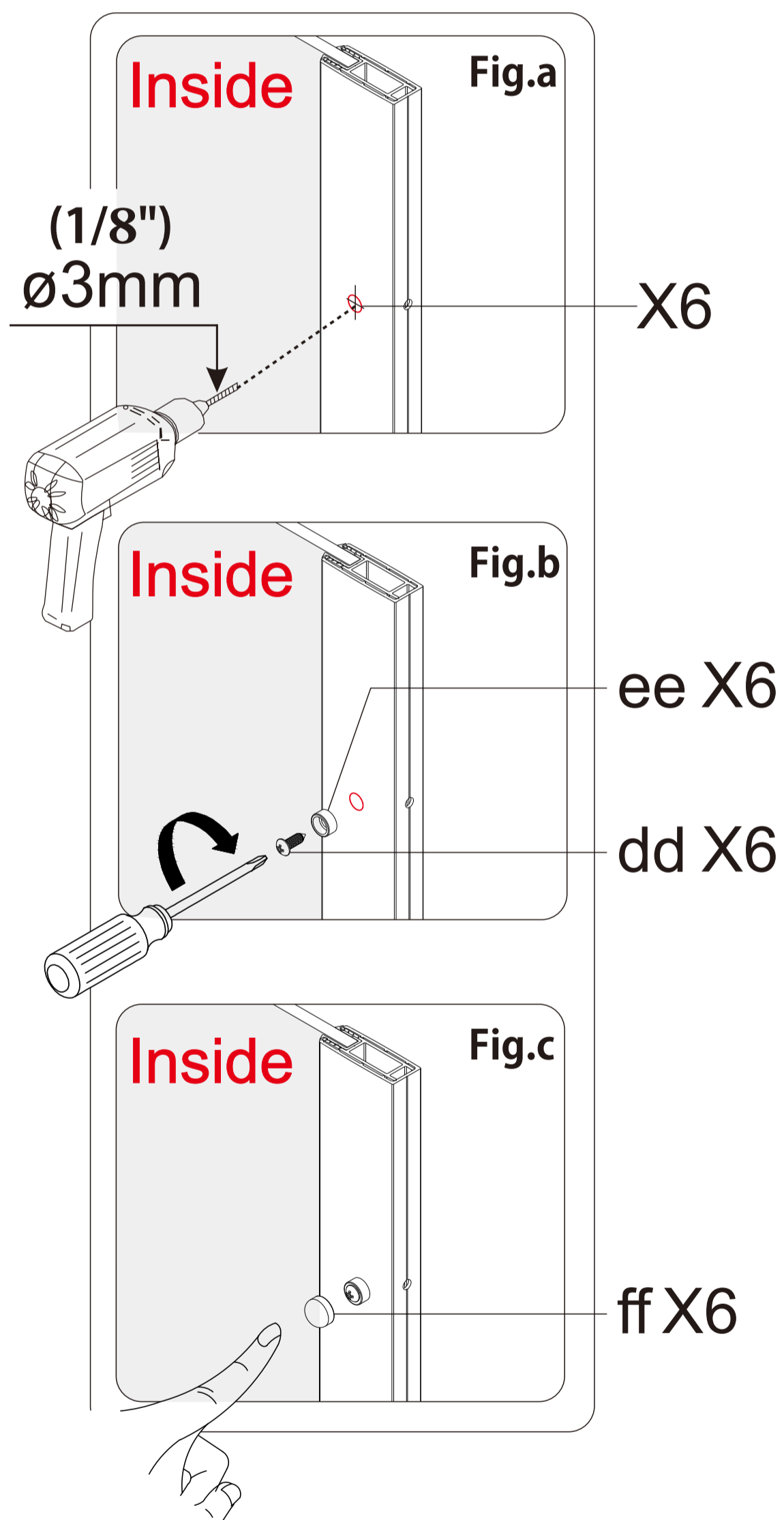
1. Adjust both **Stationary glasses(B)** attached to the **Wall Jams(A)** to make sure that both Doors(E) are properly aligned from top to bottom and at the center of the tray as Fig.c .



10 Lock Stationary Glass(B)

NOTE

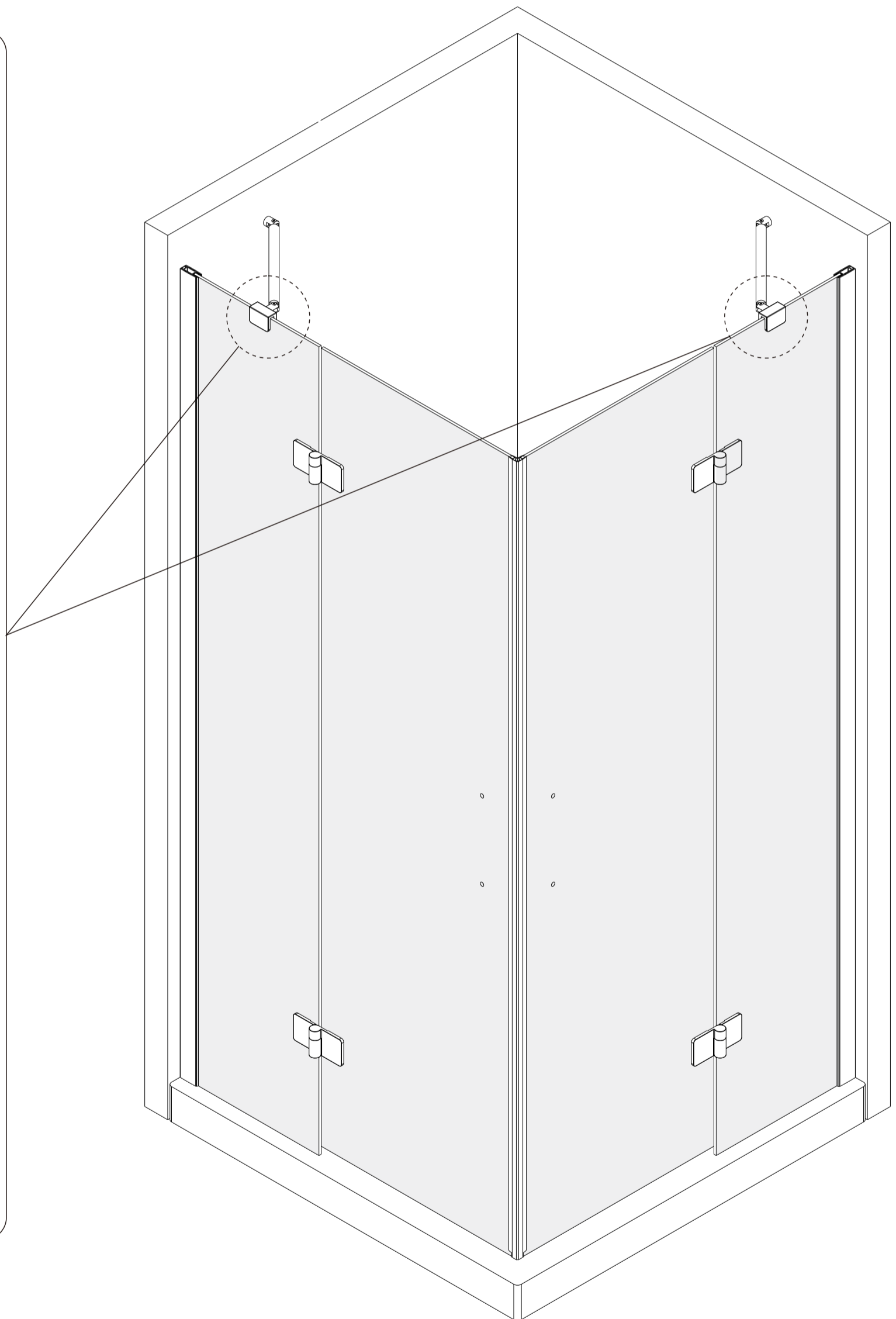
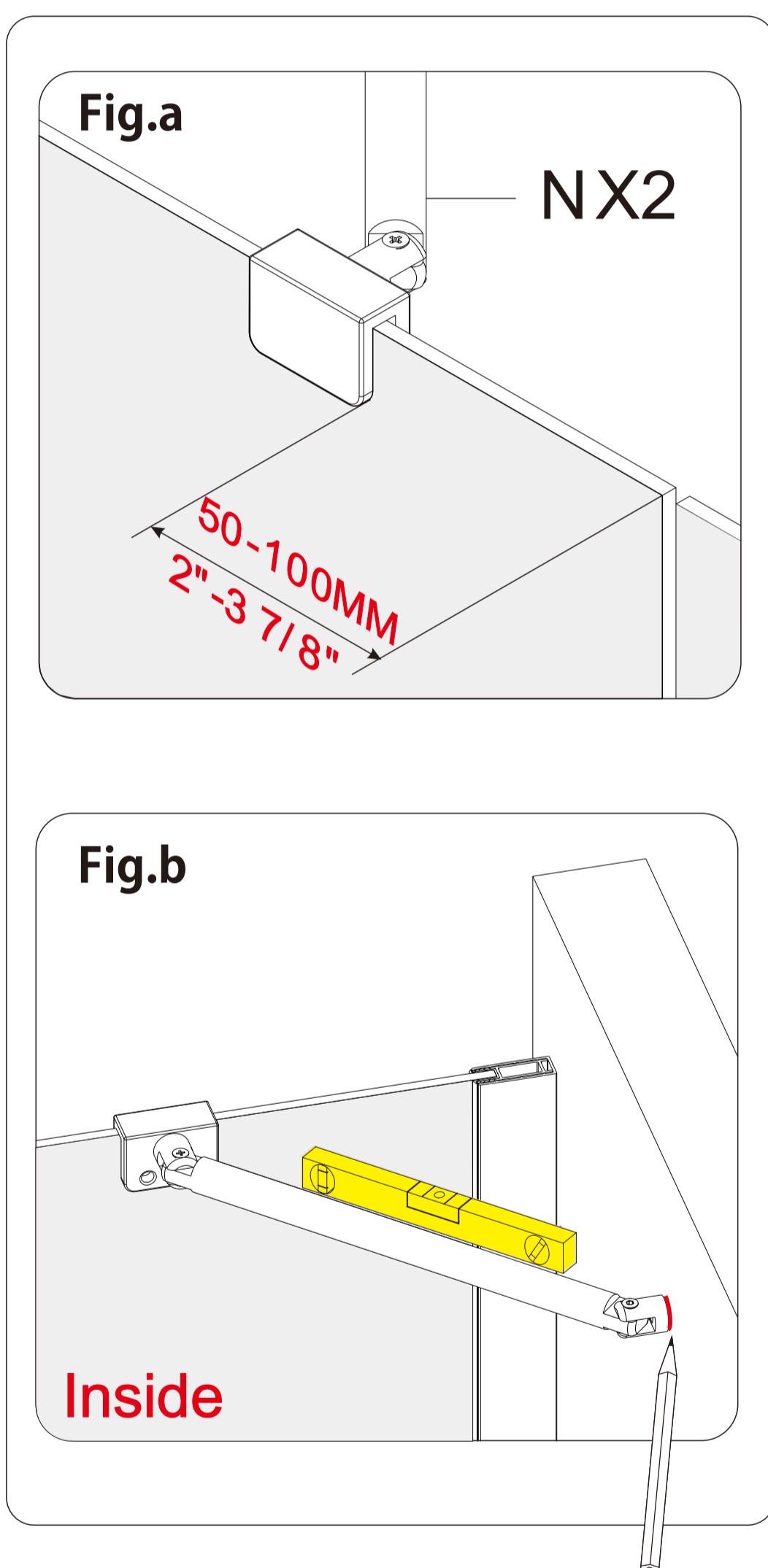
1. Drill 3 holes on the inside of the **Wall Jambs(A)** with 1/8"(3mm) drill bit as Fig.a .
2. Install **Screws(dd)** and screw cover cap **Washers(ee)** as Fig.b .
3. Install **Screw caps(ff)** as Fig.c .



11 Install **Pull Rods(N)**.

NOTE

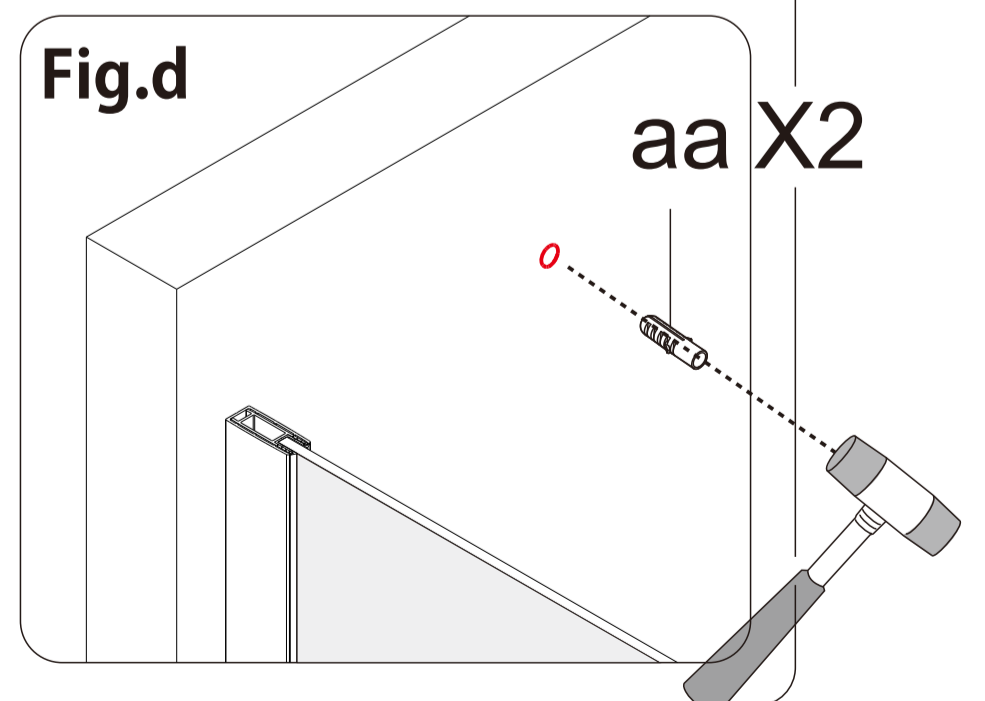
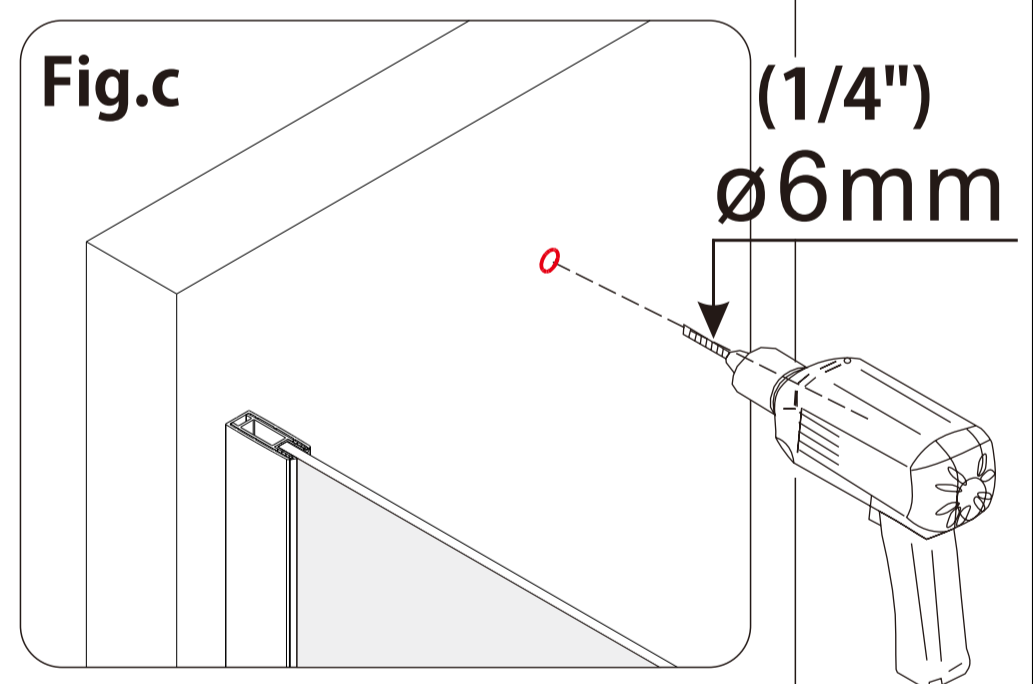
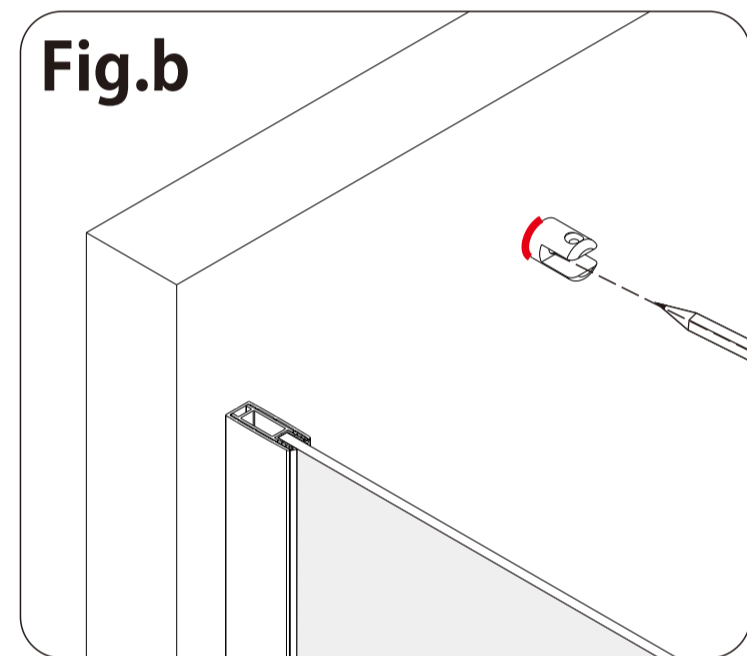
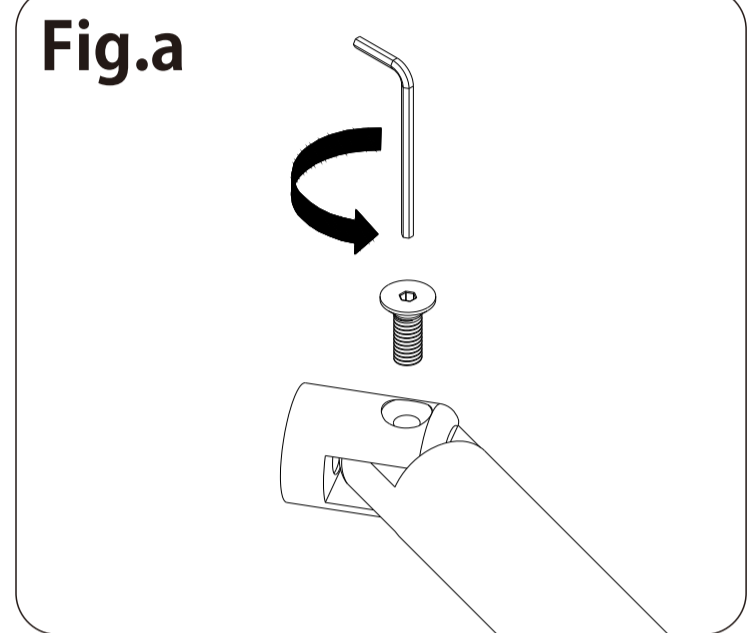
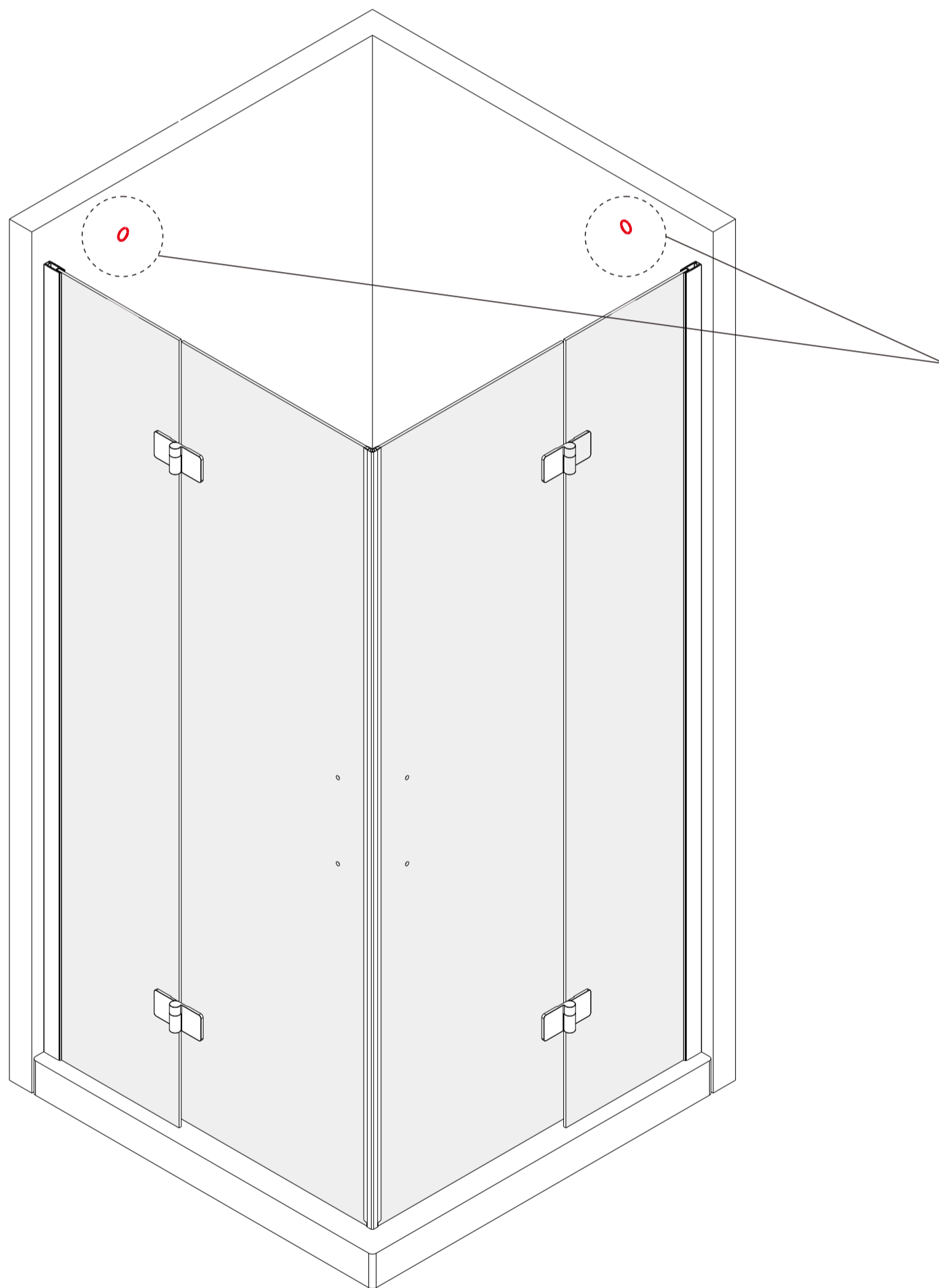
1. Put the one side of **Pull Rods(N)** to the **Stationary Glass(B)**, adjust the position as Fig.a .
- 2.Keep it level and mark a fix point for the **Pull Rods(N)** to the wall as Fig.b



12 Install Pull Rods(N).

NOTE

1. Remove the wall bracket from the **Pull Rod(N)** as Fig.a
2. Mark a point on the screw hole of the bracket to the wall as Fig.b.
3. Drill hole on the marked point as Fig.c .
4. Fix a **Wall Anchor(aa)** to the wall as Fig. d.



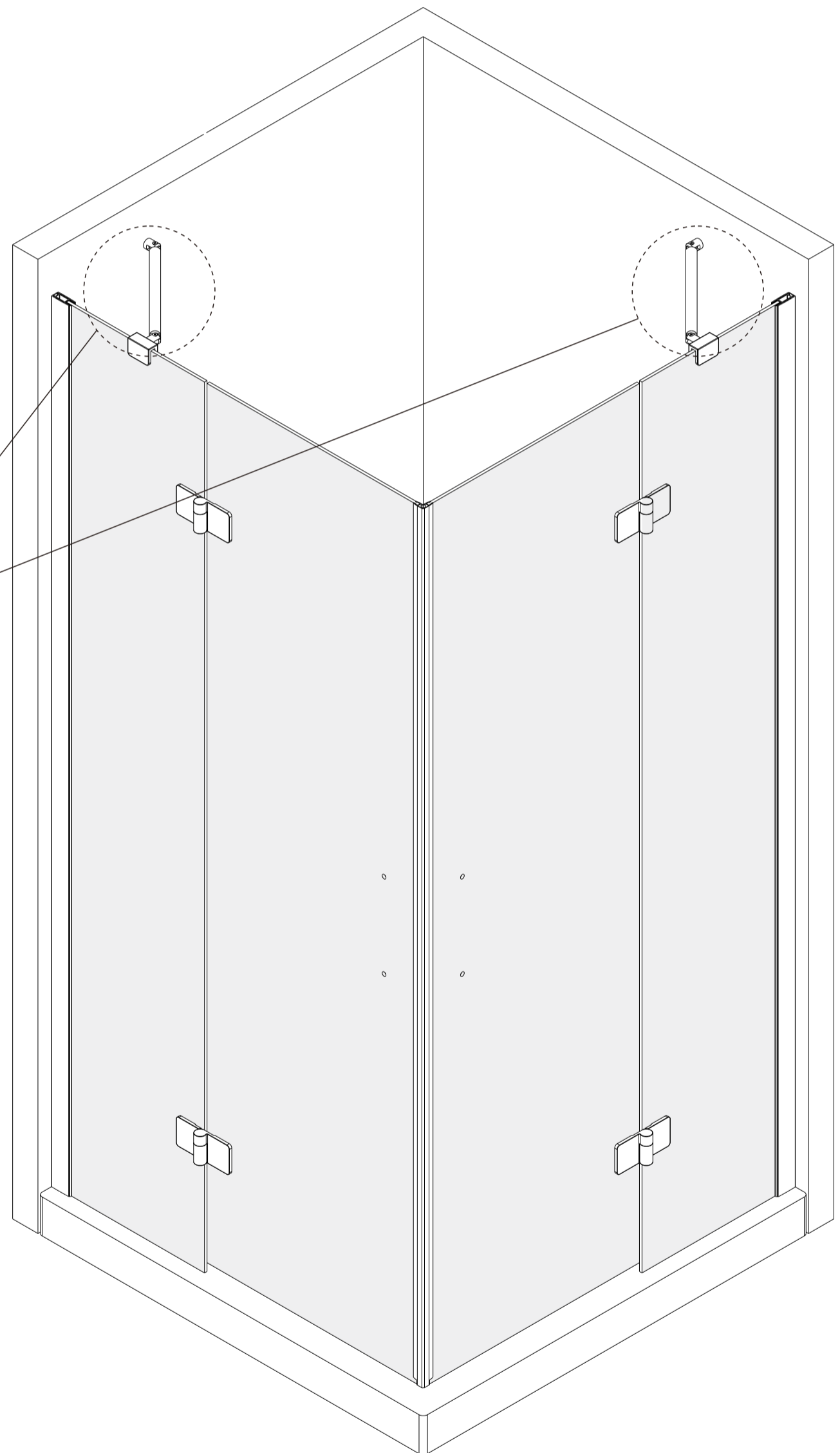
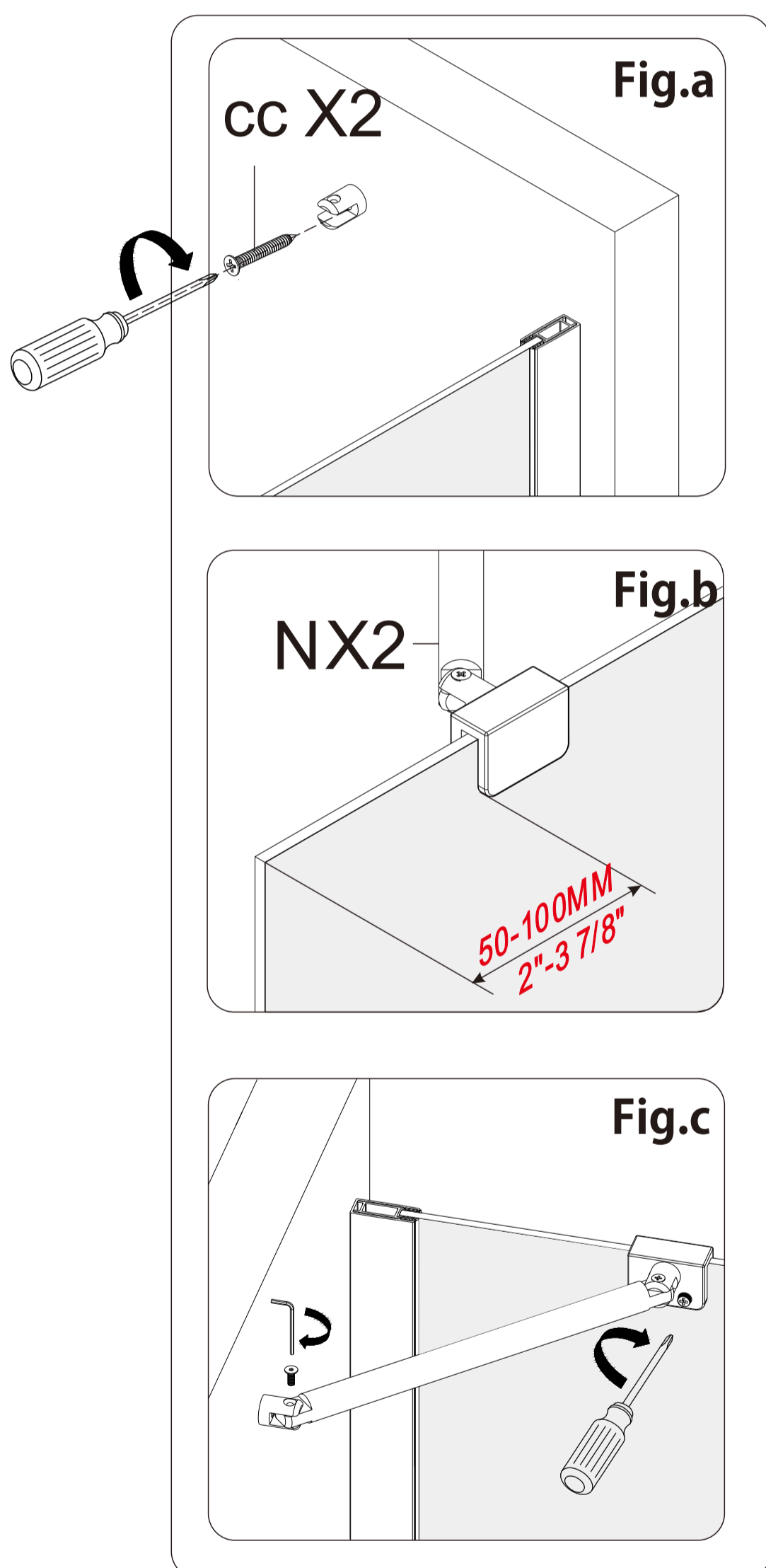
NOTE

- If a Stud is present behind the wall:
drill $\phi 1/8''$ (3mm) pilot holes into the stud and use the ST4.0x30mm **Screws(bb)**
OR
- If NO Stud is present behind the wall:
drill $\phi 1/4''$ (6mm) holes and insert the **Wall Anchors(aa)** and use the ST4.0x30mm **Screws(bb)**.

13 Install Pull Rods(N).

NOTE

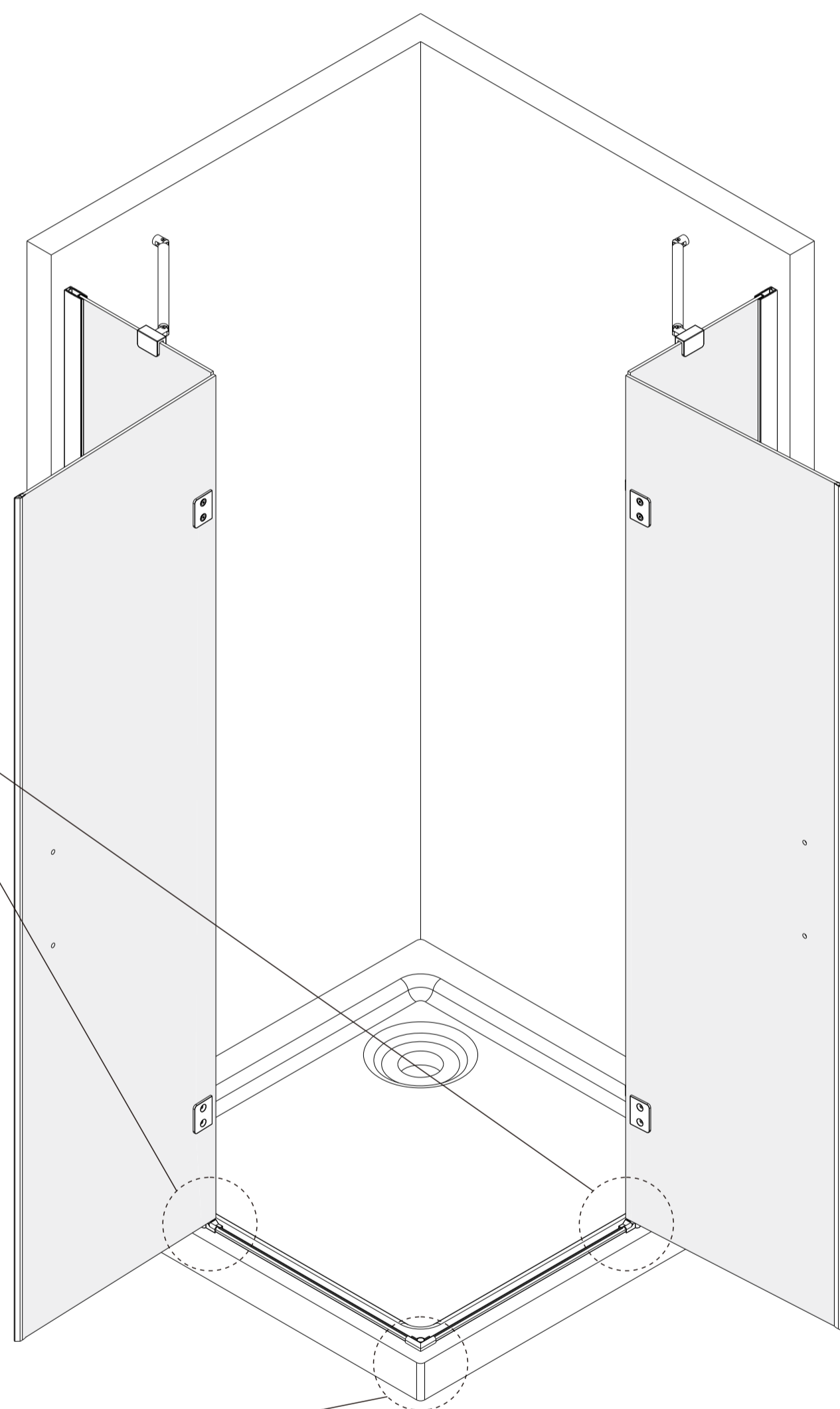
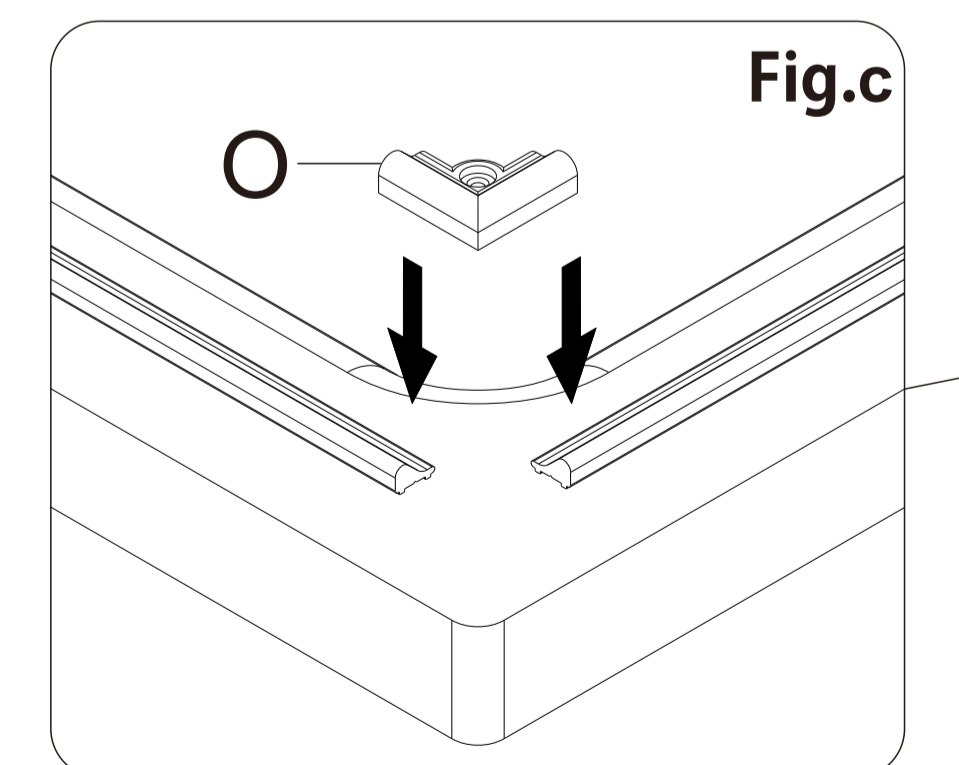
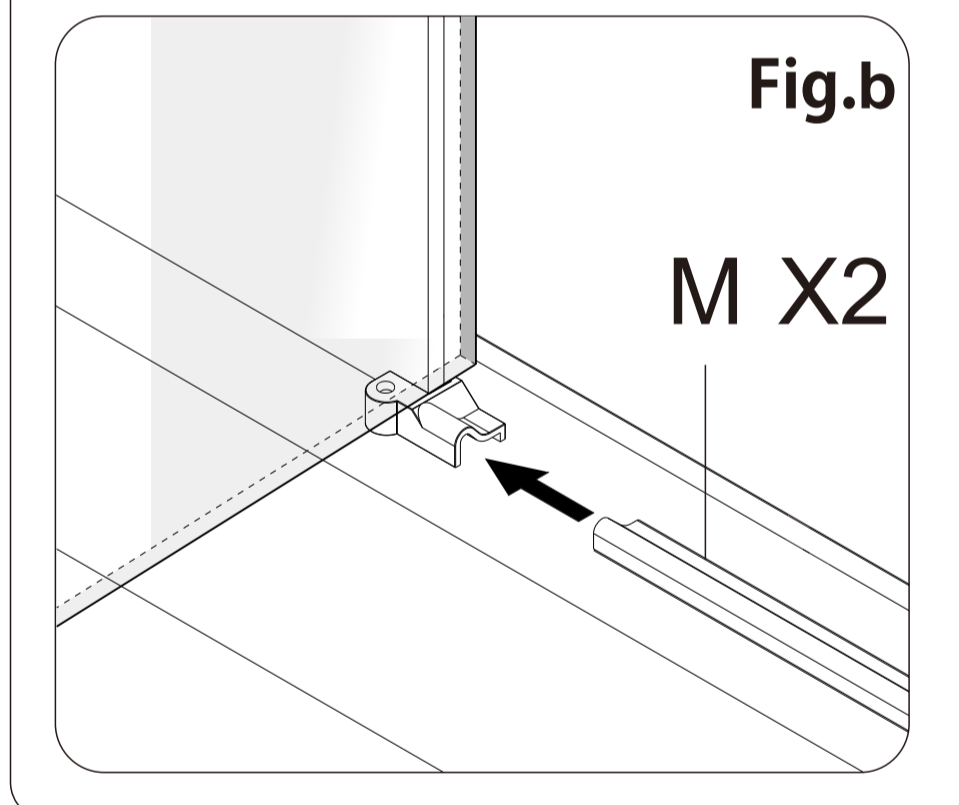
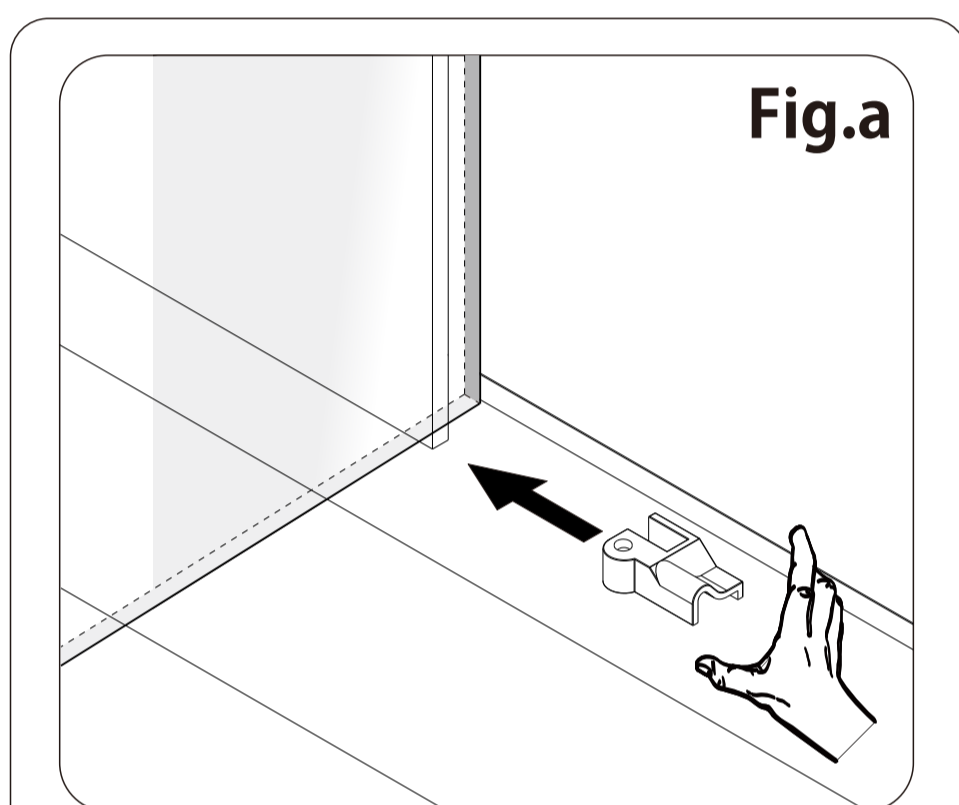
1. Fix the wall bracket with flat head **Screw(cc)** as Fig.a .
2. Place the **Pull Rods(N)** to a suitable position as Fig.b .
3. Fasten the **Pull Rods(N)** with screws as Fig.c .



14 Install the **Alu Threshold(M)** .

NOTE

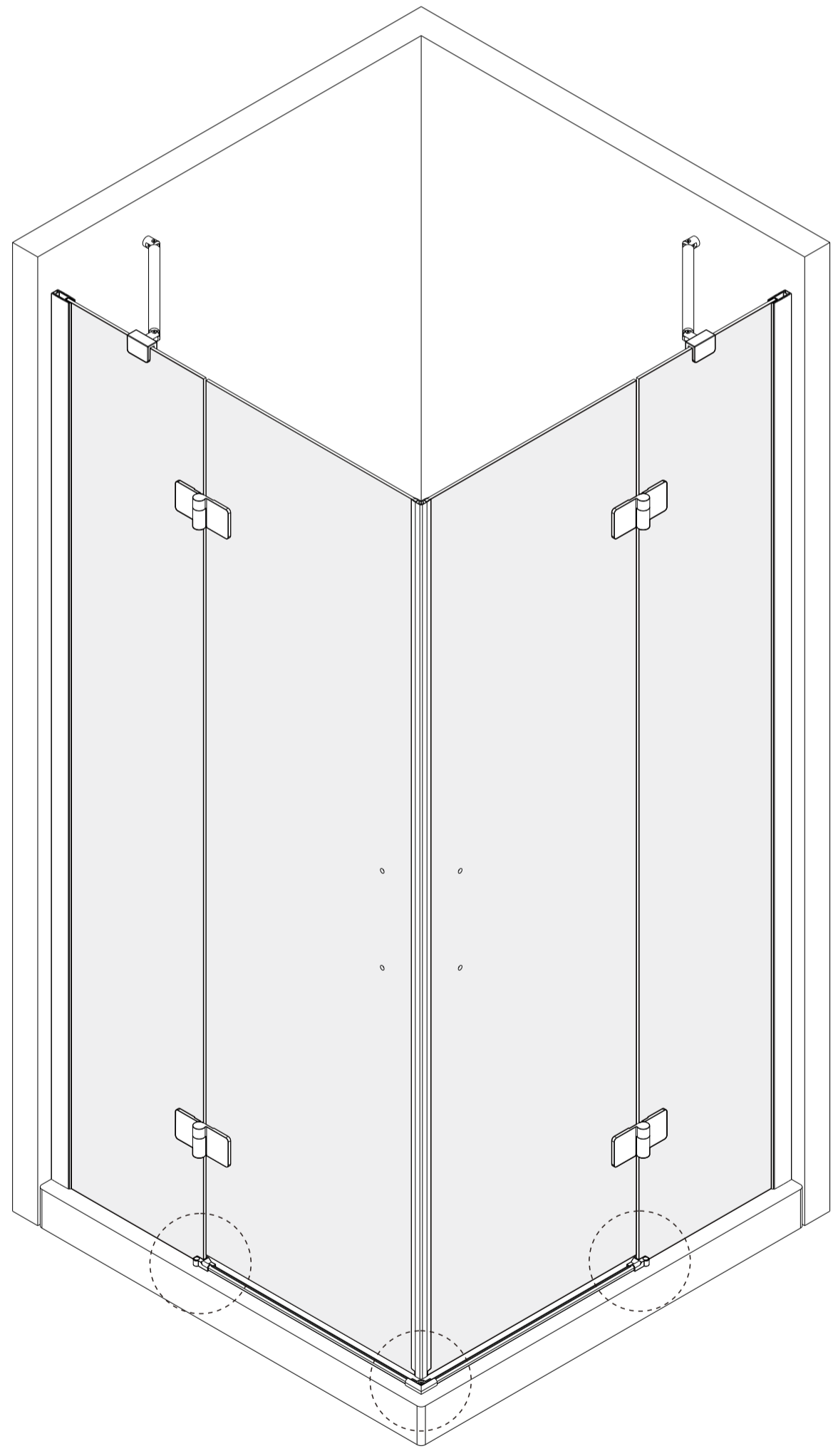
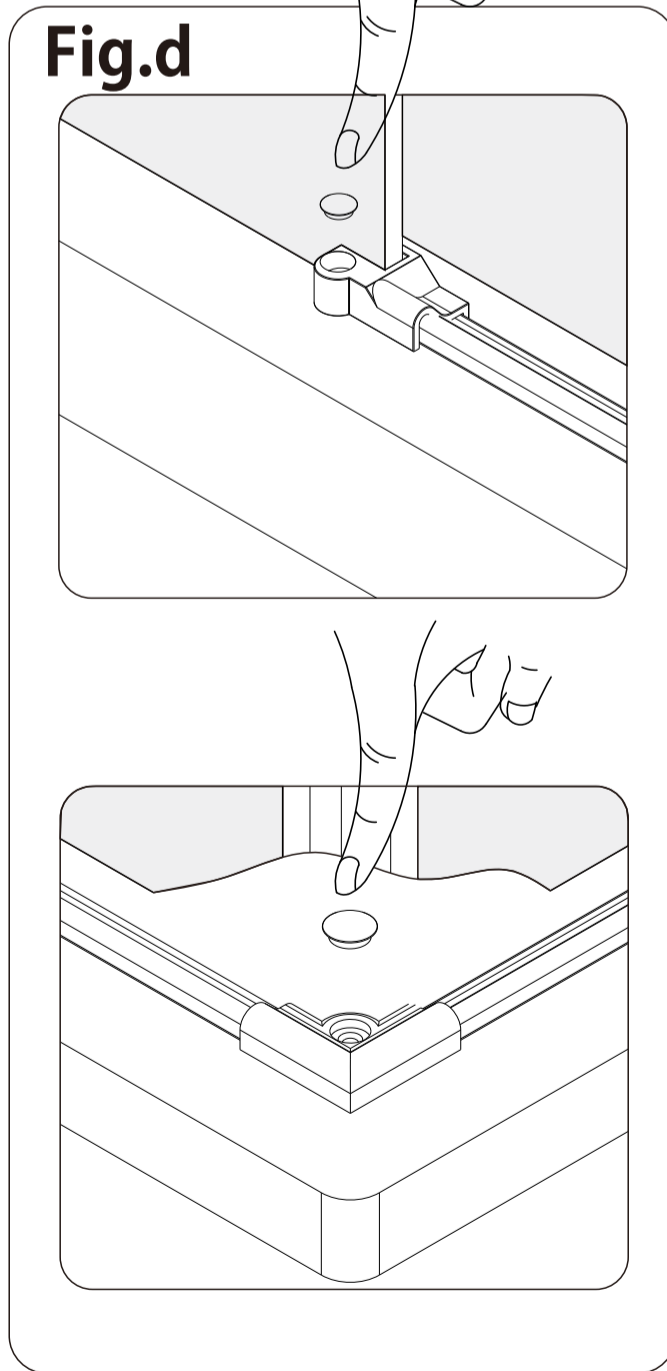
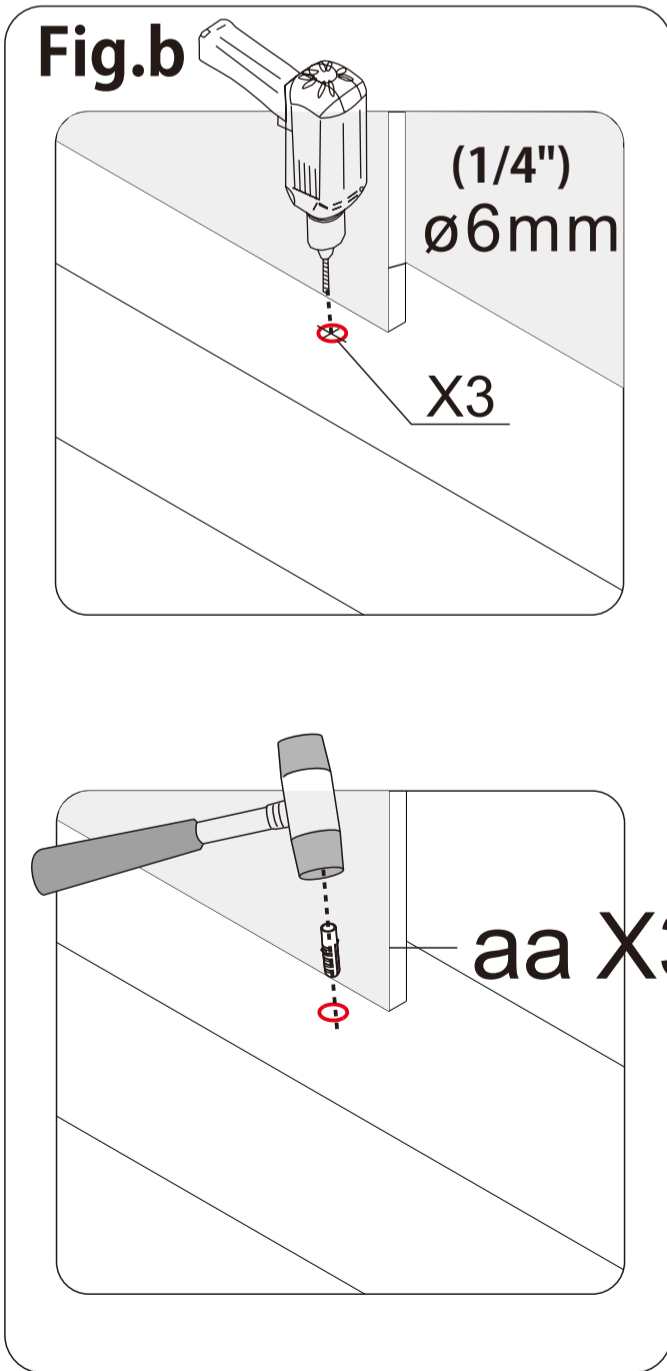
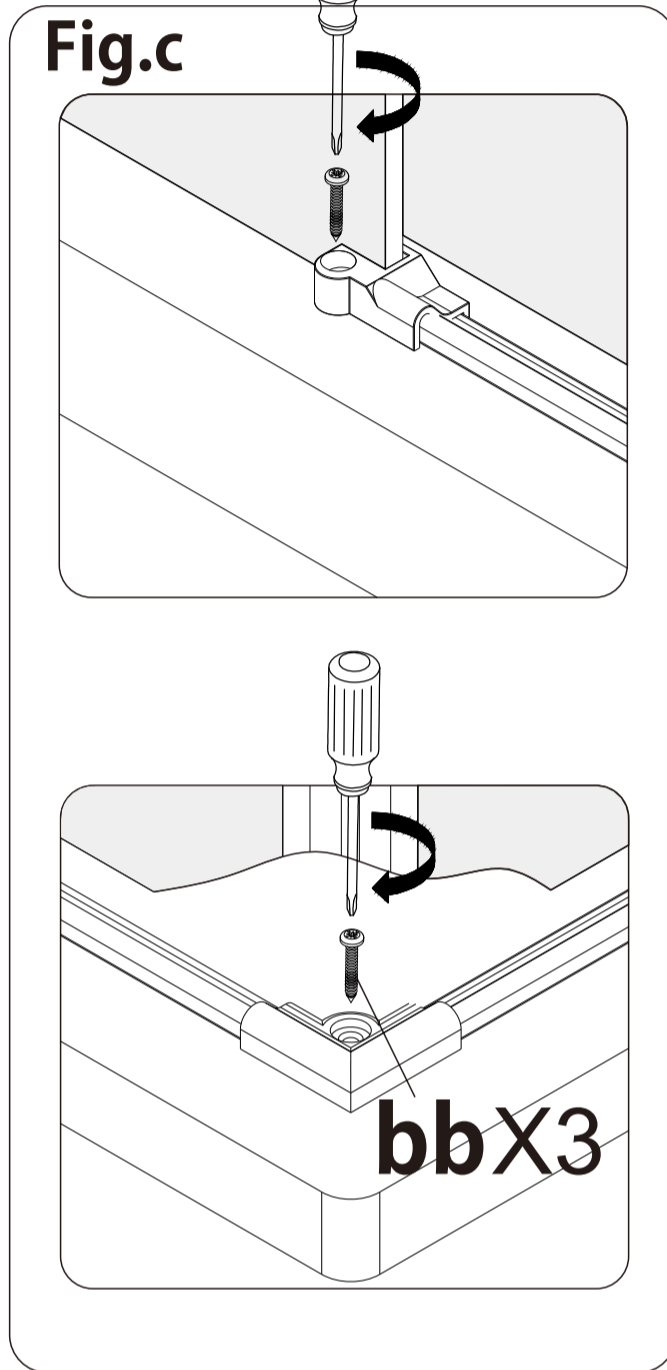
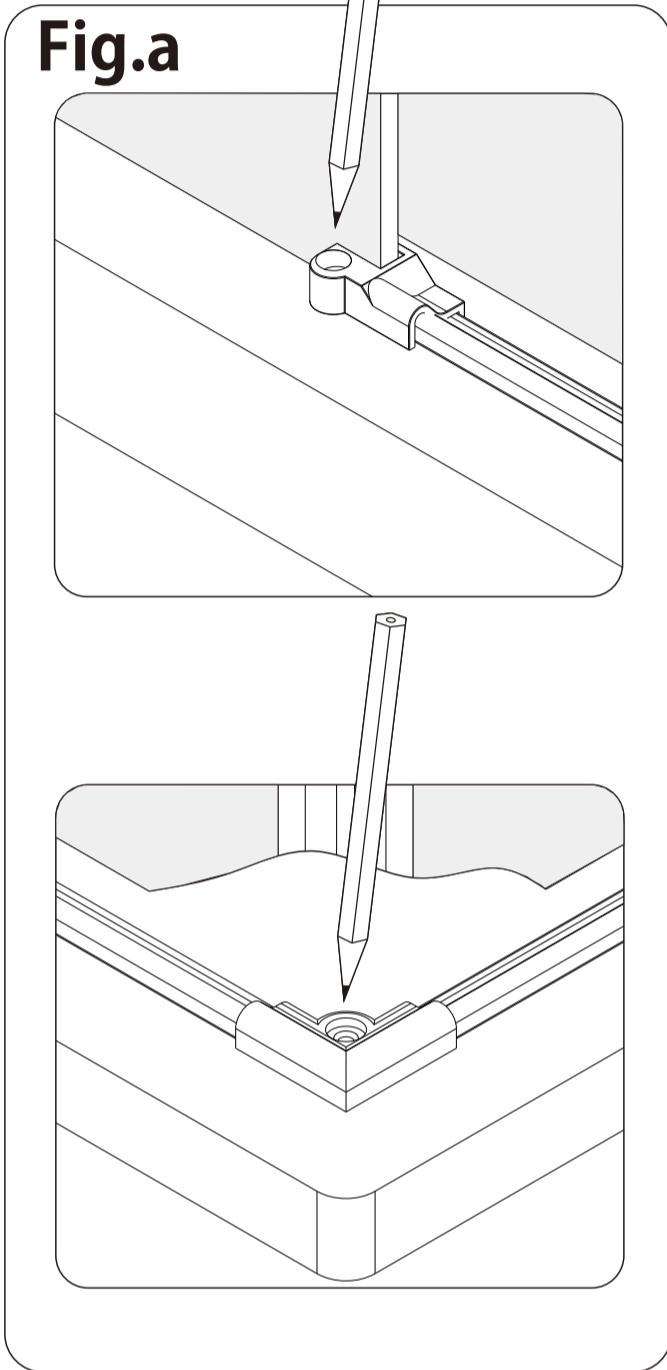
1. Place the **180° connector(I&J)** to the **Stationary Glass(B)** as Fig.a .
2. Insert one end of the **Aluminum threshold(M)** to the **180 degrees connector(I&J)** as Fig.b
3. Fit the the **90° connector(O)** to the other end of **Alu Threshold(M)** as Fig. c .



15 Install the **Connector(I&O&J)**.

NOTE

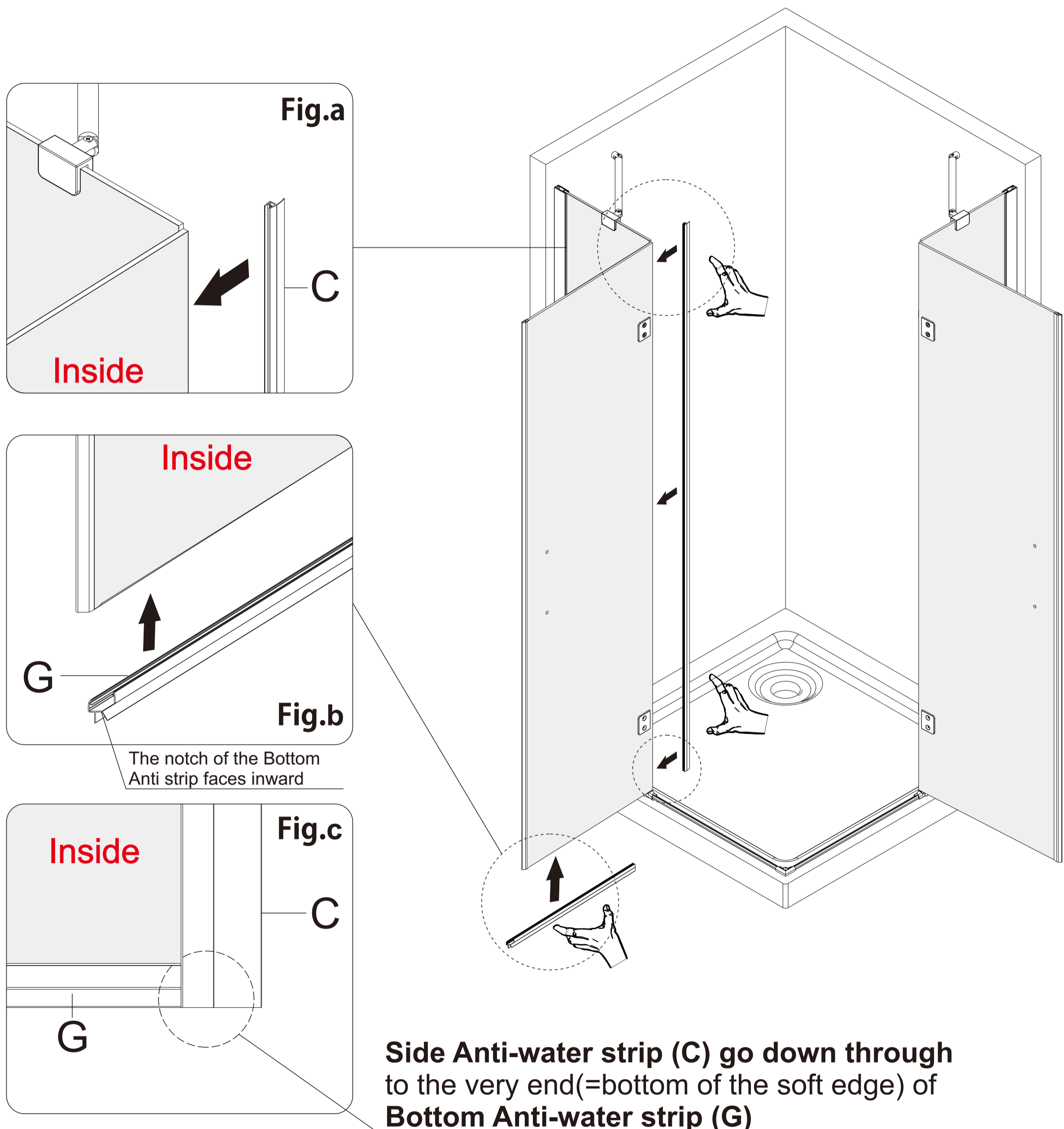
1. Mark the drilling point using the connector .
2. Mark the drilling point using the connector .
3. Fix them **connector(I&O&J)** with **screw(bb)** as Fig.c .
4. Insert the **Connectors(I&O&J)** cover cap as Fig.d .



16 Install **Anti-Water Strip(C)** and **Bottom Anti-Water Strip(G)** to the **Left Glass Door(E)**.

NOTE

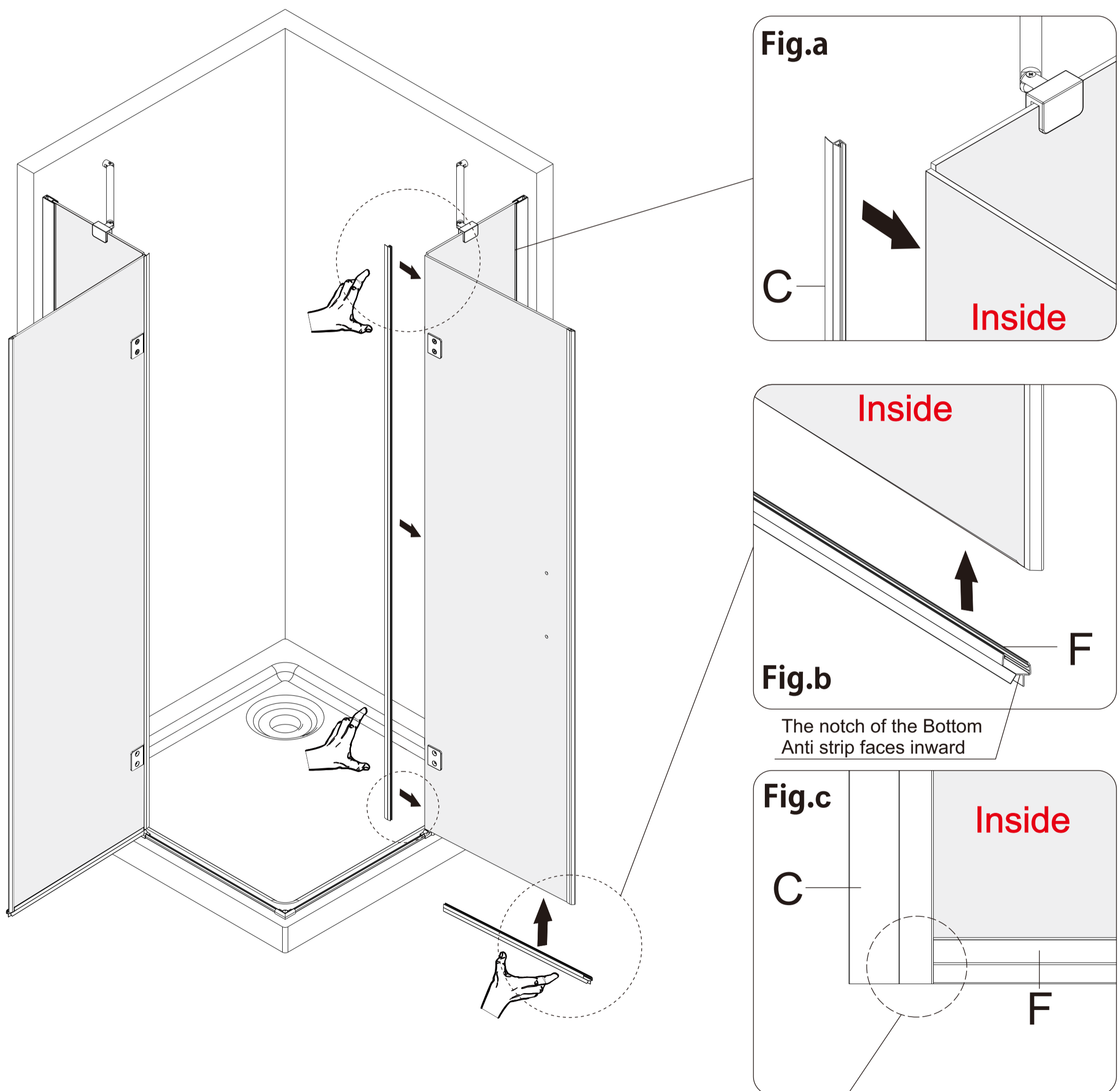
1. Install the **Anti-Water Strip(C)** to the **Left Glass Door(E)** as Fig.a .
2. Install the **Bottom Anti-Water Strip(G)** to the **Left Glass Door(E)** as Fig. b .
3. **Anti-Water Strip(C)** and **Bottom Anti-Water Strip(G)** should be and jointed flatly as Fig.c .



17 Install **Anti-Water Strip(C)** and **Bottom Anti-Water(F)** to the **Right glass door(E)**.

NOTE

1. Install the **Anti-Water Strip(C)** to the **Right glass door(E)** as Fig. a.
2. Install the **Bottom Anti-Water Strip(F)** to the **Right Glass Door(E)** as Fig.b .
3. **Anti-Water Strip(C)** and **Bottom Anti-Water Strip(F)** should be and jointed flatly as Fig.c .

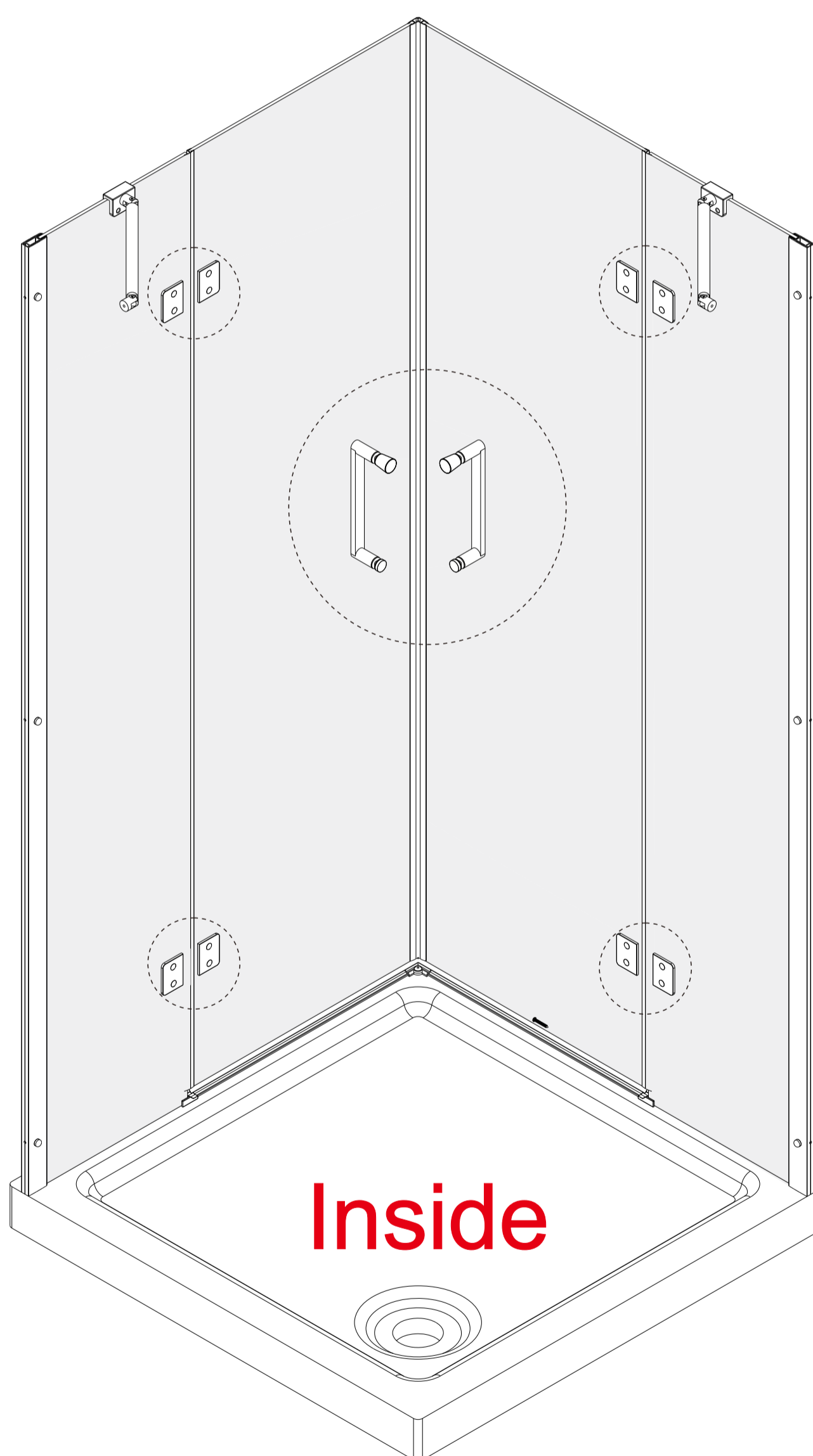
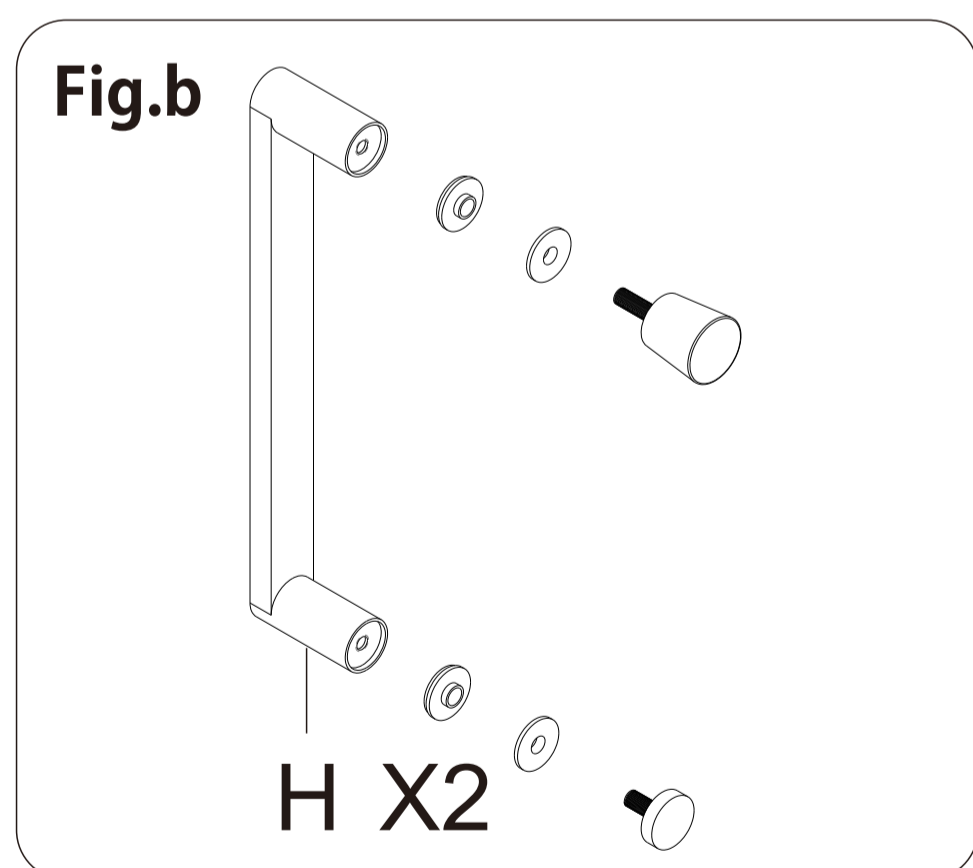
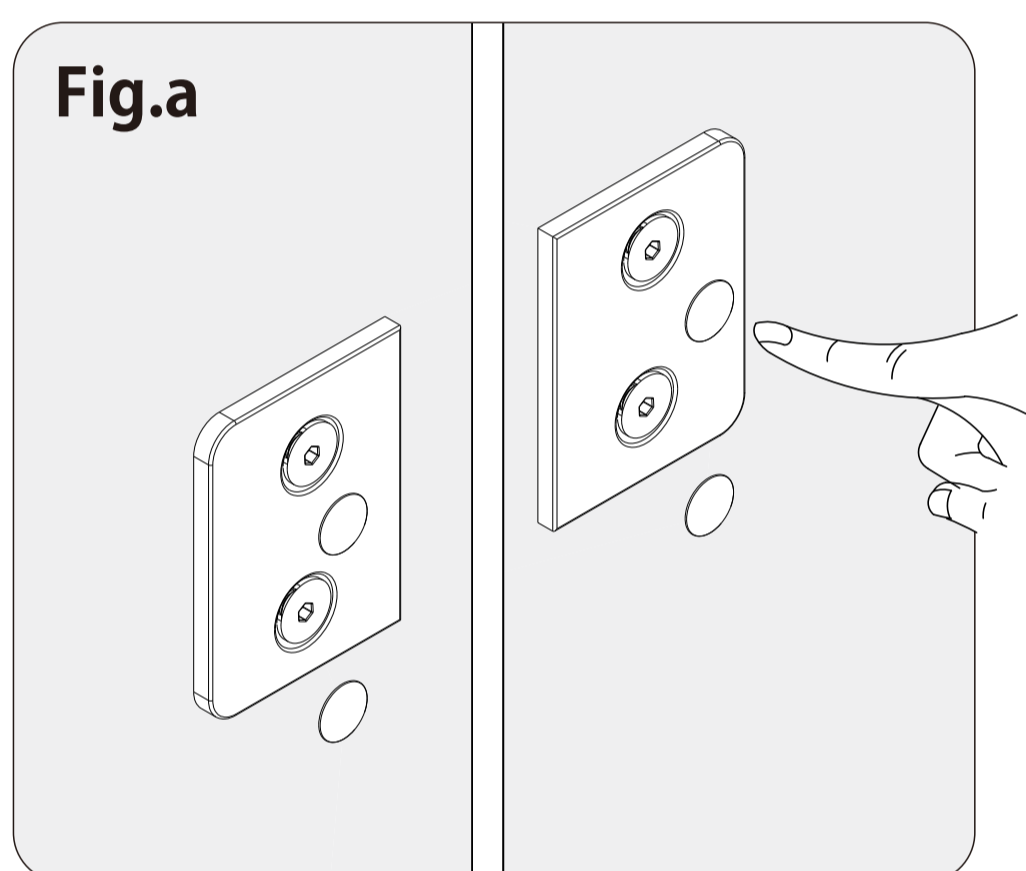


Side Anti-water strip (C) go down through to the very end(=bottom of the soft edge) of Bottom Anti-water strip (F)

18 Install **Handle(H)** and **Hinge(K&L)** screw caps

NOTE

1. Install Hinge(K&L) screw caps as Fig.a .
2. Install **Handle(H)** as Fig.b .



19

SEALING



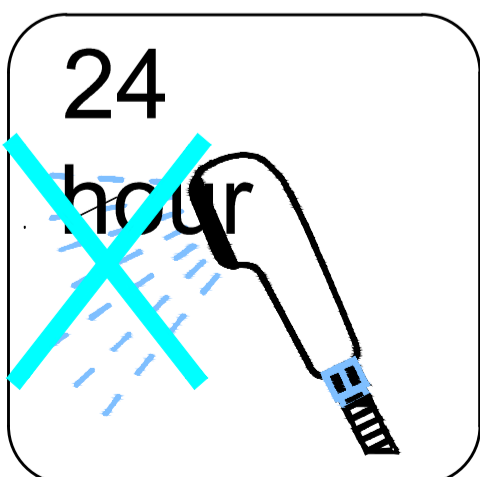
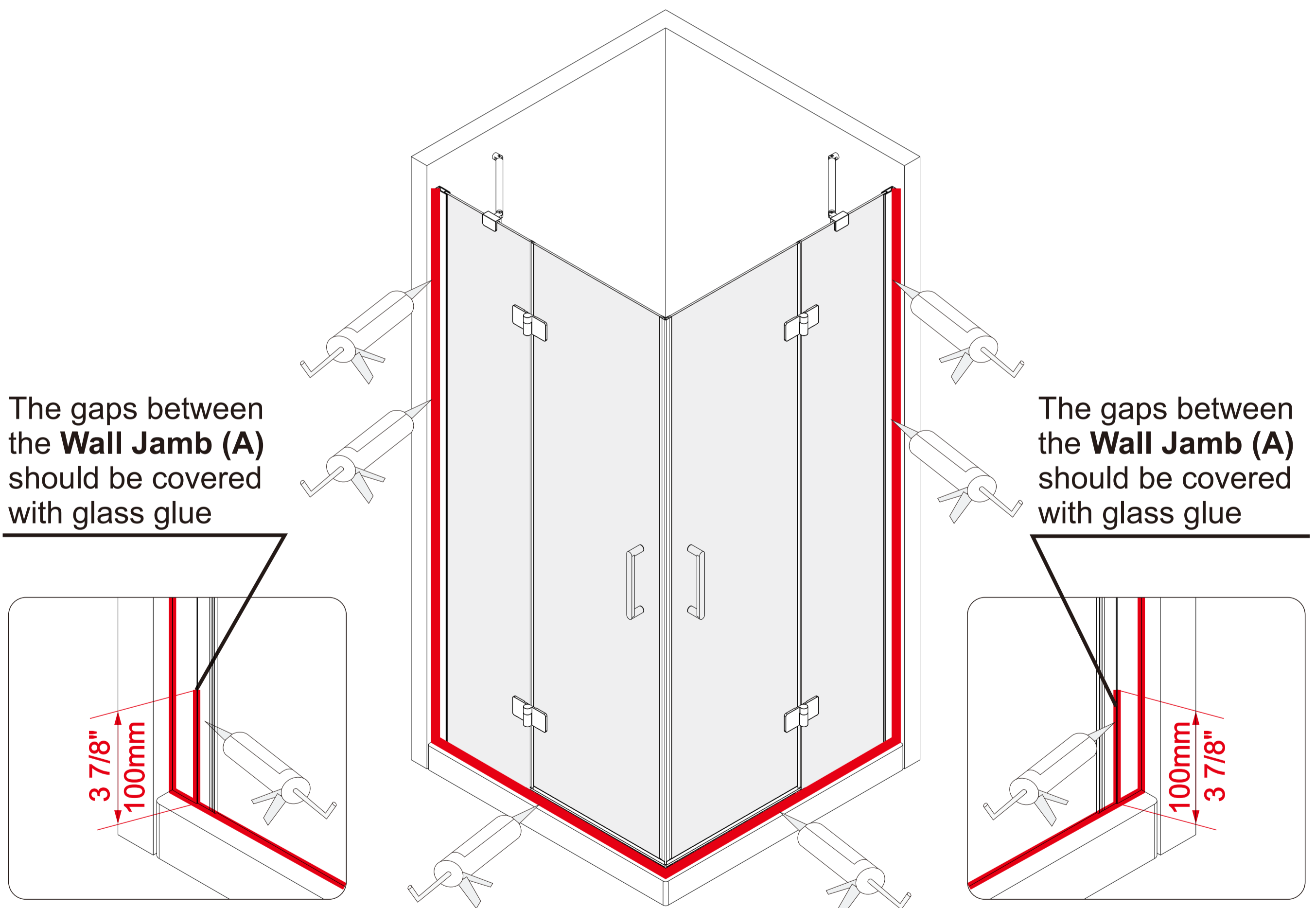
The surfaces need to be clean and free of debris before applying silicone.



Ensure that the Shower door closes tightly and opens smoothly. Apply a good quality silicone sealant along the **Wall Jamb(A)** and **Alu. Threshold(M)**.



Allow 24 hours for the silicone to cure before using the shower.



! Apply Silicone Sealant, (not supplied).

Apply silicone around the bottom rail.