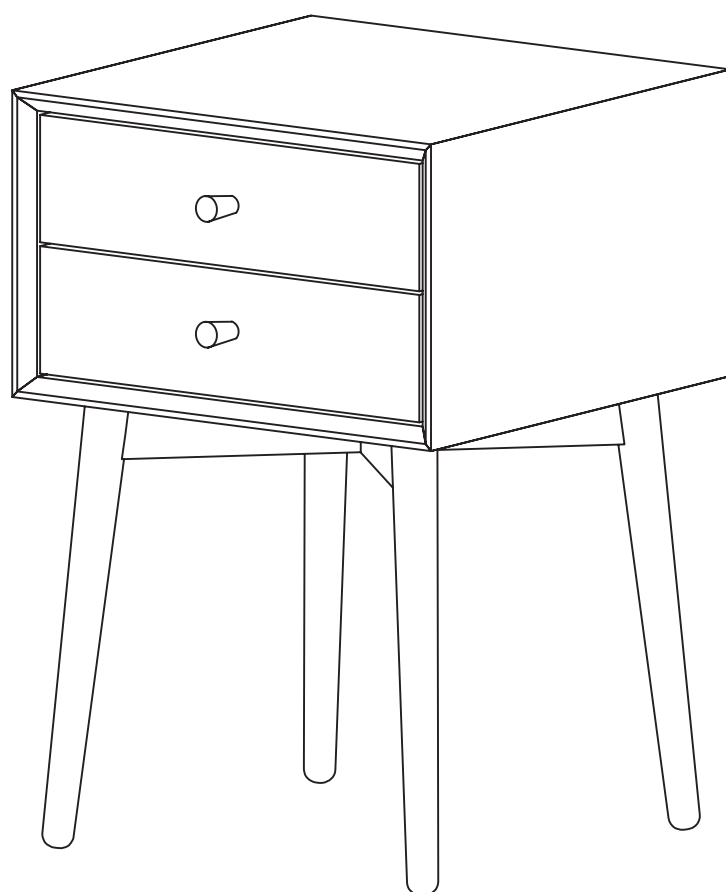


Let's build the

# Side Table



# Ok, let's get rolling

This should be easy, just follow our instructions and you will be back to Netflix in no time.

## Estimated time for assembly



15:00

## What you need

- Some of your favourite bubbly or your preferred relaxant
- Use the packaging carton as a working surface to prevent product damage during assembly
- Phillips Screwdriver

Do not use a drill



Weight Limitation **11**



**79**

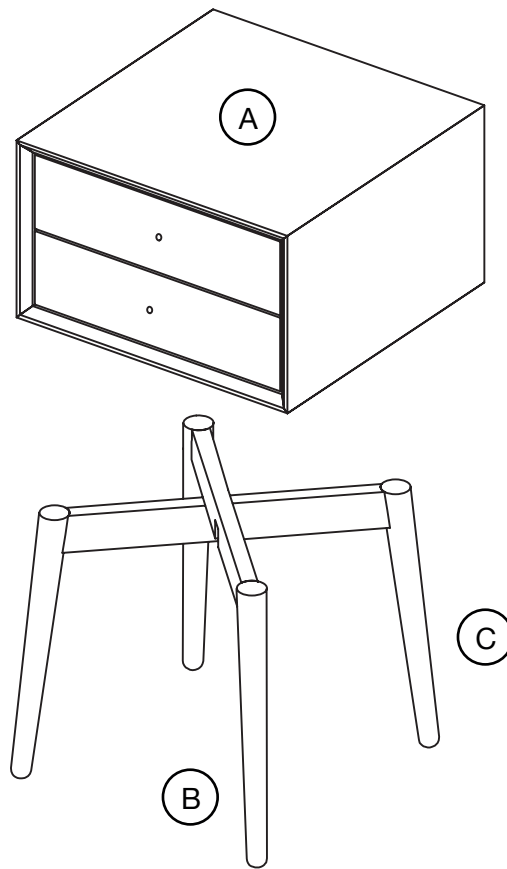
lbs for top

lbs for drawer

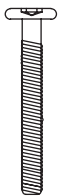
## What's included

Description	Qty
A Top with Drawer	1
B Leg 1	1
C Leg 2	1
1 1/4 x 2 Inch Hex Button Head Bolt	4
2 1/4 x 1-3/16 Inch Hex Button Head Bolt	1
3 1/4 x 3/8 Inch Spring Washer	5
4 1/4 x 1/2 Inch Flat Washer	5
5 Allen Key	1
6 Knob	2
7 5/32x1-3/8inch Knob Bolt	2

# The goods



1



2



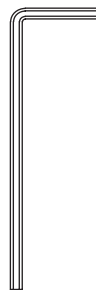
3



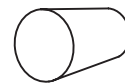
4



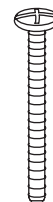
5



6



7

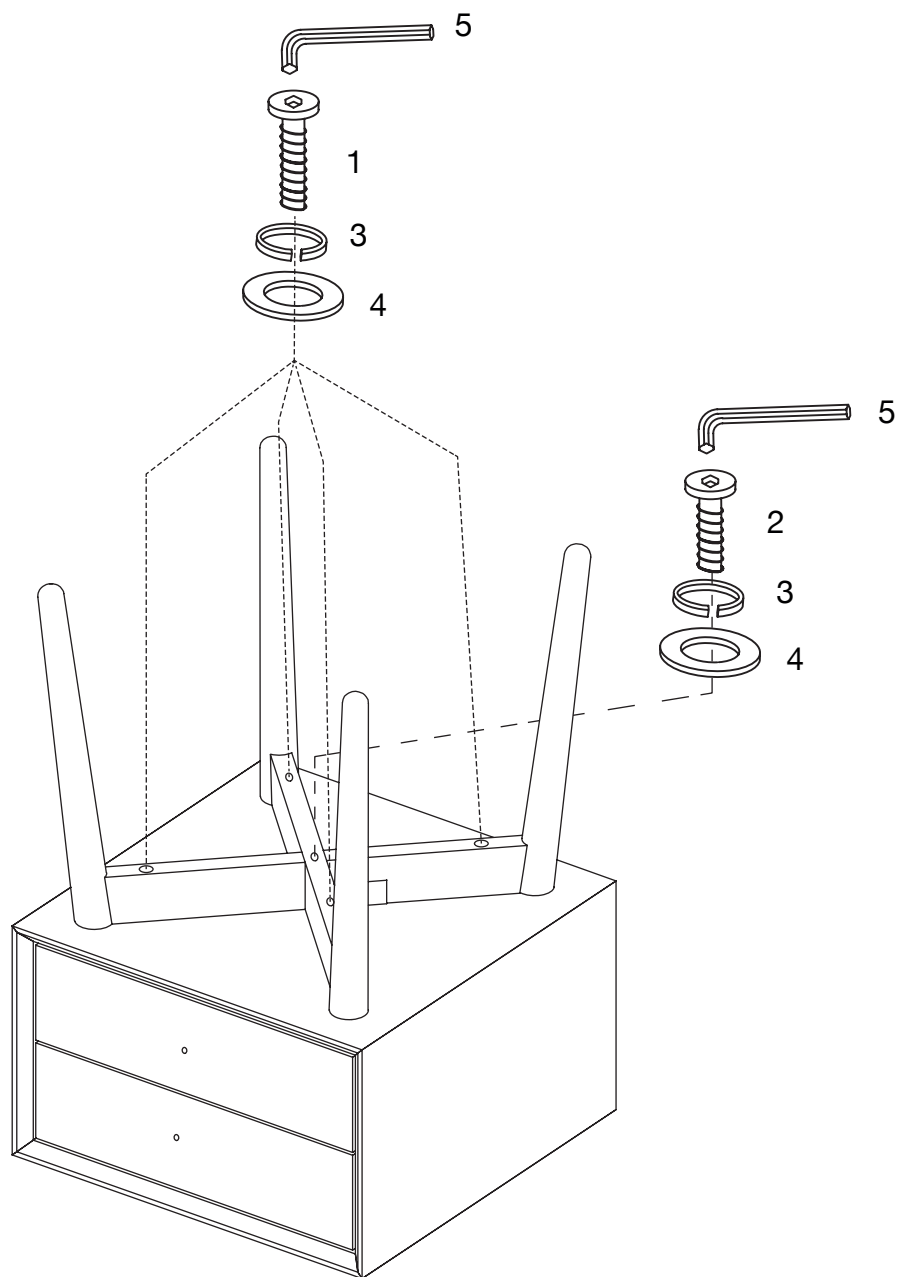


## IMPORTANT

1. Do not tighten bolts / screws completely until all bolts / screws are lined up and inserted into holes.
2. Do not over tighten screws and bolts to avoid stripping.
3. Please use hand tools to assemble this product. Do not use power tools.

# Step 1

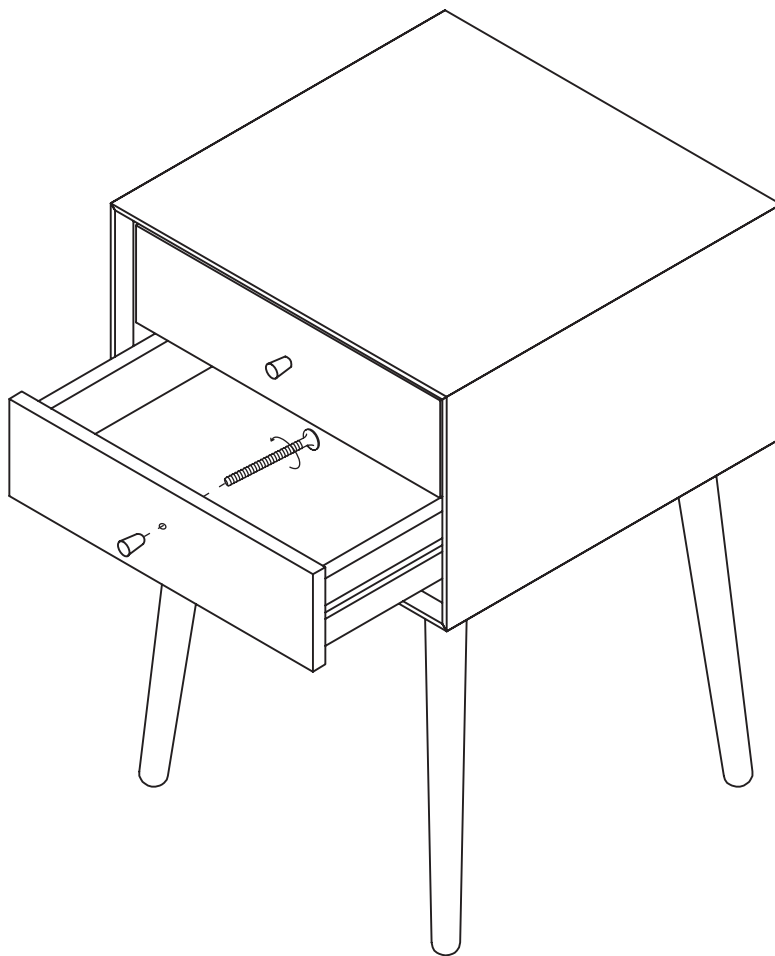
Let's get this thing fired up! Secure the legs on to the table top.



# Step 2

Screw in the knob into the drawer.

You're done! We told you it was going to be easy! Chip and Joanna Gaines would be so proud.



# No heartburn, when we handle the return

We will issue you a free replacement with **zero hassle**.

## Our way



Give us a call

---



Replacement

---



You

## Their way



Re-package item

---



Schedule pick up

---



Track package

---



Replacement

---



You

We really don't want you to go through the hassle of re-packaging your item and sending it back, because let's be honest...nobody has time for that.

# Safety first, fun later

We want your Side Table to last as long as possible, so we recommend that you tighten the screws 2 weeks after assembly and for added safety check the tightness of all screws every 2 months.

For proper care and treatment of wood please check our website

## Safe use of this product starts with you.

Use this Bar Stool responsibly with the primary concern for your safety. Follow assembly instructions carefully and inspect product upon receipt and each use.

And its parent companies cannot be held legally responsible for any injuries or death resulted from failure to follow instructions or improper use of this product.

## Do not modify the structure of this product in any way.

Our products have been tested to meet specific safety measures as they were originally intended to be sold. Any modifications will present the risk of creating significant safety issues which will not be responsible for.

## Proper use

- DO NOT** use for commercial purposes
- DO NOT** stand on side table
- DO NOT** leave spilled liquid on table top
- DO NOT** use side table if damaged
- DO NOT** make temporary repairs
- DO NOT** use outdoor

# We are only in business if you're happy

For starters, thanks for being you.

We do our best to ensure your furniture arrives without any problems, but occasionally mistakes happen—as humans we are imperfect beings. In the event that a part is damaged or missing, we will be more than happy to provide you with replacement part(s) for free.

## **Warranty**

This product comes with a lifetime warranty from the date of purchase.