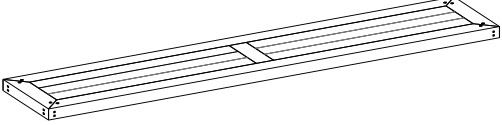
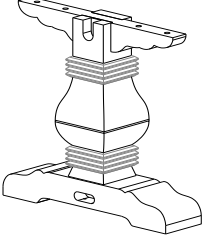
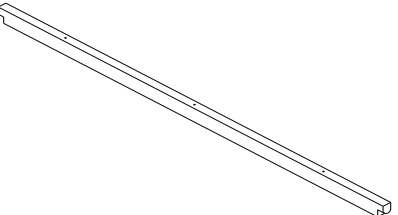
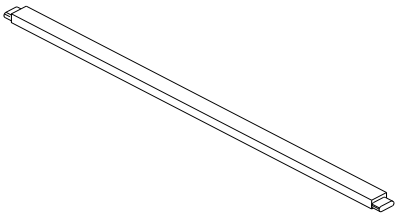
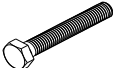
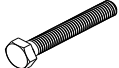








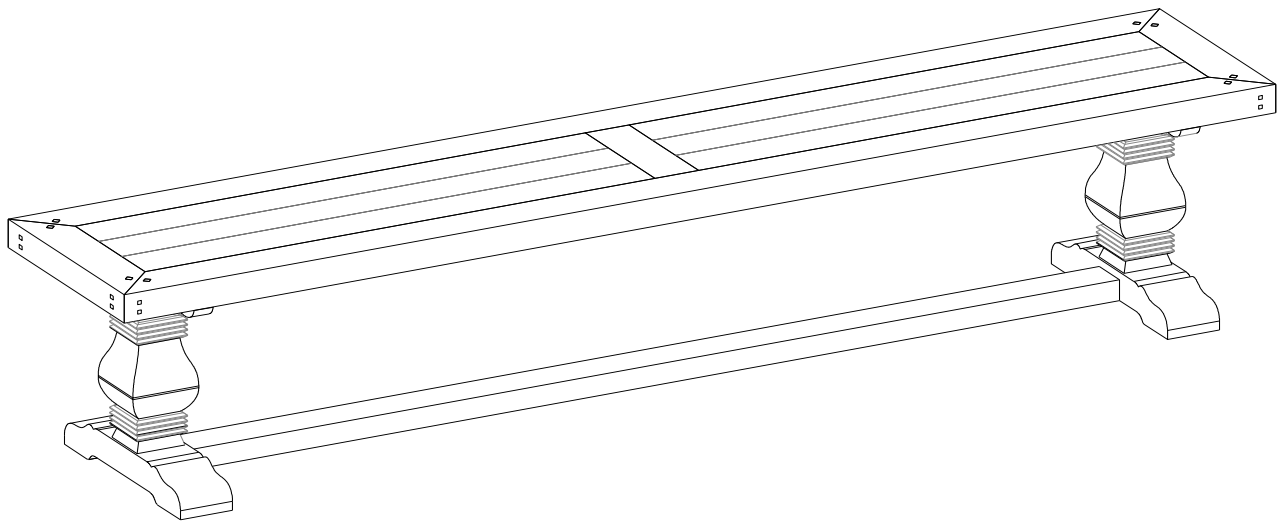


# ASSEMBLY INSTRUCTIONS

## PARTS LIST

A	BENCH TOP X 1		<p><b>Before beginning</b></p> <p>1 - Carefully unpack and position the item on a clean, non-marring surface to assemble.</p> <p>2 - Read this Assembly Instructions from beginning to end before starting to assemble.</p> <p>3 - Take an inventory of the required parts to ensure all are available.</p> <p>4 - To prevent accidental choking hazards, keep all packing materials away from small children.</p> <p>5 - Only tighten hardware until ALL hardware are fully engaged on their locations. Overtighten bolts will damage the bolt threads.</p> <p>6 - Use only factory provided hardware to assemble. Unapproved hardware can damage product or jeopardize the structural integrity of the product.</p> <p>7 - The use of power tool to assemble is not recommended due to high risk of over-torque, which can damage the product.</p>								
B	LEG X 2										
C	TOP SUPPORT X 1										
D	STRETCHER X 1										

Z	HARDWARE	<p>Z1</p>  <p>8X60MM X 4</p>	<p>Z2</p>  <p>8X50MM X 4</p>	<p>Z3</p>  <p>8X12X2MM X 8</p>	<p>Z4</p>  <p>8X19X2MM X 8</p>	<p>Z5</p>  <p>4X40MM X 3</p>	<p>Z6</p>  <p>4X30MM X 4</p>	<p>Z7</p>  <p>4X9X1MM X 7</p>	<p>Z8</p>  <p>Screwdriver</p>	<p>Z9</p>  <p>OPEN WRENCH K13</p>	<p>Z10</p>  <p>X4 Adjustable Floor Glide (Pre-installed at the bottom of the legs)</p>
---	----------	---	---	---	---	---	--	--	--	--	---



ASSEMBLY REQUIRES TWO PEOPLE



20-MINUTE ASSEMBLY TIME

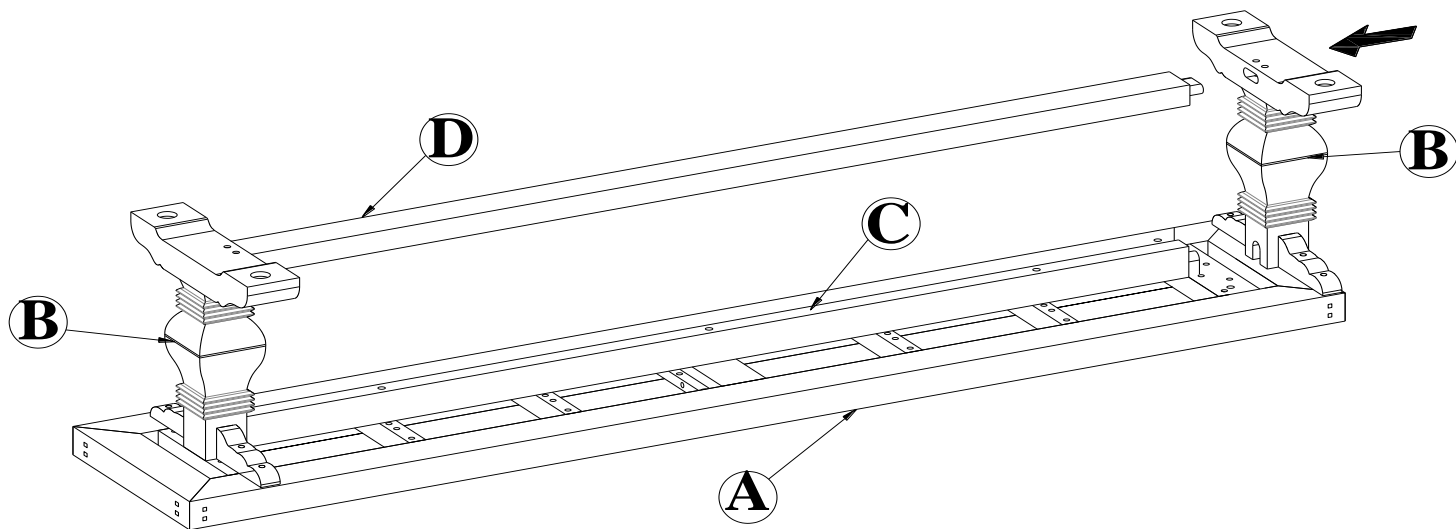


KEEP INSTRUCTIONS FOR FUTURE USE



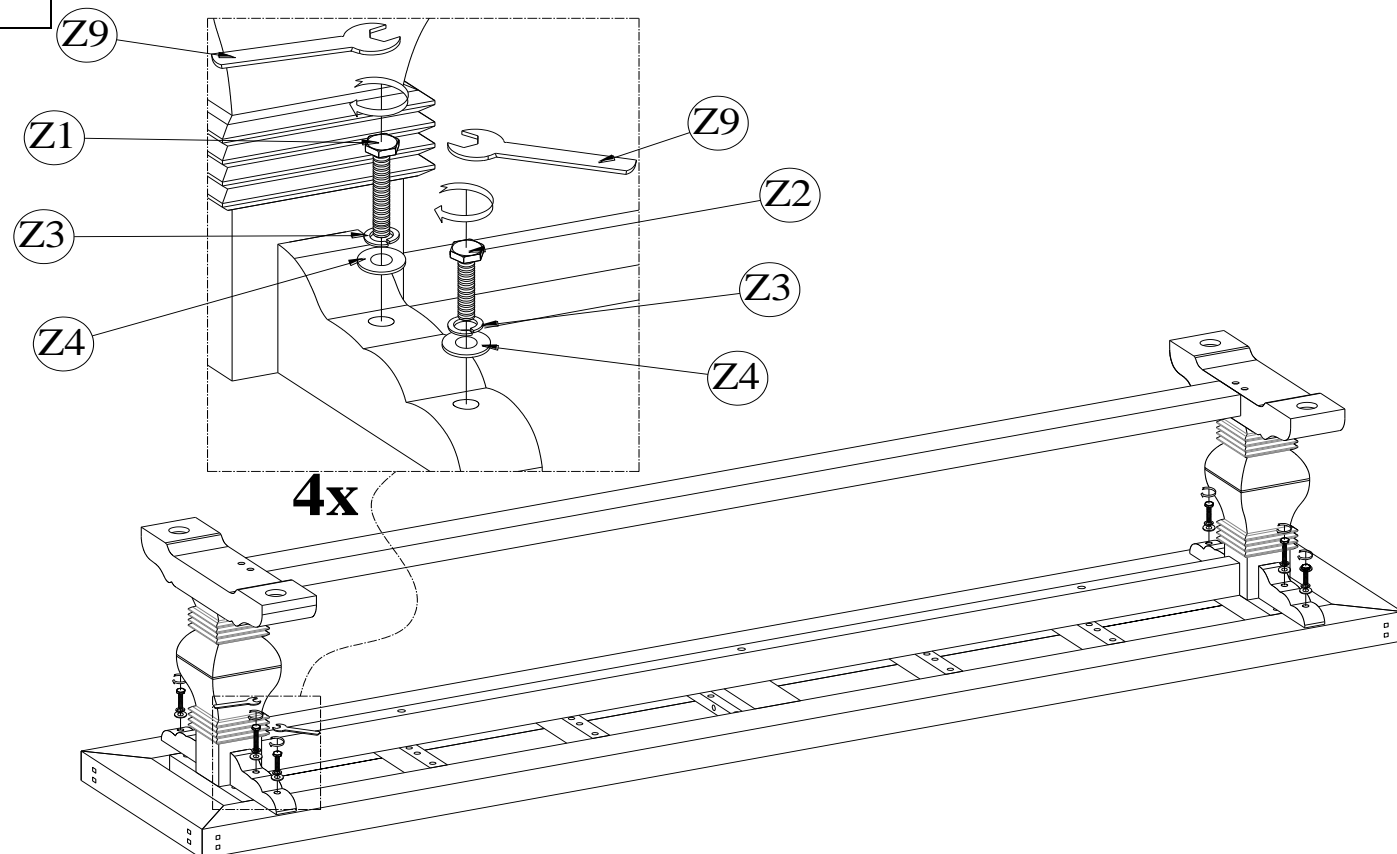
# ASSEMBLY INSTRUCTIONS

1



- Fit the Legs (B), Top Support (C) and Stretcher (D) to the Bench Top (A).

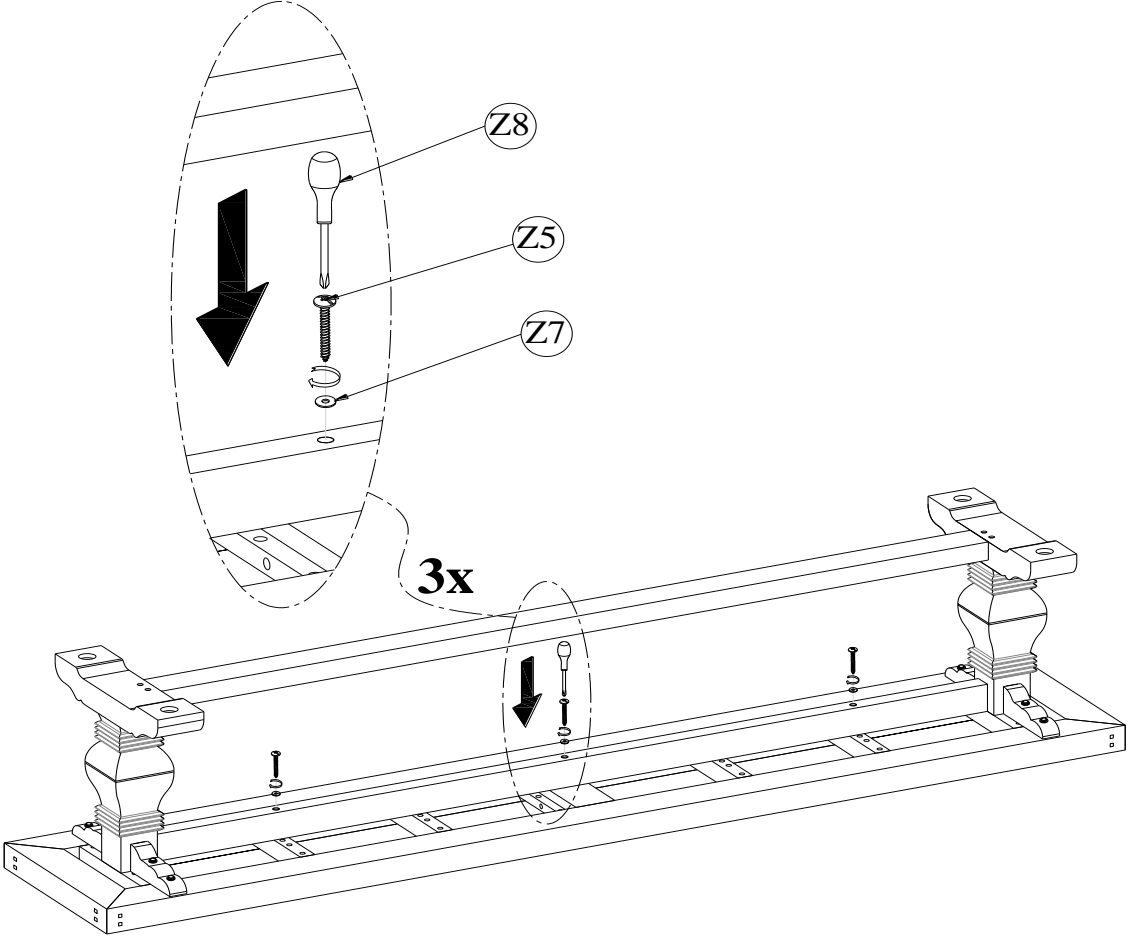
2



- Using Open Wrench (Z9) to tighten all Bolts (Z1), Bolts (Z2), Spring Washers (Z3) and Washers (Z4) .

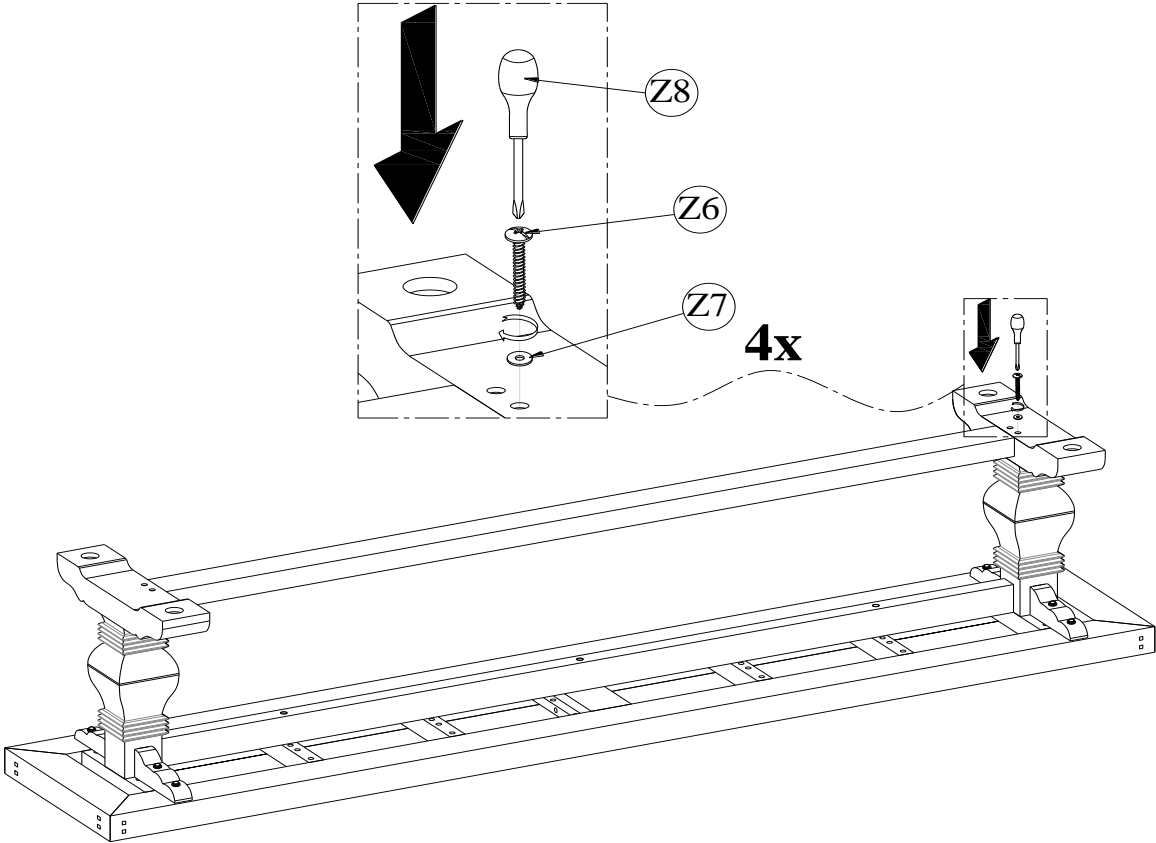
ASSEMBLY INSTRUCTIONS

3



-Using Screwdriver (Z8) to tighten Screws (Z5) and Washers (Z7).

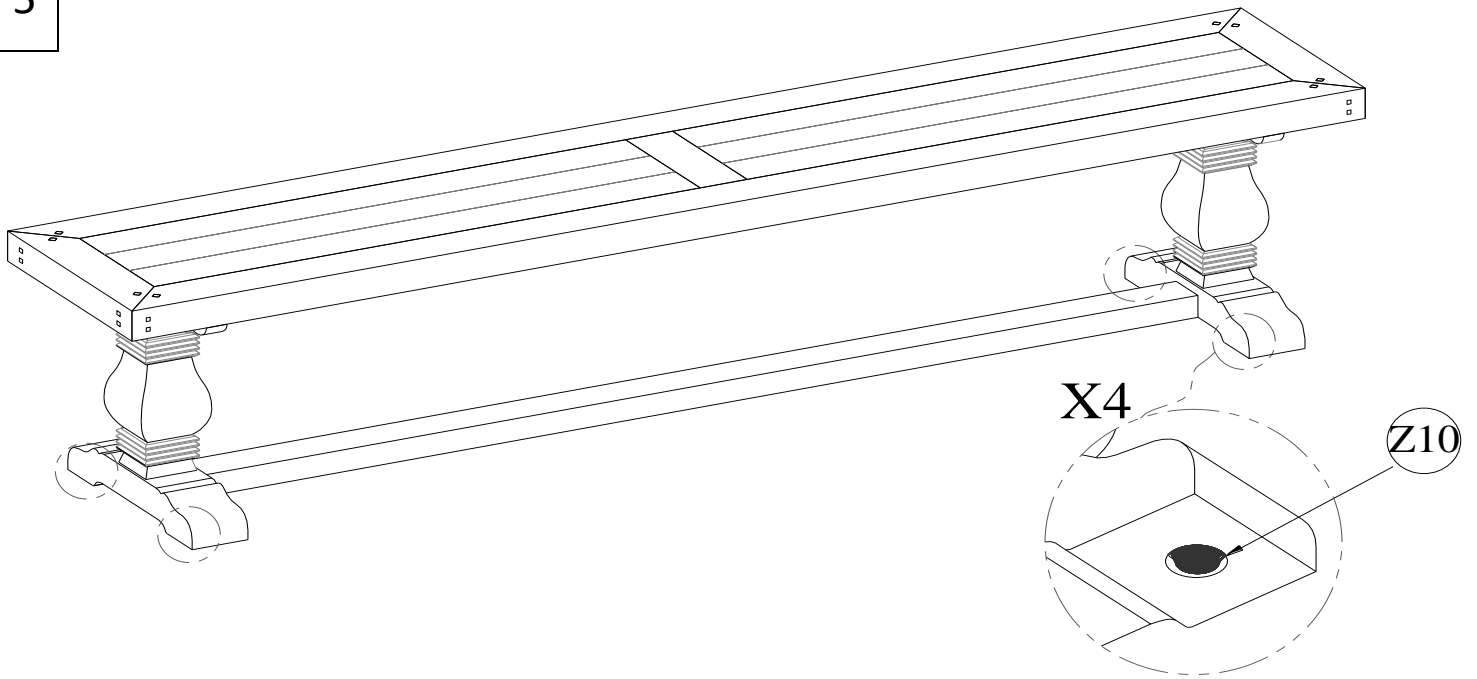
4



- Using Screwdriver (Z8) to tighten all Screws (Z6) and Washers (Z7).

# ASSEMBLY INSTRUCTIONS

5



- With two people carefully turn the Bench over and stand on its legs.
- If the Bench doesn't sit level, please adjust the Adjustable levelers under the legs.
- Completed item.