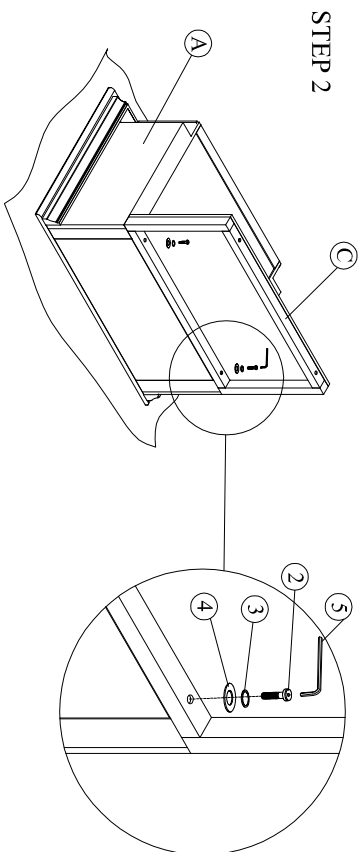
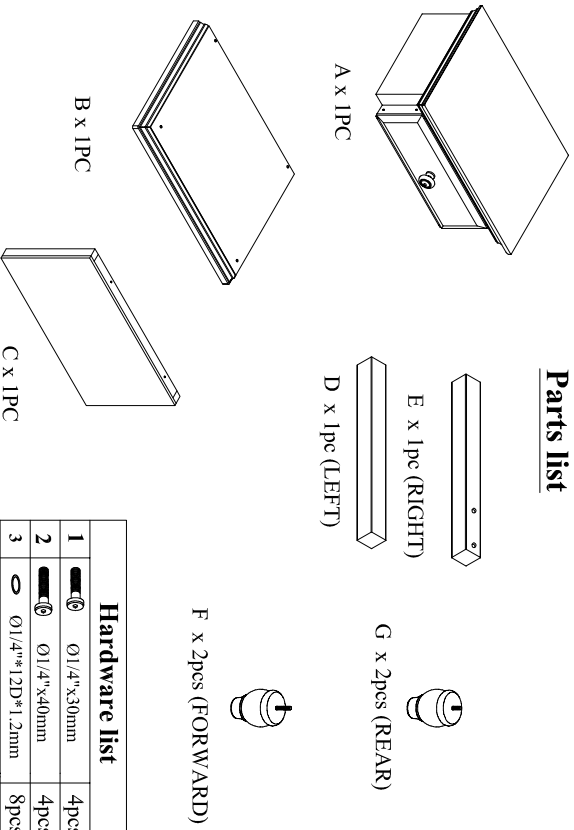
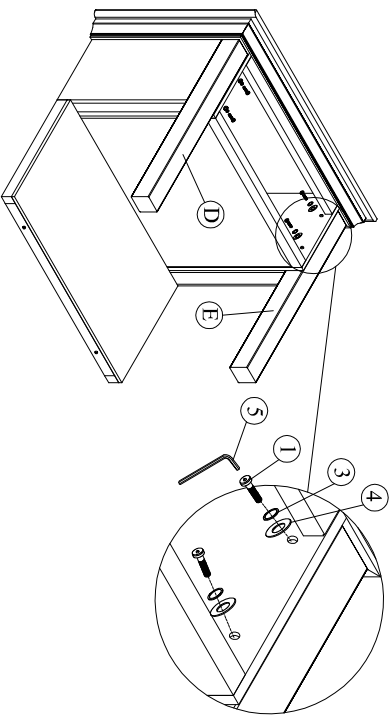


**Parts list**

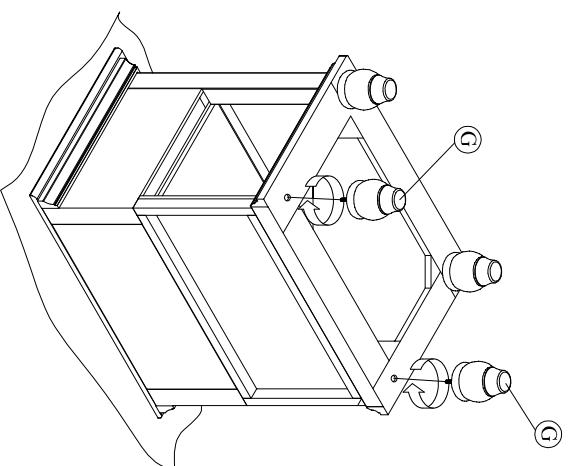


Hardware list	
1	4pcs 01/4"x30mm
2	4pcs 01/4"x40mm
3	8pcs 01/4"*12D*1.2mm
4	8pcs 01/4"*19D*2mm
5	1pc 4mm*58mm

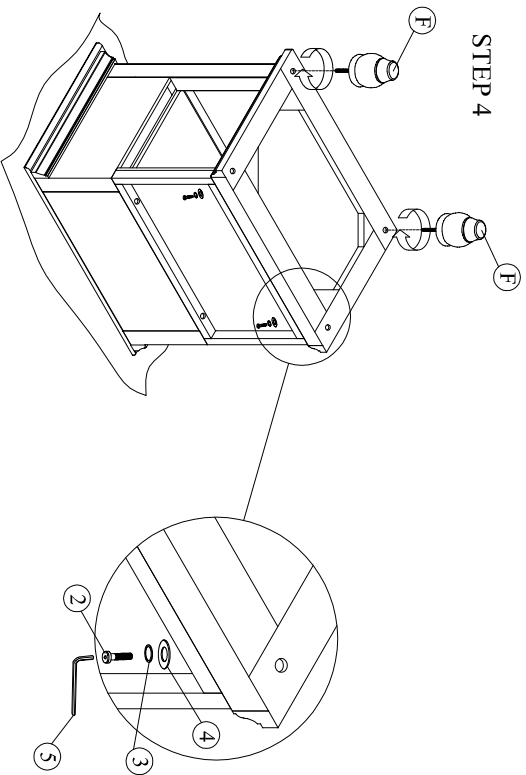
STEP 3



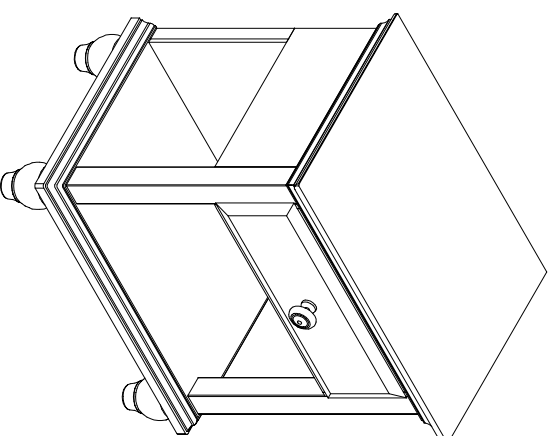
STEP 5



STEP 4



STEP 6



After tightening feet to move