

Vision 6075

Features

- Bathroom Sink
- Made of Ceramic
- Available in 3 Finishes: Glossy White, Glossy Black, and Matte Black
- Without Overflow
- Countertop (Vessel) Installation
- Thin Edge: Reduced Thickness for a Captivating Design
- Made in Europe



Related Items:

- WSBC 53995 | Push Waste Drain
- WSBC 53922 | Decorative Trap

SKU# | Options:

- Vision 6075 WG | Glossy White
- Vision 6075 BG | Glossy Black
- Vision 6075 BM | Matte Black

Finishes:

-  Glossy White
-  Matte Black
-  Glossy Black

Codes & Standards:

- UL Certified  CERTIFIED
- ASME A112.19.2/CSA B45.1 Certified
- Massachusetts Plumbing Approved

* WS Bath Collections reserves the right to revise dimensions or information on this sheet without notice

Collection |
Vision

Model |
Vision 6075

Dimensions Metric

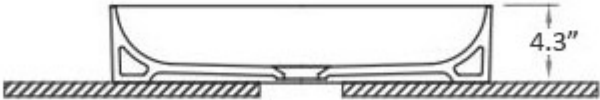
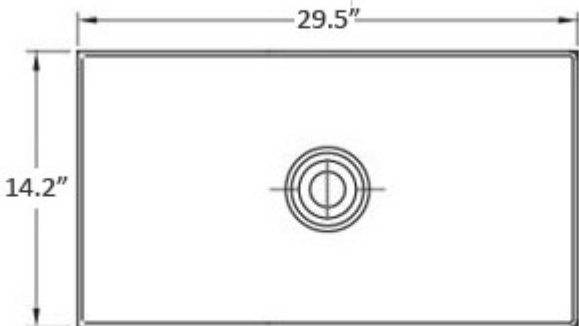
1 inch = 2.54 cm

1 inch = 25.4 mm




1051 Lea Drive - Collegeville, PA 19426
Tel. 215 513 9400 - Fax 610 831 0215

www.ws bathcollections.com - info@ws bathcollections.com



* WS Bath Collections reserves the right to revise dimensions or information on this sheet without notice

<p>Collection Vision</p>	<p>Model Vision 6075</p>	<p>Dimensions Metric <i>1 inch = 2.54 cm</i> <i>1 inch = 25.4 mm</i></p>	<p> 1051 Lea Drive - Collegeville, PA 19426 Tel. 215 513 9400 - Fax 610 831 0215 www.ws bathcollections.com - info@ws bathcollections.com</p>
---------------------------------------	---------------------------------------	--	---

We recommend the following items that work with your sink.

Vision 6075

TRAPS



WSBC 53922
Our best seller

Polished Chrome
WSBC 53922.29

Matte Black
WSBC 53922.22



WSBC 5392

Polished Chrome
WSBC 5392.29



WSBC 53925

Polished Chrome
WSBC 53925.29



WSBC 53921
Space saving

Polished Chrome
WSBC 53921.29

Matte Black
WSBC 53921.22

DRAINS



WSBC 53995
Push waste drain (click clack)
without overflow

Polished Chrome
WSBC 53995.29

Matte Black
WSBC 53995.22

MOUNTING HARDWARE

Wall-mount installation

Vessel/ countertop installation



Bolts



Silicone (optional)

Collection
Vision

Model |
Vision 6075

Dimensions Metric
1 inch = 2.54 cm
1 inch = 25.4 mm

WS[®]
BATH
COLLECTIONS

1051 Lea Drive - Collegeville, PA 19426
Tel. 215 513 9400 - Fax 610 831 0215
www.ws bathcollections.com - info@ws bathcollections.com