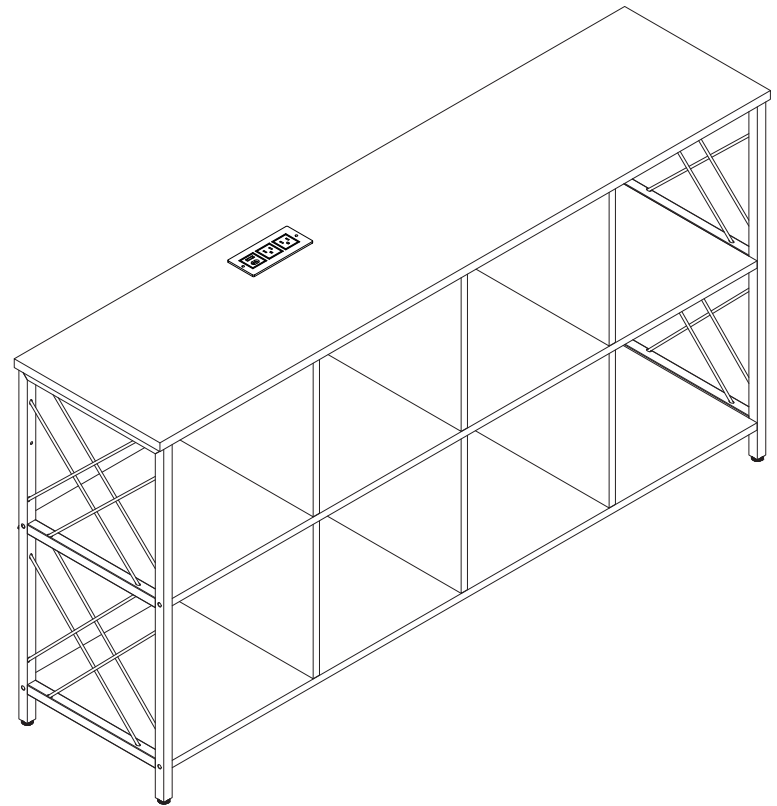
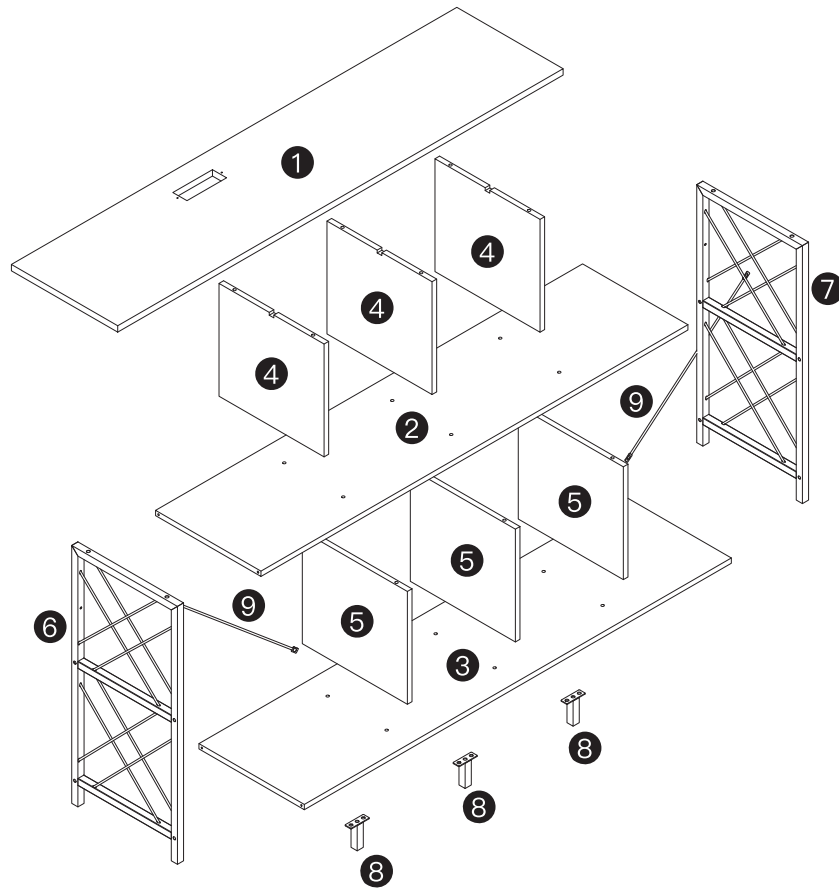


ASSEMBLY INSTRUCTION



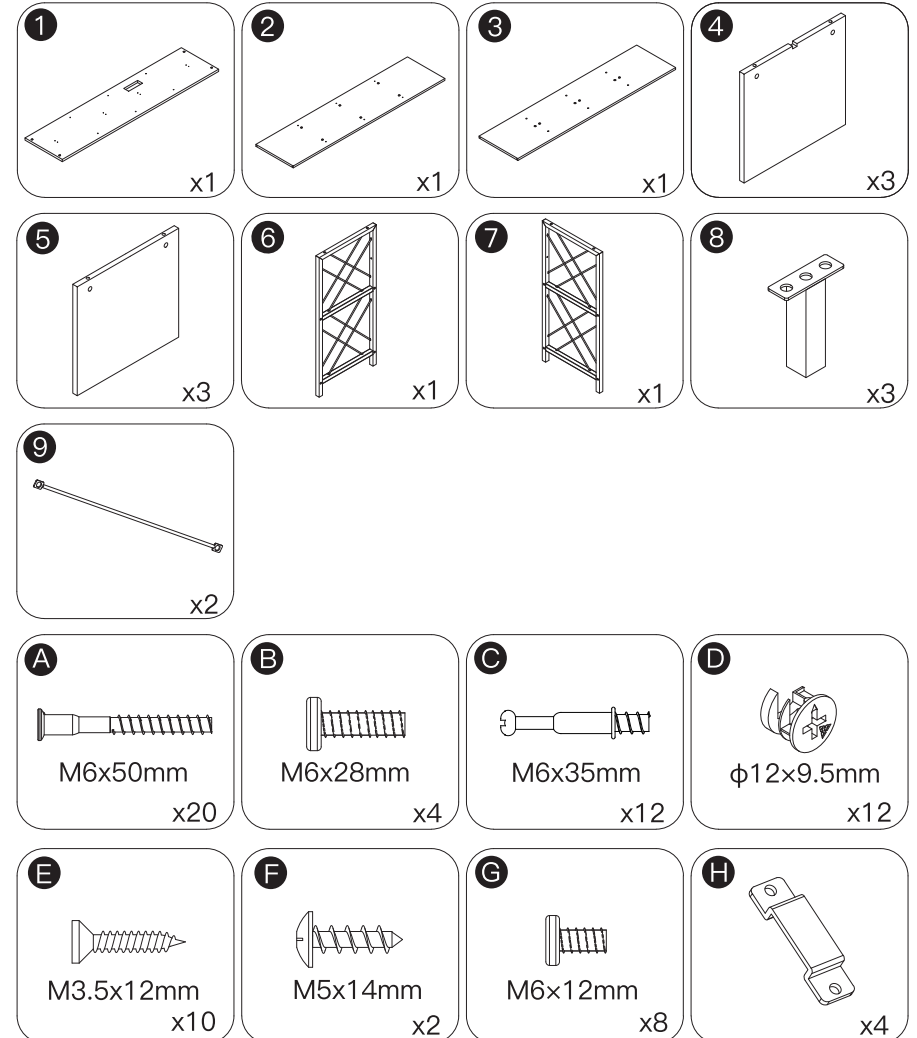
EXPLODED DRAWING:

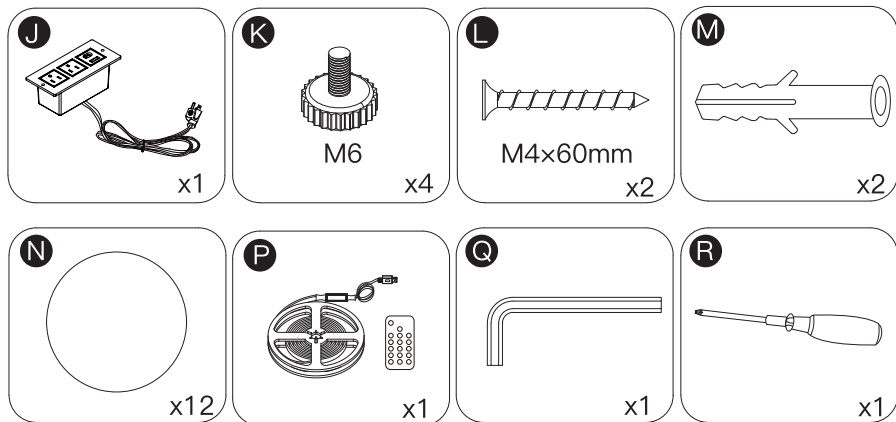


Please check all parts and accessories according to the parts list before assembling, make sure all contents are sufficient and in good condition.

If there is any parts missing or defective, please contact us immediately with purchase platform message to get replacement parts.

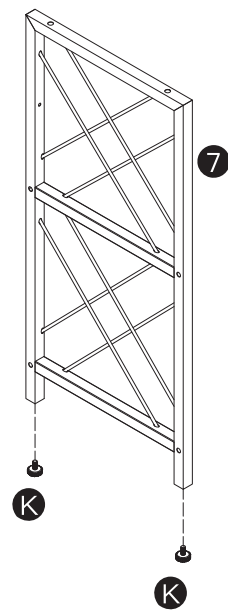
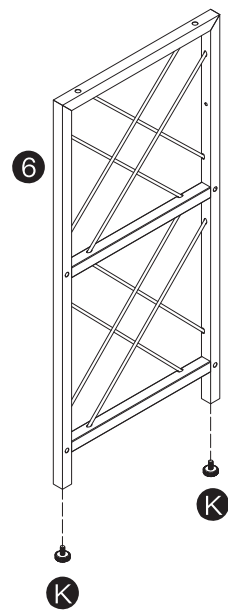
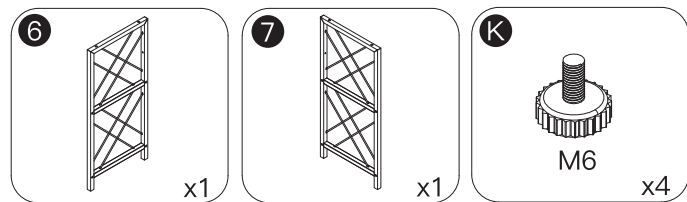
PARTS:



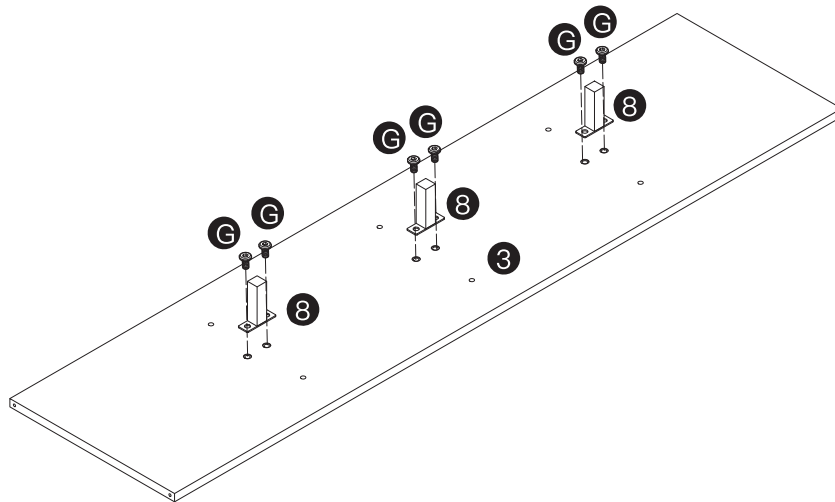
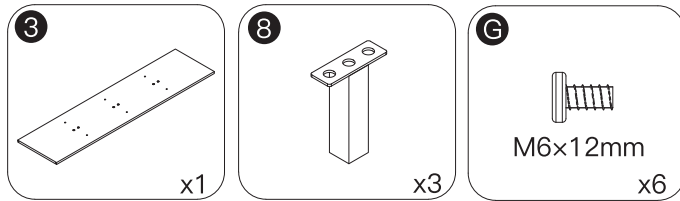


HOW TO INSTALL

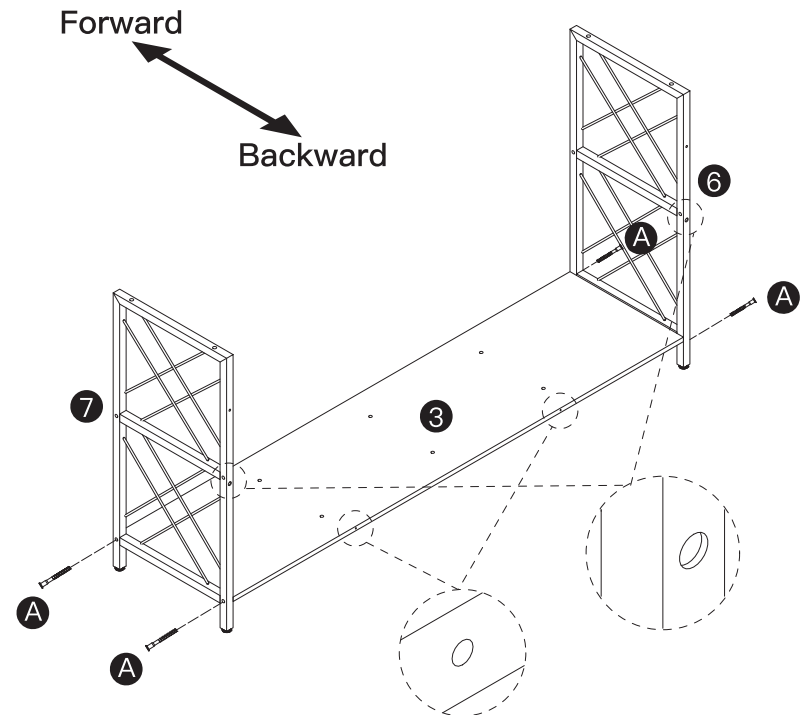
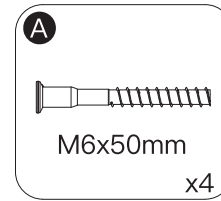
STEP 1



STEP 2



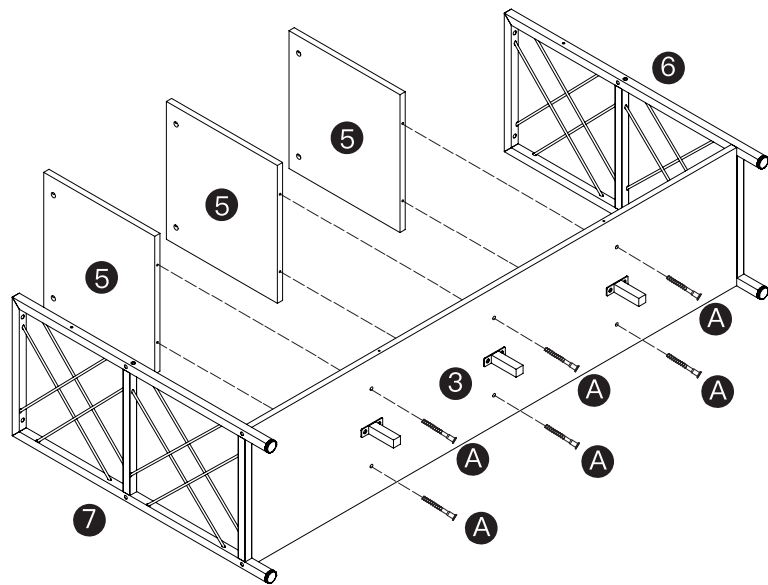
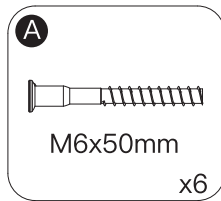
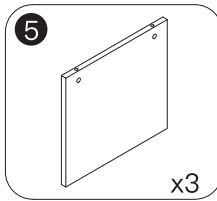
STEP 3



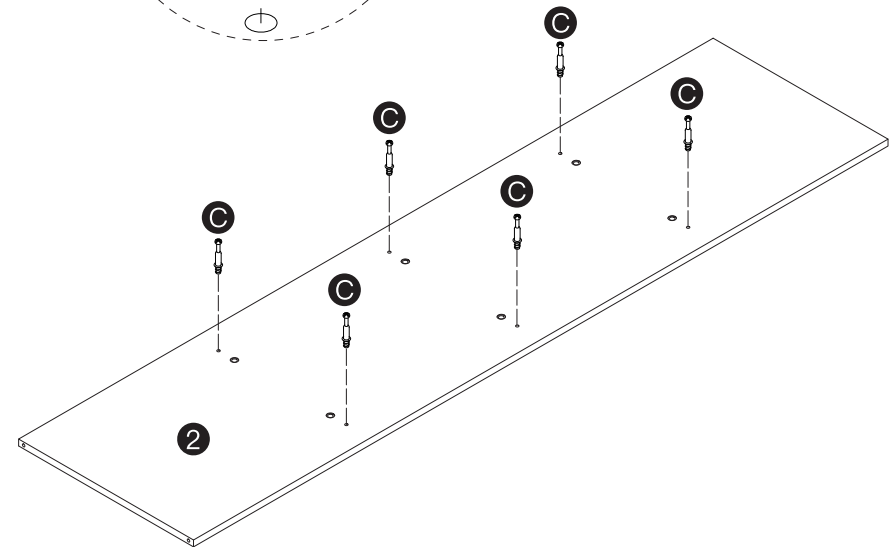
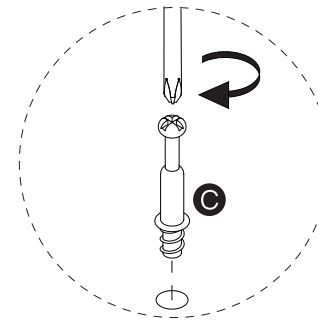
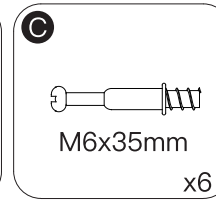
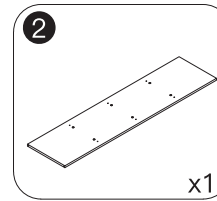
NOTICE:

Please ensure that the holes on this side of parts 3 & 6 & 7 are facing backwards.

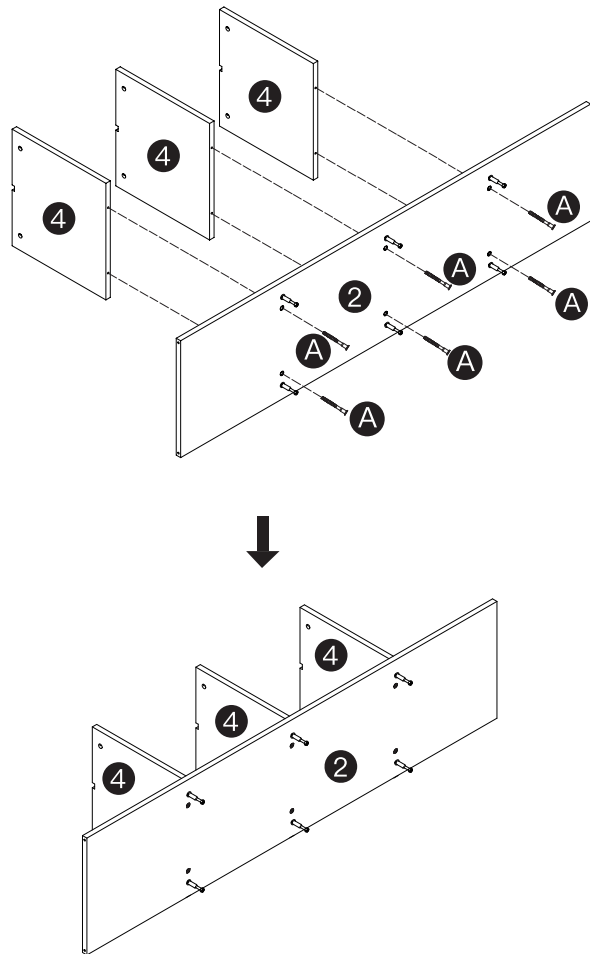
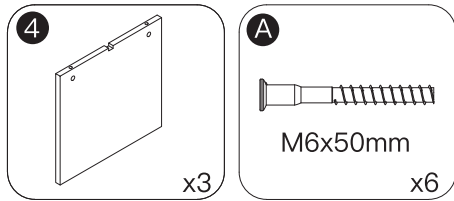
STEP 4



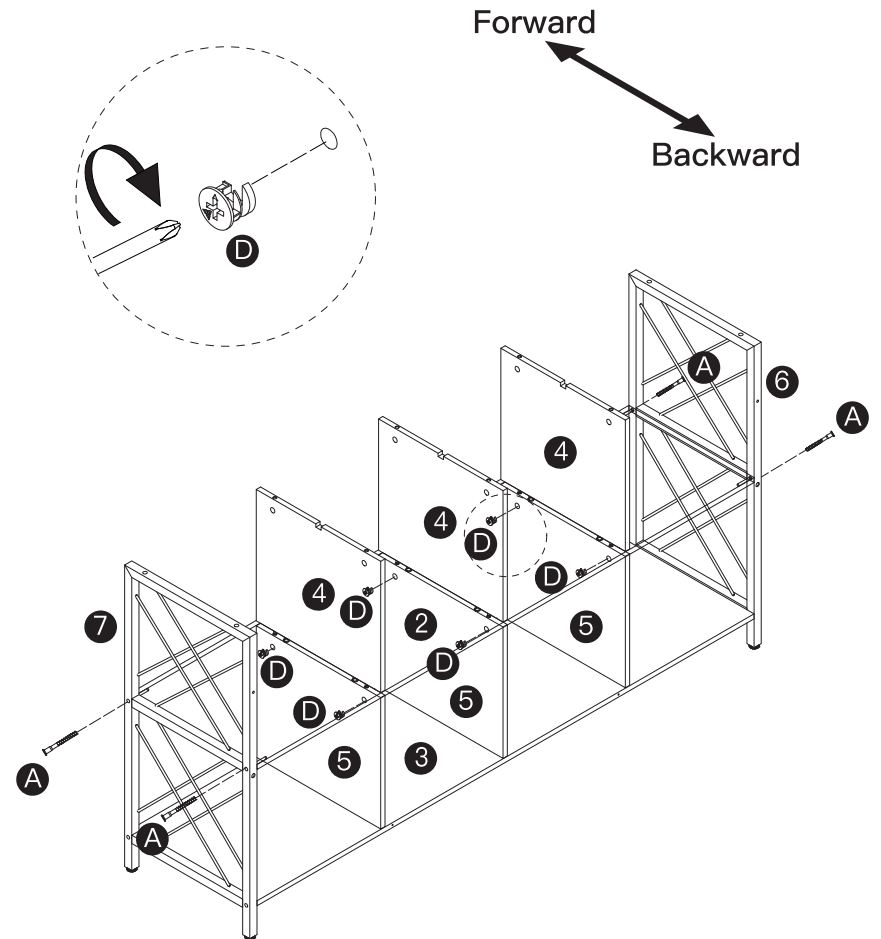
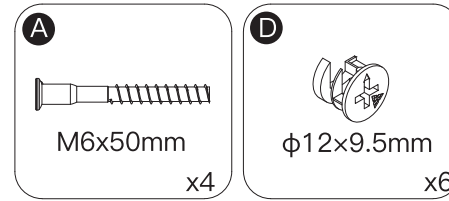
STEP 5



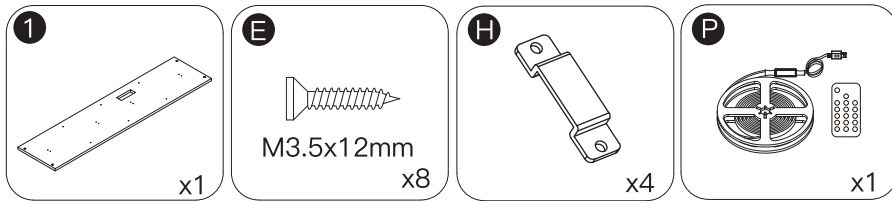
STEP 6



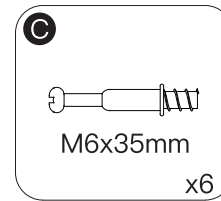
STEP 7



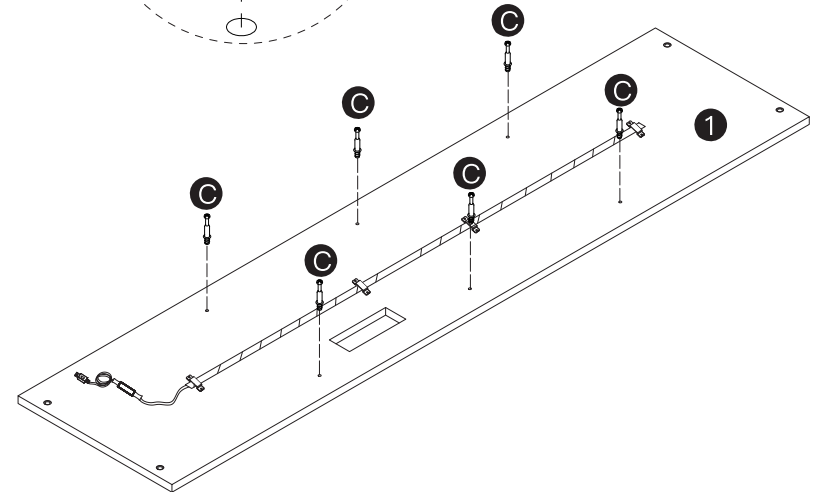
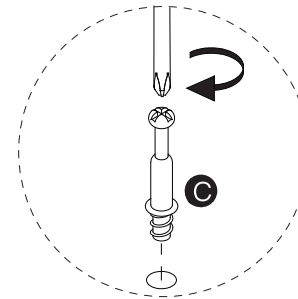
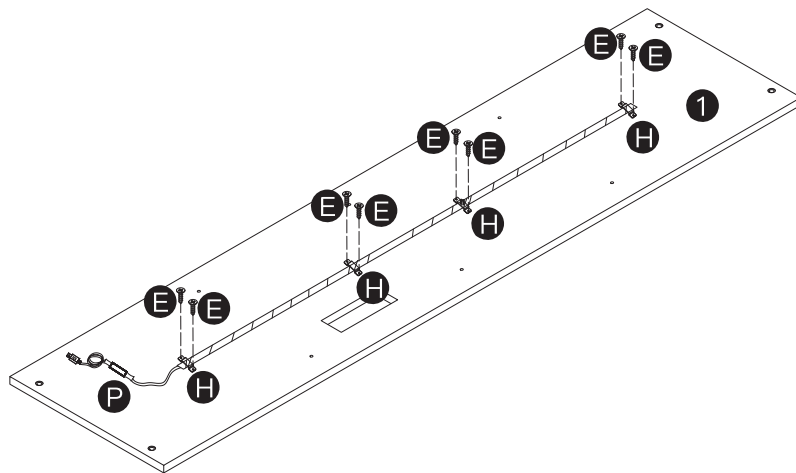
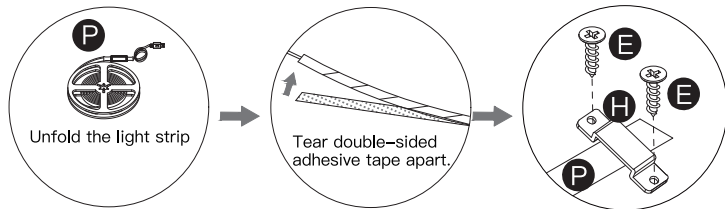
STEP 8



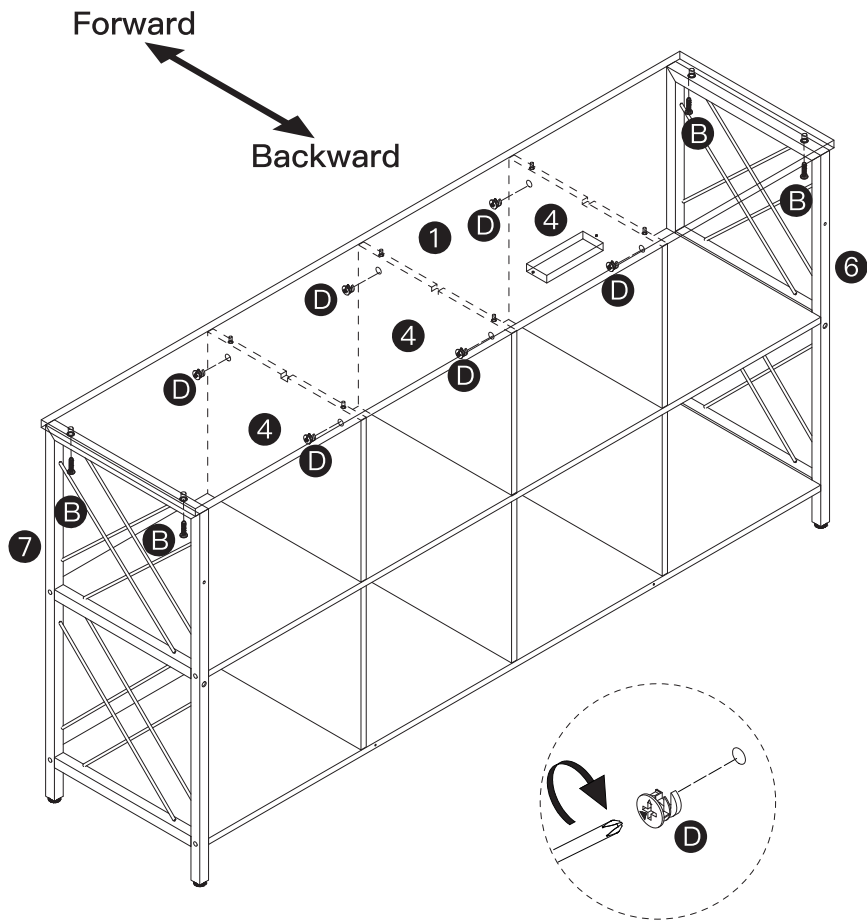
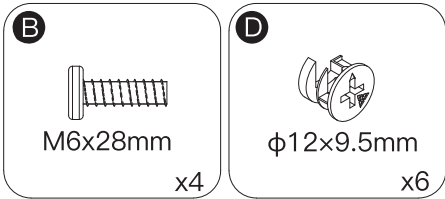
STEP 9



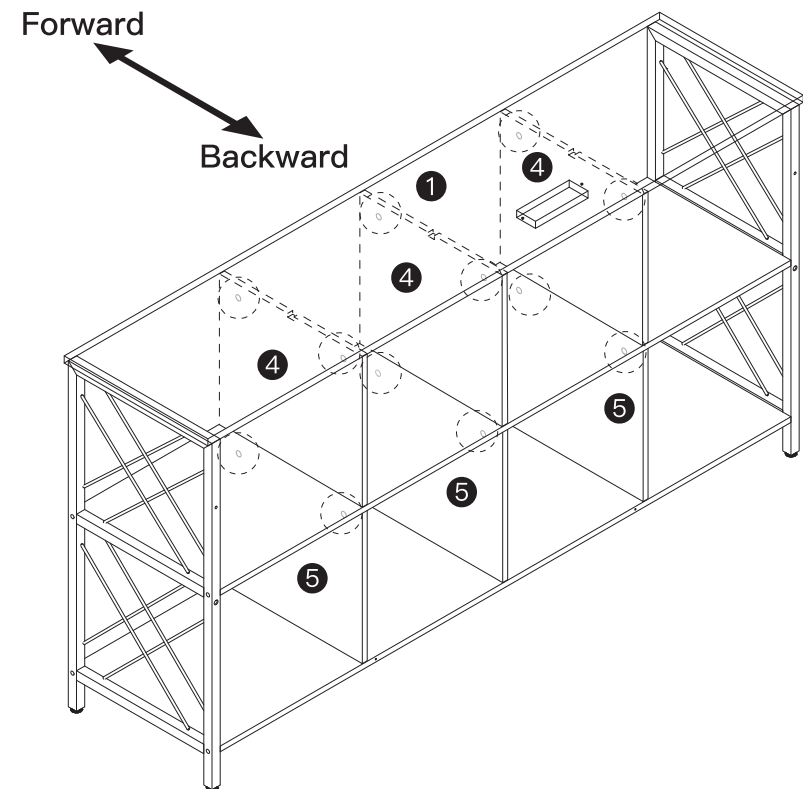
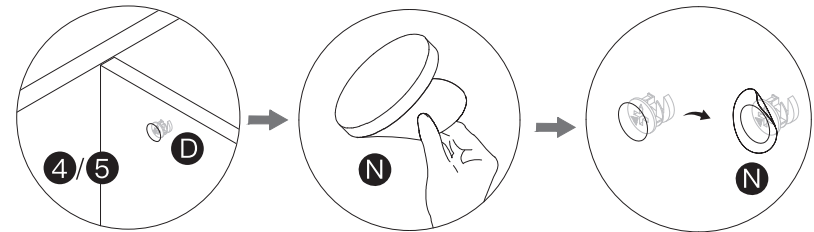
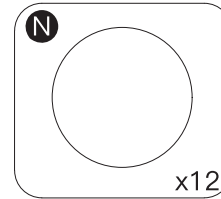
NOTICE:
Please be careful not to tear off the adhesive surface,
when removing the double-sided tape.



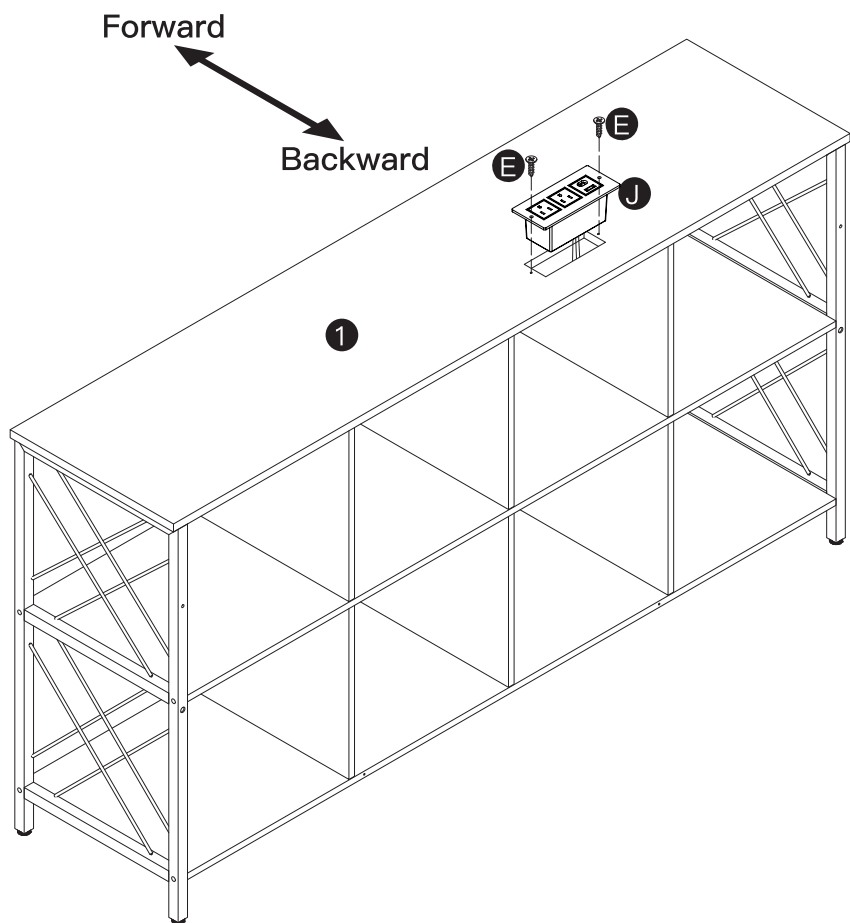
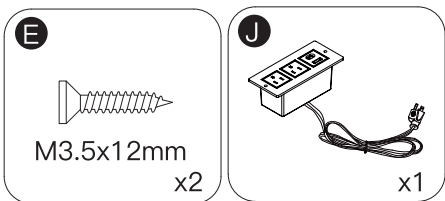
STEP 10



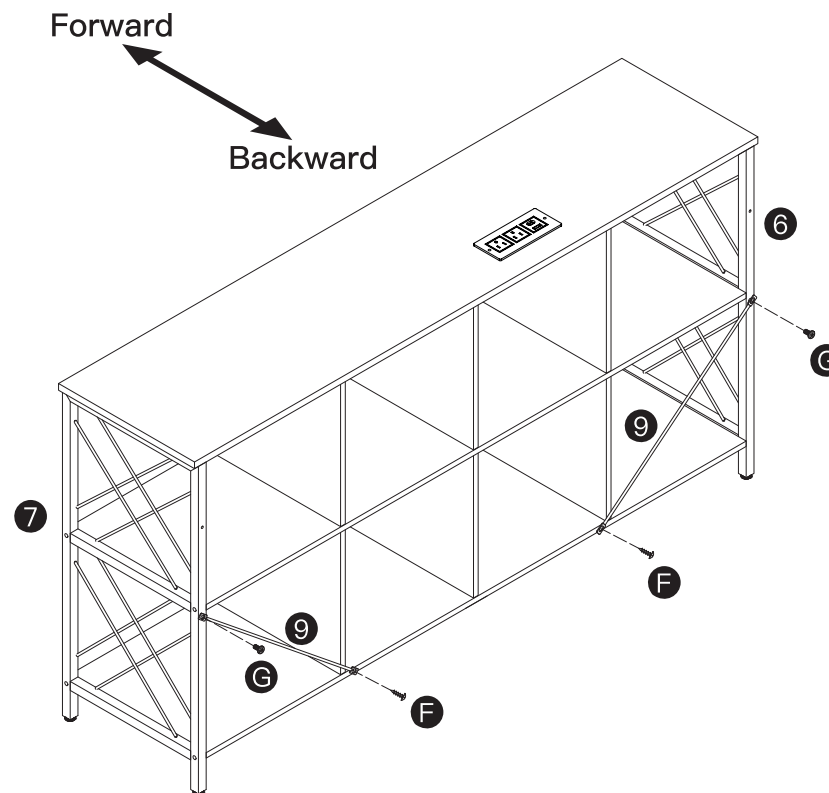
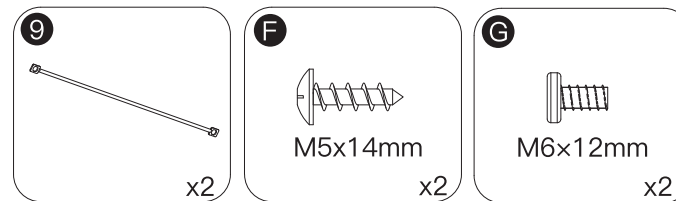
STEP 11



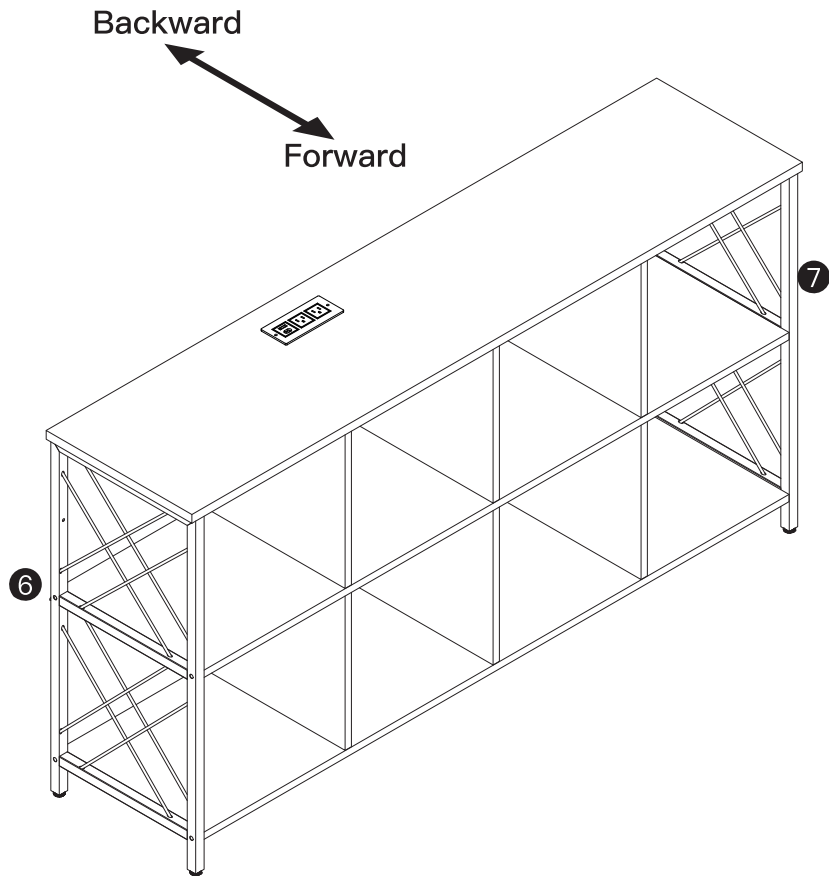
STEP 12



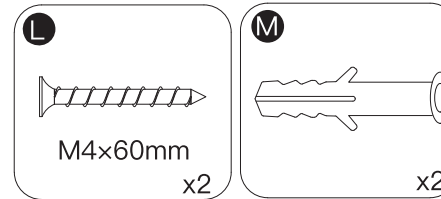
STEP 13



STEP 14



STEP 15

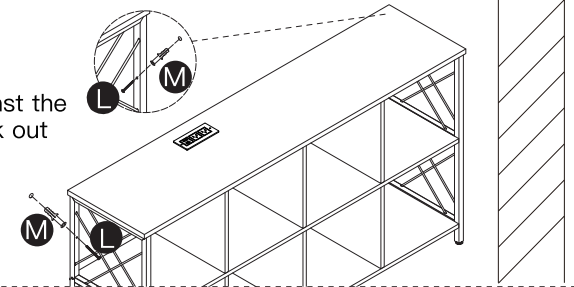


NOTICE:
Electric drill does not included in our parts, please prepare it by yourself.

1

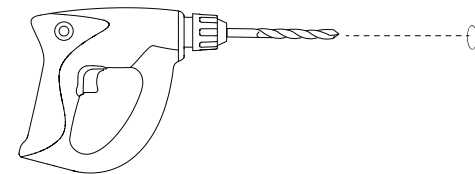
Place the rack against the wall, locate and mark out two holes.

WALL



2

WALL



3

WALL



