
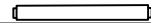

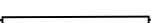
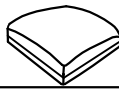
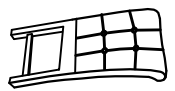
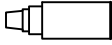


ASSEMBLY INSTRUCTION

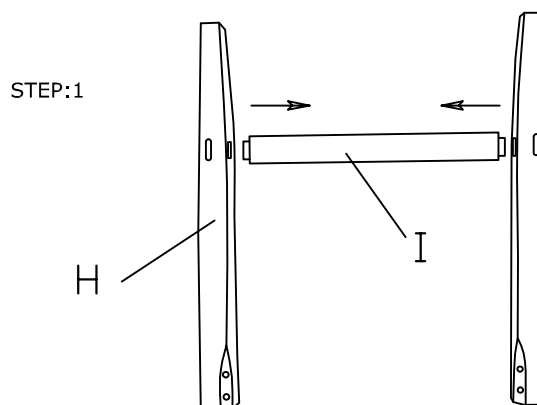
ITEM DESCRIPTION: ELEGANCE BARSTOOL

NOTE: DO NOT TIGHTEN BOLTS UNTIL CHAIR IS COMPLETELY ASSEMBLED.

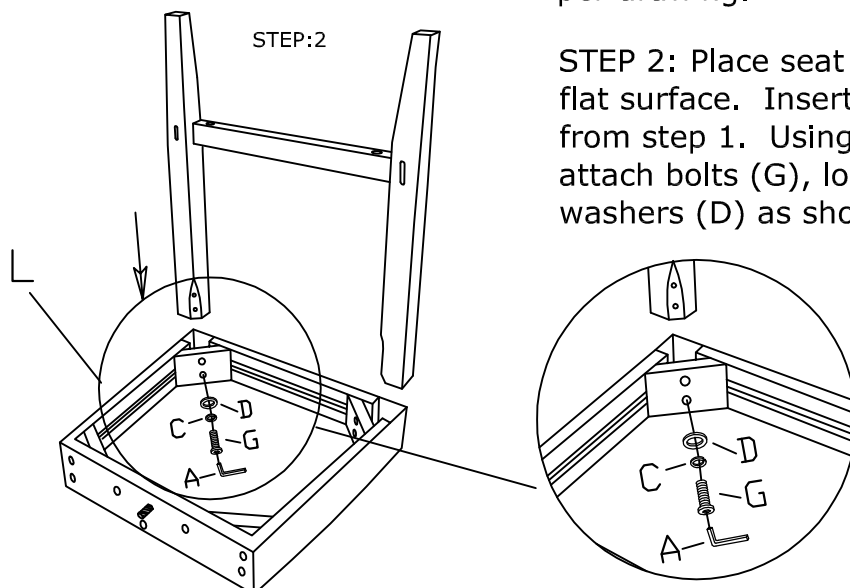
| NO | DESCRIPTION | Q'TY |
|----|---|-------|
| A | Allen wrench ø5/16" | 1PC |
| B | Wood screw | 6PCS |
| C | Lock washer ø5/16" | 11PCS |
| D | Flat washer ø5/16" | 11PCS |
| E | Bolt ø5/16"x2-1/4 | 3PCS |
| F | Bolt ø5/16"x3-1/2 | 4PCS |
| G | Bolt ø5/16"x2-1/2 | 4PCS |
| H | Front leg  | 2PCS |
| I | Front stretcher  | 1PC |
| J | Left stretcher  | 1PC |
| K | Right stretcher  | 1PC |
| L | Seat frame  | 1PC |
| M | Chair back  | 1PC |
| N | Glue water  | 1PC |

This page lists all the contents included in the box. Please take the time to identify the hardware as well as the individual components to this product. As you unpack and prepare for assembly, place the contents on a carpeted or padded area to protect them from damage.

cleaning & care Treat surface with care. Surface is resistant to scratches but is not scratch resistant. Clean surfaces with a dry or damp soft cloth. Do not use abrasive cleaners. Hardware may loosen over time. Periodically check that all connections are tight.

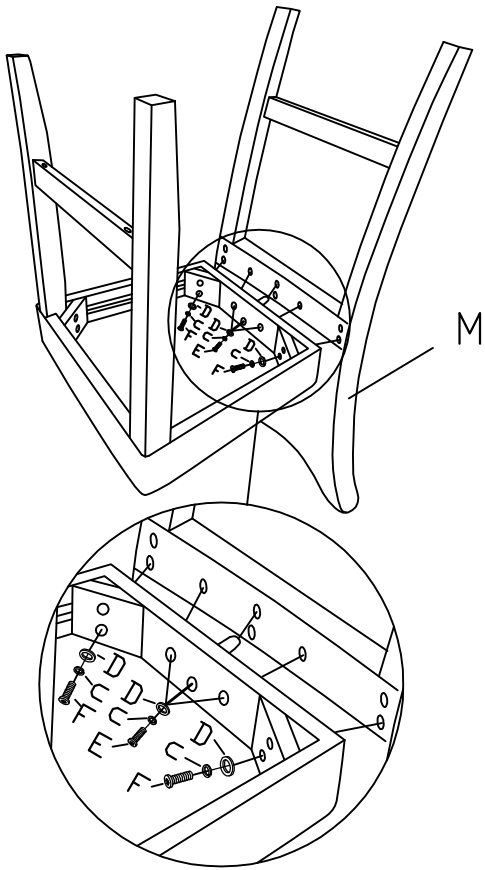


STEP 1: Take 2 pcs front legs (H) and 1 pc front stretcher (I) and assemble as per drawing.



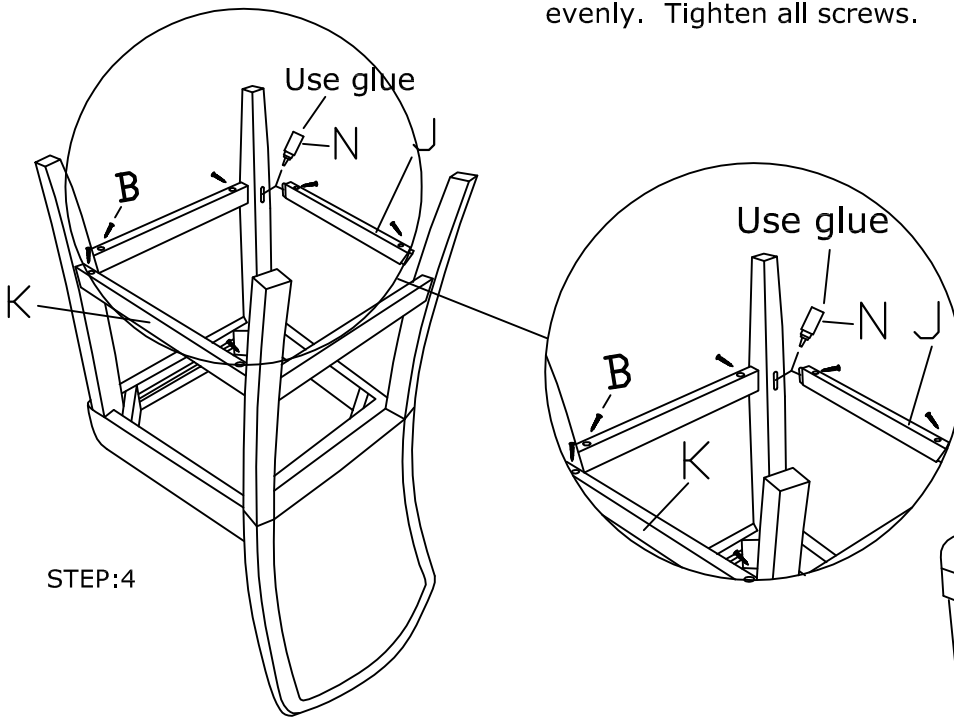
STEP 2: Place seat frame (L) on a smooth, flat surface. Insert front leg assembly from step 1. Using the Allen wrench (A), attach bolts (G), lock washers (C) and flat washers (D) as shown. Do not tighten.

STEP:3



STEP 3: Place chair back (M) on a smooth, flat surface. Position the seat frame assembly from step 2. Using the Allen wrench (A), attach bolts (E), lock washers (C) and flat washers (D) through the central holes as shown. Do not tighten. Using the Allen wrench (A), attach bolts (F), lock washers (C) and flat washers (D) through the corner holds as shown. Do not tighten.

STEP 4: Position the left and right stretchers J and K and insert with a dab of glue (N). Fix in place using wood screws (B). See diagram.



STEP:4

STEP 5: Place chair on an even floor and balance evenly. Tighten all screws.

