

Assembly Guide

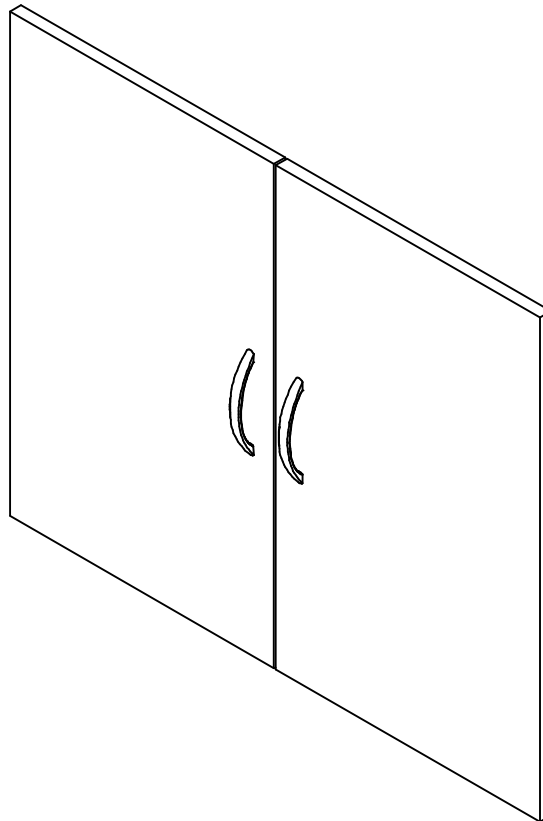


If you're having any difficulty during assembly of this product, don't hesitate to call us at **1-800-950-4782.**

Our customer service experts are trained to provide step-by-step instruction and can easily replace any missing or damaged parts.

Representatives are available Monday-Friday from 8:30 a.m. to 7:30 p.m. (ET)

Half Height Door Kit



Lot Code #

Part Number A151949E

Keep manual for future reference.

For best results, keep these tips in mind:

- ① We know you want to finish this assembly as quickly as possible, but trust us: you'll have a better experience if you take it one step at a time.
- ② Give yourself some room to work near where you want the fully assembled product.
- ③ If your floor isn't carpeted, assemble this product on the empty carton to avoid scratching.
- ④ Do you have a friend who owes you a favor? Some steps may go a little easier with a second set of hands.

DOs

- ✔ Use a #2 Phillips head screwdriver (or other handheld tools as indicated)
- ✔ Wear safety glasses at all times during assembly
- ✔ Carefully follow the instructions in this guide and complete all steps in order
- ✔ Give us a call if you're having trouble with a particularly tricky step

DON'Ts

- ✘ We know power tools are quick and easy, but you shouldn't use them when assembling this product (unless otherwise specified)
- ✘ Never move your furniture with items inside or resting on the surface
- ✘ Do not attempt to use this product before all steps have been completed



Watch assembly videos right on your phone or computer!



Some steps include QR codes that link to helpful videos. Watch out for the icon below! Simply open up your smartphone camera to scan the code.

(Users of older smartphones may need to install a QR Reader.)

SCAN HERE



FOR VIDEOS

Or visit <https://www.bushbusinessfurniture.com/CustomerService/HowtoAssemble.aspx>

IMPORTANT SAFETY INFORMATION

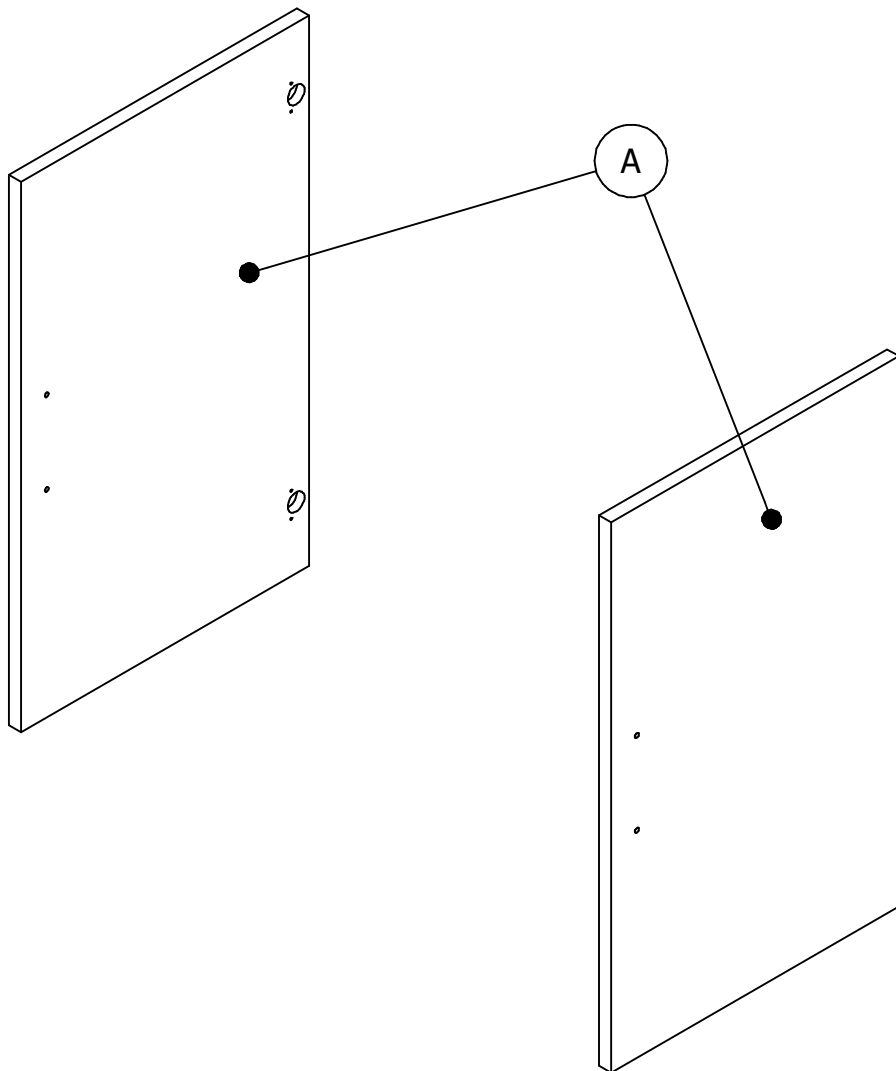
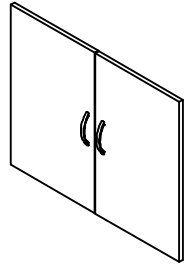


PLEASE READ WARNINGS

Improper use can cause safety hazards, or damage to your furniture and household items.


Warning	Do	Don't	Why it's important
Serious injury may occur.	<ul style="list-style-type: none">Assemble following all instructions using all indicated parts and hardware provided.Install every indicated nail and/or screw. Verify furniture is stable on it's own.Place heaviest items in the lower drawers or shelves.Remove items that might tempt kids to climb, such as toys and remote controls from the top and upper shelves of furniture.	<ul style="list-style-type: none">Do not move unit when loaded.Do not load with a television or other heavy equipment.Do not exceed the maximum load limits stated in the instructions.Do not allow children to stand, climb, or hang on furniture.	Improper assembly, use or loading can lead to product instability, tip-over or collapse.

Advertencia	Hacer	No	Por qué es importante
Se pueden producir lesiones graves.	<ul style="list-style-type: none">Ensamble siguiendo todas las instrucciones utilizando todas las piezas y ferretería indicados provistos.Instale todos los clavos y / o tornillos indicados.Verifique que los muebles sean estables por sí mismos.Coloque los artículos más pesados en los cajones o estantes inferiores.Retire los artículos que puedan tentar a los niños a trepar, como juguetes y controles remotos de los estantes superiores y superiores de los muebles.	<ul style="list-style-type: none">No mueva la unidad cuando esté cargada.No cargue con un televisor u otro equipo pesado.No exceda los límites máximos de carga establecidos en las instrucciones.No permita que los niños se paren, trepen o cuelguen de muebles.	El ensamblaje, uso o carga inadecuados pueden provocar inestabilidad del producto, vuelco o colapso.

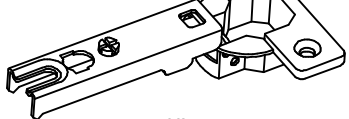


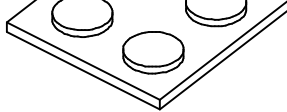
Have an assembly question or need a replacement part? Just call
1-800-950-4782, we are here to help.


Hardware not to scale.

H28917  [8]
#6 x 1/2"


 [4]

H126359  [4]
Hinge

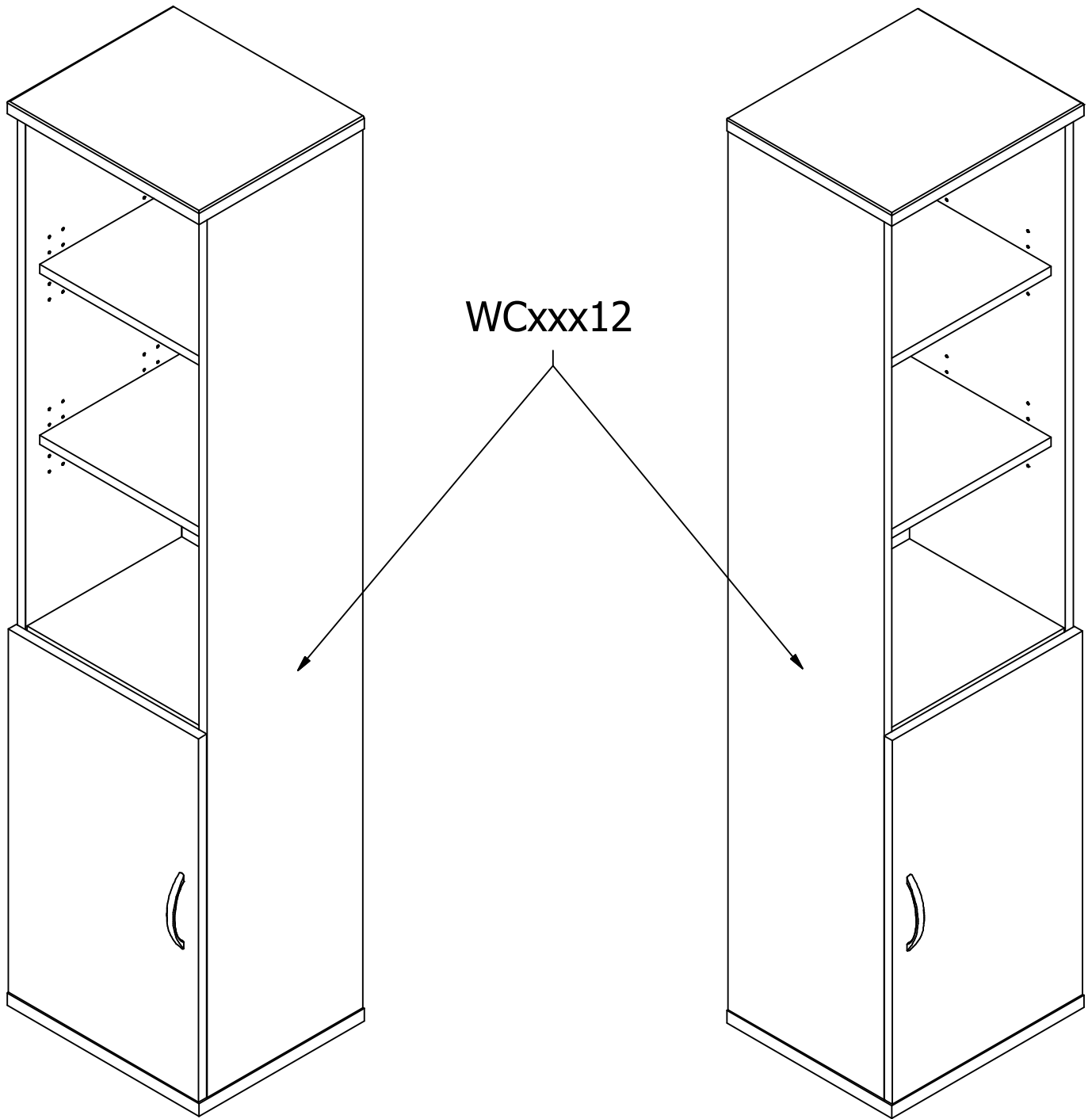
H77351  [1]
Bumper (4) per pack

H29206  [1]
Bumper (4) per pack

H126364  [4]
Mounting Plate

 [2]
Handle

Have an assembly question or need a replacement part? Just call
1-800-950-4782, we are here to help.

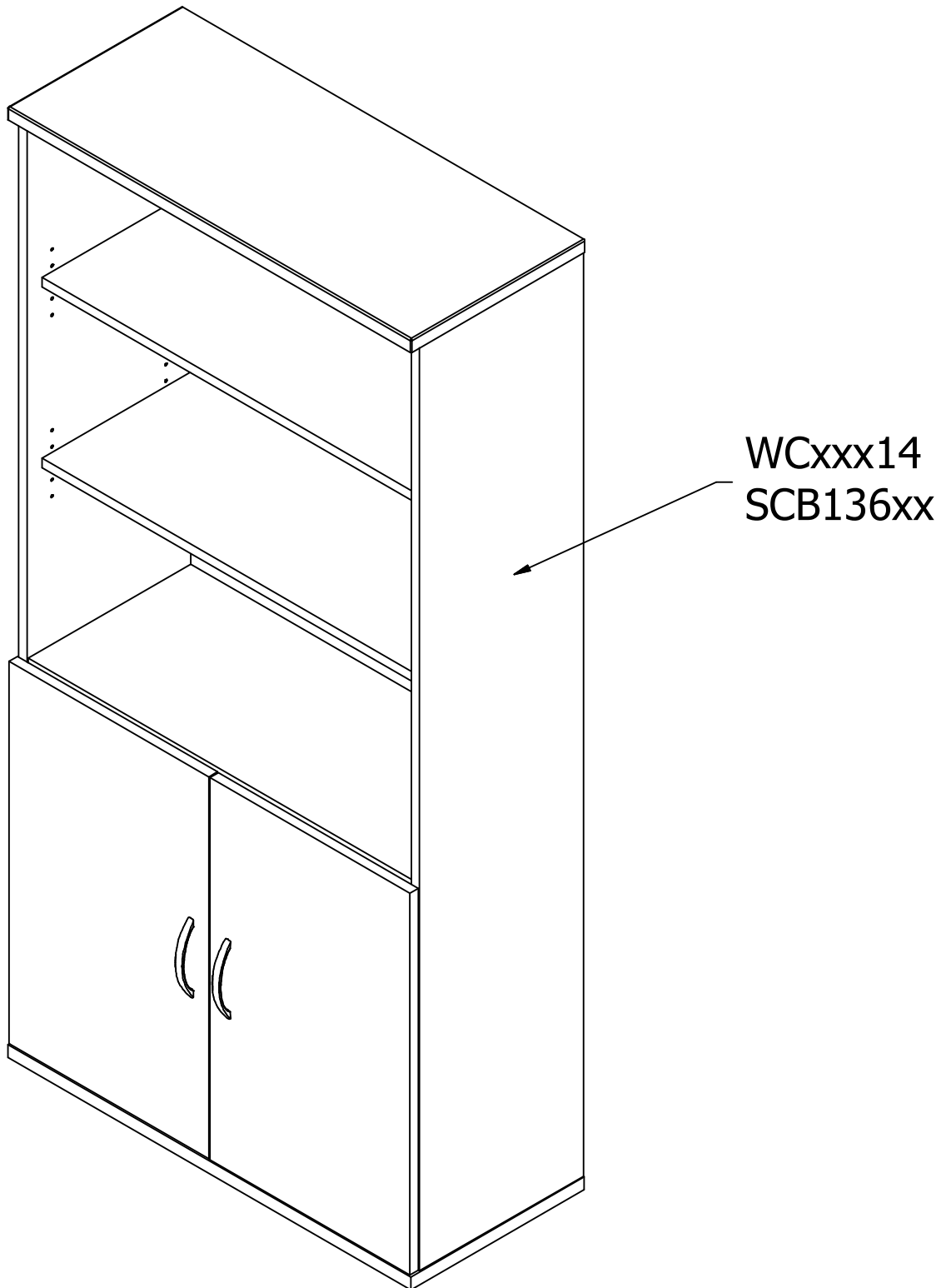


Left mounting option
Opción para montura izquierda
Option gauche de montage

Right mounting option
Opción para montura derecha
Option droite de montage

Go to Step 3.
Proceda al paso 3.
Allez à l'étape 3.

Have an assembly question or need a replacement part? Just call
1-800-950-4782, we are here to help.



Go to Step 6.
Proceda al paso 6.
Allez à l'étape 6.

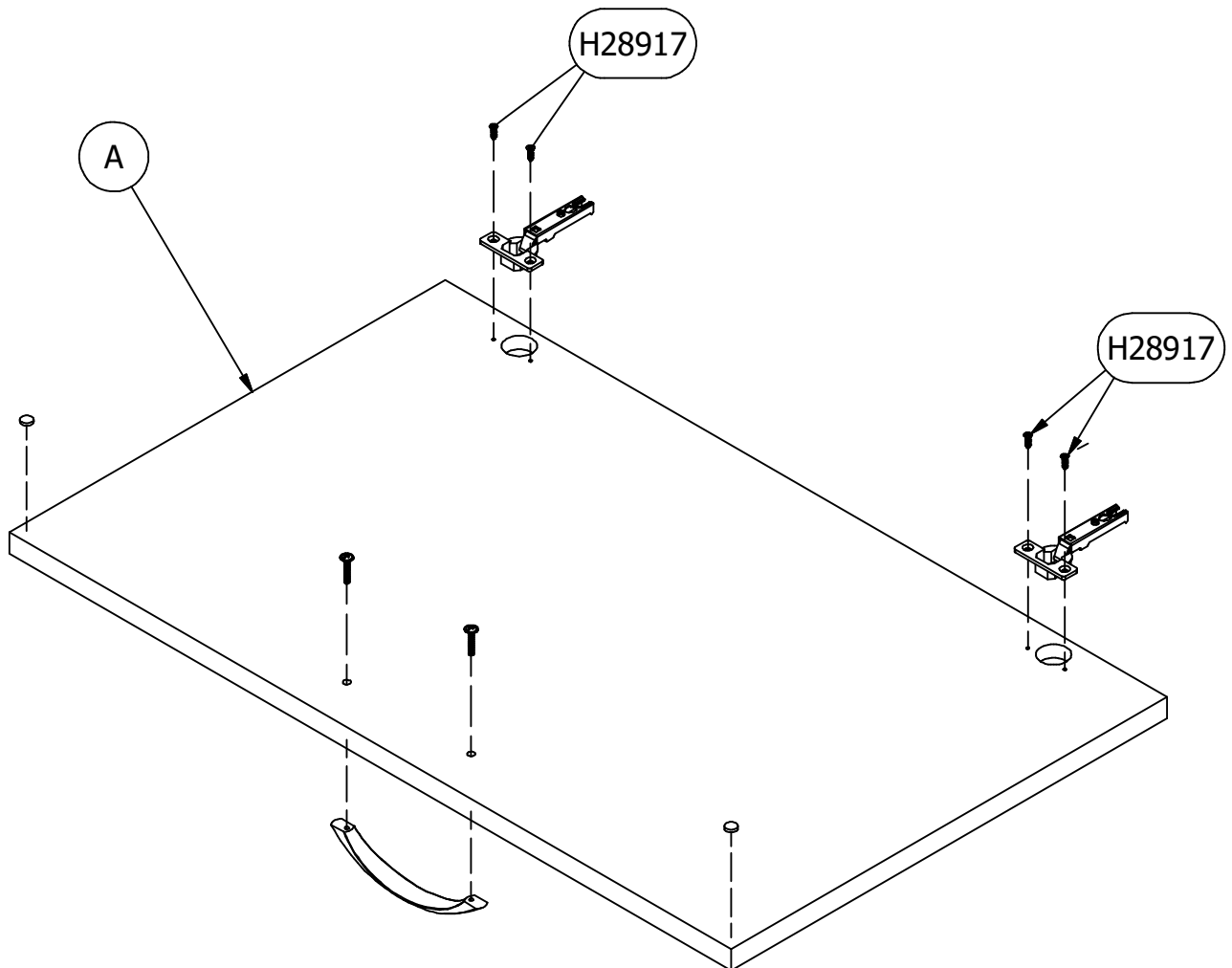
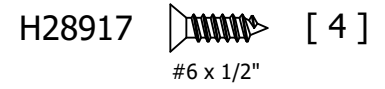
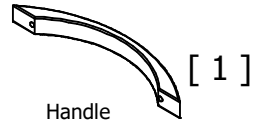
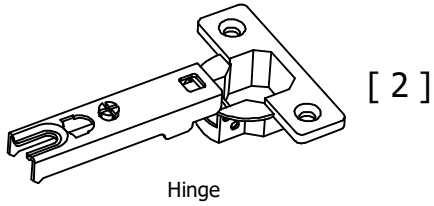
Have an assembly question or need a replacement part? Just call
1-800-950-4782, we are here to help.

STEP 3

Prepare Door

A151949E

H126359



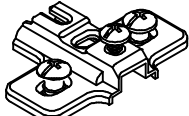
Have an assembly question or need a replacement part? Just call **1-800-950-4782**, we are here to help.

STEP 4

Attach Hardware

A151949E

H126364



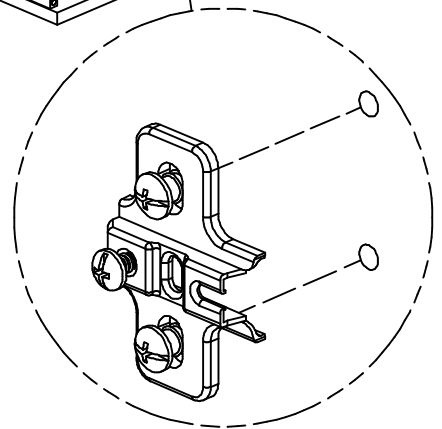
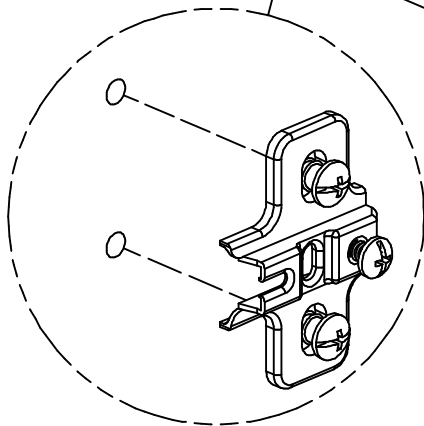
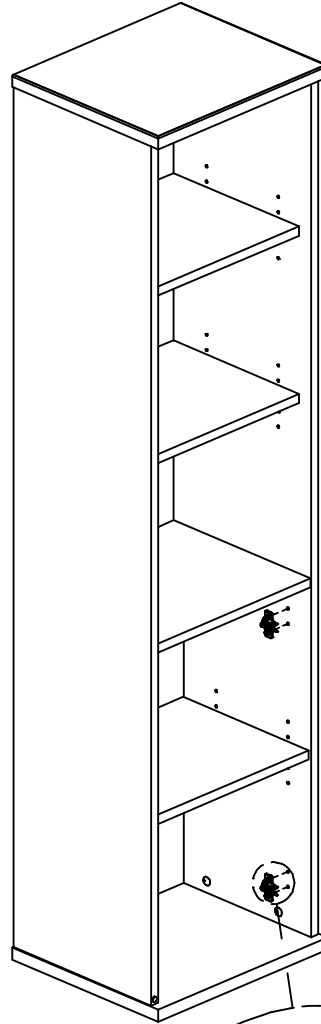
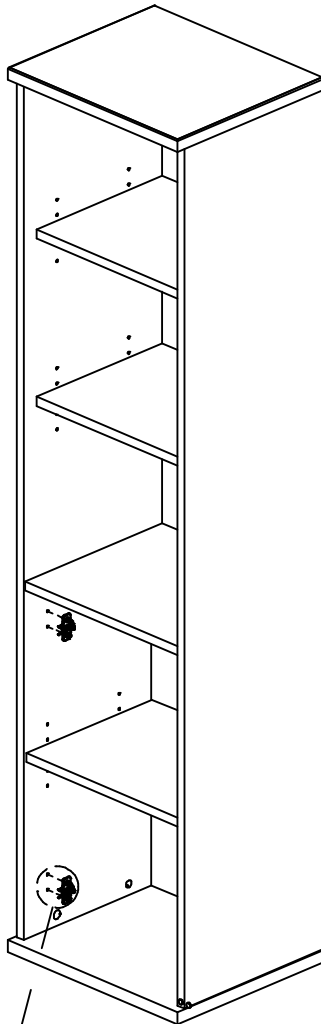
[2]

Mounting Plate

Left mounting option
Opción para montura izquierda
Option gauche de montage

Or
O
Ou

Right mounting option
Opción para montura derecha
Option droite de montage



Have an assembly question or need a replacement part? Just call
1-800-950-4782, we are here to help.

Scan QR Code to Watch Video on:



How to Adjust Door Hinges

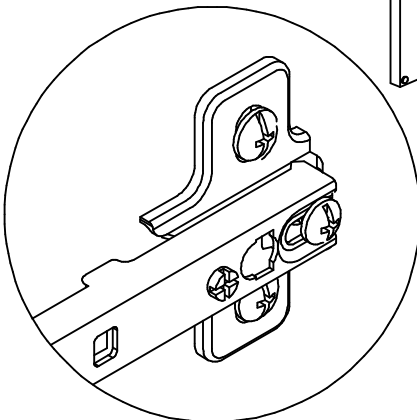
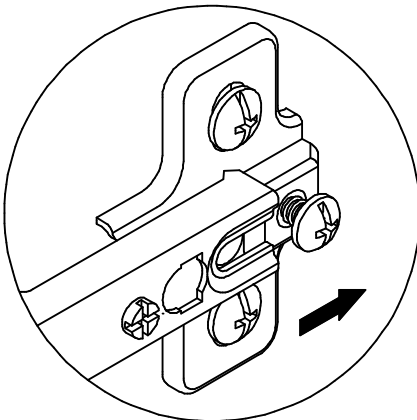
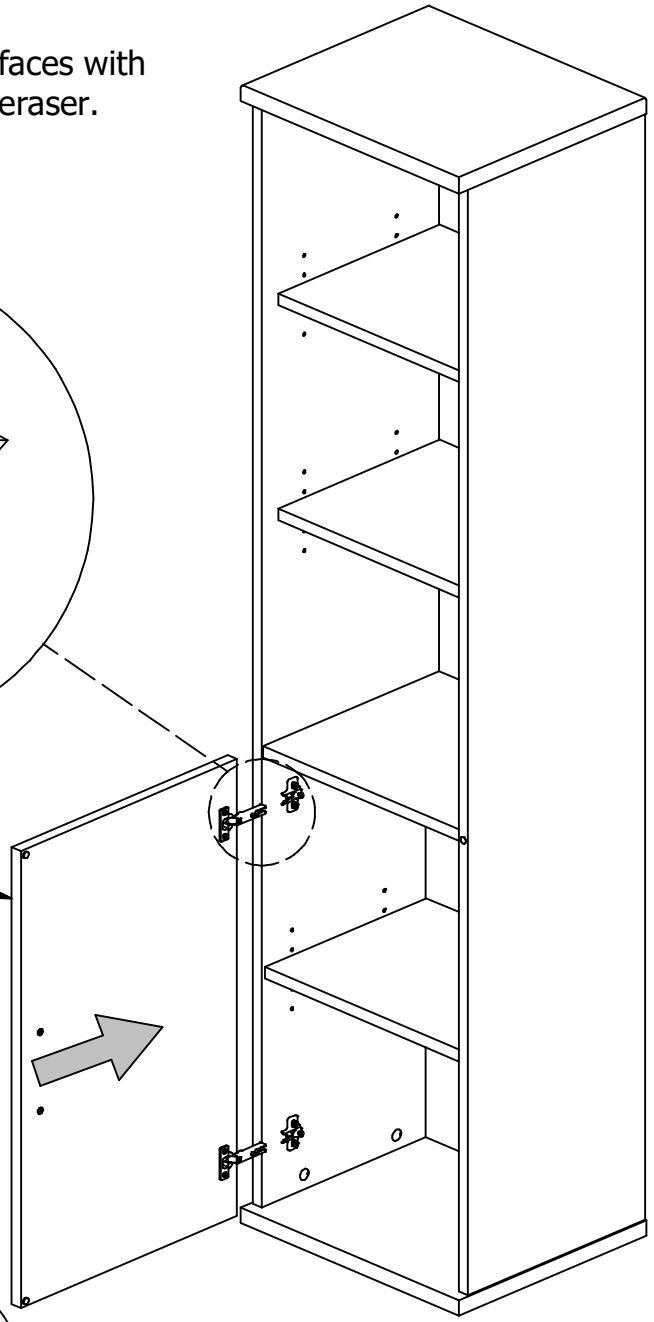
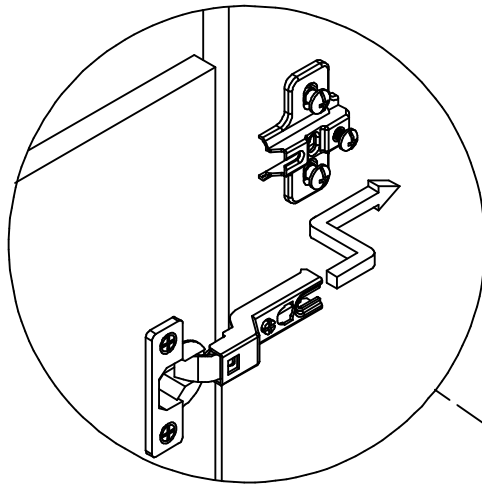
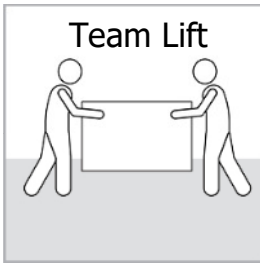
Scan QR Code to Watch Video on:



Basin Cleaning Instructions

Left mounting option
Opción para montura izquierda
Option gauche de montage

Gently clean surfaces with a damp sponge eraser.



Congratulations! You are all done. If you have any questions or concerns, please call.

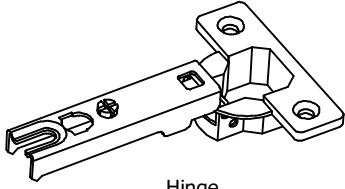
Have an assembly question or need a replacement part? Just call **1-800-950-4782**, we are here to help.

STEP 6

Prepare Doors

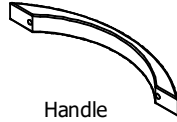
A151949E

H126359



[4]

Hinge



[2]

Handle



[4]

H29206



[2]

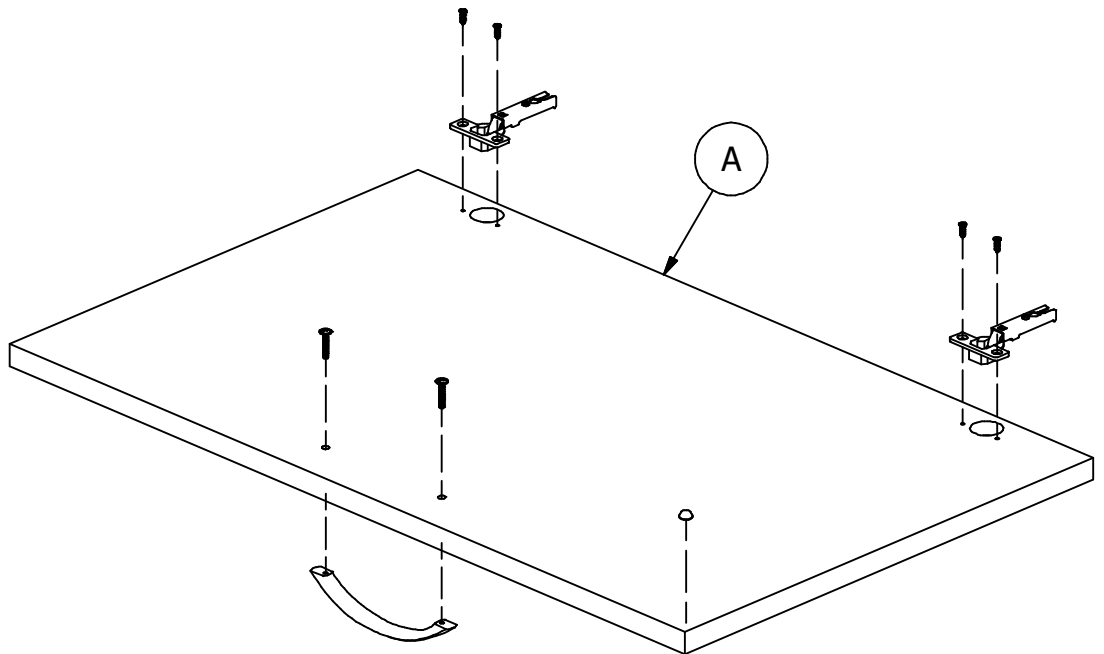
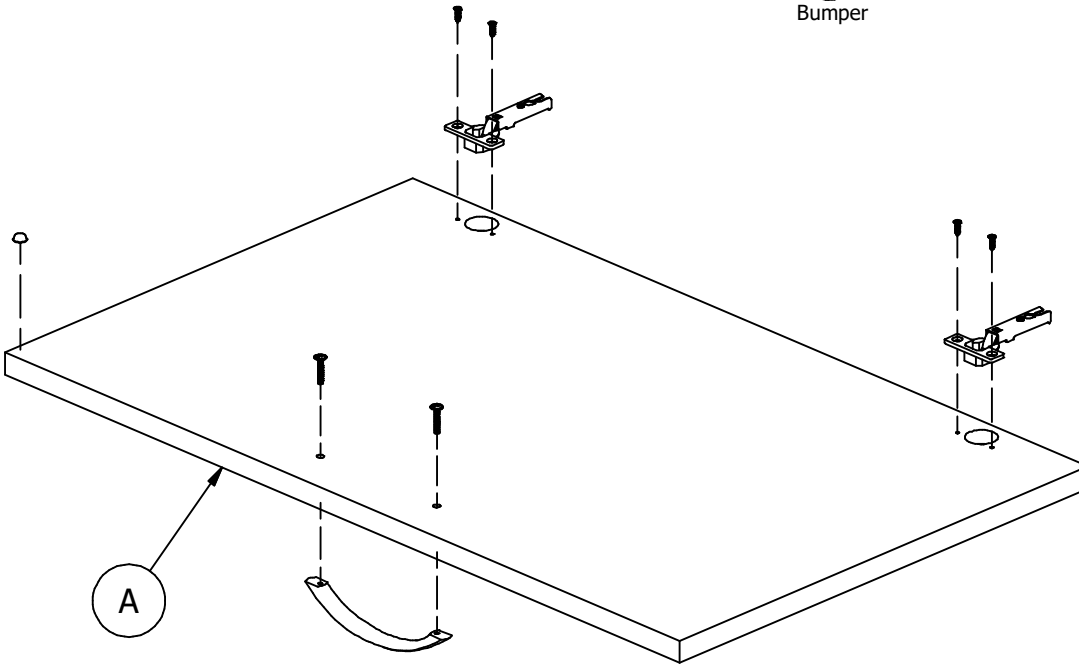
Bumper

H28917



[8]

#6 x 1/2"



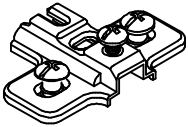
Have an assembly question or need a replacement part? Just call
1-800-950-4782, we are here to help.

STEP 7

Attach Hardware

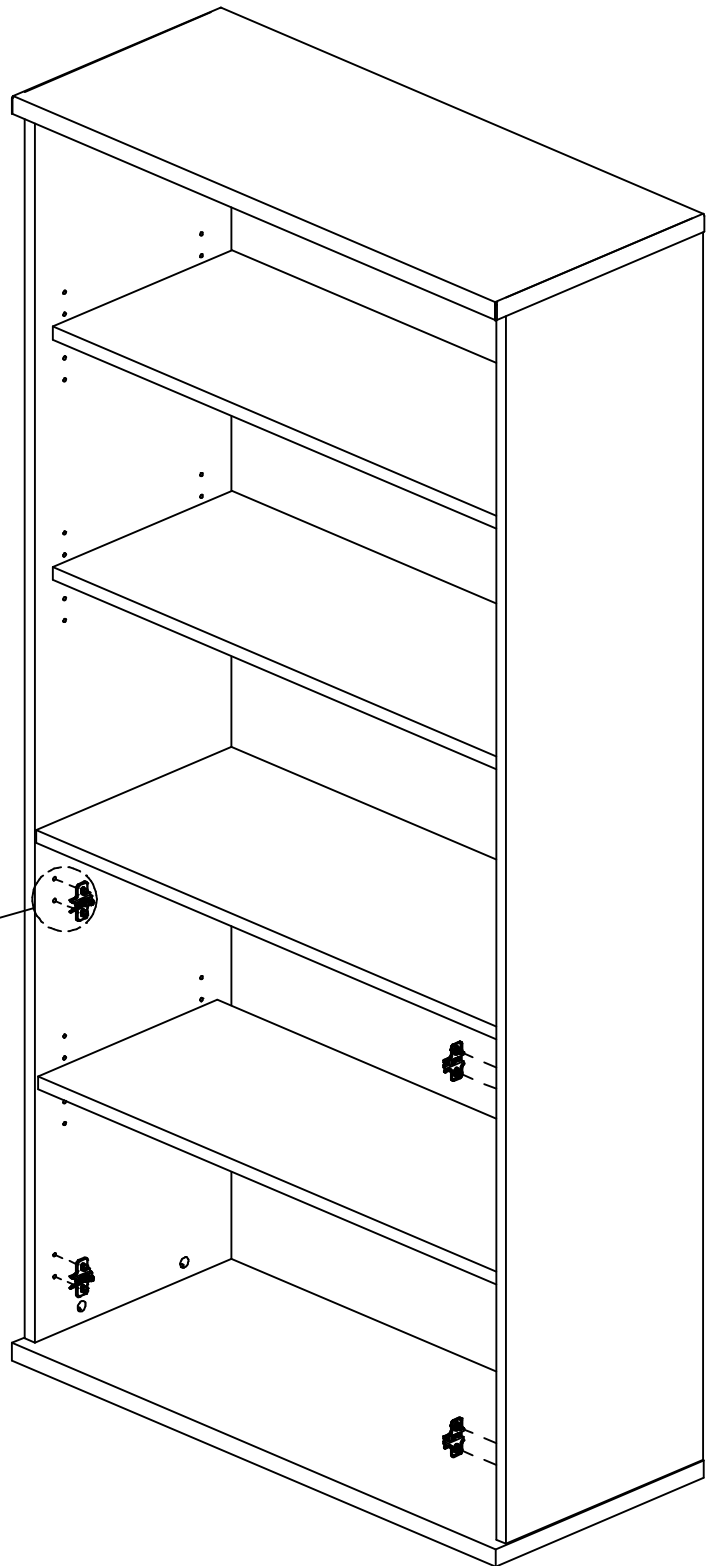
A151949E

H126364



[4]

Mounting Plate



Have an assembly question or need a replacement part? Just call
1-800-950-4782, we are here to help.

Scan QR Code to Watch Video on:

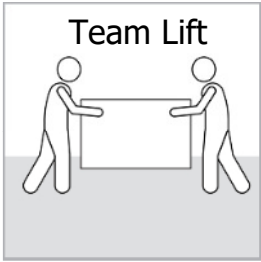


How to Adjust Door Hinges

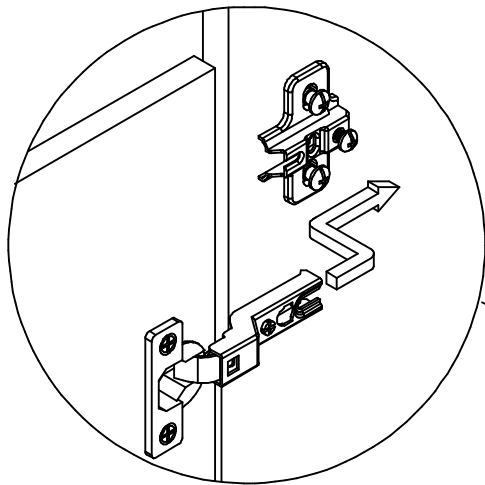
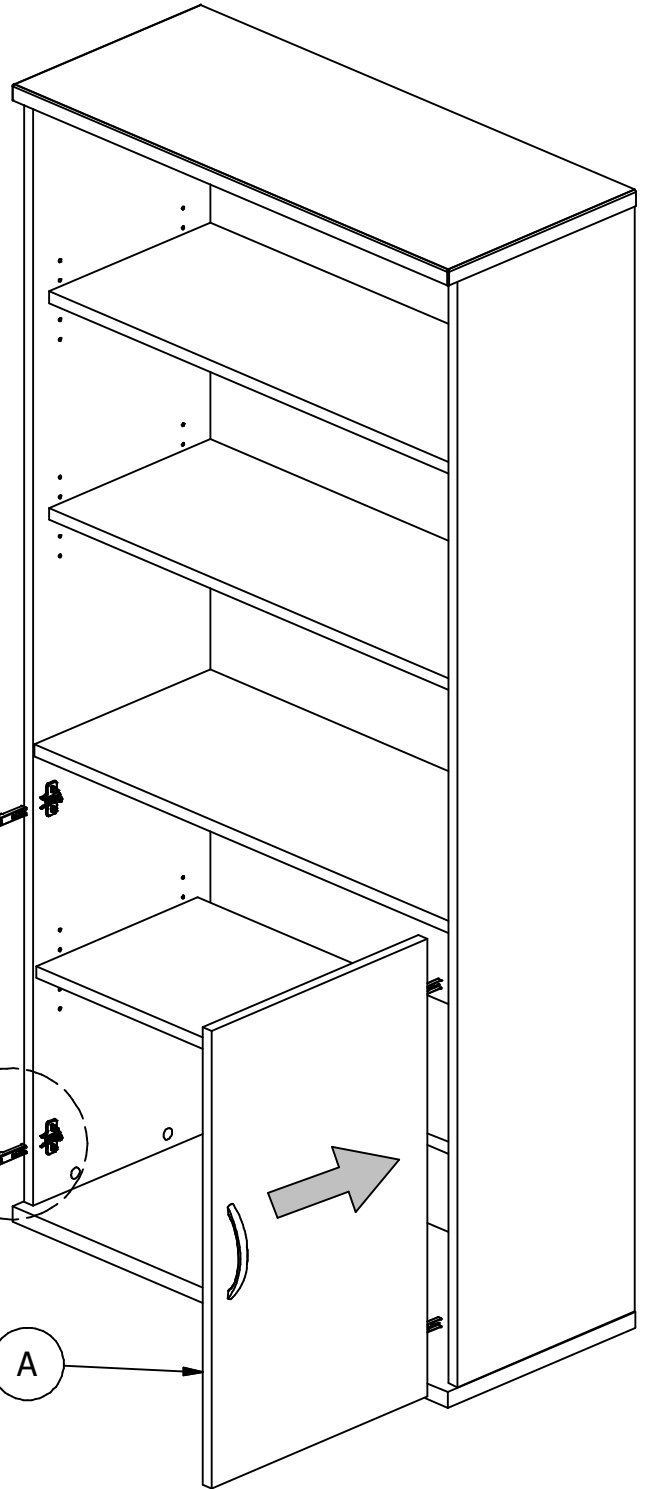
Scan QR Code to Watch Video on:



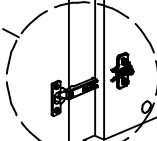
Basin Cleaning Instructions



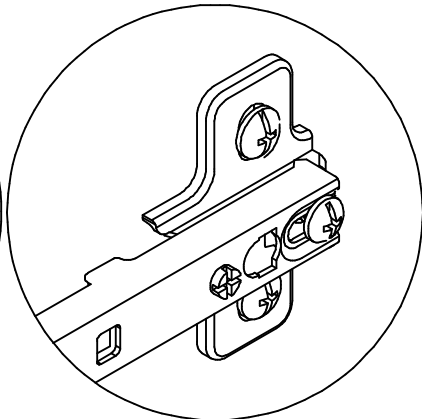
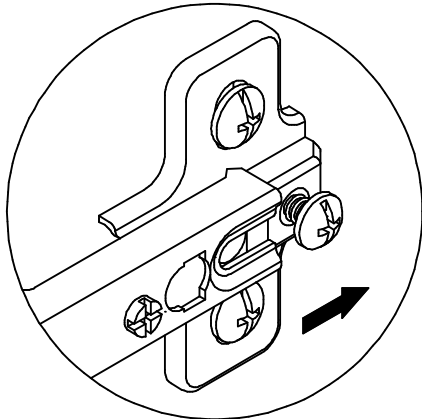
Gently clean surfaces with a damp sponge eraser.



A



A



Congratulations! You are all done. If you have any questions or concerns, please call.

Have an assembly question or need a replacement part? Just call **1-800-950-4782**, we are here to help.

WC24411, WC72411



WC12911, WC36711



SCB236WH, SCB236SG, SCB236PG,

SCB236BW, SCB236WH



WC12911

A [2] W213918

WC24411

A [2] W213919

WC36711

A [2] W213920

SCB236PG

A [2] W191695

WC72411

A [2] W213921

SCB236SG

A [2] W189345

SCB236WH

A [2] W191952

SCB236BW

A [2] W205562

SCB236MH

A [2] W205563