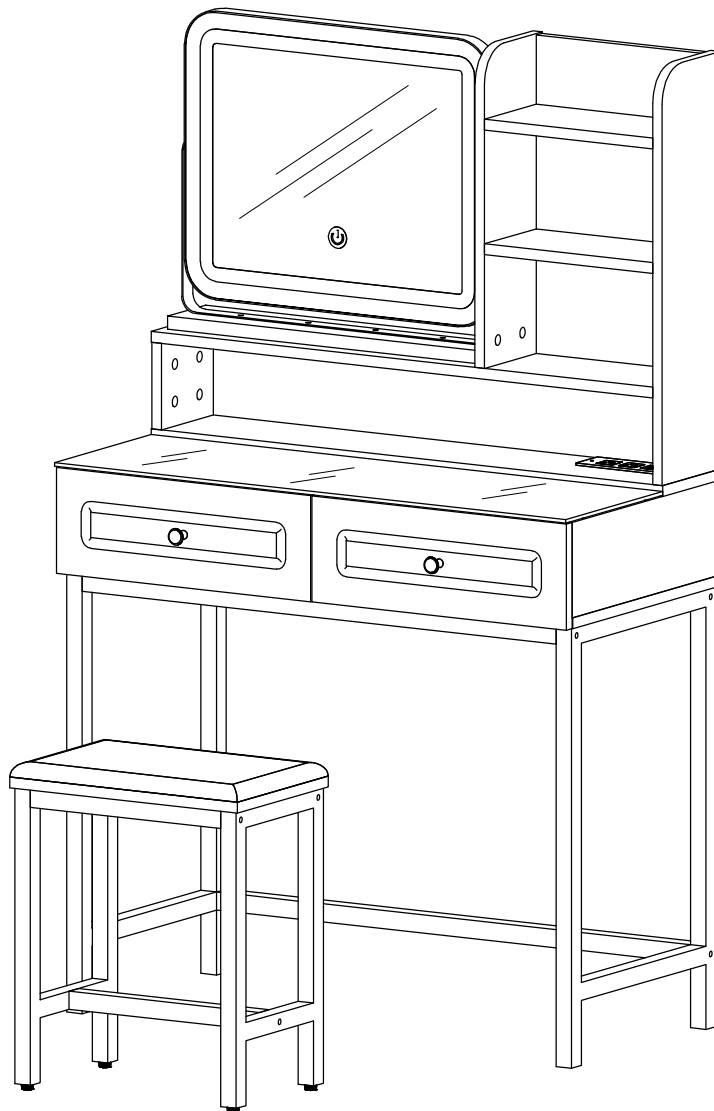


CABINET




DIMENSIONS

width - 32.25inch

Depth - 15.75inch

Height - 55inch

WARNING	
	This product is NOT a Clothing Storage Unit (CSU). DO NOT use it for clothing storage. Improper use may cause furniture tipover.

Important - Please read these instructions fully before starting assembly.

1. Thank you for choosing *our products*.

2. Return Policy



DO NOT RETURN TO THE STORE! Skip the process of returning your product and contact us directly for a replacement

If you find that parts of your order are missing or damaged, we will gladly ship any needed replacement parts free of charge.

If your product's quality does not meet your expectations or you have found any sort of defect, please contact our customer service department and let us know the details of your order and any issues encountered, we will try our best to provide you with a solution. Feel free to also directly contact our manufacturer concerning needed replacement parts and they will be happy to help provide you with a solution or answer any questions you may have.

Recommendations Before Beginning Assembly



• Read instructions, cover to cover



• Have 2-4 adults on hand for assembly depending on product size



• Do not assemble directly on flooring or carpet



• Assemble on a clean non-marring surface (example: packing foam)



• Save all packaging until finished











3. Assembly Notice:

- If you encounter any problems during assembly and find that you cannot continue, rest assured we will help you solve the situation as soon as possible. Simply keep all of the parts of the product stored in a safe place and contact us immediately so we may assist you further.
- Once you have opened your package, remove all inner hardware packages and take the parts out. One by one, Place the parts out neatly in front of you, then refer to the instructions to ensure no parts are missing. If any pieces are found missing, please carefully look in the box first, as the hardware packaging might have torn making the hardware spill in the box.
- Some key parts of your product may be stored and hidden inside of other parts. Please open any zippered or hook & loop storage compartments to remove all parts. (example: cushions and legs being stored in the underside of a sofa)
- **IMPORTANT:** When setting up your product, **DO NOT INSTALL THE SCREWS ALL THE WAY IN THE BEGINNING.** Place each screw into their proper hole and use your hand to twist the screw halfway. Twist all the screws in halfway to ensure the holes will match up properly and the product is level on the ground. When everything seems fitted, then

tighten the screws.

- When you have completed assembly, we suggest you have more than one person to assist you with lifting and placing the product.

Care & Maintenance

- ⊘  ● Do not put hot items directly on furniture surface
- ⊘  ● Do not clean furniture with harsh cleansers or polish
- ⊘  ● Do not place furniture under direct sunlight
- ⊘  ● Do not place furniture near heating or cooling vents
- ⊘  ● Do not write on furniture without a padded barrier to protect the surface
- ⊘  ● Do not place furniture outside. For indoor use only
- ⊘  ● Not for commercial use. For residential use only
- ⊘  ● Stains may be removed with mild soap solution and damp cloth
- ⊘  ● Children should not climb or jump on the furniture
- ✓  ● Dust and pick-up spills using a clean, non-colored, lint-free cloth

Caution

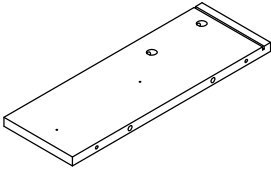
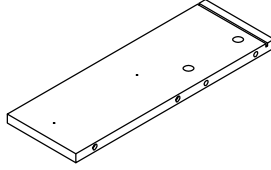
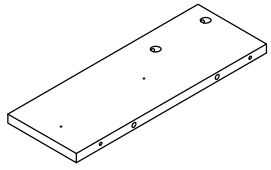
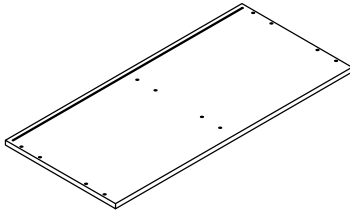
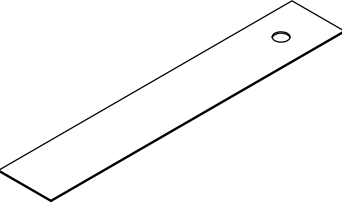
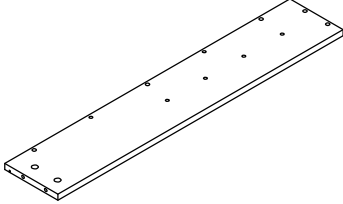
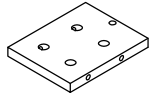
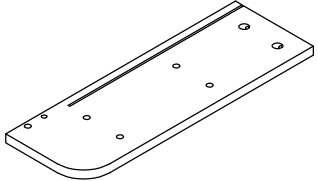
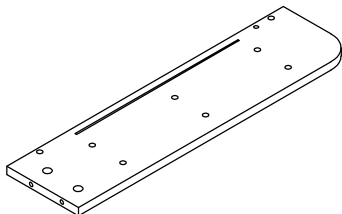
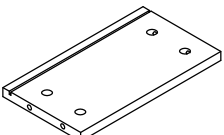
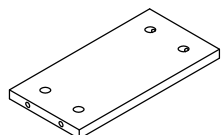
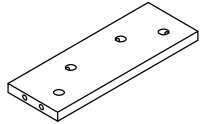
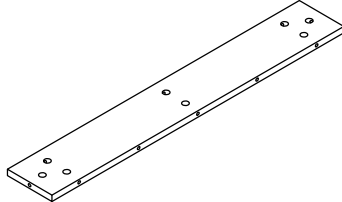
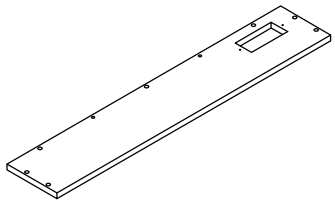
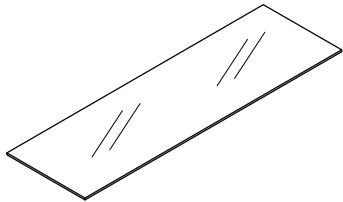
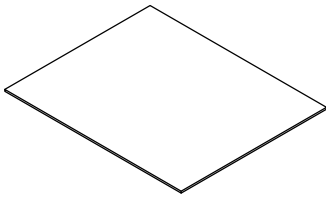
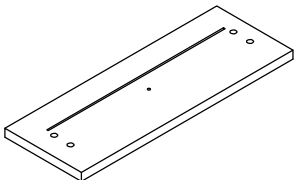
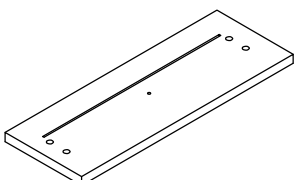
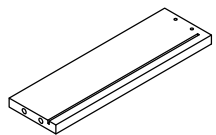
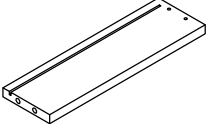
- This product contains small components. Please ensure that they are kept away from small children.
- Do not use power tools to assemble your furniture. Power tools may strip or damage the parts.



components - fittings

Please check you have all the panels listed below.

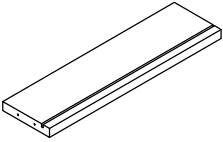
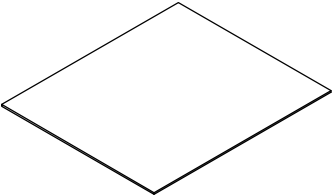
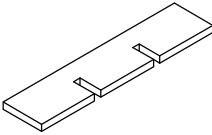
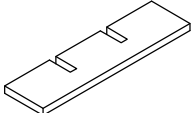
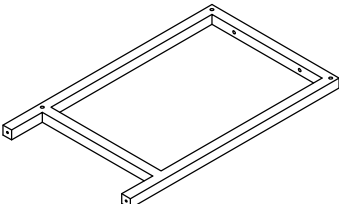
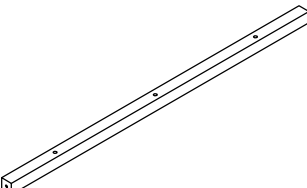
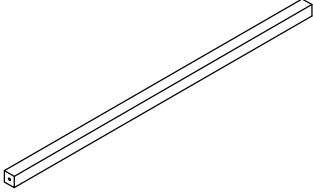
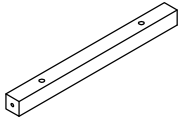
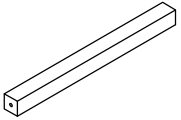
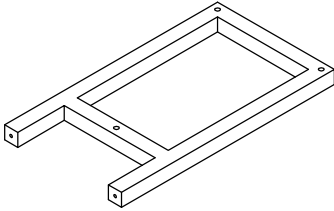
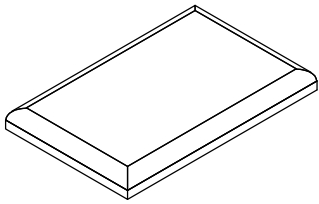
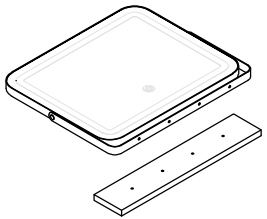
Note: The quantities below are the correct amount to complete the assembly. In some cases more fittings may be supplied than are required.

① x 1pc 	② x 1pc 	③ x 1pc 	④ x 1pc 
⑤ x 1pc 	⑥ x 1pc 	⑦ x 1pc 	⑧ x 1pc 
⑨ x 1pc 	⑩ x 1pc 	⑪ x 1pc 	⑫ x 1pc 
⑬ x 1pc 	⑭ x 1pc 	⑮ x 1pc 	⑯ x 1pc 
⑰ x 1pc 	⑱ x 1pc 	⑲ x 2pcs 	⑳ x 2pcs 

components - fittings

Please check you have all the panels listed below.

Note: The quantities below are the correct amount to complete the assembly. In some cases more fittings may be supplied than are required.

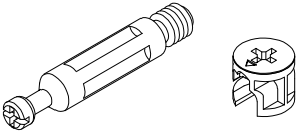
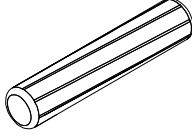
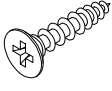
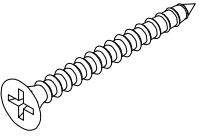
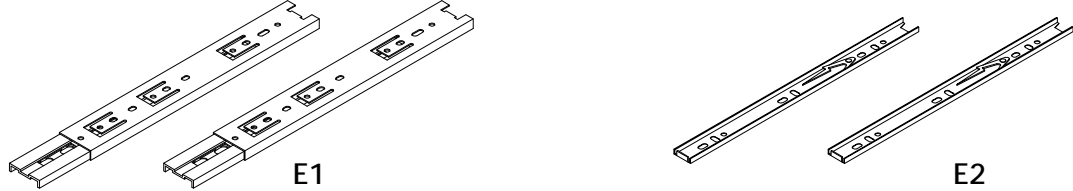
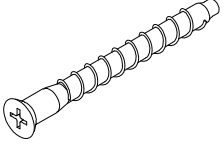


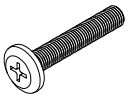
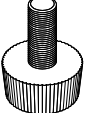
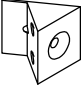
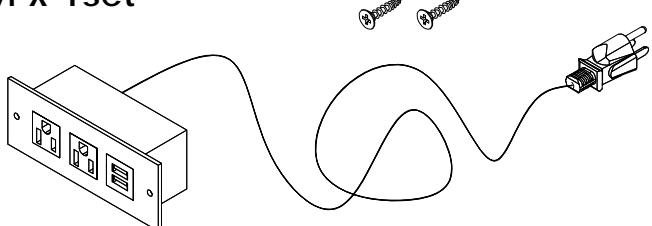
<p>②① x 2pcs</p> 	<p>②② x 2pcs</p> 	<p>②③ x 4pcs</p> 	<p>②④ x 4pcs</p> 
<p>②⑤ x 2pcs</p> 	<p>②⑥ x 2pcs</p> 	<p>②⑦ x 1pc</p> 	<p>②⑧ x 2pcs</p> 
<p>②⑨ x 1pc</p> 	<p>③① x 2pcs</p> 	<p>③② x 1pc</p> 	<p>③③ x 1set</p> 

components - fittings

Please check you have all the panels listed below.

Note: The quantities below are the correct amount to complete the assembly. In some cases more fittings may be supplied than are required.

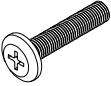

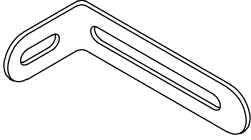

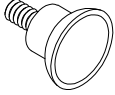
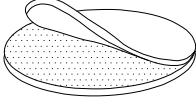
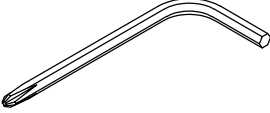
Hardware-Liste

<p>A x 44sets</p>  <p>A1 A2</p>	<p>B x 12pcs</p>  <p>8 x 40mm</p>	<p>C x 28pcs</p>  <p>3.5 x 14mm</p>	<p>D x 10pcs</p>  <p>3.5 x 35mm</p>
<p>E x 2sets</p>  <p>E1 E2</p>			
<p>F x 6pcs</p>  <p>7 x 50mm</p>	<p>G x 2sets</p> 	<p>H x 12pcs</p>  <p>M6 x 40mm</p>	<p>J x 14pcs</p>  <p>M6 x 35mm</p>
<p>K x 8pcs</p>  <p>M6</p>	<p>L x 10pcs</p> 	<p>M x 1set</p> 	

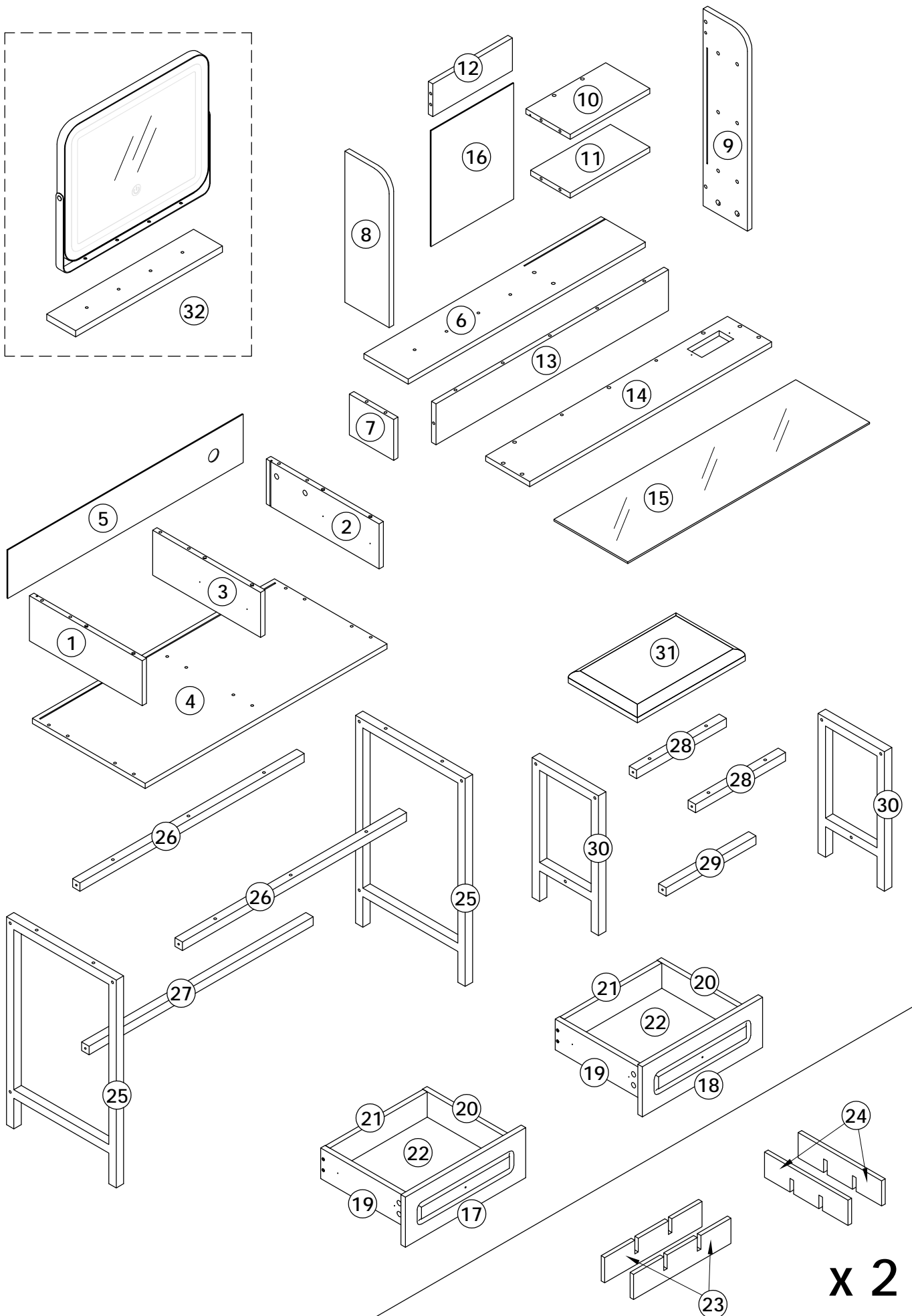
components - fittings

Please check you have all the panels listed below.

Note: The quantities below are the correct amount to complete the assembly. In some cases more fittings may be supplied than are required.

<p>N x 4pcs</p>  <p>M6 x 30mm</p>	<p>P x 4pcs</p>  <p>M6 x 15mm</p>	<p>Q x 2pcs</p> 	<p>R x 2pcs</p>  <p>30 x 6mm</p>
<p>S x 6pcs</p> 	<p>T x 30pcs</p> 	<p>U x 1pc</p> 	

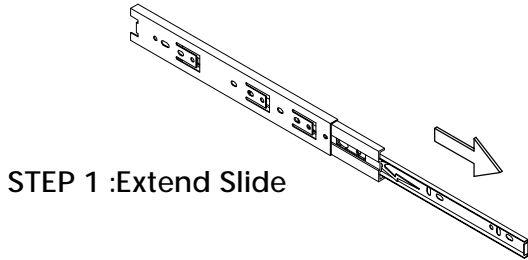
Assembly Instructions



Assembly Instructions

STEP 1

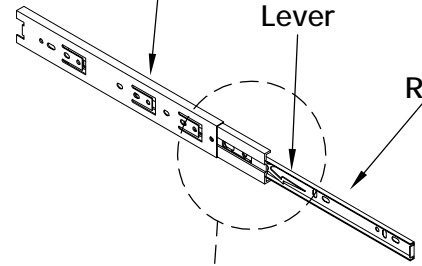
Slides Must Be Separated Before Assembly.
After Separated, Set Aside Until Needed for Assembly.



Mount

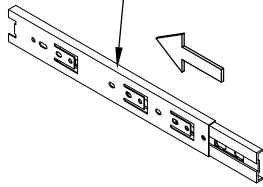
Lever

Runner



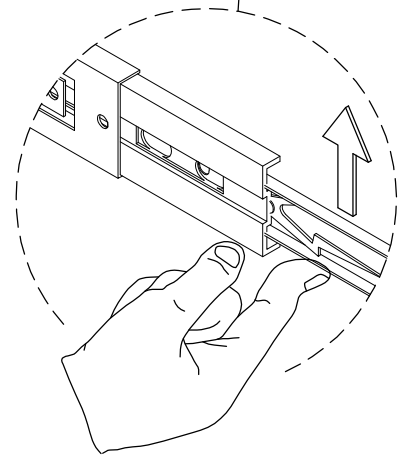
STEP 2 : Push Lever UP

Mount

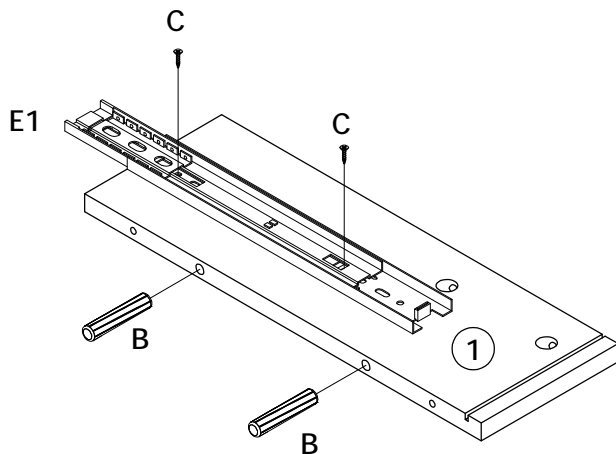
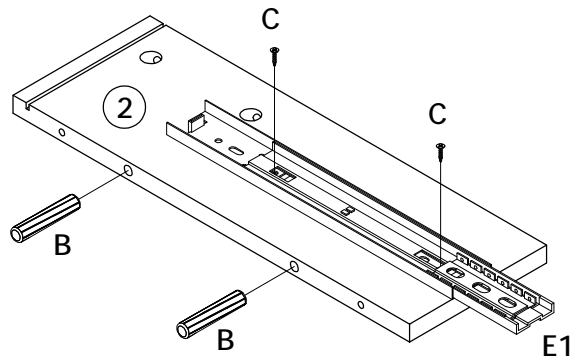
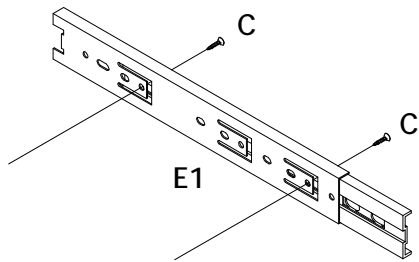


STEP 3 : Remove Runner

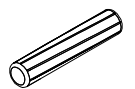
Runner



STEP 2



B x 4pcs



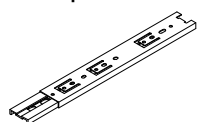
8 x 40mm

C x 4pcs



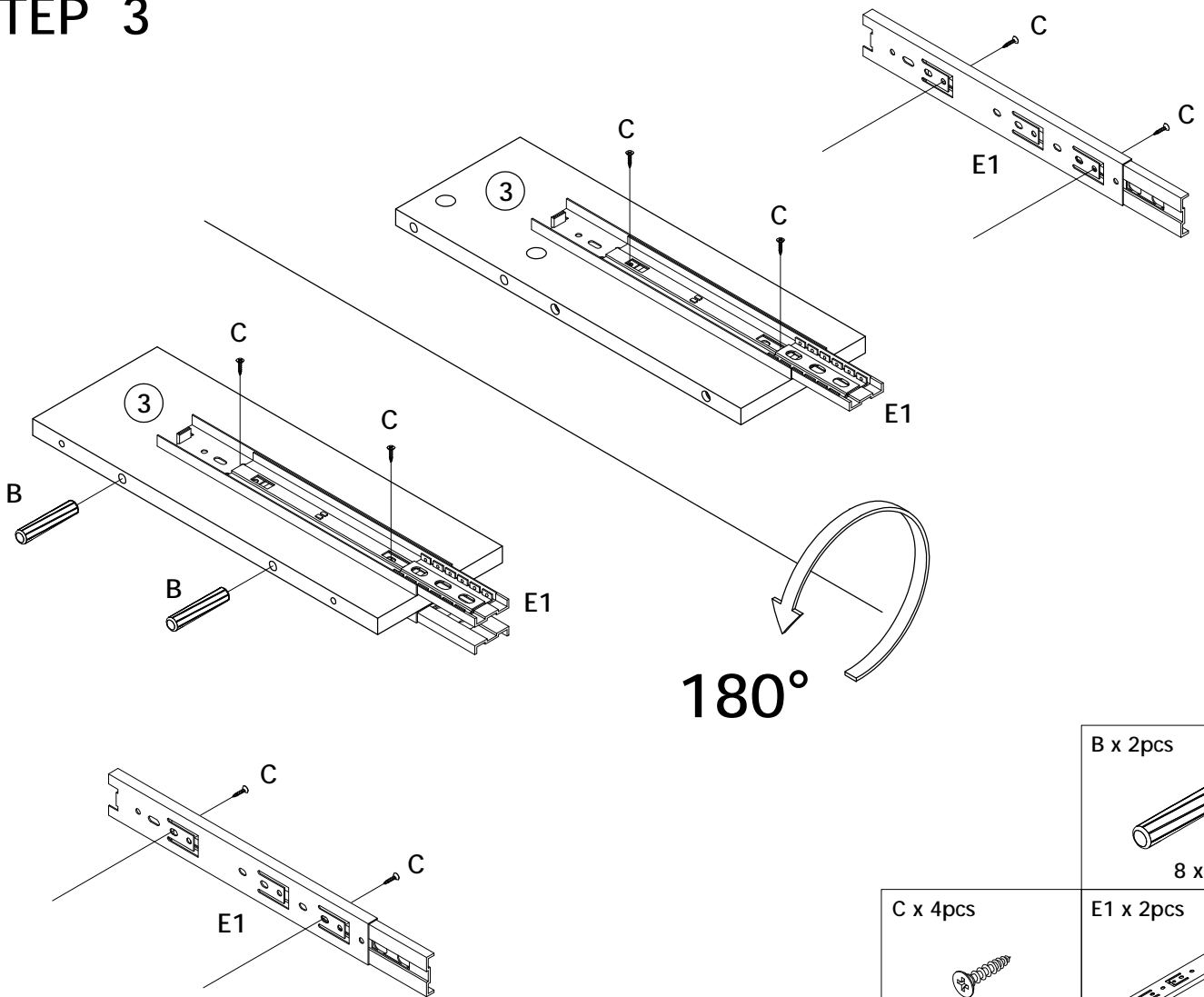
3.5 x 14mm

E1 x 2pcs

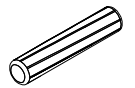


Assembly Instructions

STEP 3



B x 2pcs



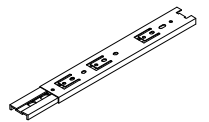
8 x 40mm

C x 4pcs

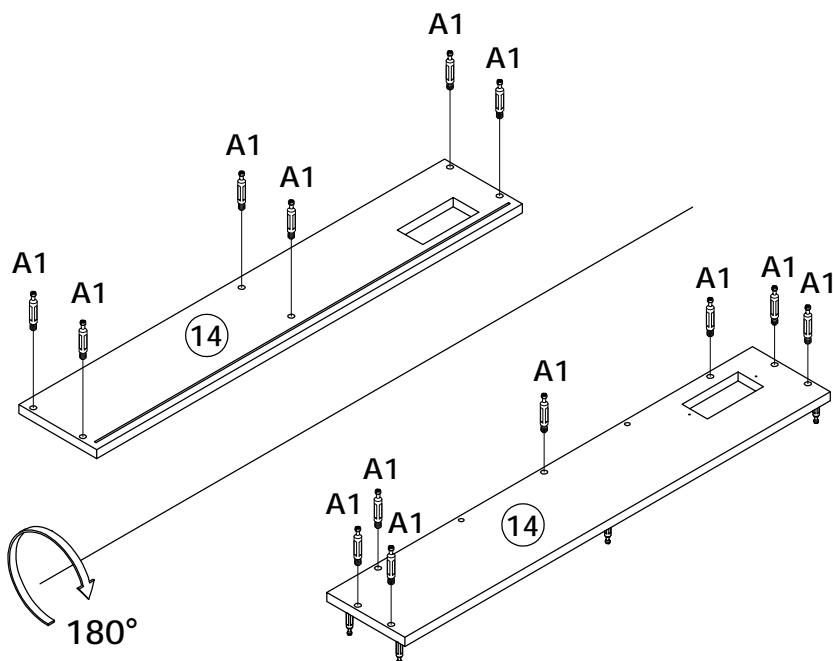


3.5 x 14mm

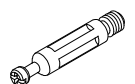
E1 x 2pcs



STEP 4

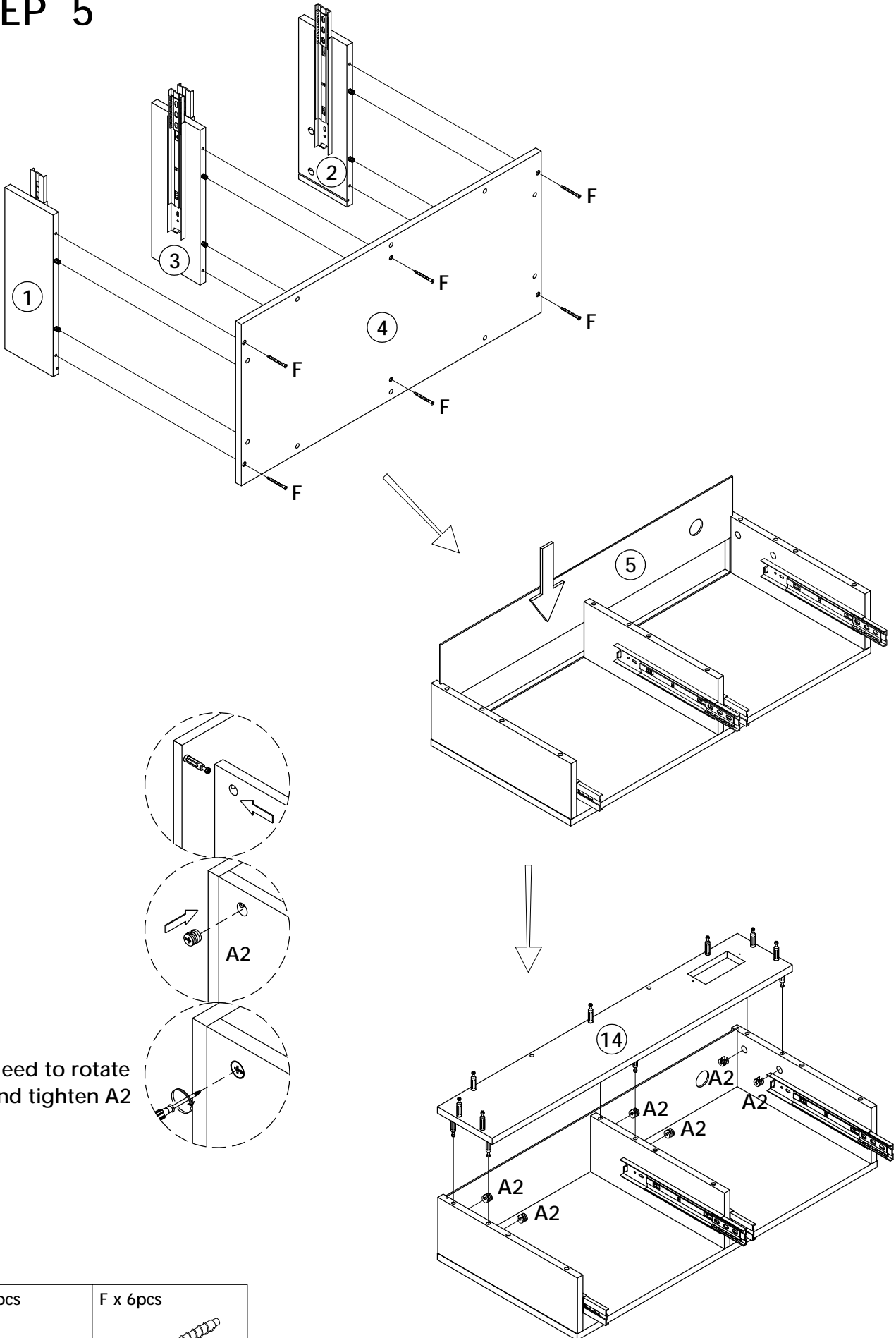


A1 x 13pcs



Assembly Instructions

STEP 5

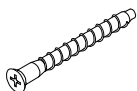


Need to rotate and tighten A2

A2 x 6pcs



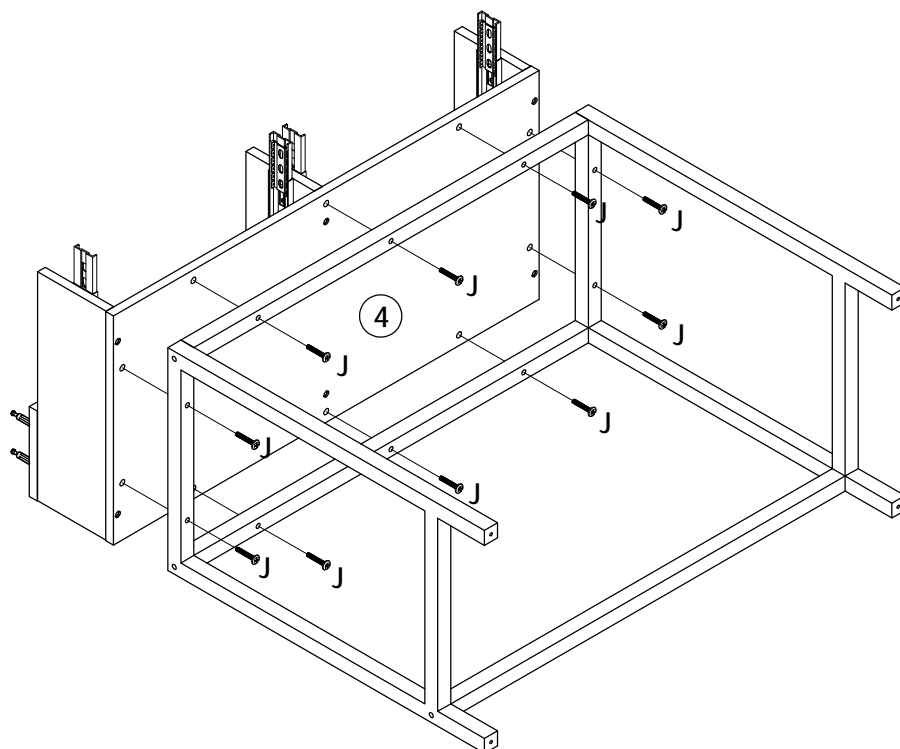
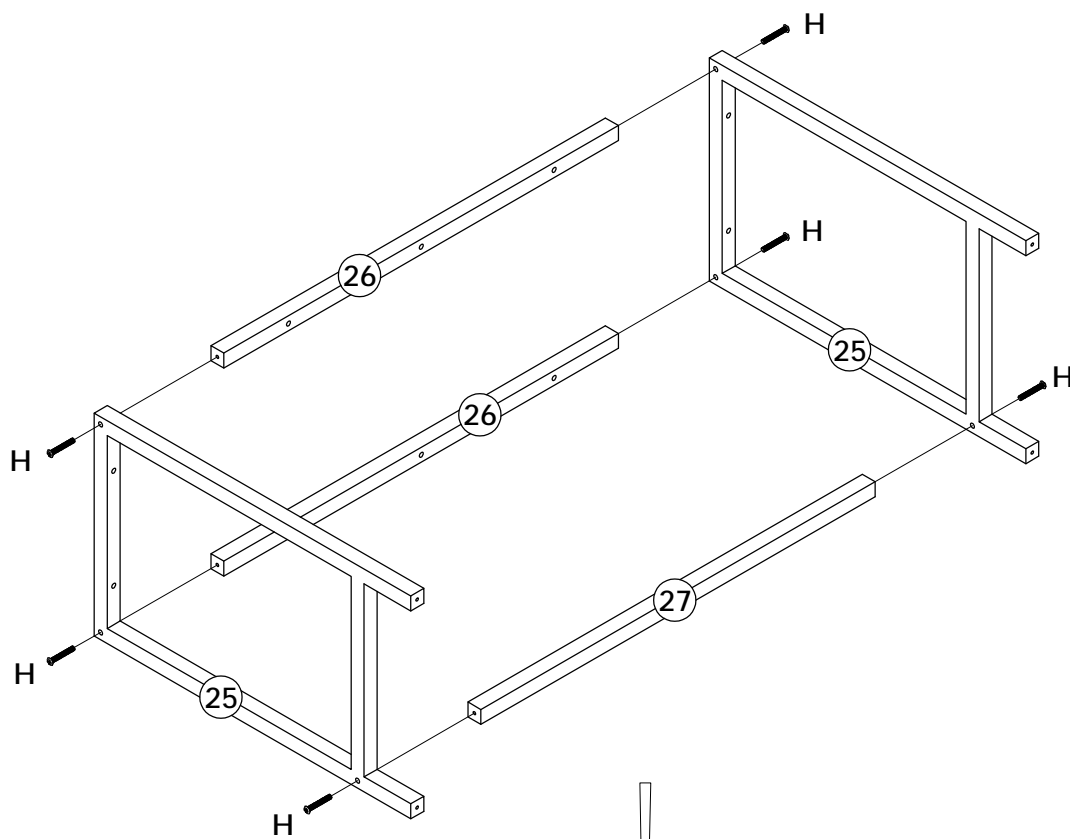
F x 6pcs



7 x 50mm

Assembly Instructions

STEP 6



H x 6pcs



M6 x 40mm

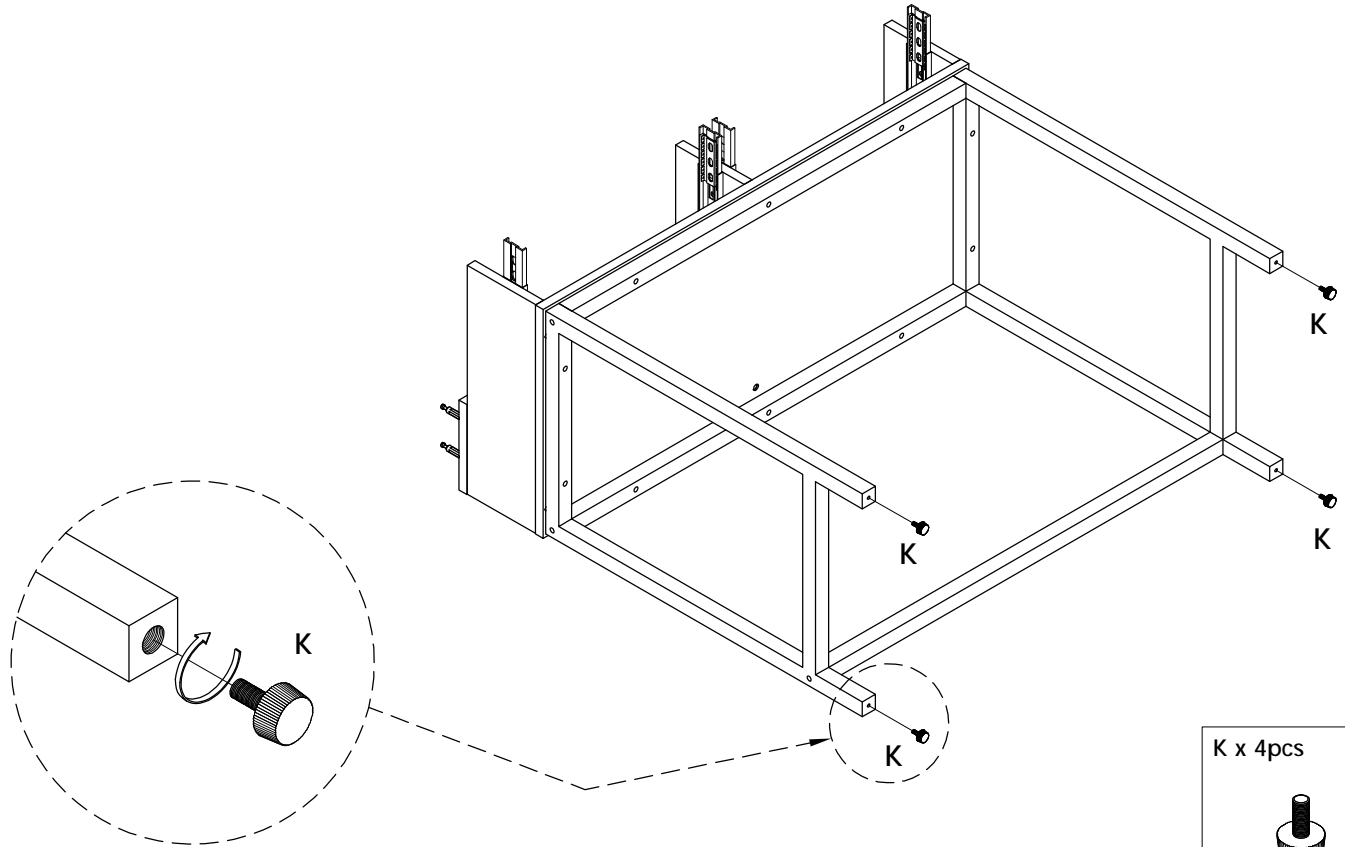
J x 10pcs



M6 x 35mm

Assembly Instructions

STEP 7

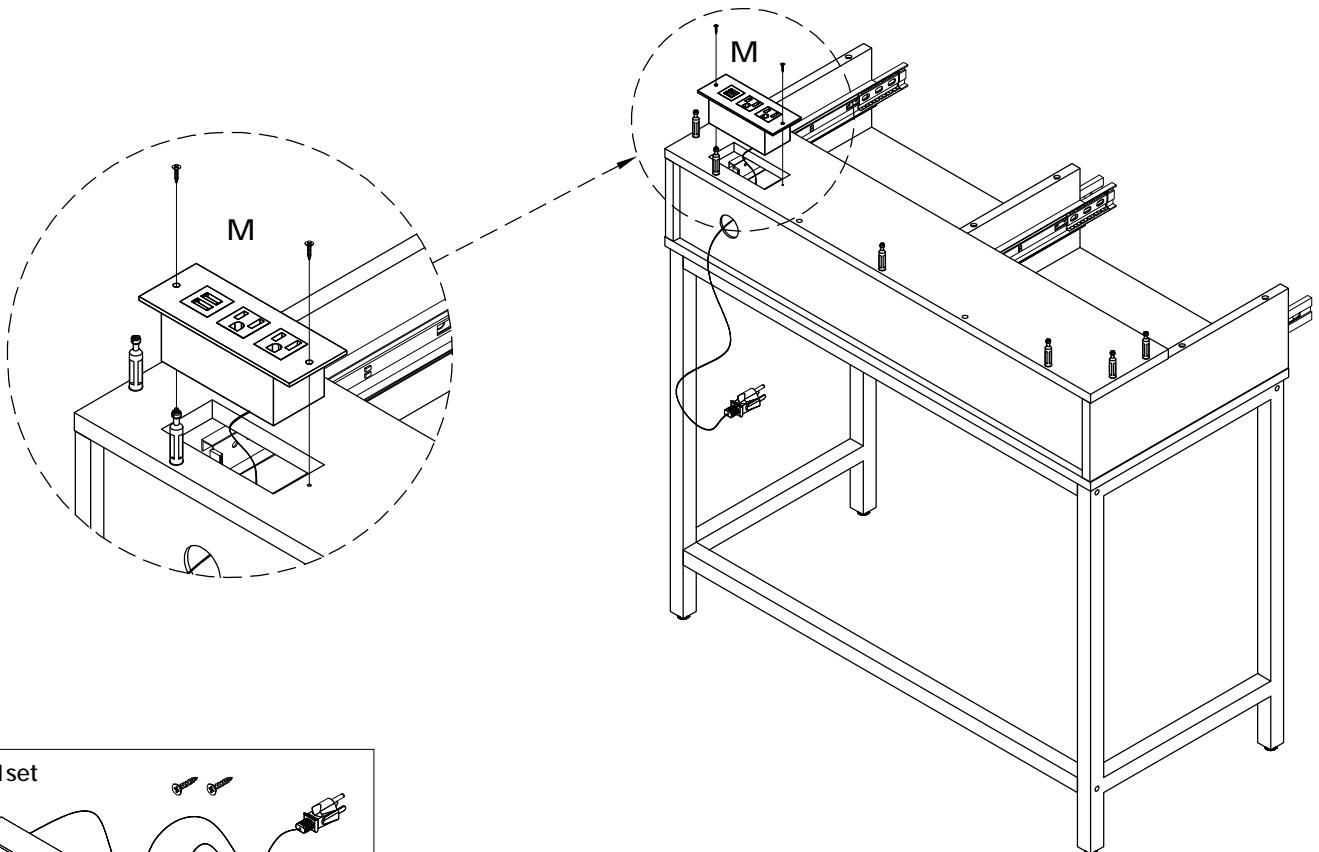


K x 4pcs

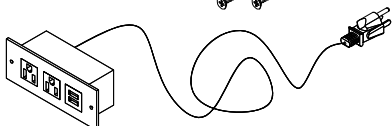


M6

STEP 8

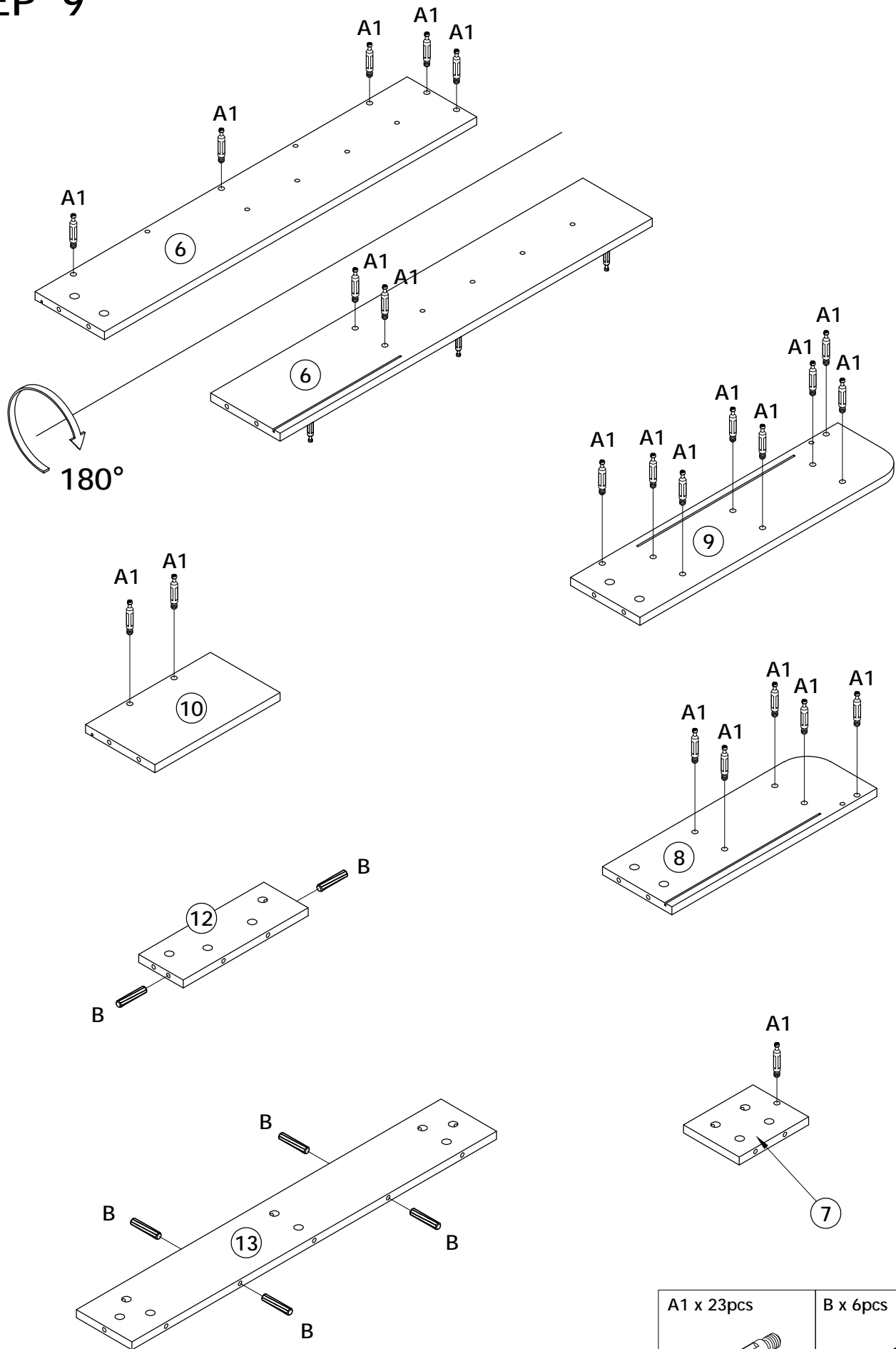


M x 1set

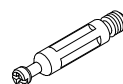


Assembly Instructions

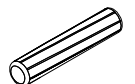
STEP 9



A1 x 23pcs



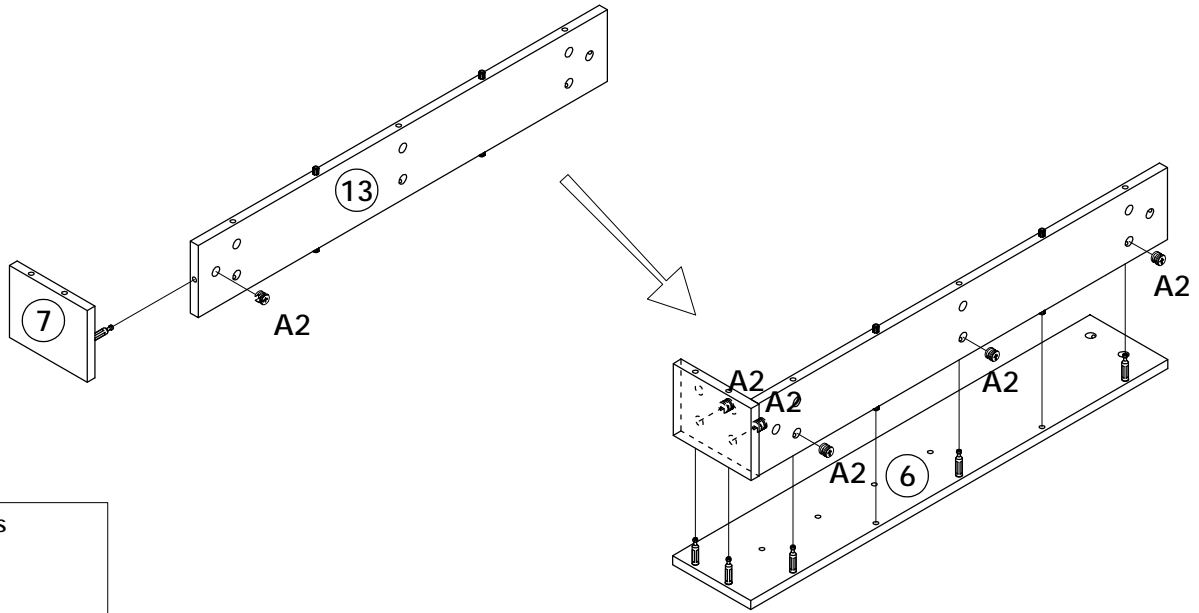
B x 6pcs



8 x 40mm

Assembly Instructions

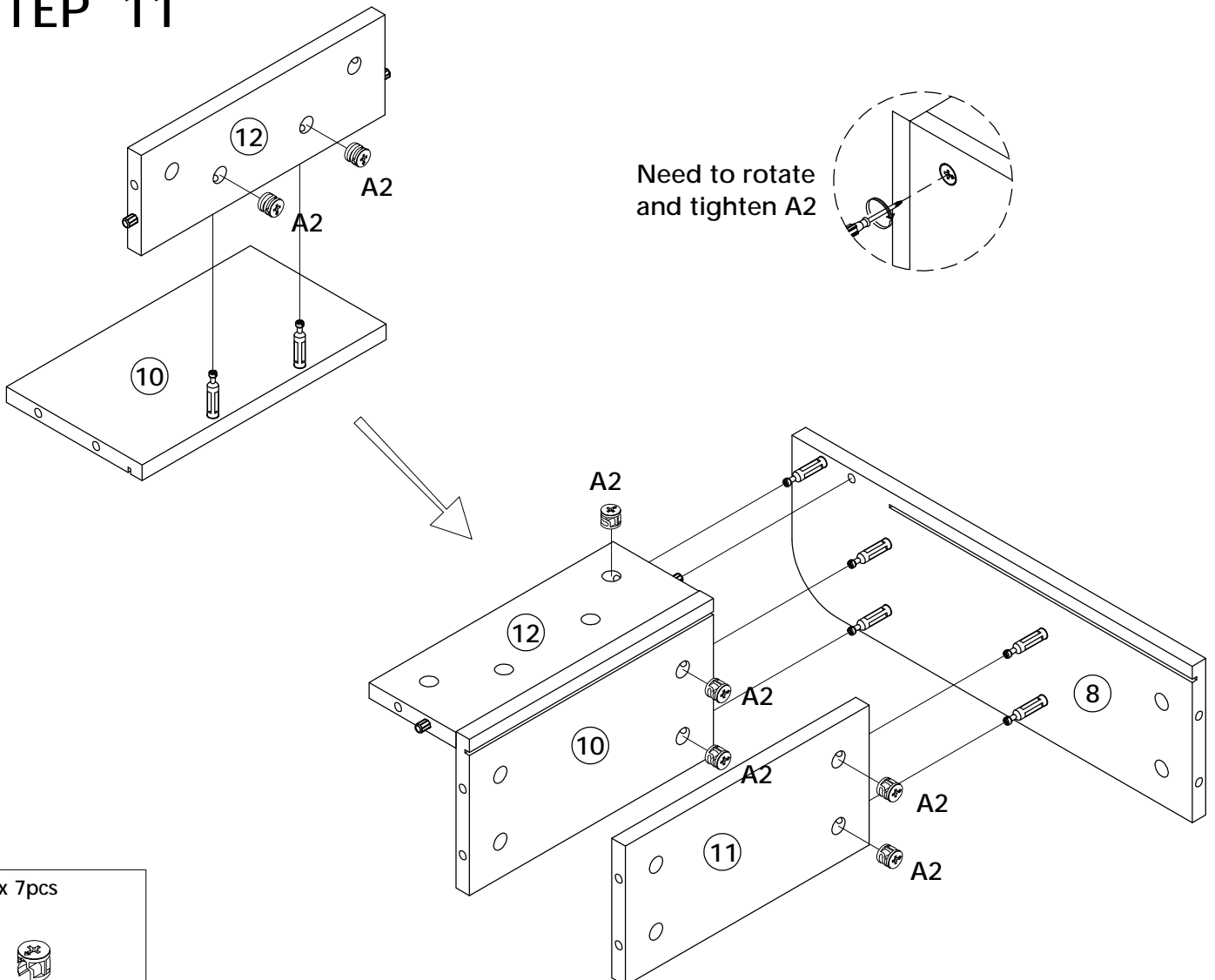
STEP 10



A2 x 6pcs



STEP 11



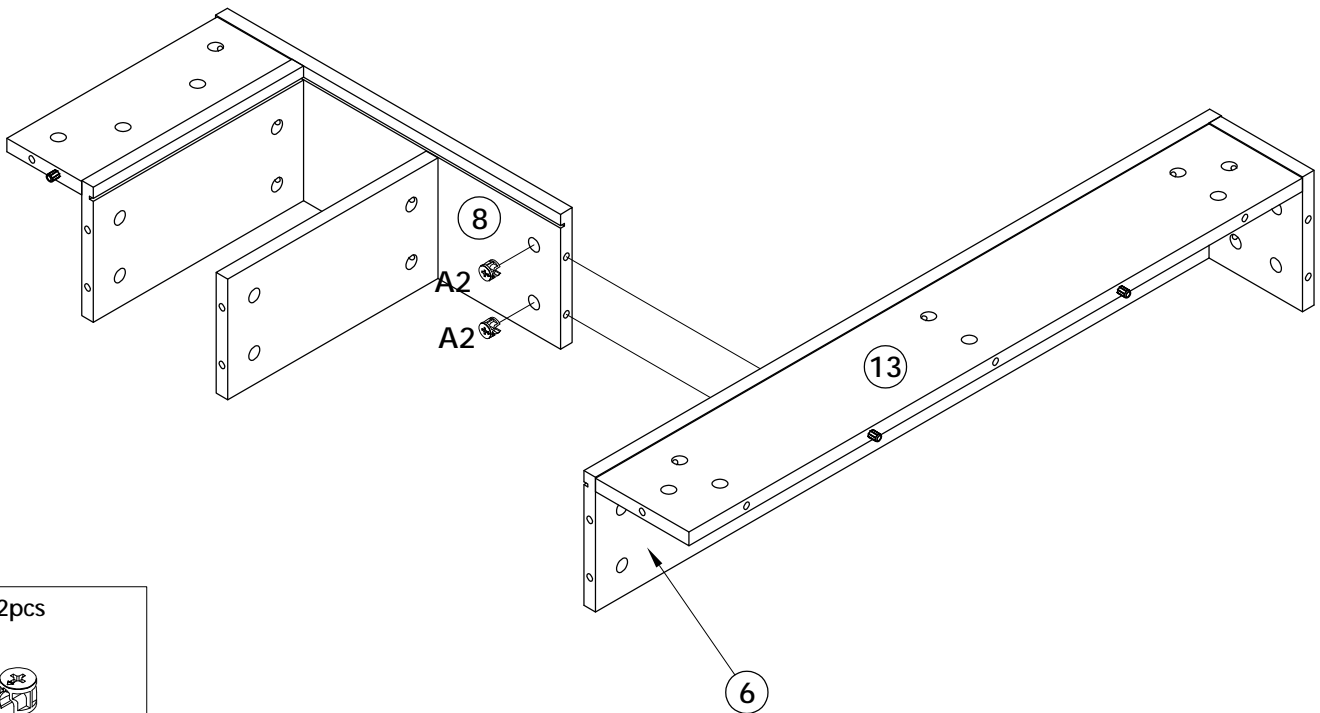
Need to rotate and tighten A2

A2 x 7pcs



Assembly Instructions

STEP 12

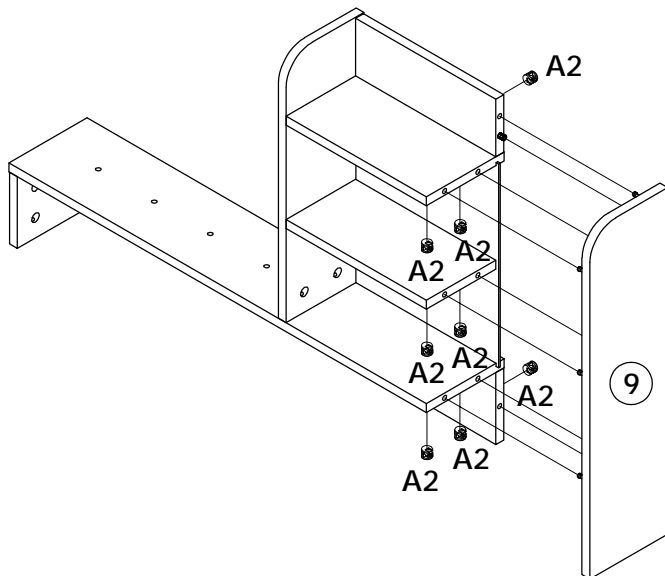
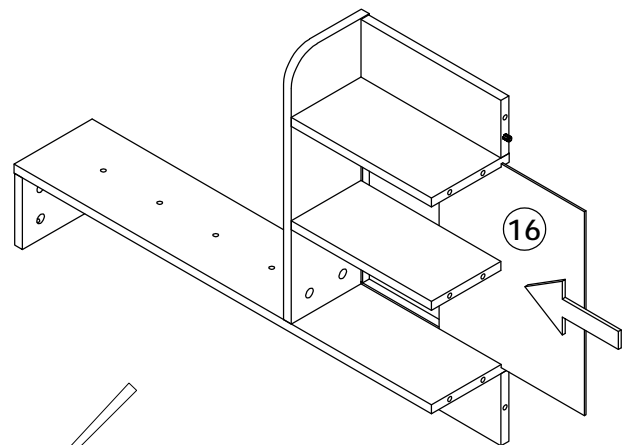
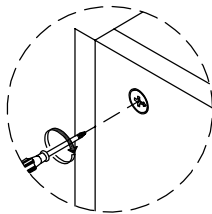


A2 x 2pcs



STEP 13

Need to rotate
and tighten A2

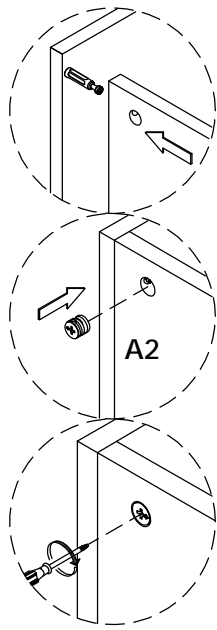


A2 x 8pcs

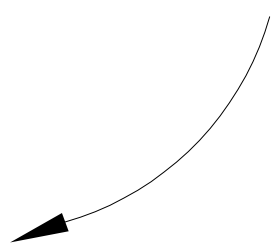
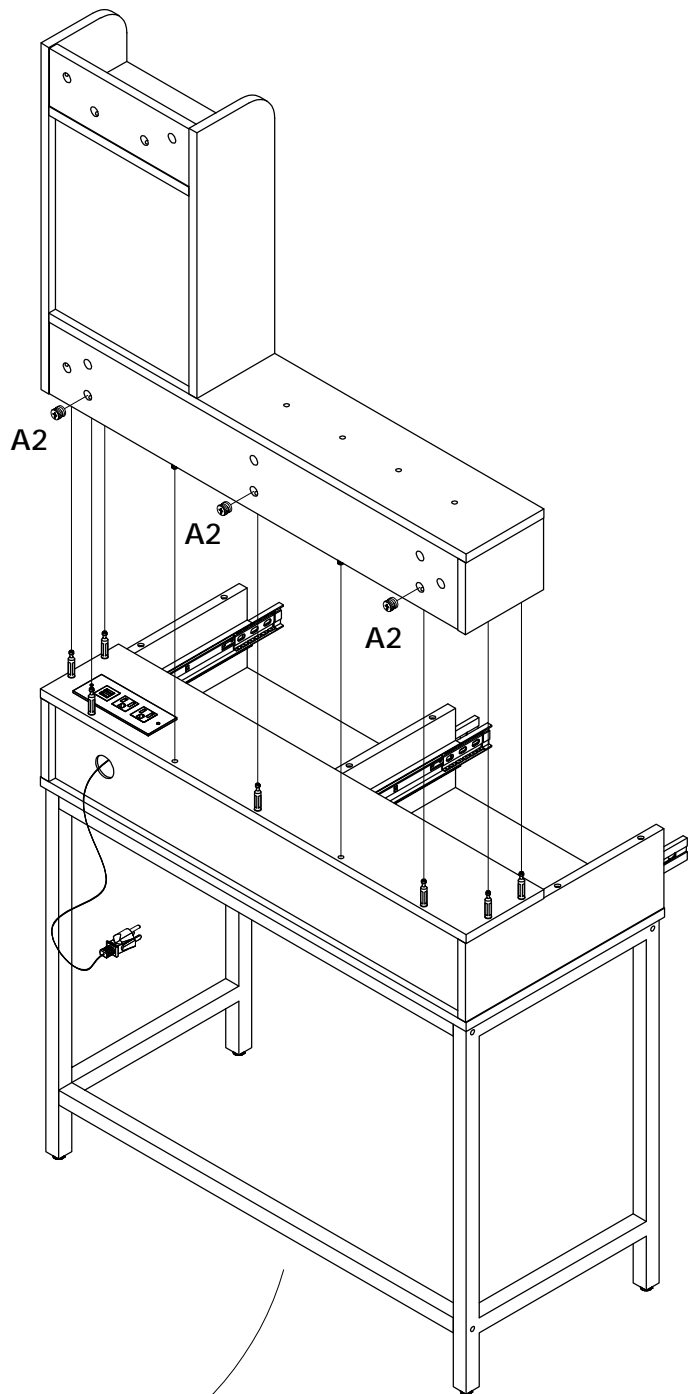
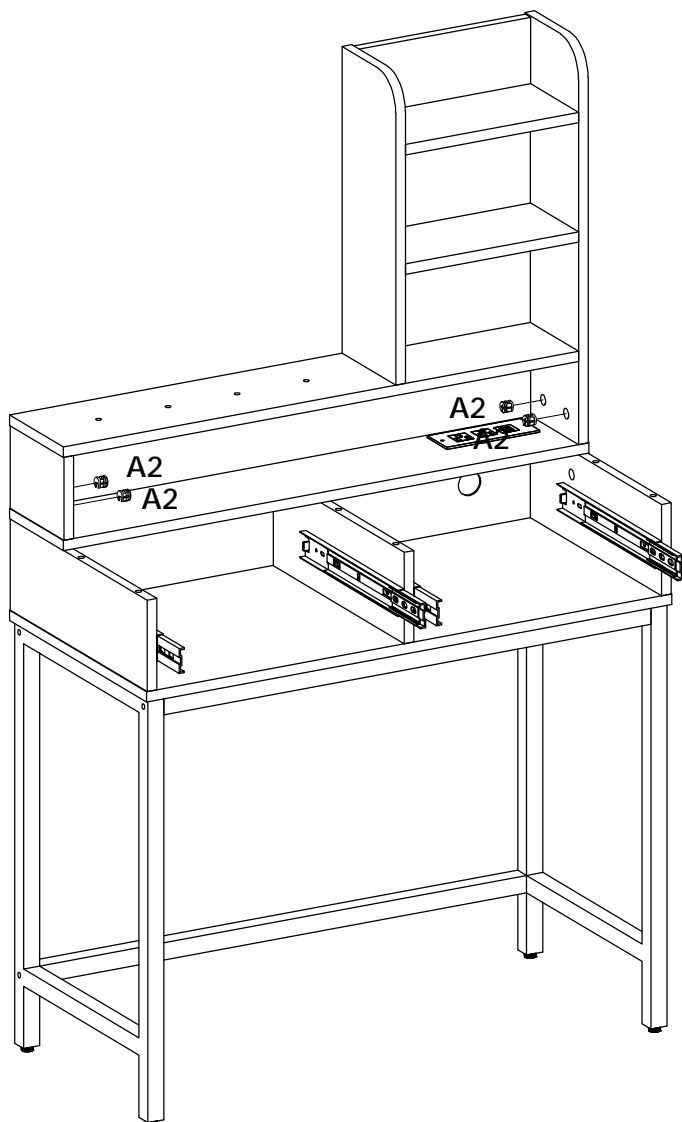


Assembly Instructions

STEP 14



Need to rotate and tighten A2

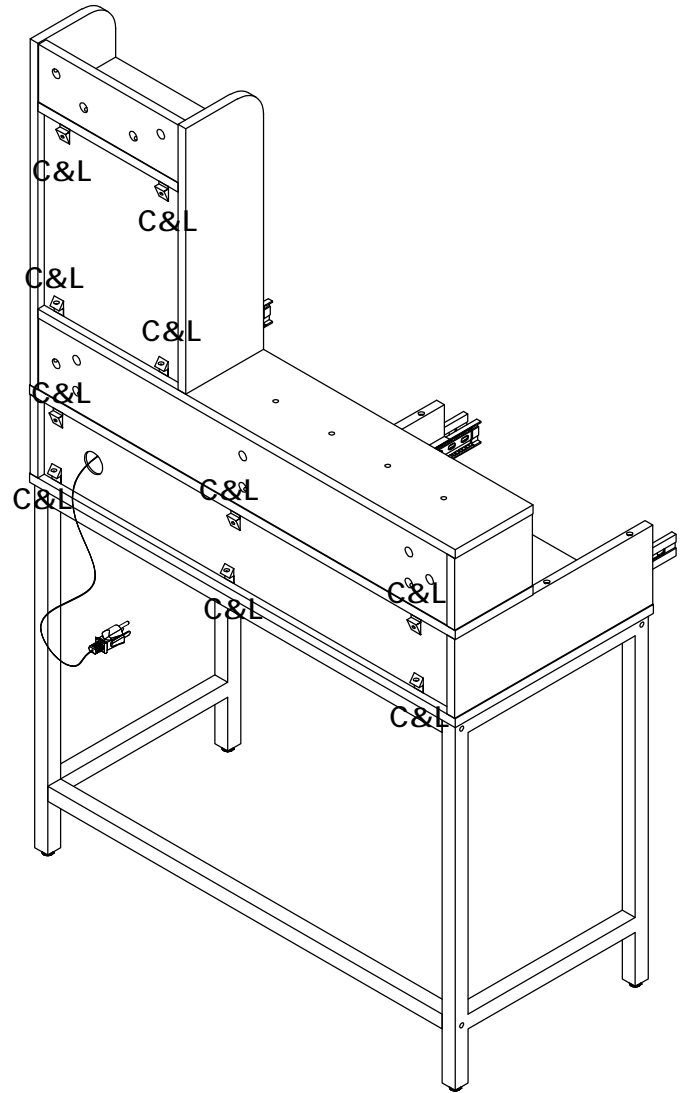
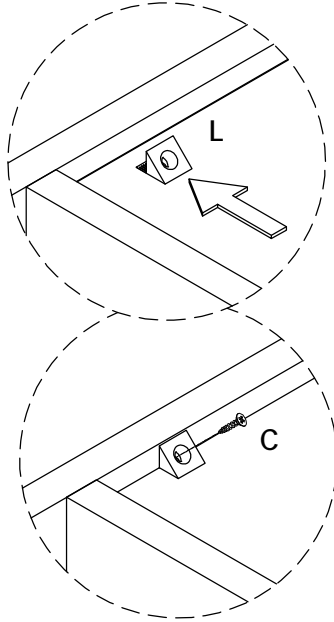


A2 x 7pcs



Assembly Instructions

STEP 15



C x 10pcs



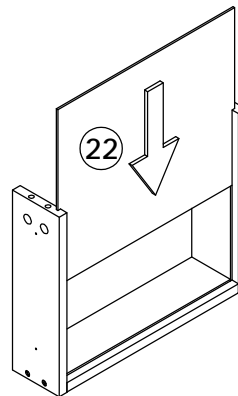
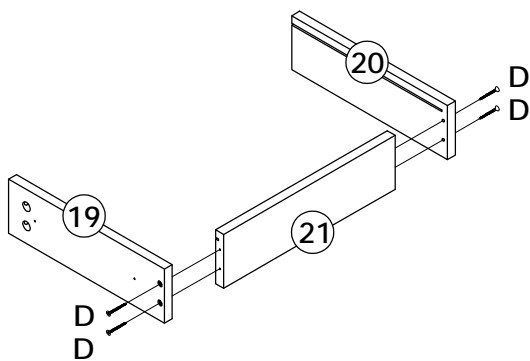
3.5 x 14mm

L x 10pcs

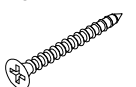


STEP 16

x 2



D x 8pcs

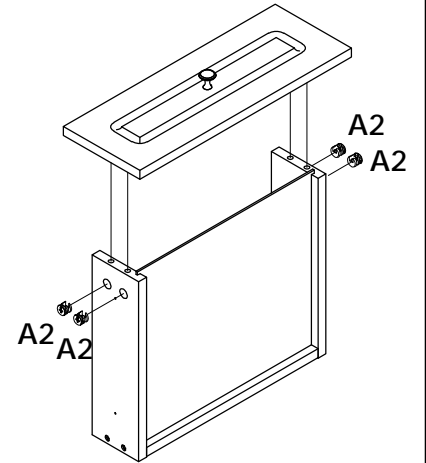
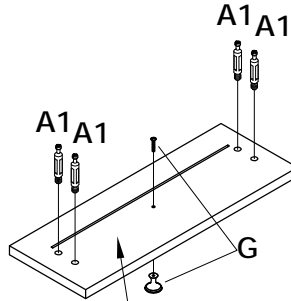
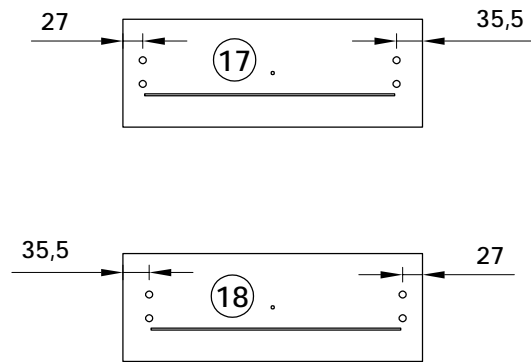


3.5 x 35mm

Assembly Instructions

STEP 17

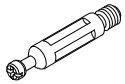
x 2



A1 x 8pcs

A2 x 8pcs

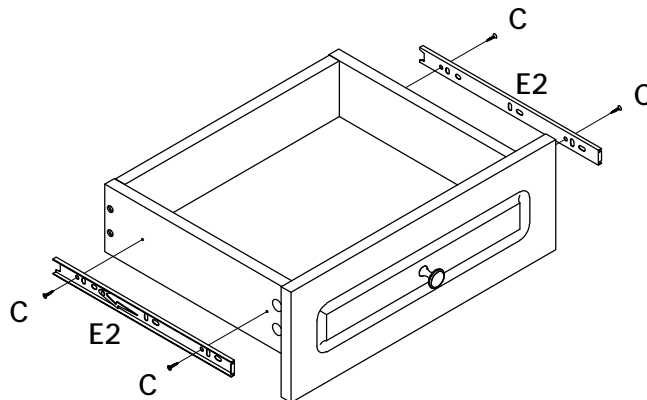
G x 2sets



17 & 18

STEP 18

x 2

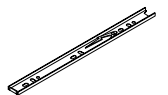


C x 8pcs



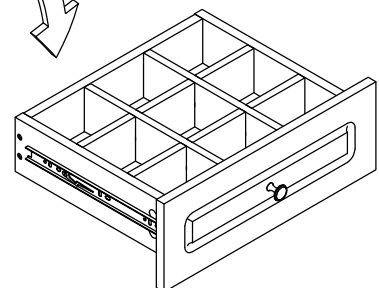
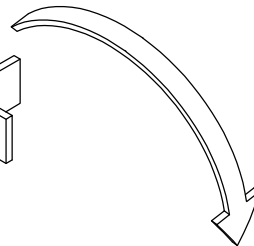
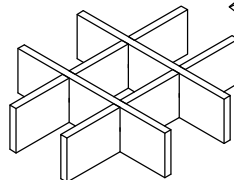
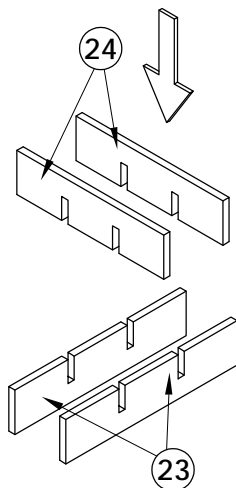
3.5 x 14mm

E2 x 4pcs



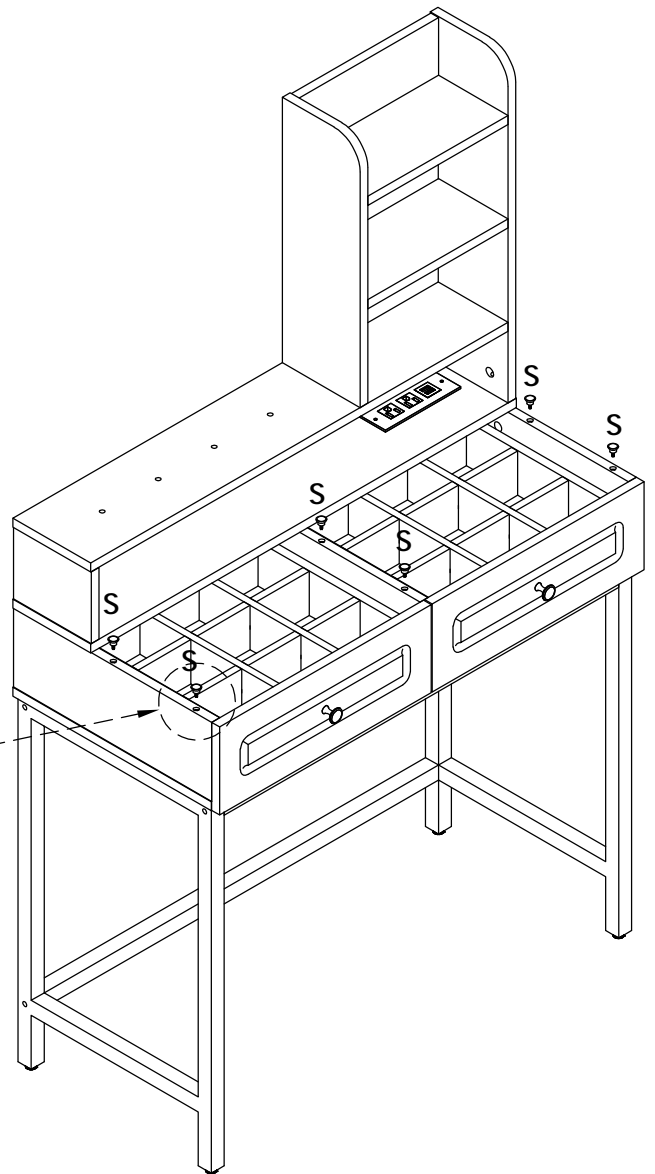
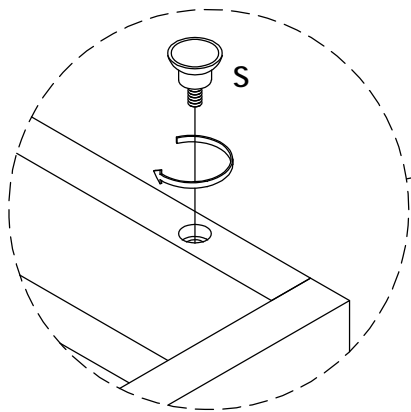
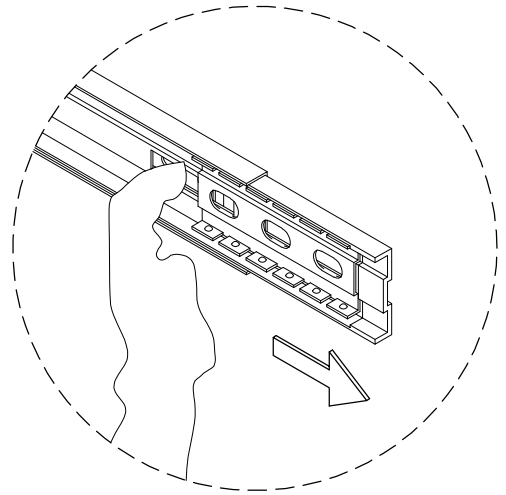
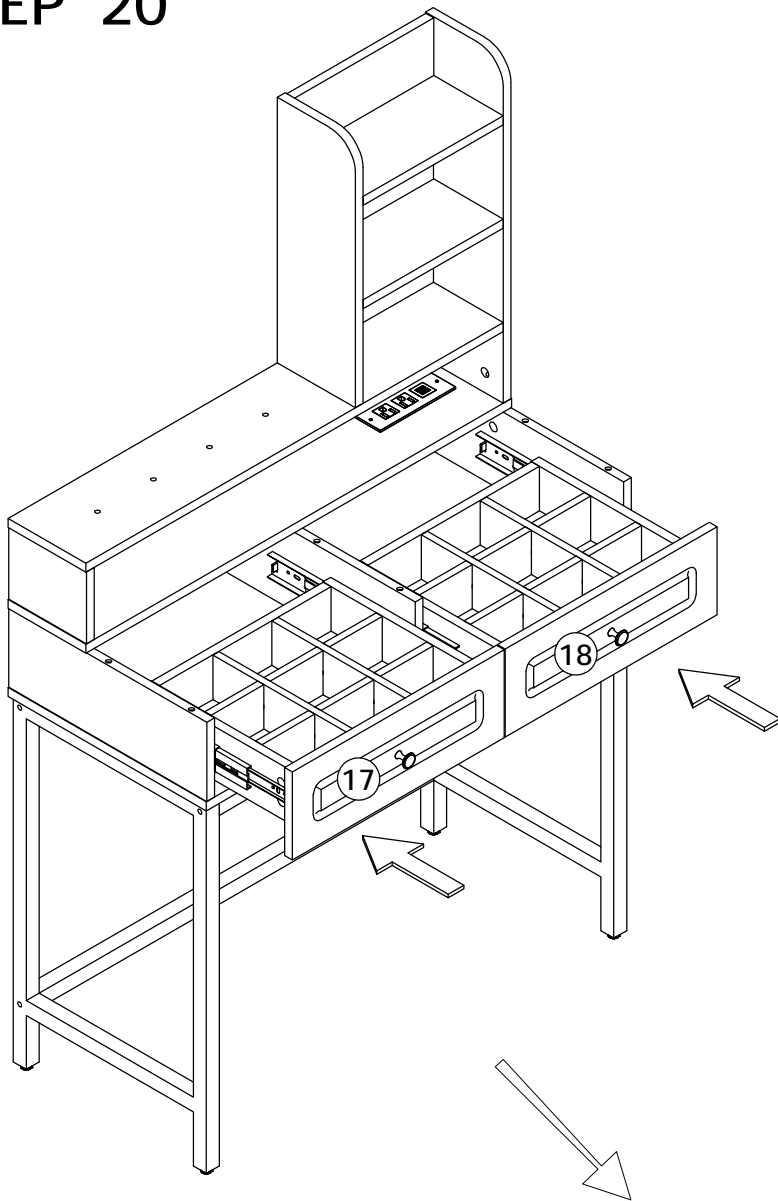
STEP 19

x 2



Assembly Instructions

STEP 20

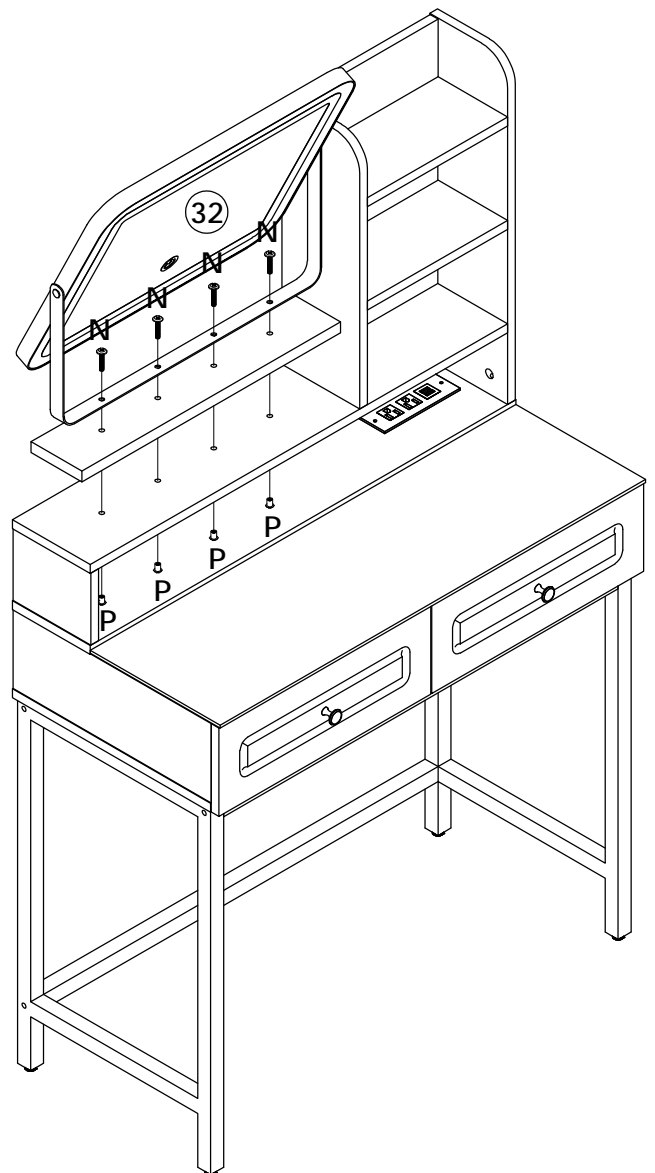
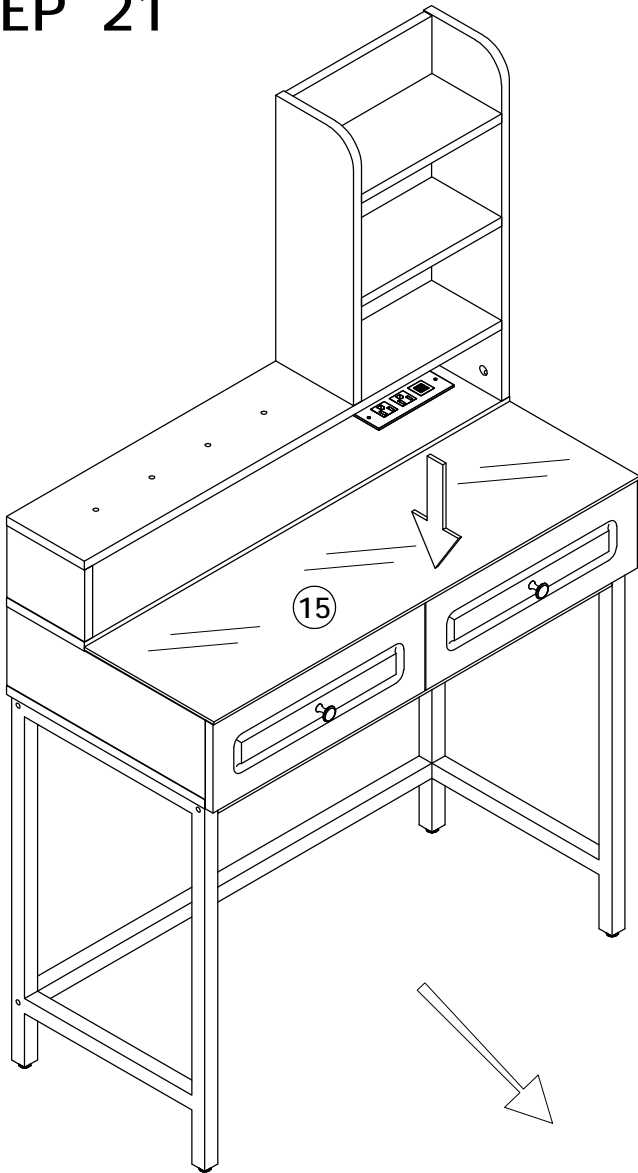


S x 6pcs



Assembly Instructions

STEP 21



N x 4pcs



M6 x 30mm

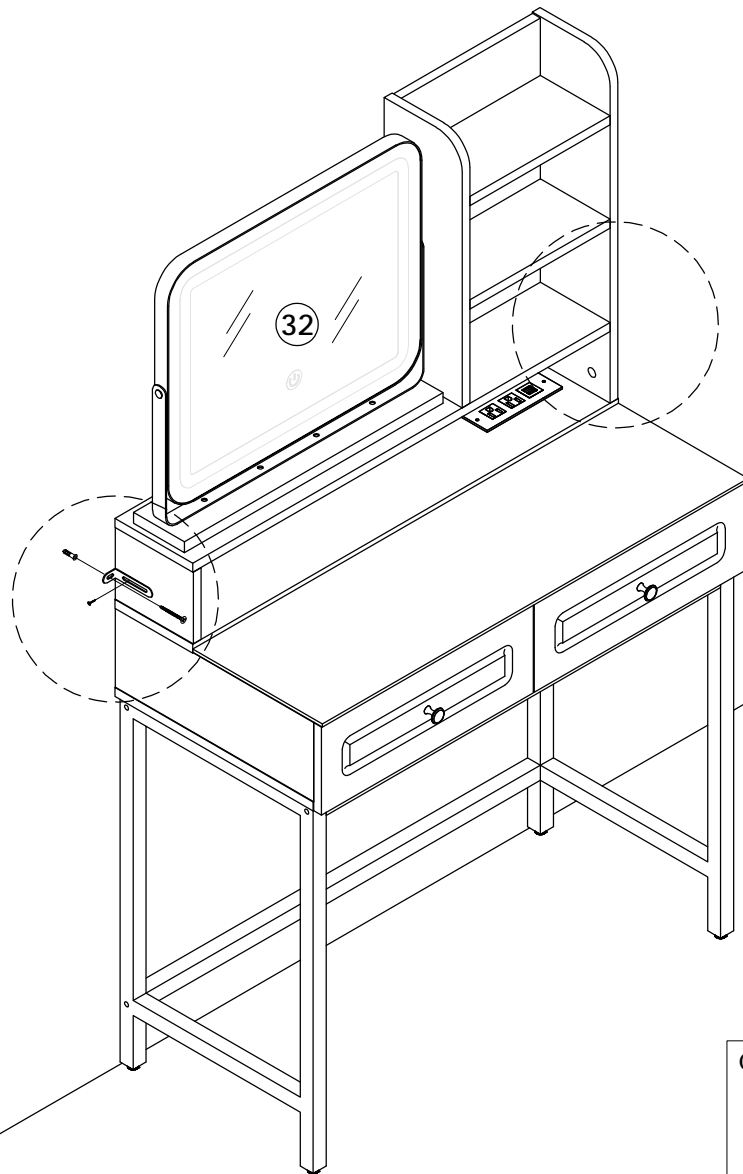
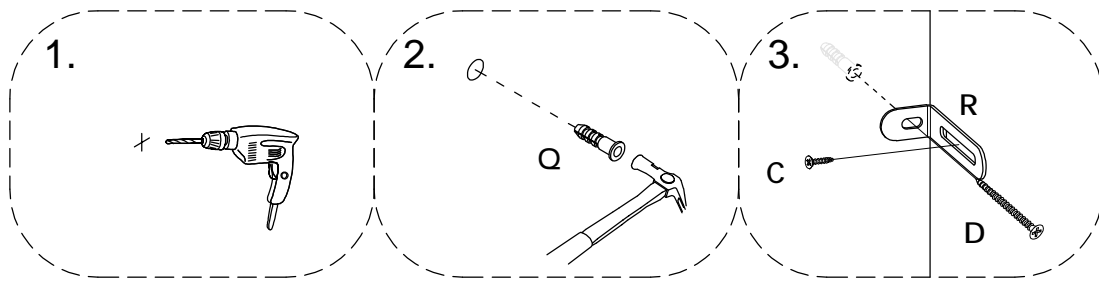
P x 4pcs



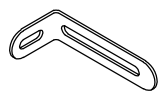



M6 x 15mm

Assembly Instructions

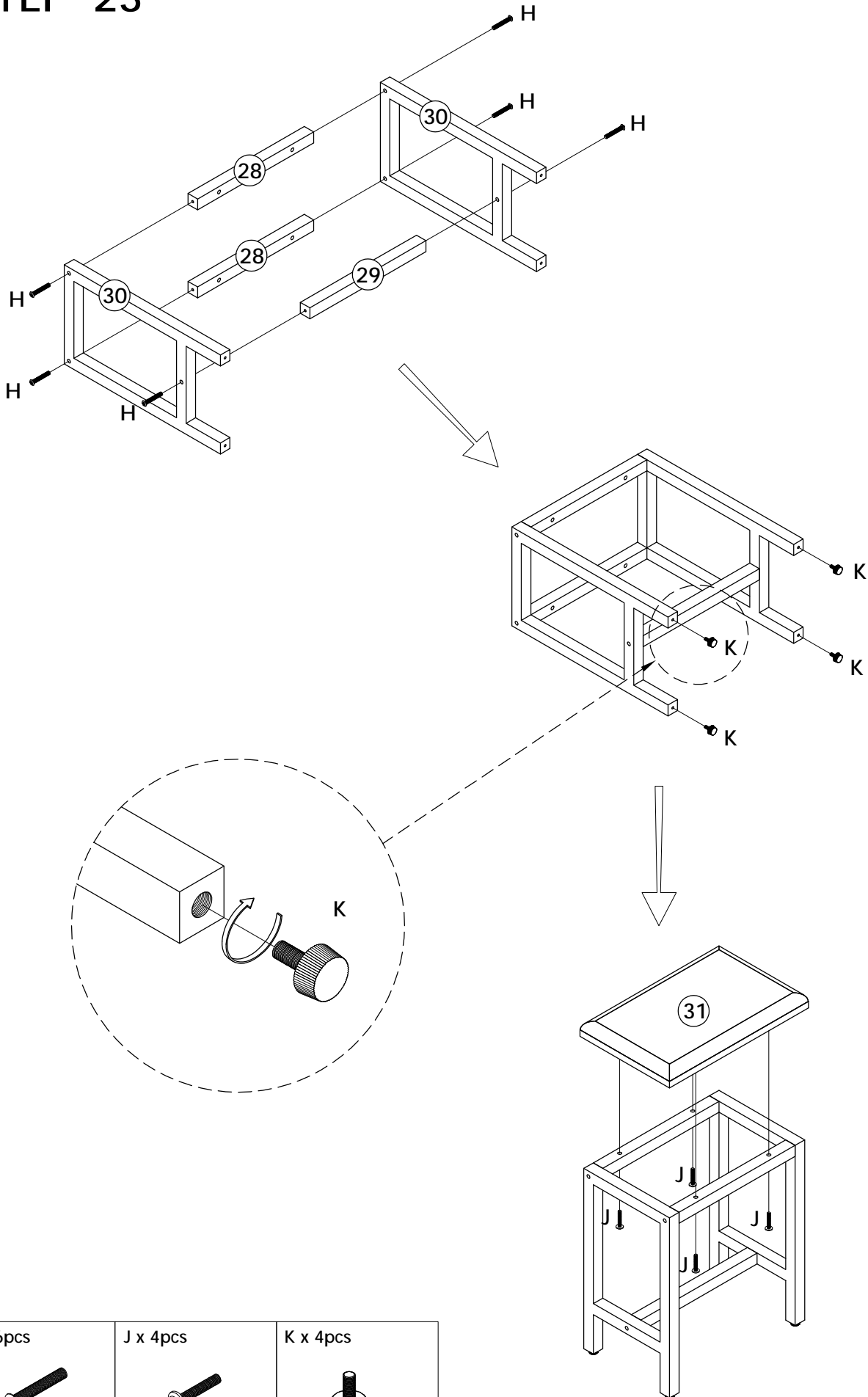
STEP 22



C x 2pcs  3.5 x 14mm	D x 2pcs  3.5 x 35mm
Q x 2pcs 	R x 2pcs  30 x 6mm

Assembly Instructions

STEP 23



H x 6pcs



M6 x 40mm

J x 4pcs



M6 x 35mm

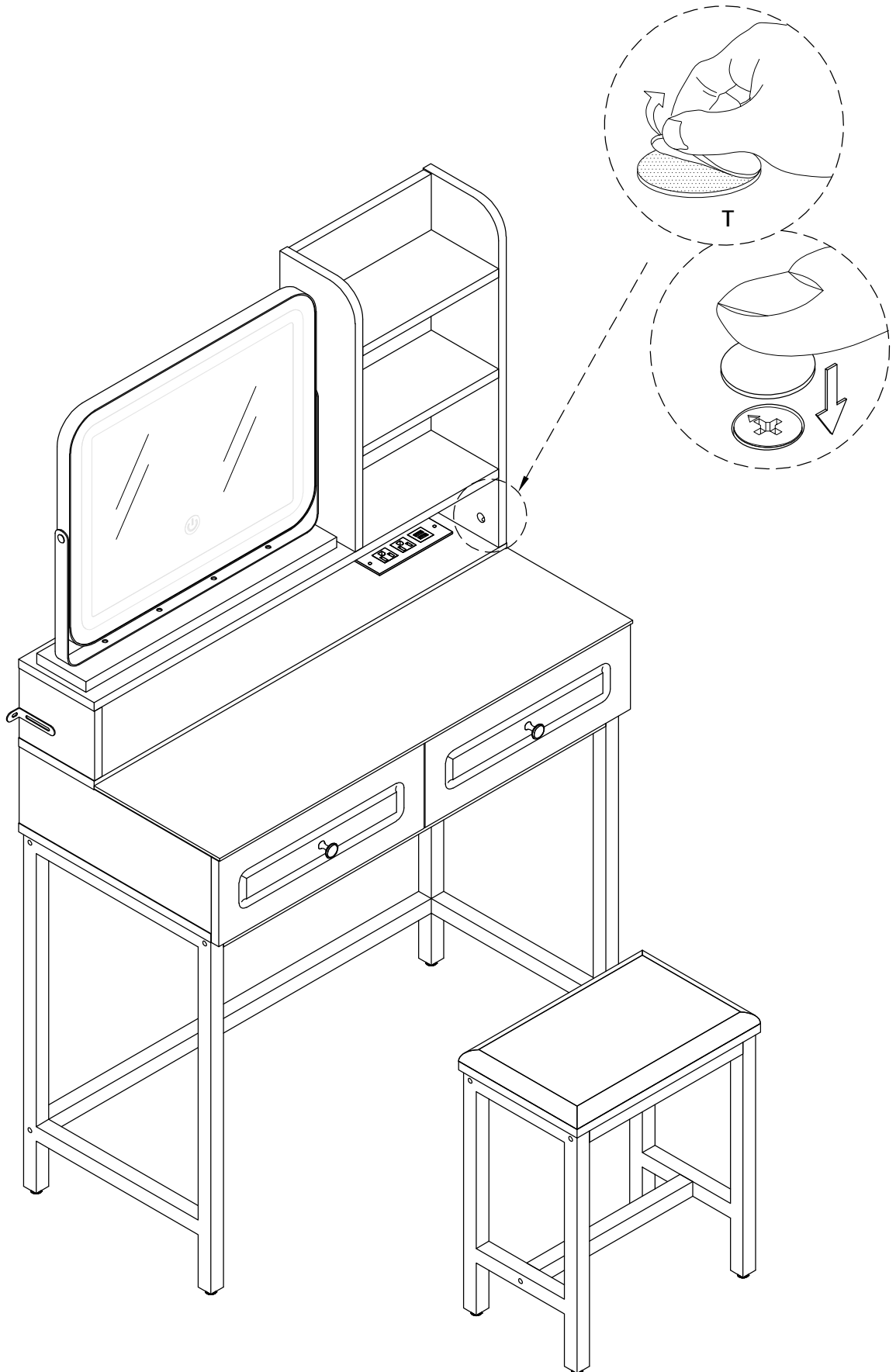
K x 4pcs



M6

Assembly Instructions

STEP 24



T x 30pcs

