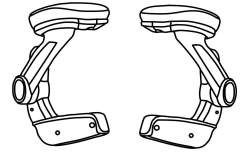
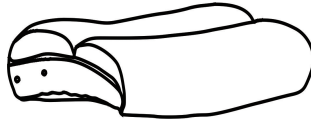
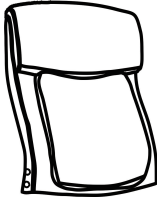
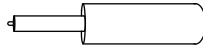
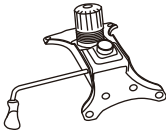


PARTS LIST

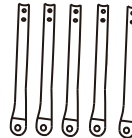
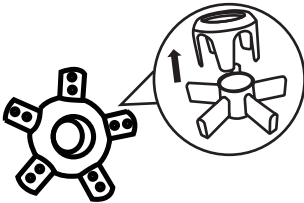
- 1** Backrest **2** Seat Cushion **3** Armrest








- 4** Mechanism **5** Gaslift **6** Castors



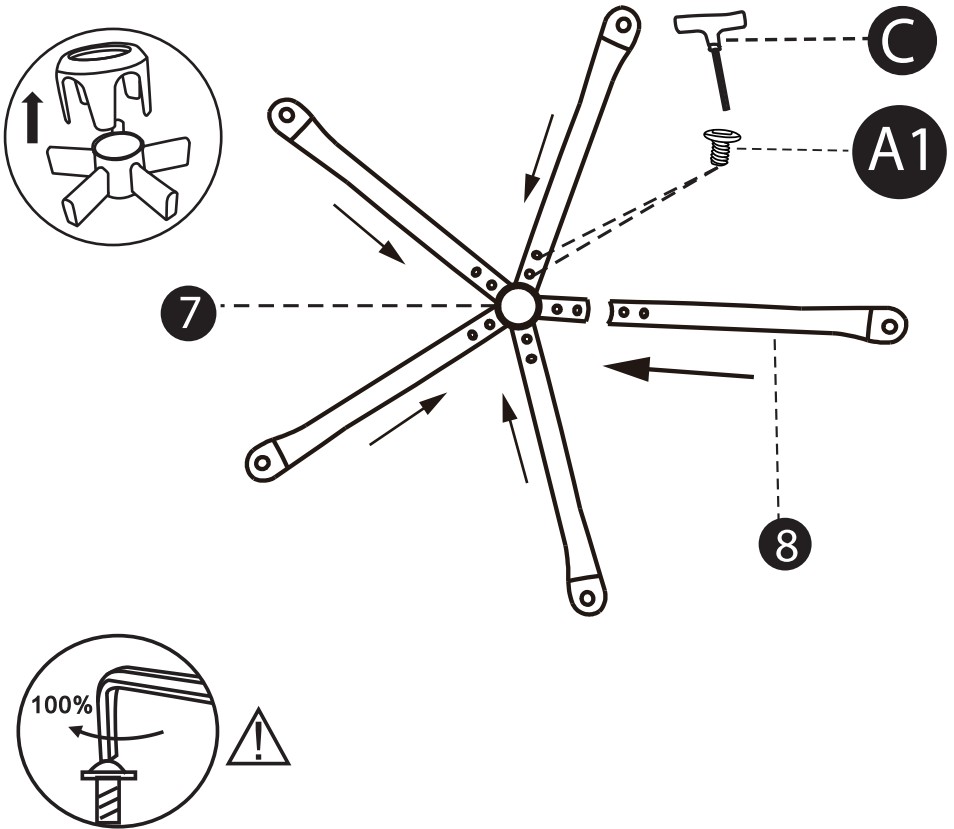
- 7** Base **8** Base Legs



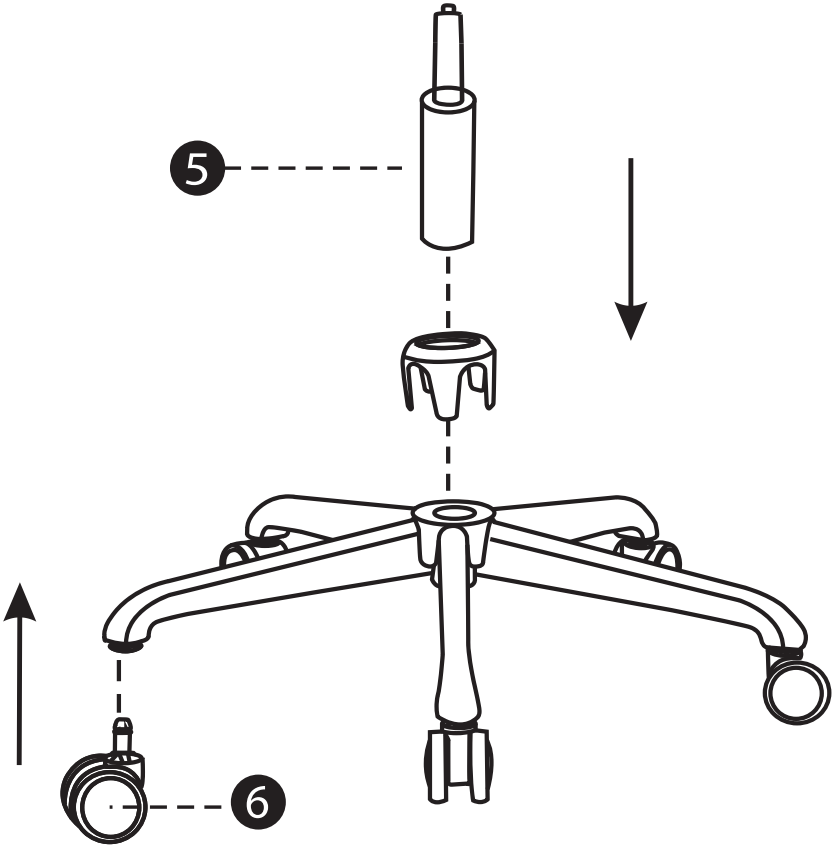
Hardware Kit

A1 Small Bolts(M6×18mm)		10
A2 Big Bolts(1/4"×7/8")		4
A3 Big Bolts(1/4"×1")		8
B Caps		8
C Allen Key		1

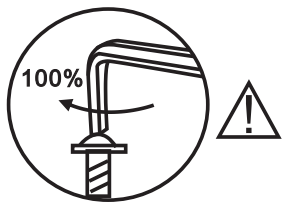
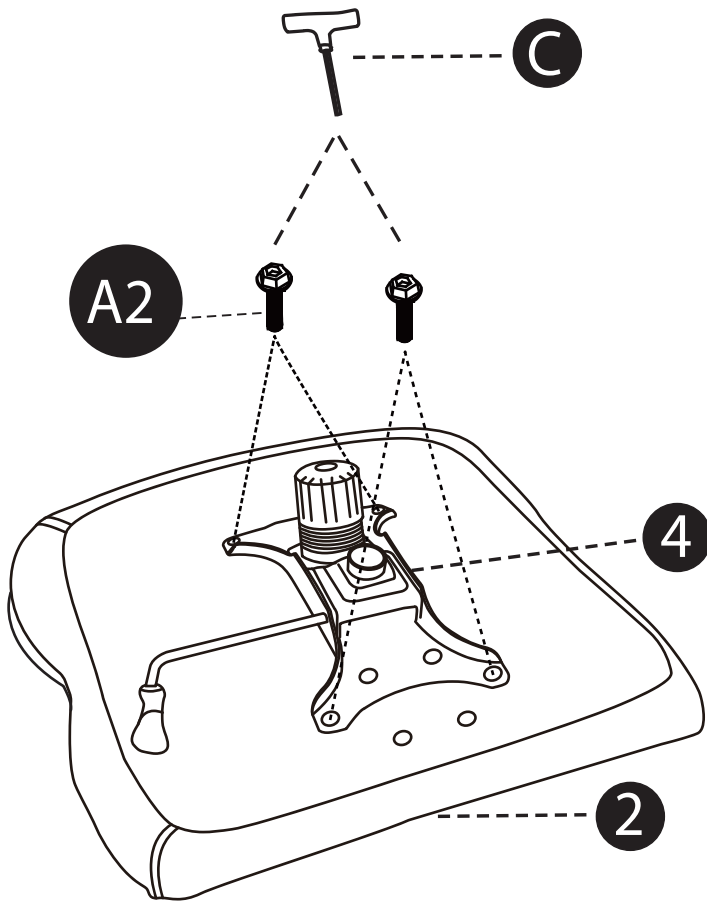
Step 1:



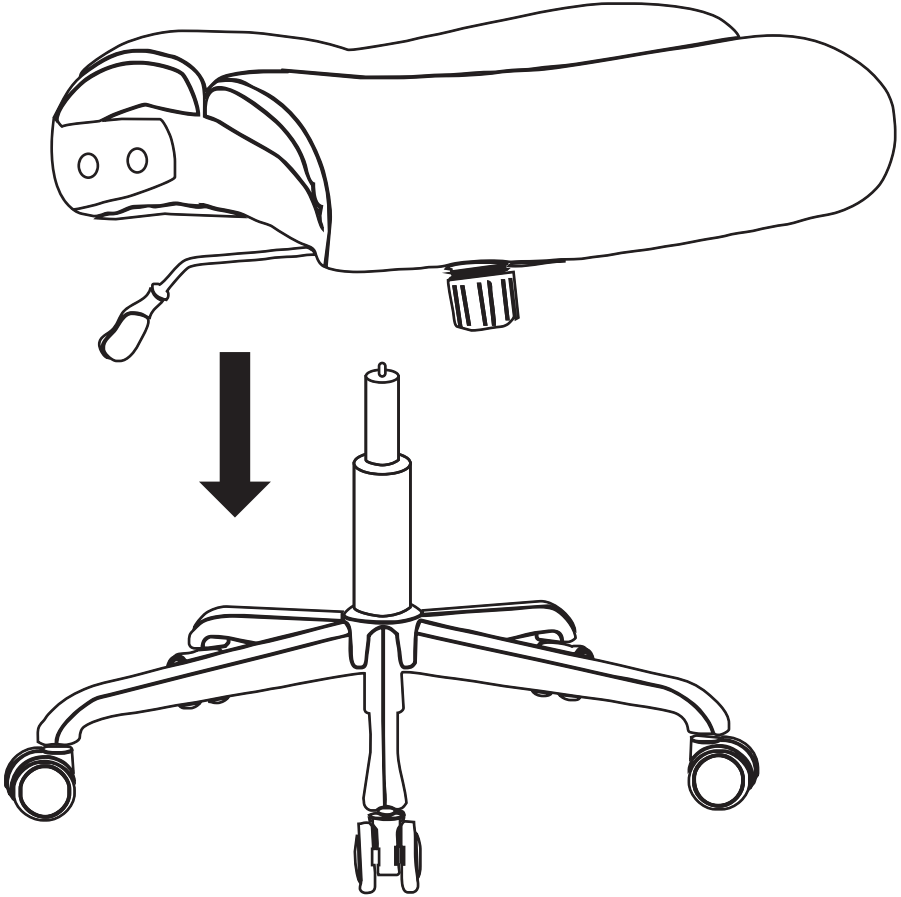
Step 2:



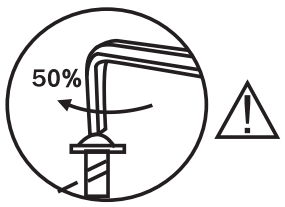
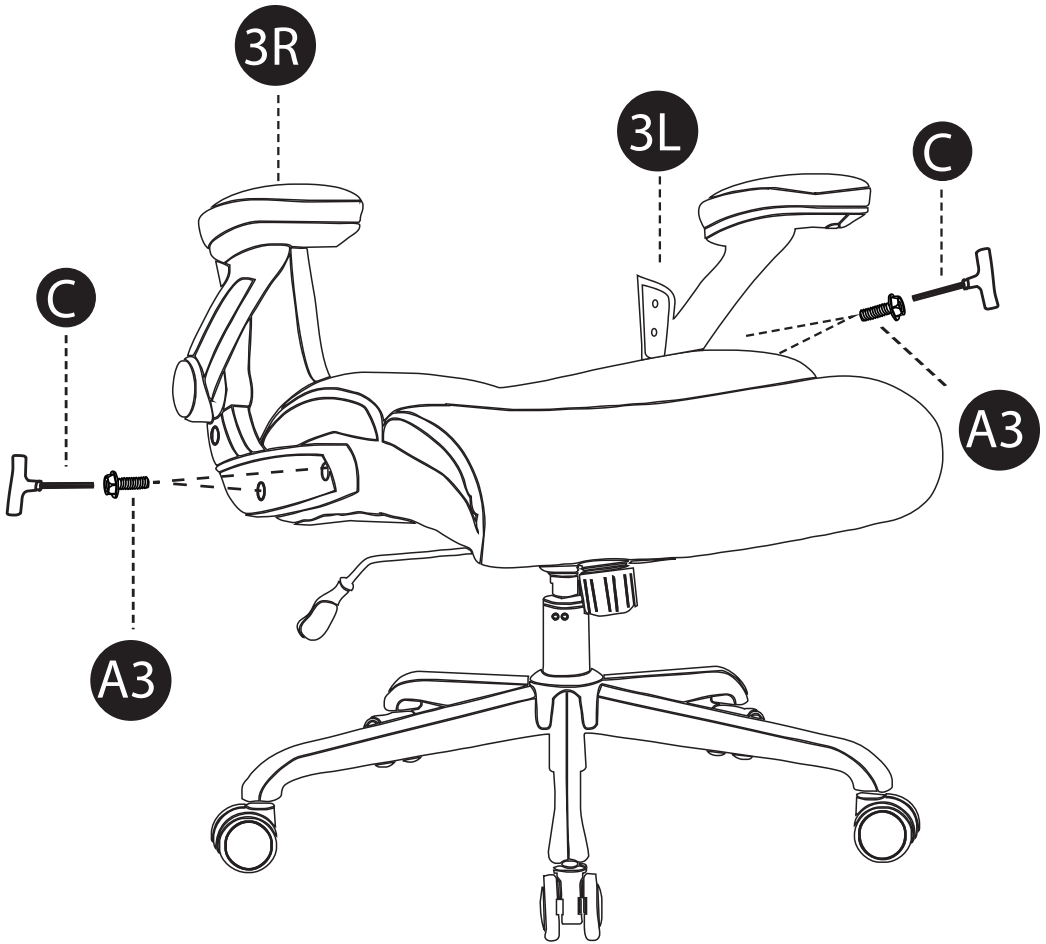
Step 3:



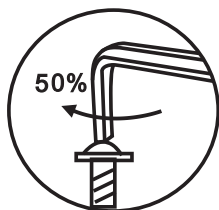
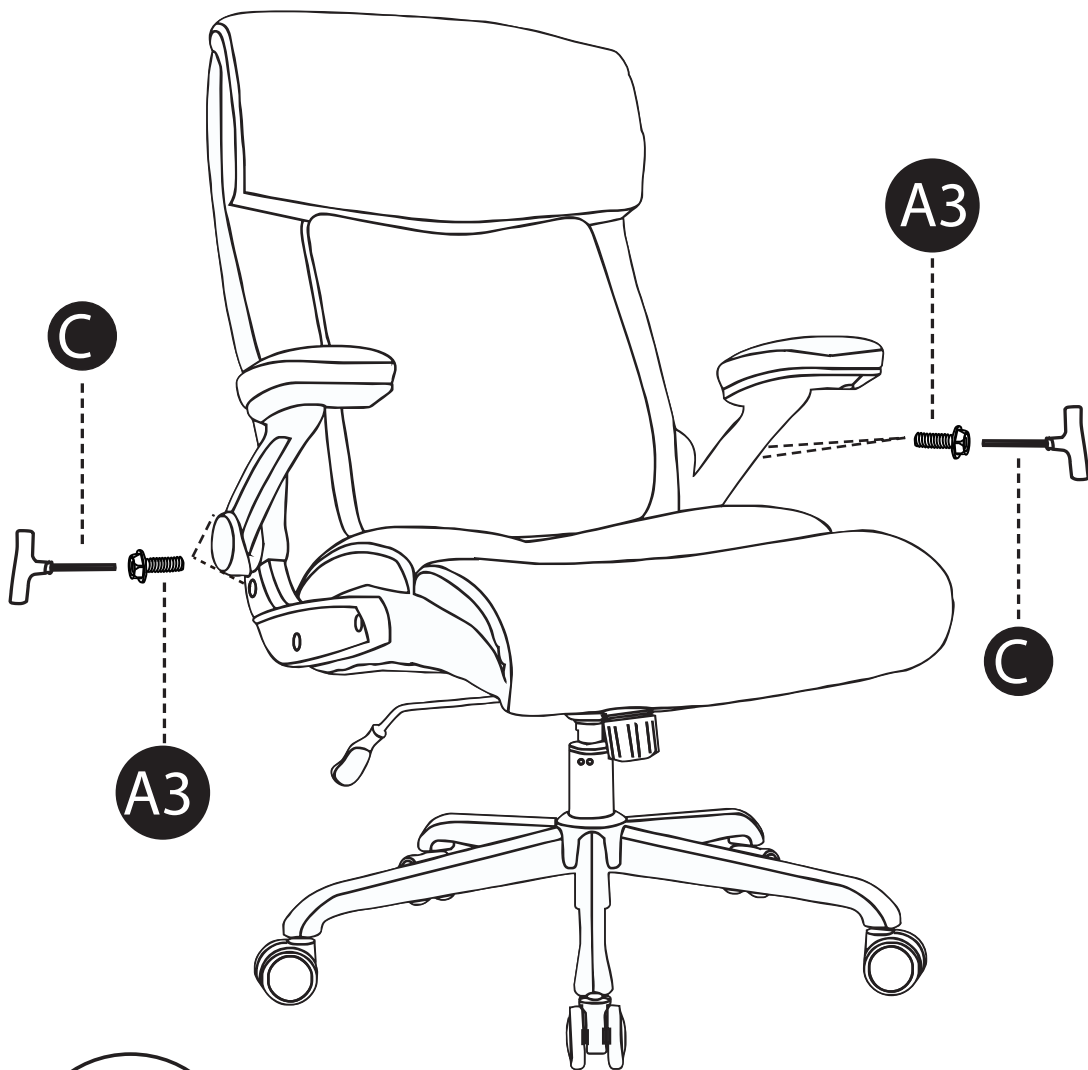
Step 4:



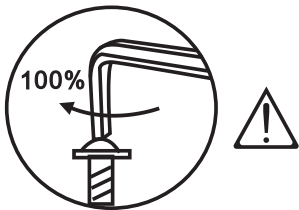
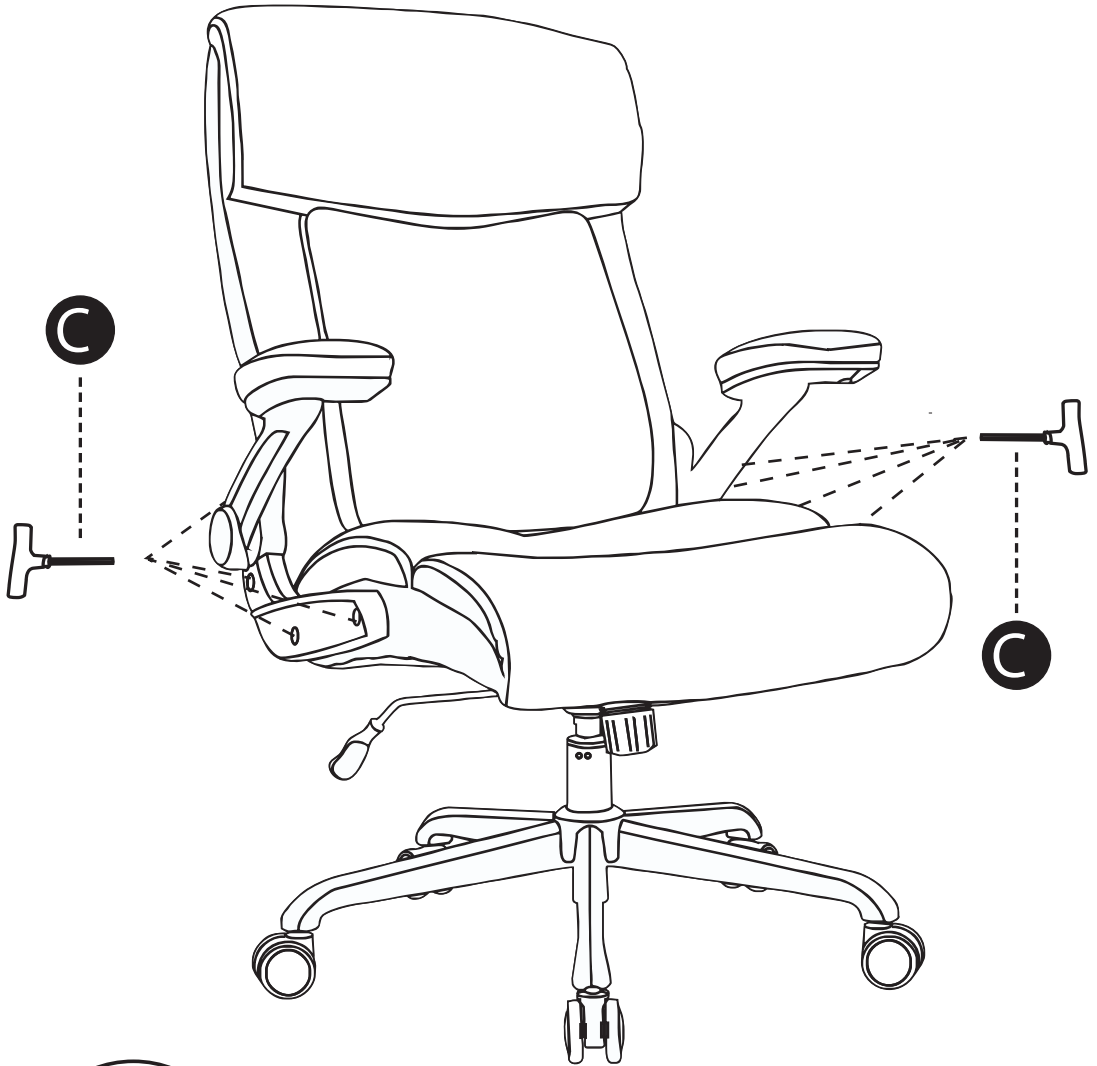
Step 5:



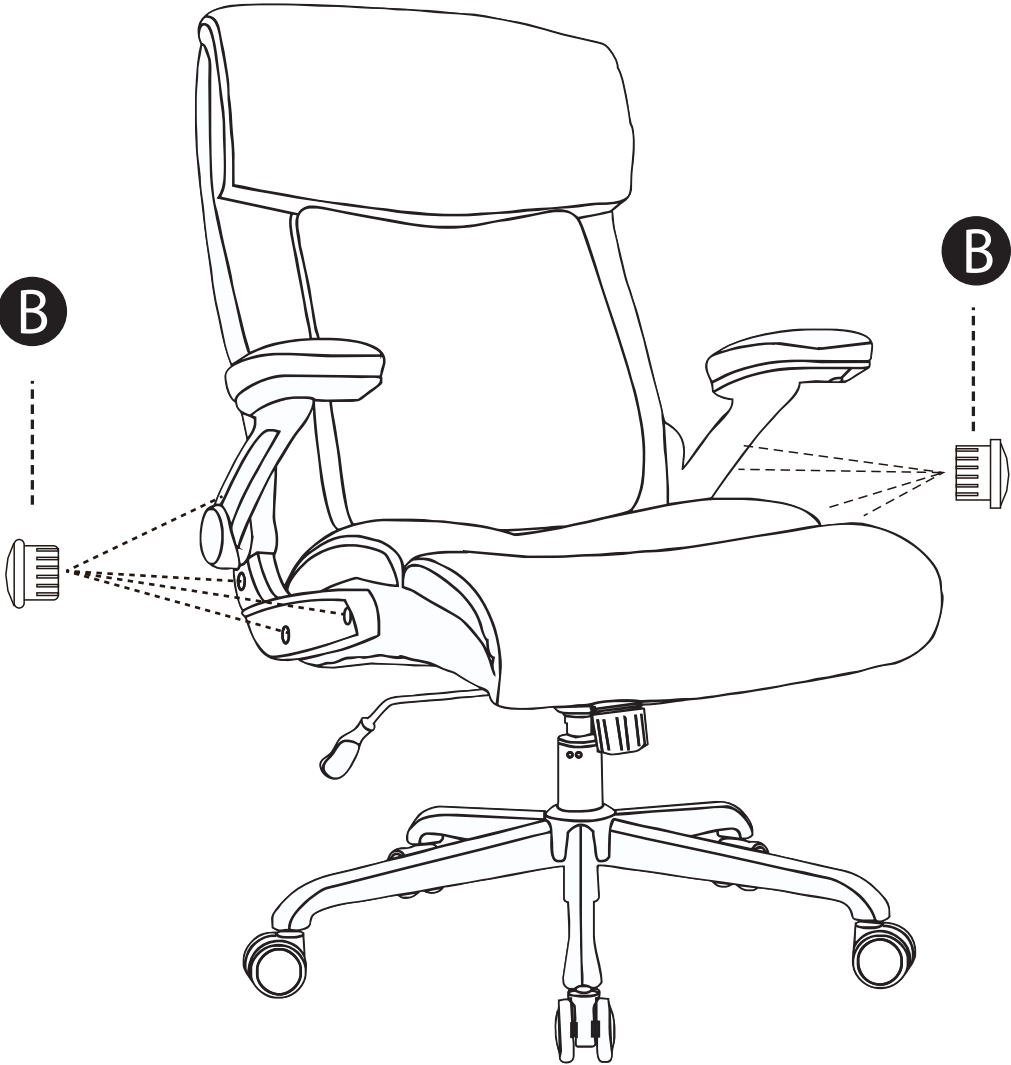
Step 6:



Step 7:



Step 8:



Step 9:

